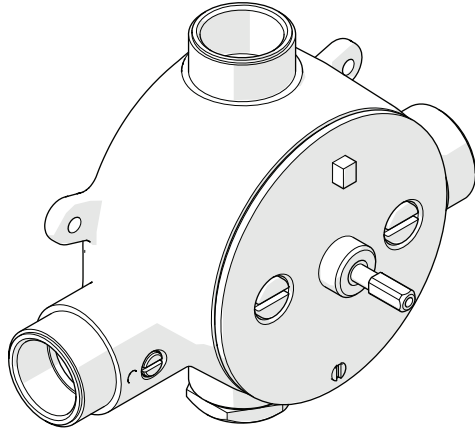


UNIVERSAL  
3/4" THERMOSTATIC VALVE

# Installation Guidelines

STYLE No. GUTH37 †  
CODE No. GUSV37R



**SPECIFICATIONS:**

Fittings Hole Diameter: Ø5-1/4" [Ø133mm]\*  
 Inlet and Outlet Connection: 3/4" Female NPT †  
 Unrestricted Max Flow Rate @ 45psi [3bar]: 15gpm [56L/min]  
 Valve Material: Bi-Metallic Strip  
 Water Pressure Maximum: 85psi [6.0bar]  
 Water Pressure Minimum: 20psi [1.5bar]  
 Water Pressure Recommended: 45psi [3.0bar]

- \* Ø5-1/4" [Ø133mm] hole is required for servicing.
- † UK Style No. **GU37TH** supplied with 4 **BSP** Adapters, assembly required.

**IMPORTANT:**

- To ensure this VALVE is installed properly, you must read and follow these guidelines.
- The owner/user of this VALVE must keep this information for future reference.
- This VALVE and associated TRIM (SOLD SEPARATELY) must be installed by a professional licensed contractor and must be on-site prior to rough-in, this allows the installer to visualize the installation. The VALVE rough-in depth is measured from the center of the inlets to the surface of the finished wall and **VARIES** depending on the TRIM being used.
- Inspect this VALVE to ensure you have all the parts required for proper installation. This VALVE is sold partially assembled but shown fully disassembled for illustrative and service purposes only.
- This THERMOSTATIC VALVE only mixes hot and cold water and does not have volume control or shut off capabilities. A diverter or wall valve controls on/off/volume and must be installed for each fitting that will have water flowing to it. (ALL VALVES SOLD SEPARATELY)
- This VALVE features anti-scald protection. The risk of scalding exists until the installer had properly calibrated/adjusted the temperature setting during final TRIM installation.

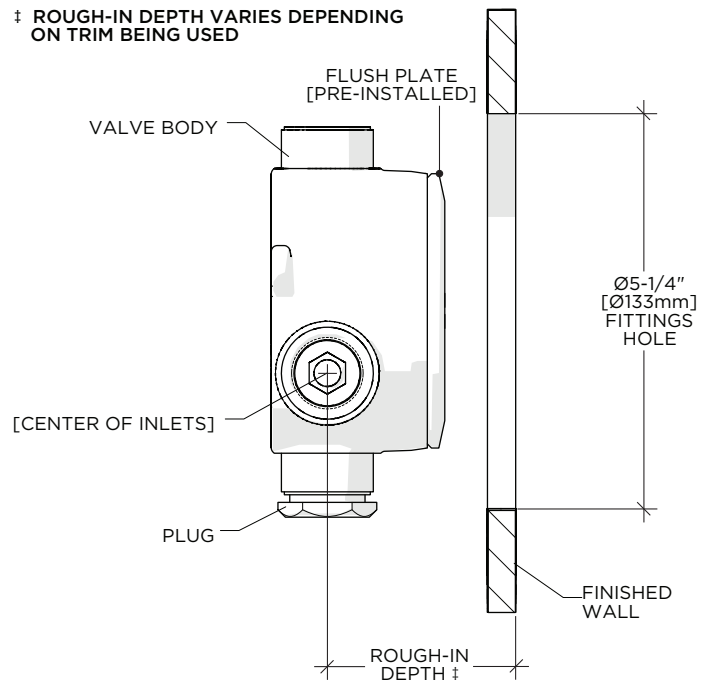
- Be sure your installation conforms to federal, state, and local codes. In the State of Massachusetts, all installations must comply with the rules and regulations set forth within 248 CMR.
- Supply fittings are designed in accordance with pressure and temperature ratings specified in ASME A112.18.1/B125.
- If this VALVE will remain unused for an extended period of time (over 3 months), then the water to the VALVE should be shut off (via service stops or system control valve) and the diverter or wall valves should be opened to allow the water in the THERMOSTATIC VALVE to evaporate. This is to keep the CARTRIDGE from being exposed to stagnant or hard water, which can cause the VALVE to malfunction.

**ROUGH-IN:**

- **CAUTION: Refer to the Installation Guidelines of the specific TRIM being used for the MAXIMUM and MINIMUM rough-in depth dimensions.**

- **CAUTION:** The VALVE rough-in depth is measured from the center of the inlets to the surface of the finished wall (see Figure - 01) and varies depending on the TRIM used.

† **ROUGH-IN DEPTH VARIES DEPENDING ON TRIM BEING USED**



**FIGURE - 01**

- If soldering any connections, make sure the CARTRIDGE is removed to prevent damage to the SEALS and internal components.
- This VALVE is packaged with a pre-installed FLUSH PLATE and the THERMOSTATIC CARTRIDGE is packaged separately.
- This VALVE includes integrated SERVICE STOPS. Make sure the TILE GUARD is in place to ensure future access for servicing.

These guidelines have been prepared for the professional contractor to aid in the installation of:  
**UNIVERSAL 3/4" THERMOSTATIC VALVE (STYLE NO. GUTH37, GU37TH).**  
 All dimensions are based on original specification and are subject to change and variation.  
 Please consult your Design Associate for current specifications.

**WATERWORKS**

UNIVERSAL  
3/4" THERMOSTATIC VALVE

# Installation Guidelines

1. Make sure the VALVE BODY is positioned according to **valve markings** so the inlets are situated with hot piped on the left and cold piped on the right. See Figure - 02.

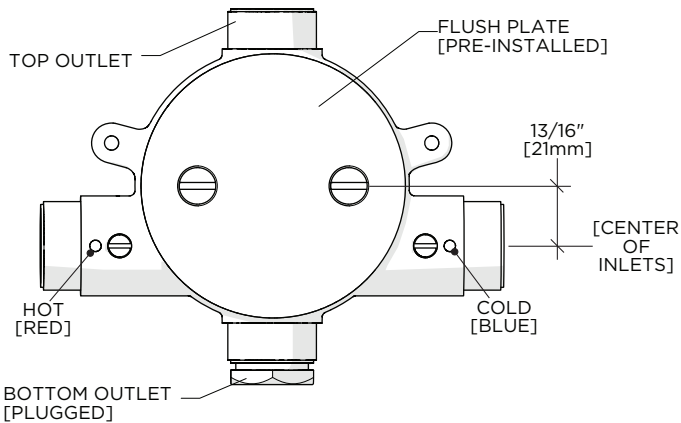


FIGURE - 02

- See Figure - 03 for steps 2 -5.

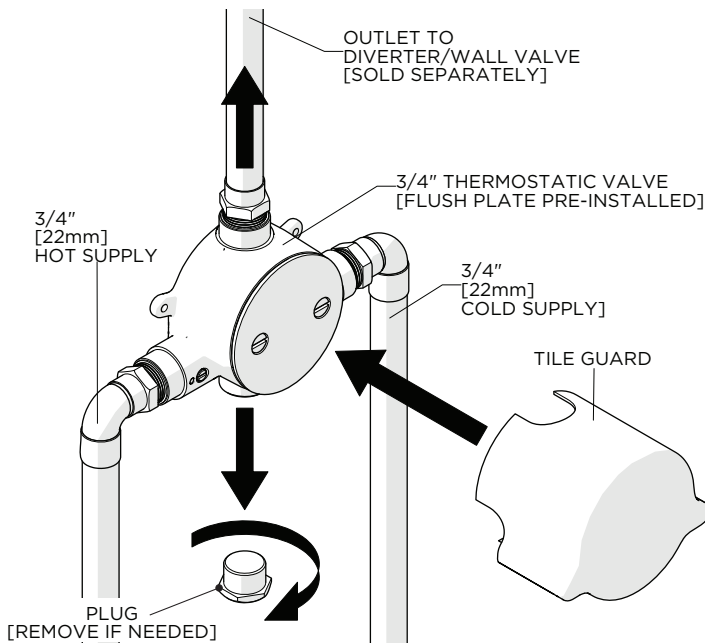


FIGURE - 03

2. Run 3/4" [22mm] copper supply lines to the proper height of the VALVE INLETS and be sure to secure all piping and fittings.
3. For each fitting that will have water flowing to it, install a diverter or wall valve according to the flow direction arrow marked on the valve.

**CAUTION:** The rough-in depth of the diverter or wall valve **ALSO** varies depending on the TRIM being used. Refer to the Installation Guidelines of the specific TRIM and VALVE being used for rough-in and other related information.

4. The bottom port of the VALVE BODY has a pre-installed PLUG that can be removed so the bottom port can be used to supply water to other fittings.

5. Install the TILE GUARD to protect the CARTRIDGE during the completion of the finished wall and to create the exact opening to ensure access to the SERVICE STOPS for future servicing.

**FLUSH OUT THE SYSTEM:**

- **Before installing the CARTRIDGE, the supply lines must be flushed out to prevent clogging of the FILTER SCREENS. Failure to flush the lines will permanently damage the CARTRIDGE and VOID the warranty. The VALVE is shipped with a pre-installed FLUSH PLATE and is ready for flushing the lines. Repeat this process as needed prior to final TRIM installation.**
- See Figure - 04 for steps 6 - 9.

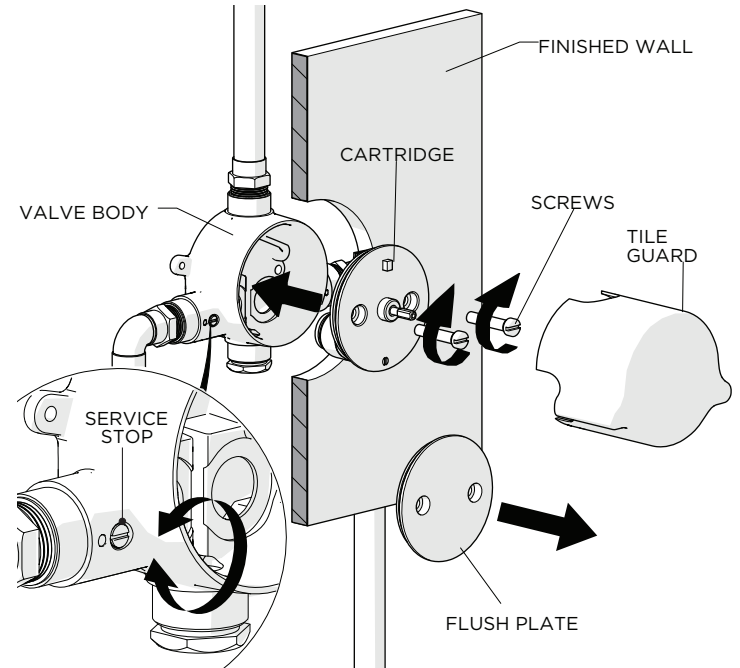


FIGURE - 04

6. Turn on the water supply and open the SERVICE STOPS to flush out the lines then inspect all connections for leaks.
7. After the lines are flushed, turn off the water supply and close the SERVICE STOPS.
8. Unthread the COVER SCREWS and remove the FLUSH PLATE then install the CARTRIDGE using the COVER SCREWS.
9. Re-attach the TILE GUARD to protect CARTRIDGE until construction is completed.

- If further assistance is required, please contact Product Support at 1-800-927-2120 Monday through Friday, 8am - 6pm EST.
- Refer to the separate Service Parts Documents for available replacement parts.

† BSP Adapter can be ordered separately:

STYLE No. UNUK01  
ITEM No. 45-22566-33137

These guidelines have been prepared for the professional contractor to aid in the installation of: UNIVERSAL 3/4" THERMOSTATIC VALVE (STYLE NO. GUTH37, GU37TH). All dimensions are based on original specification and are subject to change and variation. Please consult your Design Associate for current specifications.

WATERWORKS