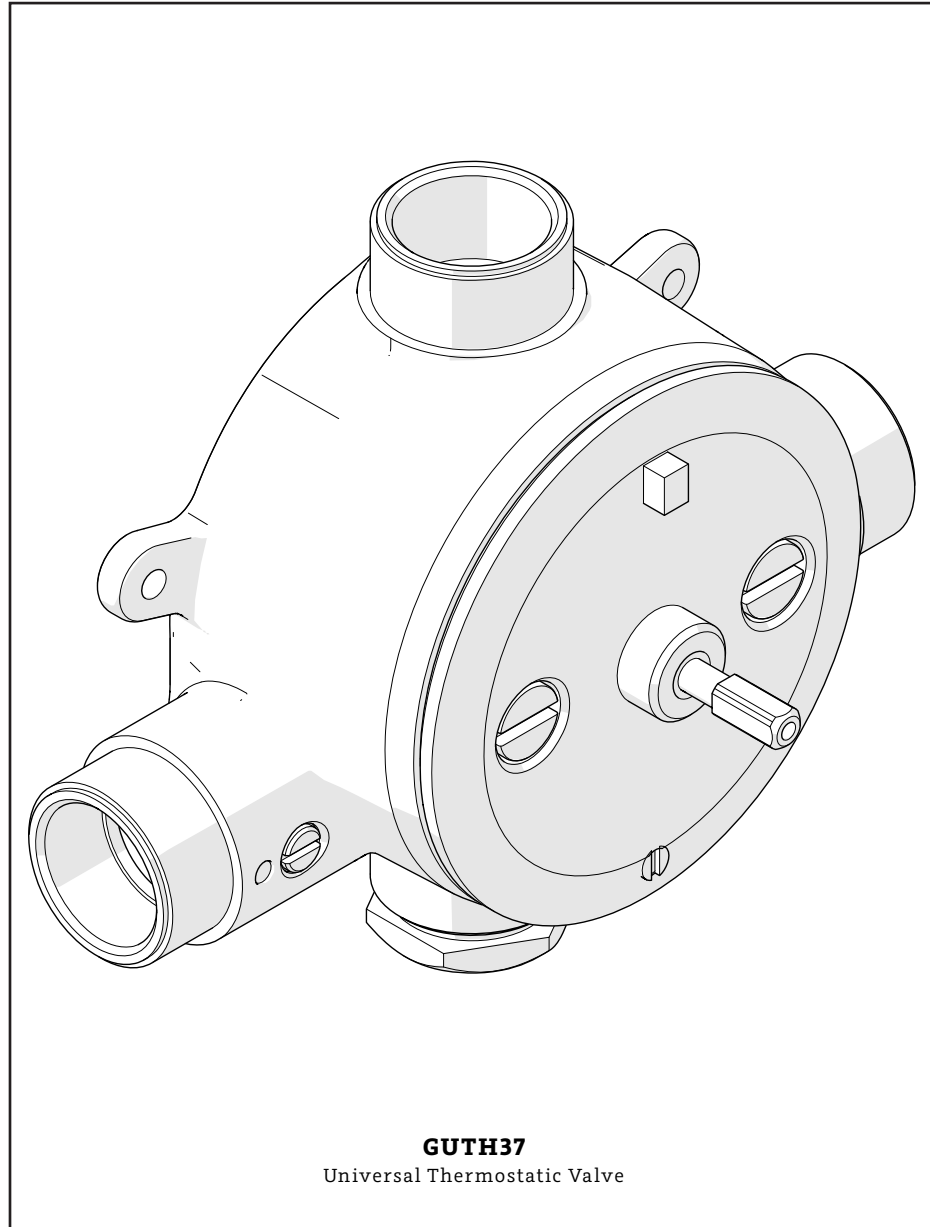




ESTB. 1978

WATERWORKS SERVICE PARTS



GUTH37

Universal Thermostatic Valve

WELCOME TO

WATERWORKS

For over three decades, Waterworks has transformed the bath through an absolute commitment to design authenticity, innovation and quality. A blend of scholarly appreciation and applied experience guarantees mechanical integrity, meticulous craftsmanship, and timeless designs.

**TO ORDER PARTS CALL
1 (800) 927-2120 (EXT 2)**

Order by part number and specify color, finish, or other options if required.

PRODUCT SUPPORT

Our Product Support team provides troubleshooting and technical problem resolution, including replacement parts and installation recommendations throughout the life of your product.

Product Support is available Monday through Friday, 8AM-6PM. EST.

**LIMITED LIFETIME
WARRANTY**

Our warranty covers repair and replacement of Waterworks products if within the applicable coverage period and deemed defective by Waterworks. Waterworks will, at its option, repair or replace such products; this does not include installation costs, labor charges, or other incidental or consequential costs.

To obtain your complete warranty or inquire about warranty service, please visit us at www.waterworks.com or contact our Product Support Team.



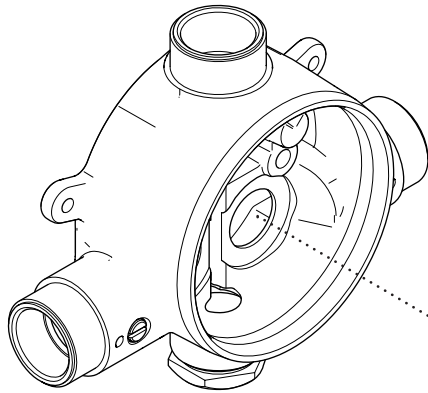
ESTB. 1978

WATERWORKS

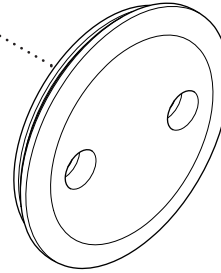
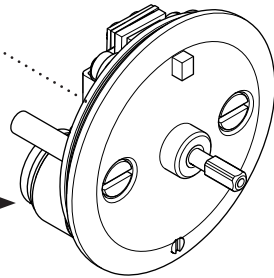
MAIN KITS

STYLES: GUTH37

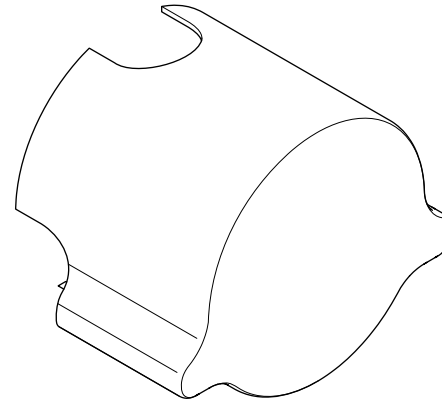
*FINISH/COLOR MUST BE SPECIFIED WHEN ORDERING
++SUPPLIED AS A PAIR



855191
3/4" THERMO CARTRIDGE



337012
THERMO FLUSH COVER PLATE



601814
TILE GUARD FOR 3/4" THERMO

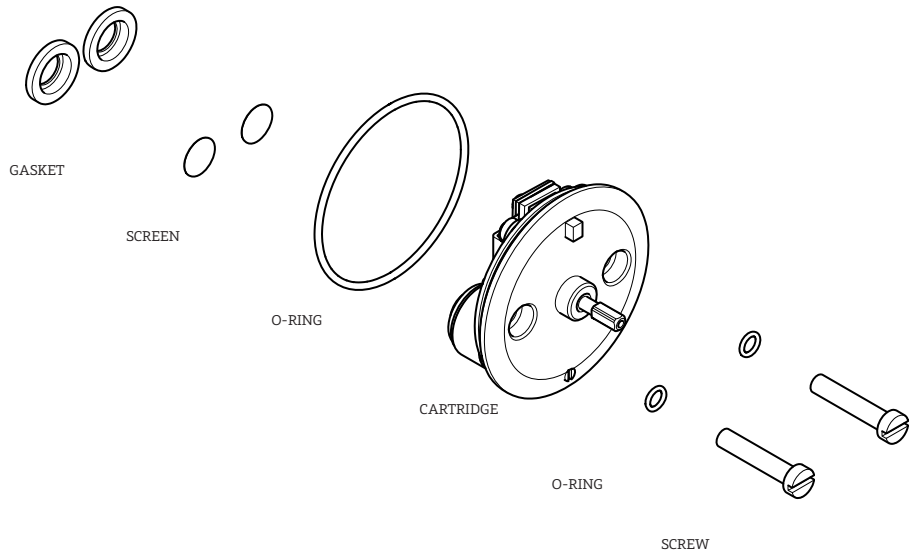
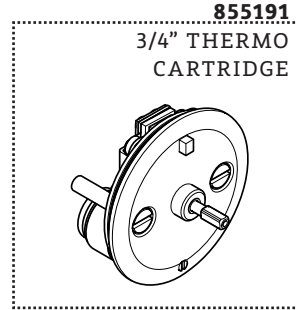


ESTB. 1978

WATERWORKS

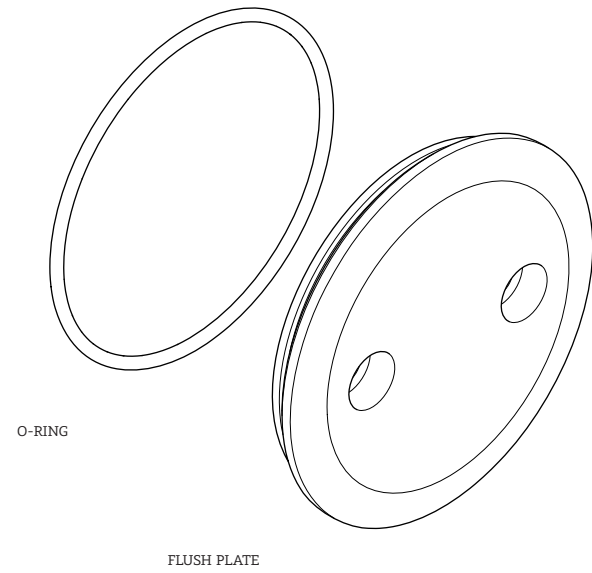
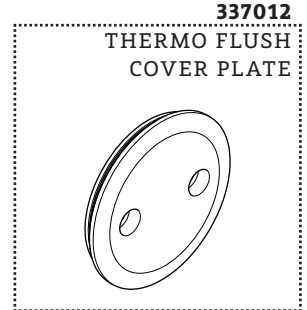
KIT COMPONENTS

STYLES: GUTH37



*FINISH/COLOR MUST BE SPECIFIED WHEN ORDERING
++SUPPLIED AS A PAIR

KIT COMPONENTS





ESTB. 1978

W A T E R W O R K S

STYLES: GUTH37

SERVICE PARTS INDEX

<u>STYLE</u>	<u>DESCRIPTION</u>	<u>PG</u>
855191	3/4" THERMO CARTRIDGE	4
337012	THERMO FLUSH COVER PLATE	5
601814	TILE GUARD FOR 3/4" THERMO	3

*FINISH/COLOR MUST BE SPECIFIED WHEN ORDERING
++SUPPLIED AS A PAIR

NOTES

DOCUMENT: SPGU01_REV01



ESTB. 1978

WATERWORKS

NOTES

STYLES: GUTH37

*FINISH/COLOR MUST BE SPECIFIED WHEN ORDERING
++SUPPLIED AS A PAIR

NOTES



ESTB. 1978

WATERWORKS

PRODUCT SUPPORT

60 BACKUS AVENUE
DANBURY, CT 06810

1 (800) 927-2120 (EXT 2)

WWW.WATERWORKS.COM