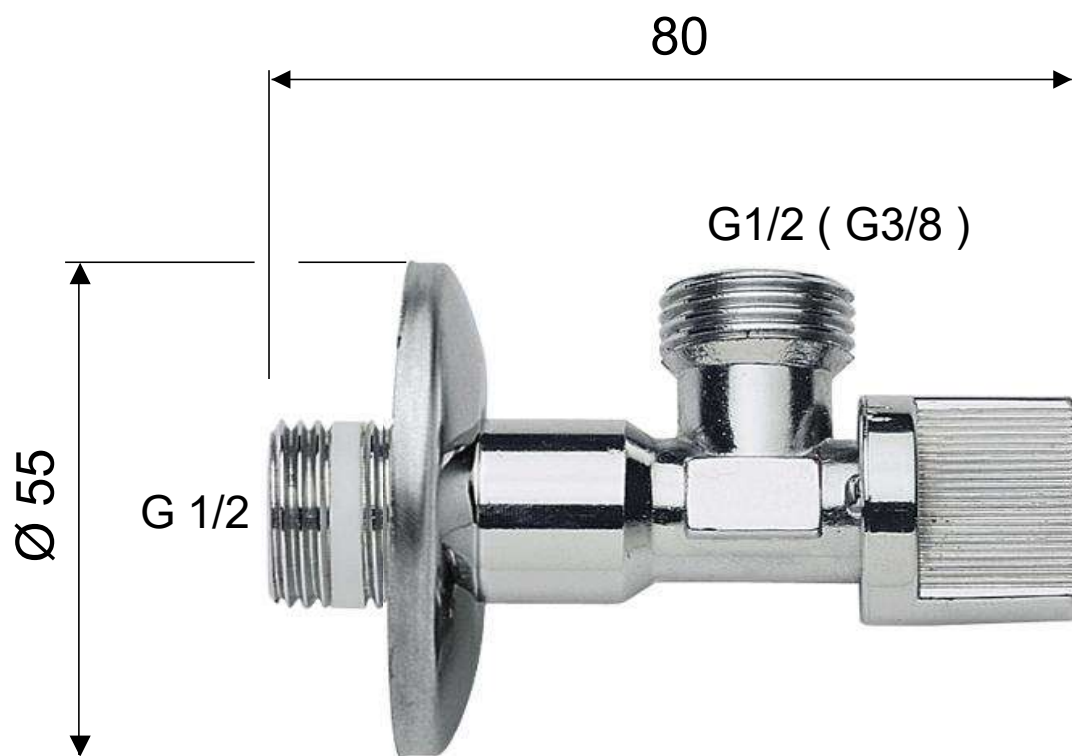


ART. COD. **A606**



Rubinetto a sfera con guarnizione in PTFE
C.P. brass ball valve with PTFE washer

MATERIALI / MATERIALS

OTTONE CROMATO / CHROME PLATED BRASS CW617N - CW614N

CROMATURA / CHROME PLATING

UNI EN 248