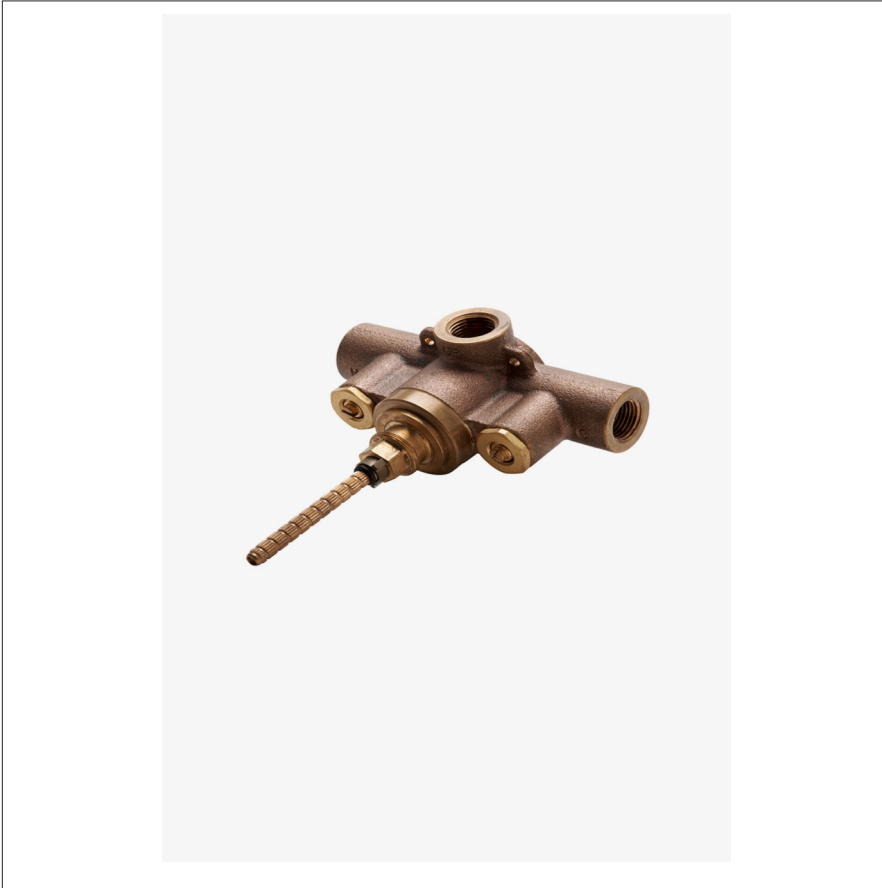


UNIVERSAL

Universal 1/2" Thermostatic Valve

GUTH56



SHOWN IN FITTINGS FINISHING DETAILS

TECHNICAL DETAILS

ADA Compliance: Yes

Fittings Hole Diameter: 4 1/2"

Inlet Connection Size: 1/2"

Inlet Connection Type: Female NPT

Outlet Connection Size: 1/2"

Outlet Connection Type: Female NPT

Primary Material: Brass

Safety Warnings: This valve features anti-scald protection. The risk of scalding exists until the installer has properly calibrated/adjusted the temperature setting prior to final trim installation.

Suggested Application: Bath

Valve Material: Wax Element

Water Pressure Maximum: 85.0 psi

Water Pressure Minimum: 20.0 psi

Water Pressure Recommended: 45.0 psi

INSPIRATION

Our Universal collection features timeless designs complementing any of our Waterworks. With a wide range of product, from fittings to accessories, Universal adds exquisite proportion and balance to any environment.

CODES & STANDARDS

Code # GUSV56R: Complies with ASME A112.18.1/CSA B125.1, ASSE 1016, cUPC, and ADA. Certified with IAPMO, State of MA, and WRAS.

PRODUCT FEATURES

For use with Waterworks Studio Thermostatic system trims

1/2" NPT female inlet and outlet with quarter turn functionality

Custom tile guard ensures precise tiling, while providing accessibility in servicing the valve.

7 gpm unrestricted maximum flow at 45 psi

Integrated check valves guarantee there is no crossover of hot or cold water.

CERTIFICATIONS



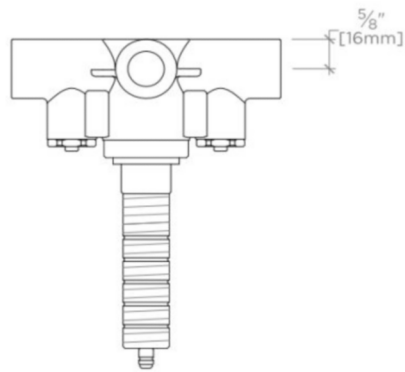
PRODUCT (NOTES)

This valve features anti-scald protection. The risk of scalding exists until the installer has properly calibrated/adjusted the temperature setting prior to final trim installation.

UNIVERSAL

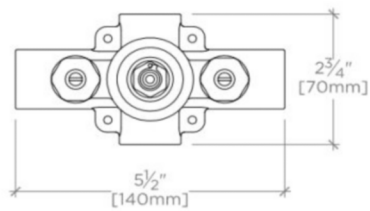
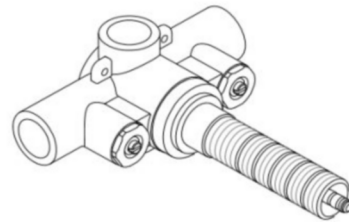
GUTH56

Universal 1/2" Thermostatic Valve



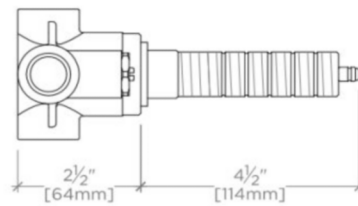
TOP VIEW

SCALE: 3"=1'-0"



FRONT VIEW

SCALE: 3"=1'-0"



SIDE VIEW

SCALE: 3"=1'-0"