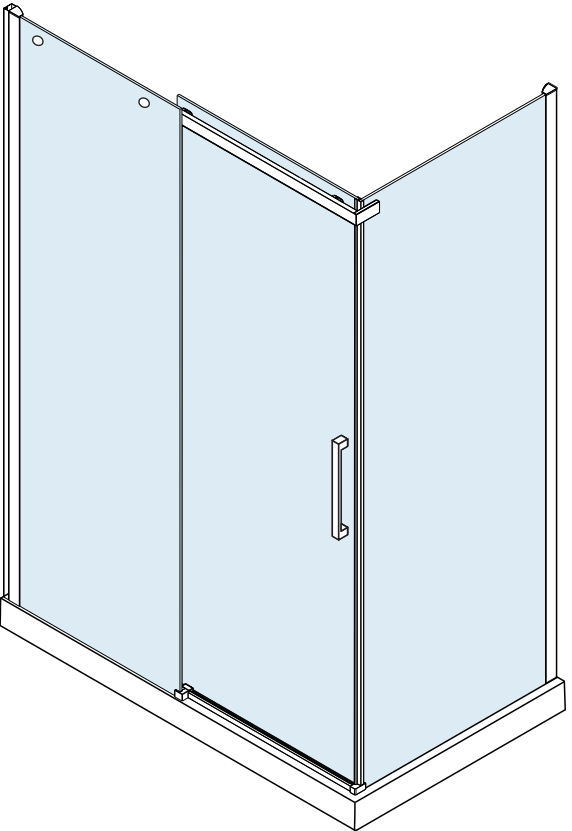




Page 3

SLIDING DOOR WITH SIDE PANEL



Page 15

CE	
Merlyn Industries Ltd (MER13)	
CEBSL 1.1	
18	
EN 14428	
Shower enclosures with aluminium profiles and safety glass	
Cleanability	: Pass
Impact resistance/shatter properties	: Pass
Durability	: Pass

To download the Declaration of Performance (DOP) for this product please use the link below.

<https://merlynshowering.com/aftersales-support/dop-certs/>

For further information please contact IRL: 056 7791 555,UK:08081011429

INSTALLATION GUIDE

IMPORTANT

Thank you for choosing Merlyn. Please familiarise yourself with the fitting instructions before commencing fitting.

- 1 Check that you have the tools required
- 2 Check that the installation site is compatible with size of door supplied
- 3 Check all the enclosure components
- 4 Check that the installation kit is complete

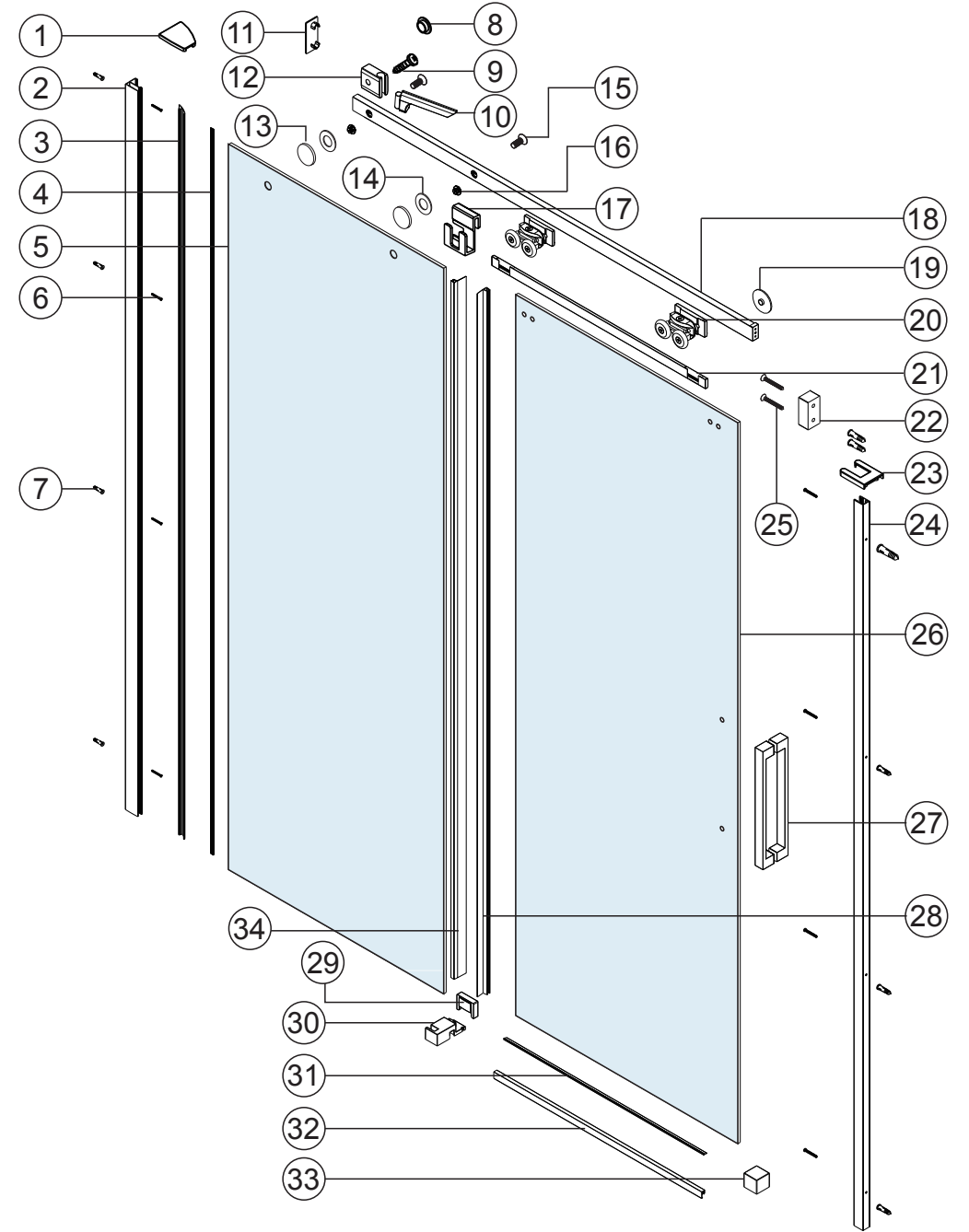
DO NOT attempt to install the product unless you can tick **ALL 4** boxes as satisfactory.

The wall plugs supplied with the installation kit are for use in solid walls. Hollow or 'stud - partition' walls will require alternative fixings. Please consult a hardware supplier for the correct type. It may also be necessary to consult your tiling supplier about the correct method for drilling your tiles.

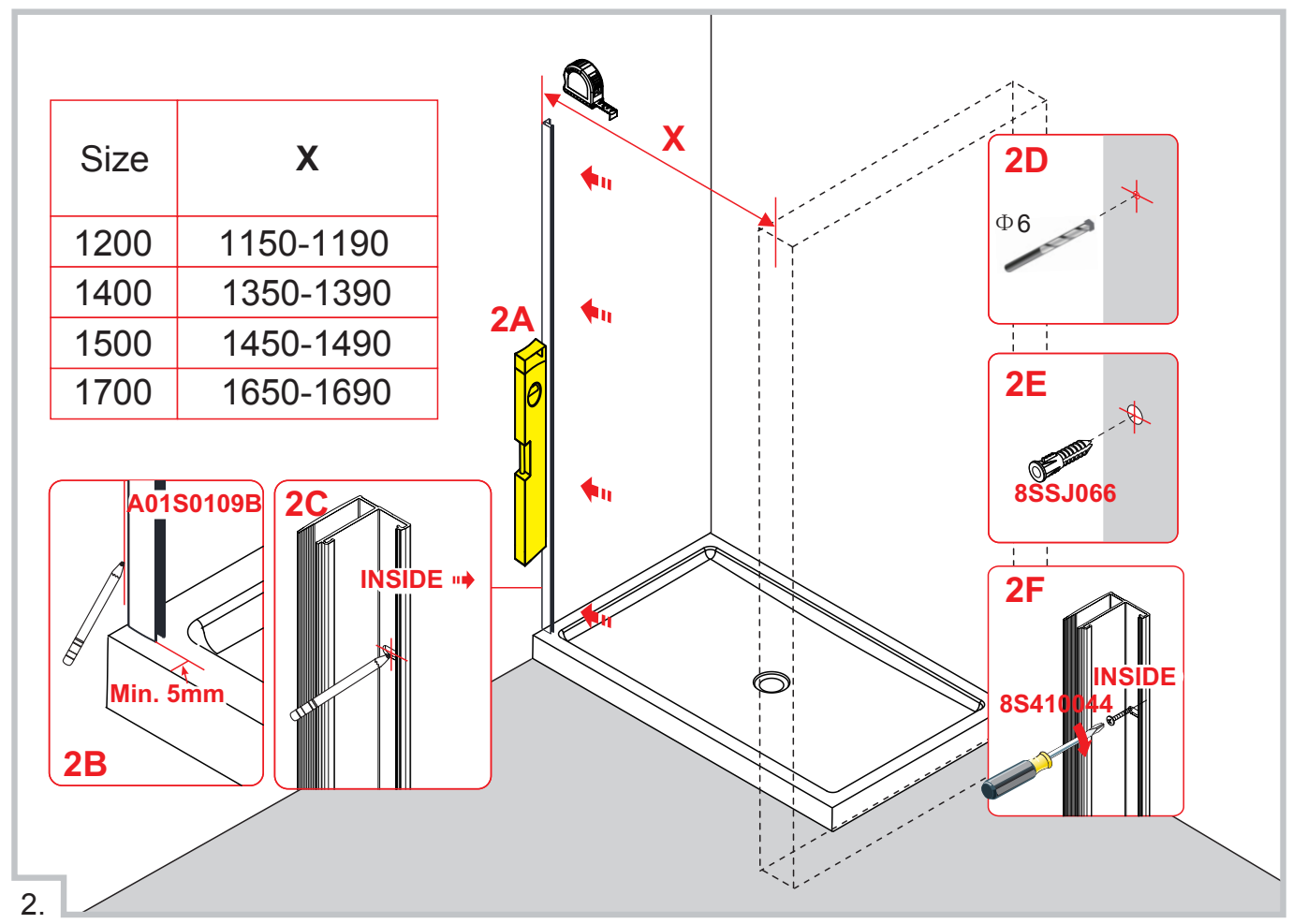
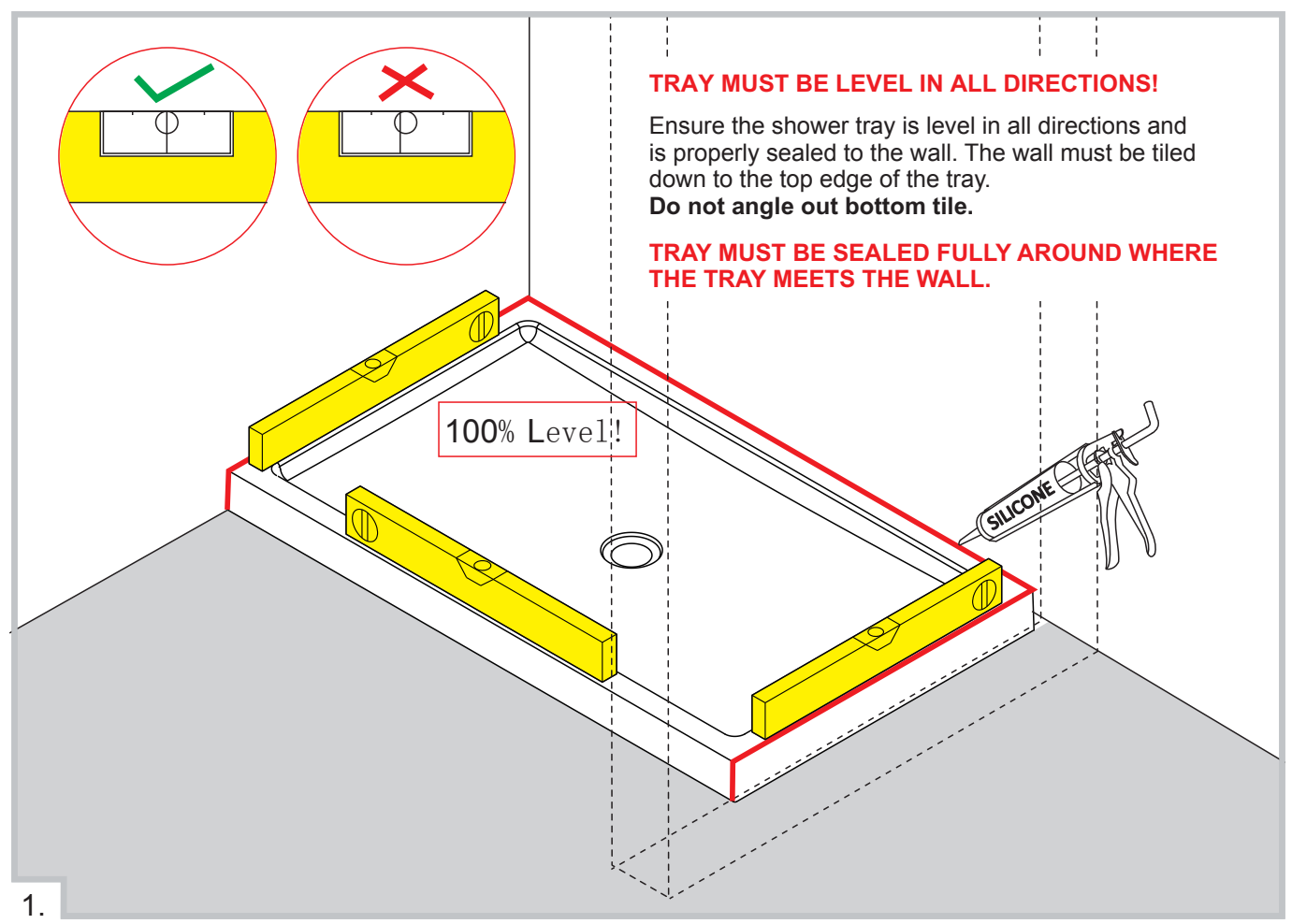
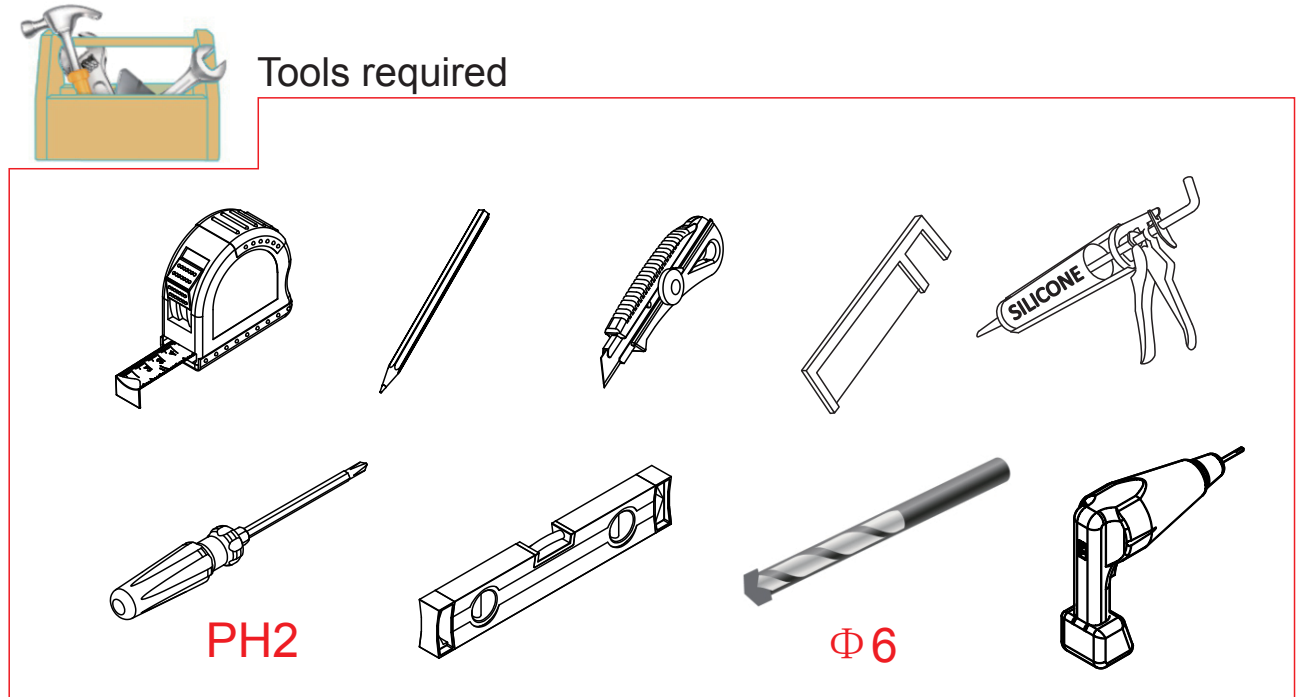
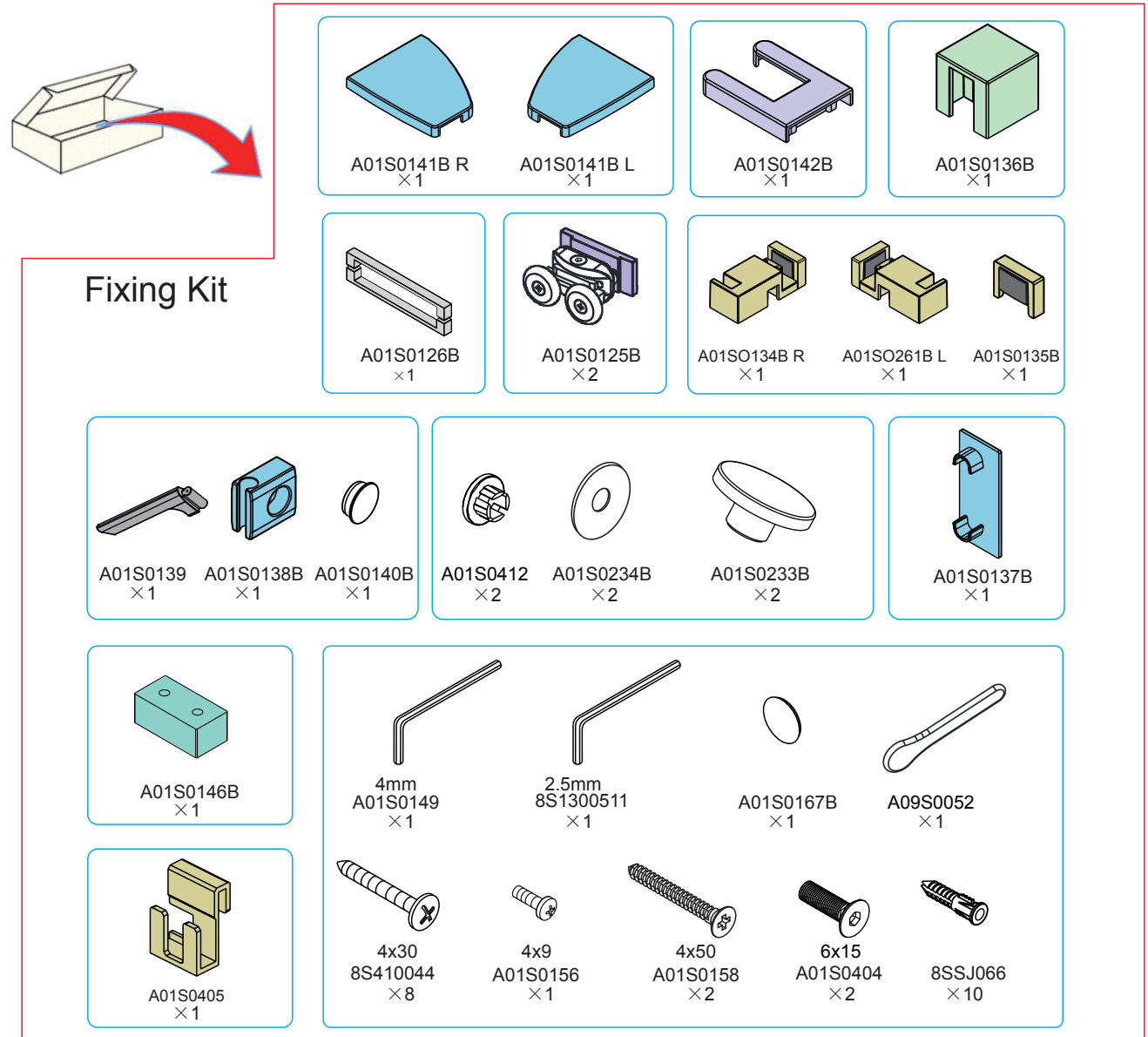
USE SAFETY EYEWEAR WHEN DRILLING

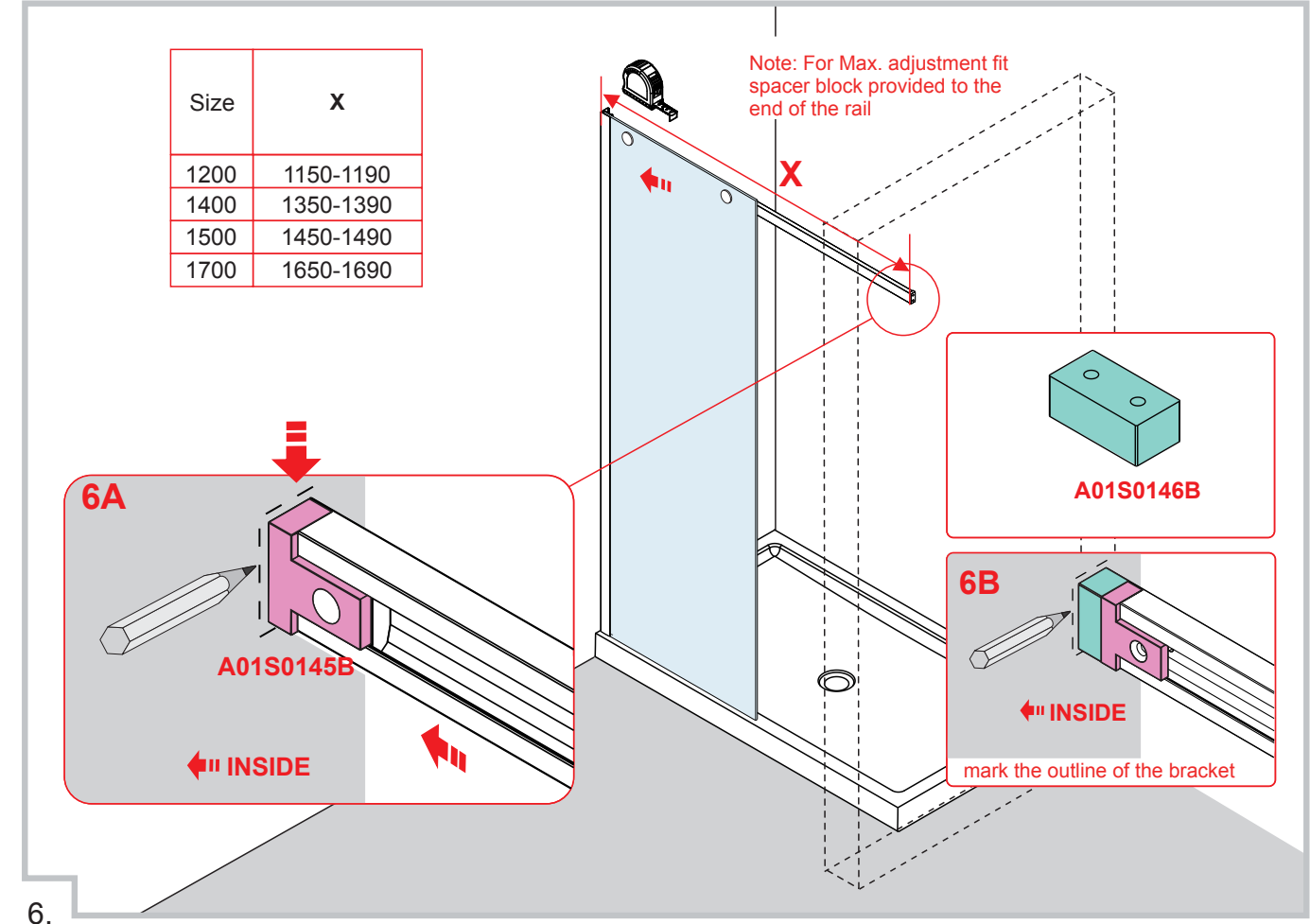
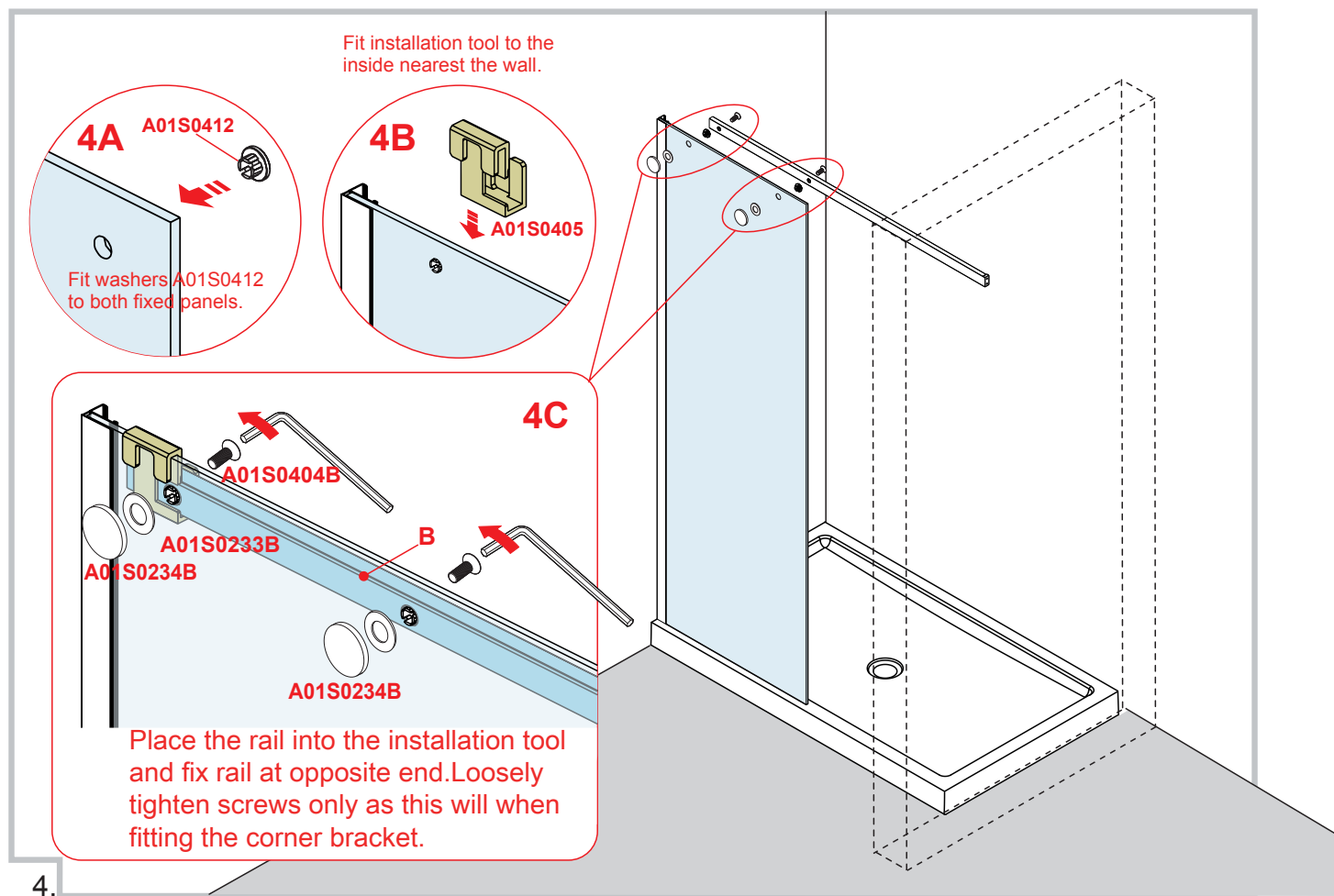
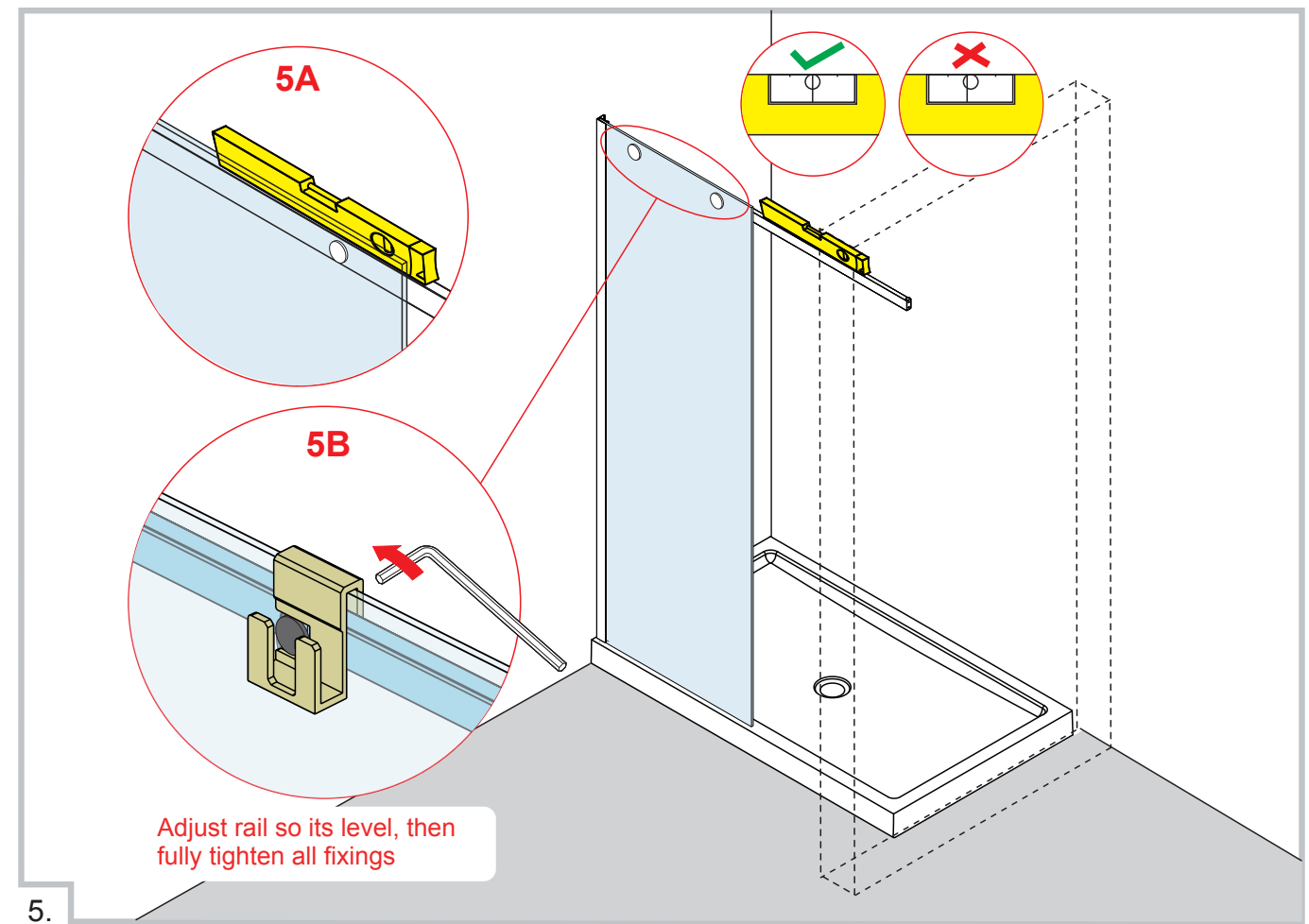
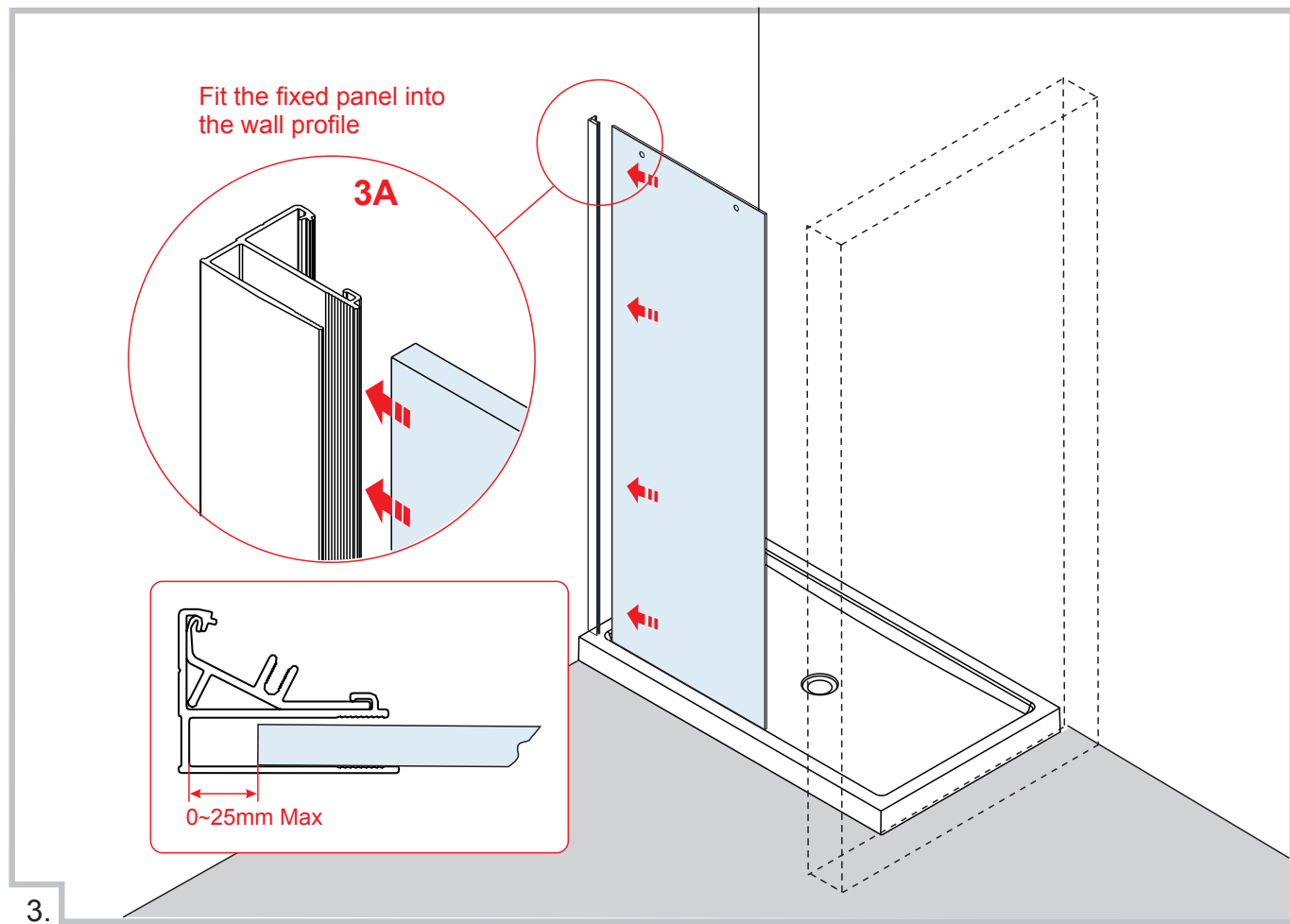
Any parts missing or damaged must be reported to your supplier within 5 days of purchase. Inspect shower enclosure before fitting. No claims will be accepted after product has been installed.

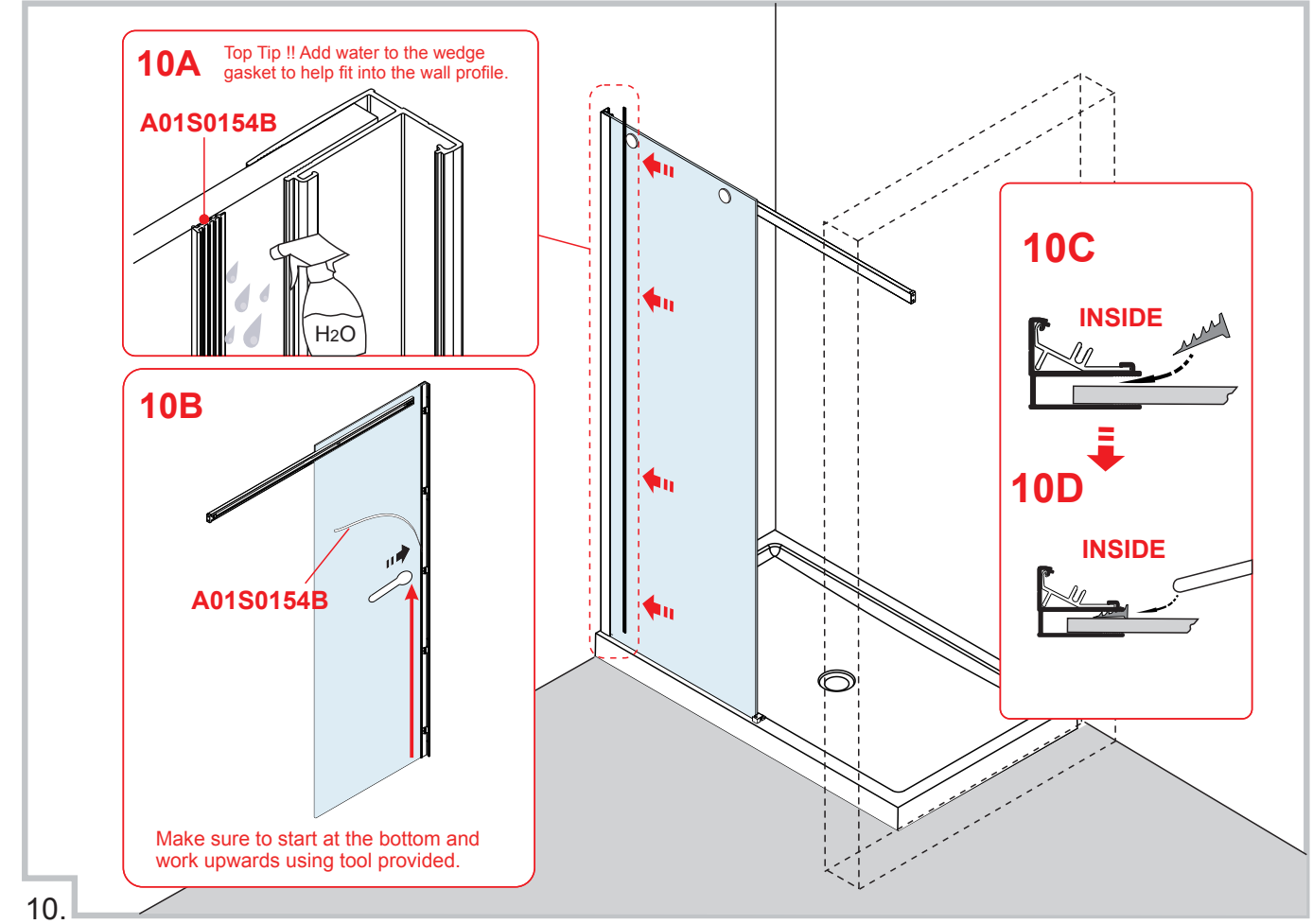
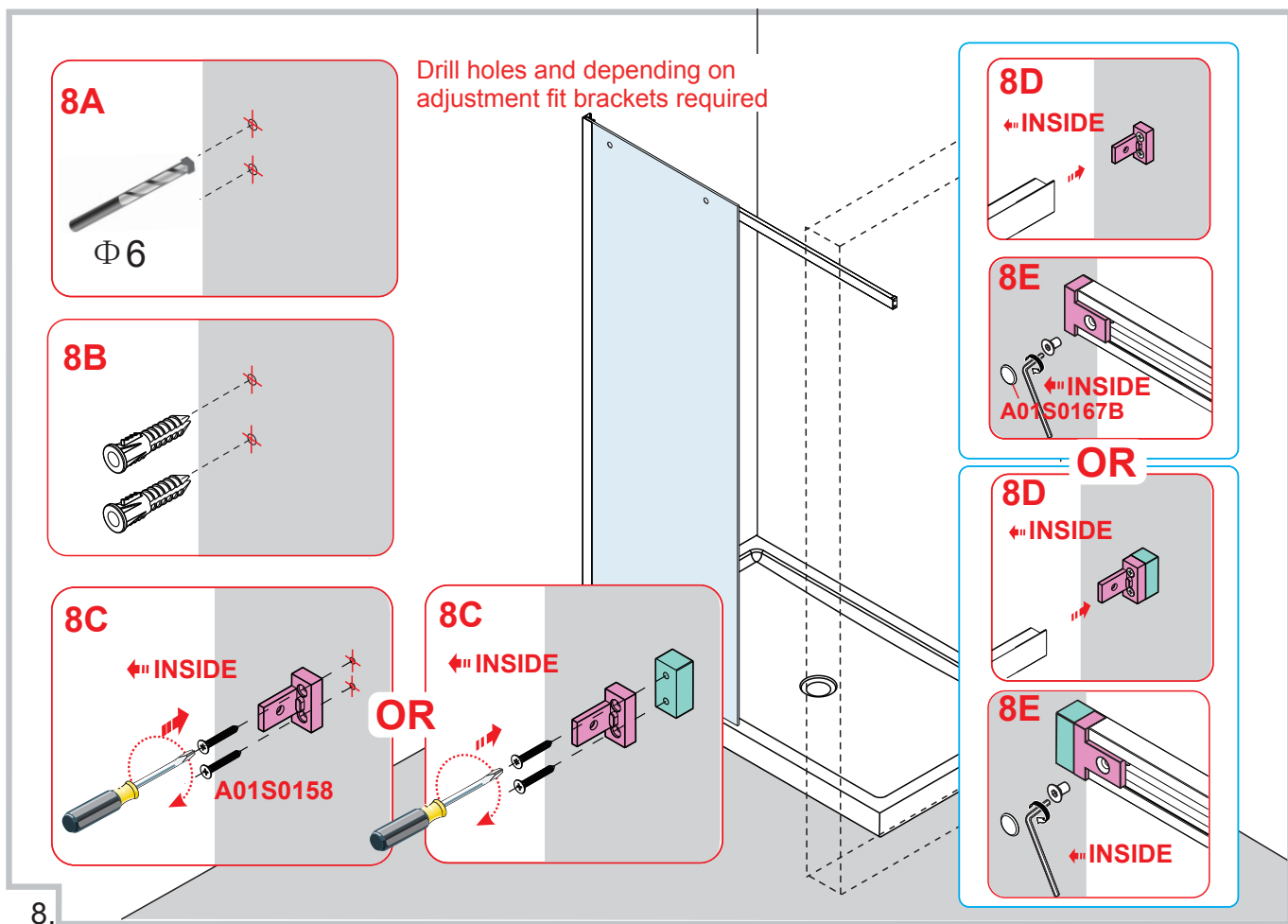
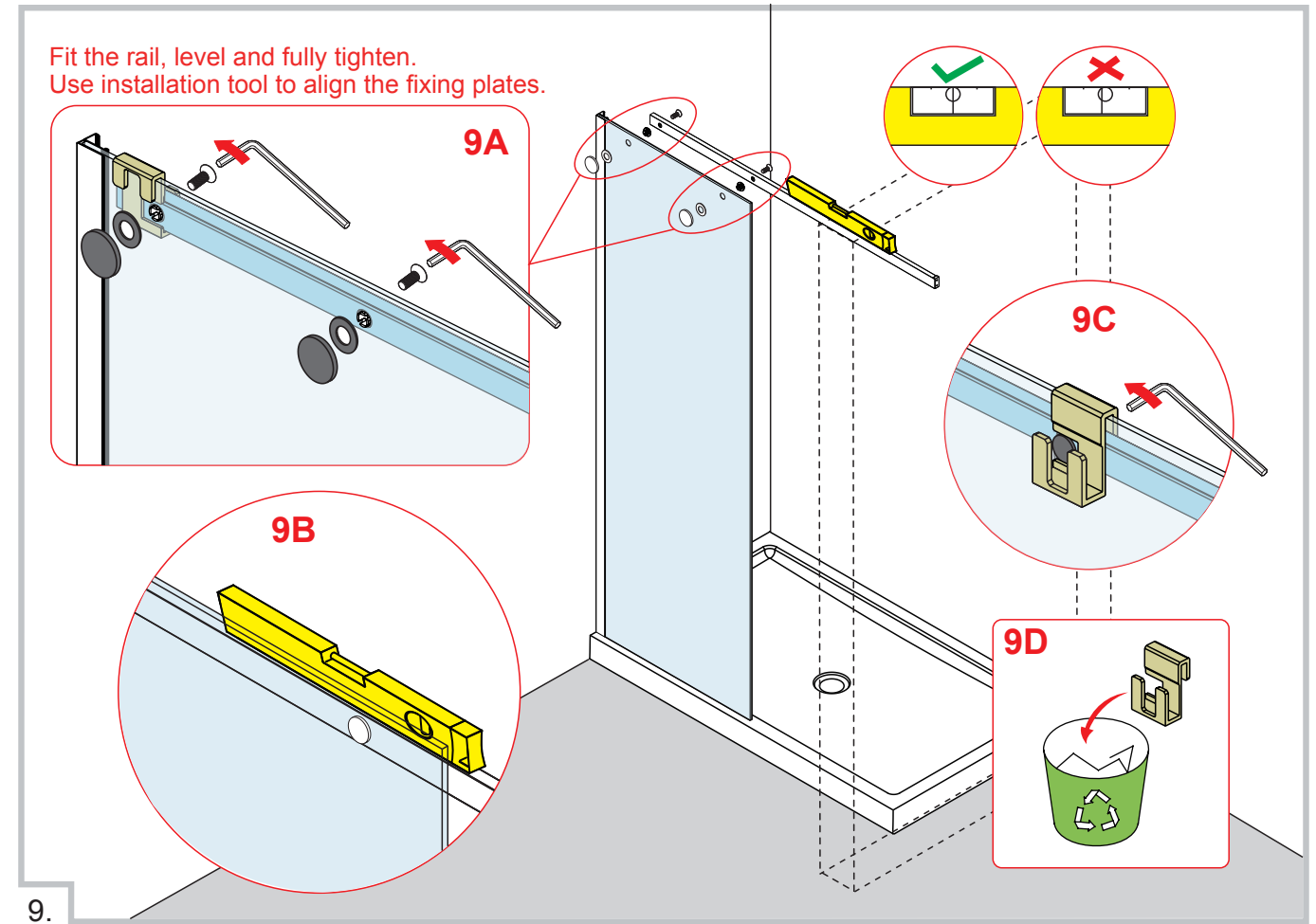
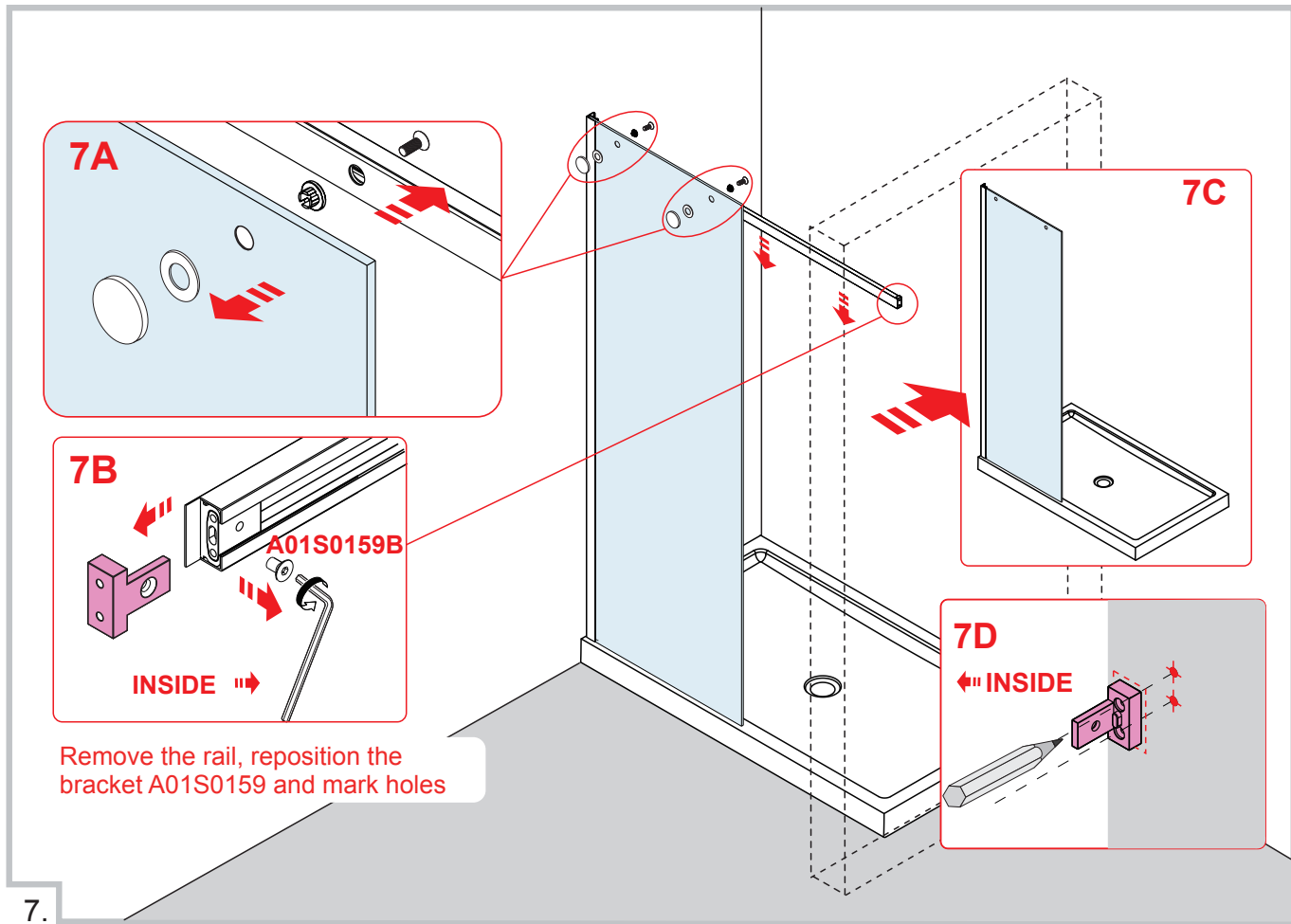
Size	Adjustment	Opening space
1200	1150-1190	465
1400	1350-1390	565
1500	1450-1490	565
1700	1650-1690	565

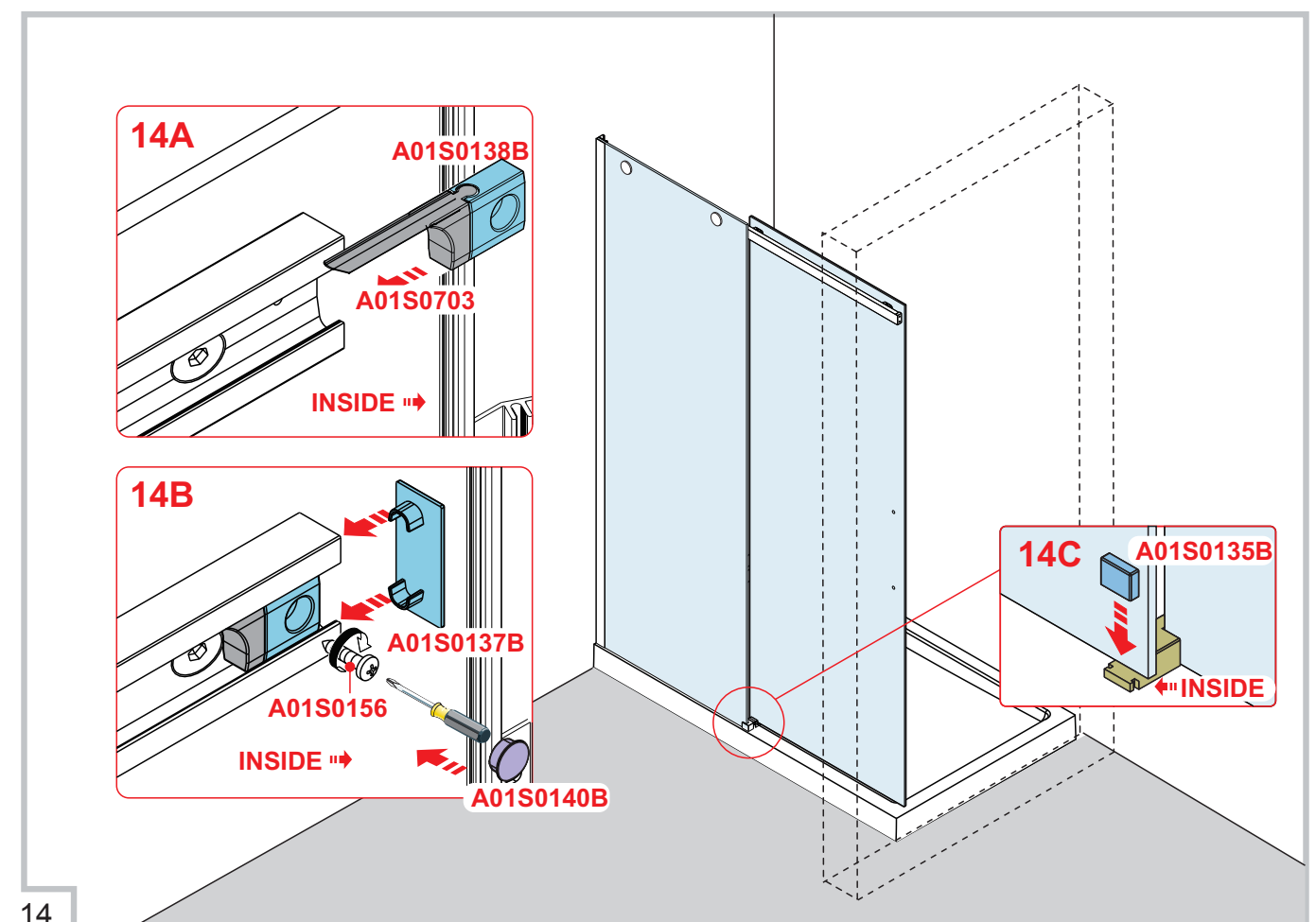
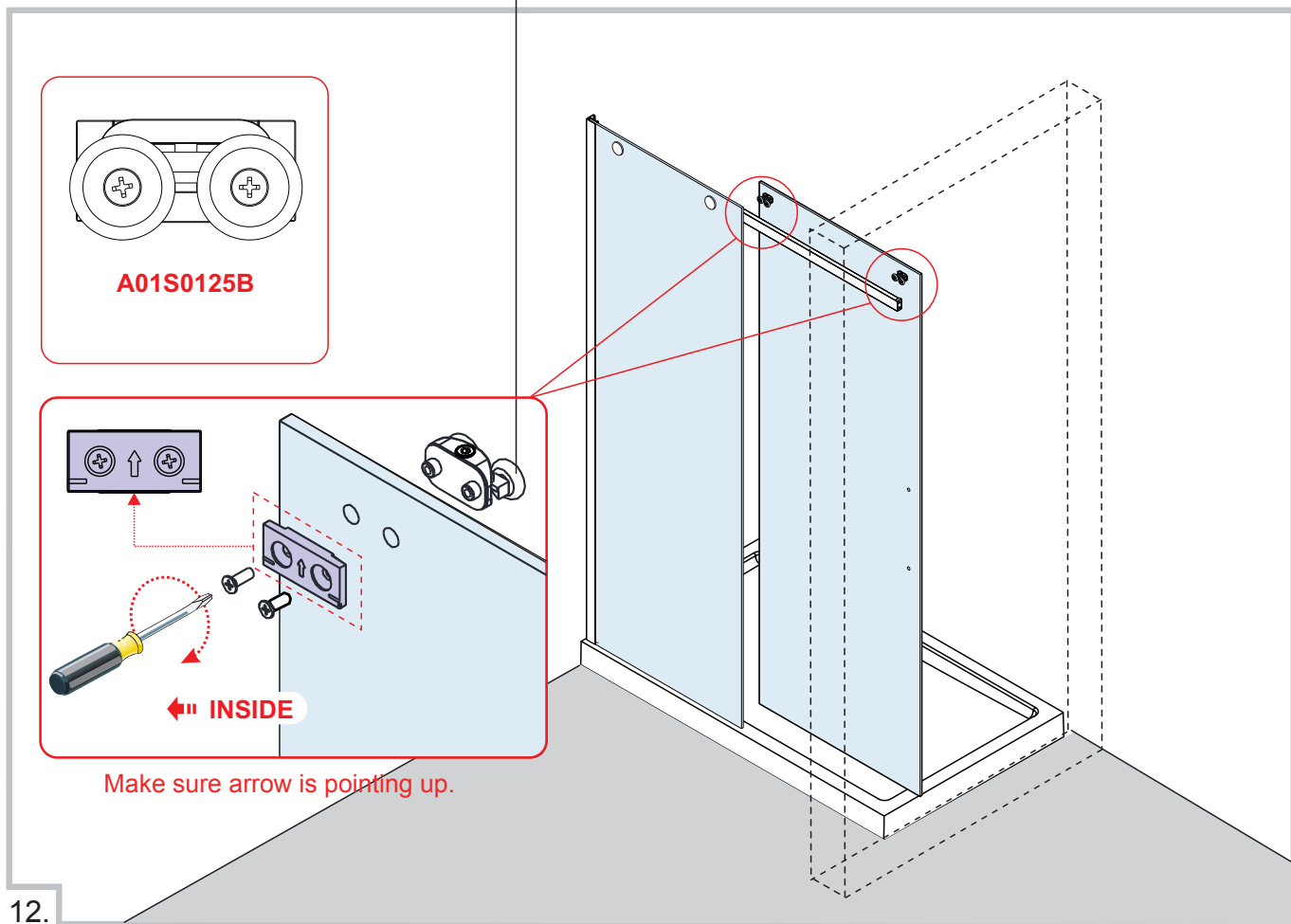
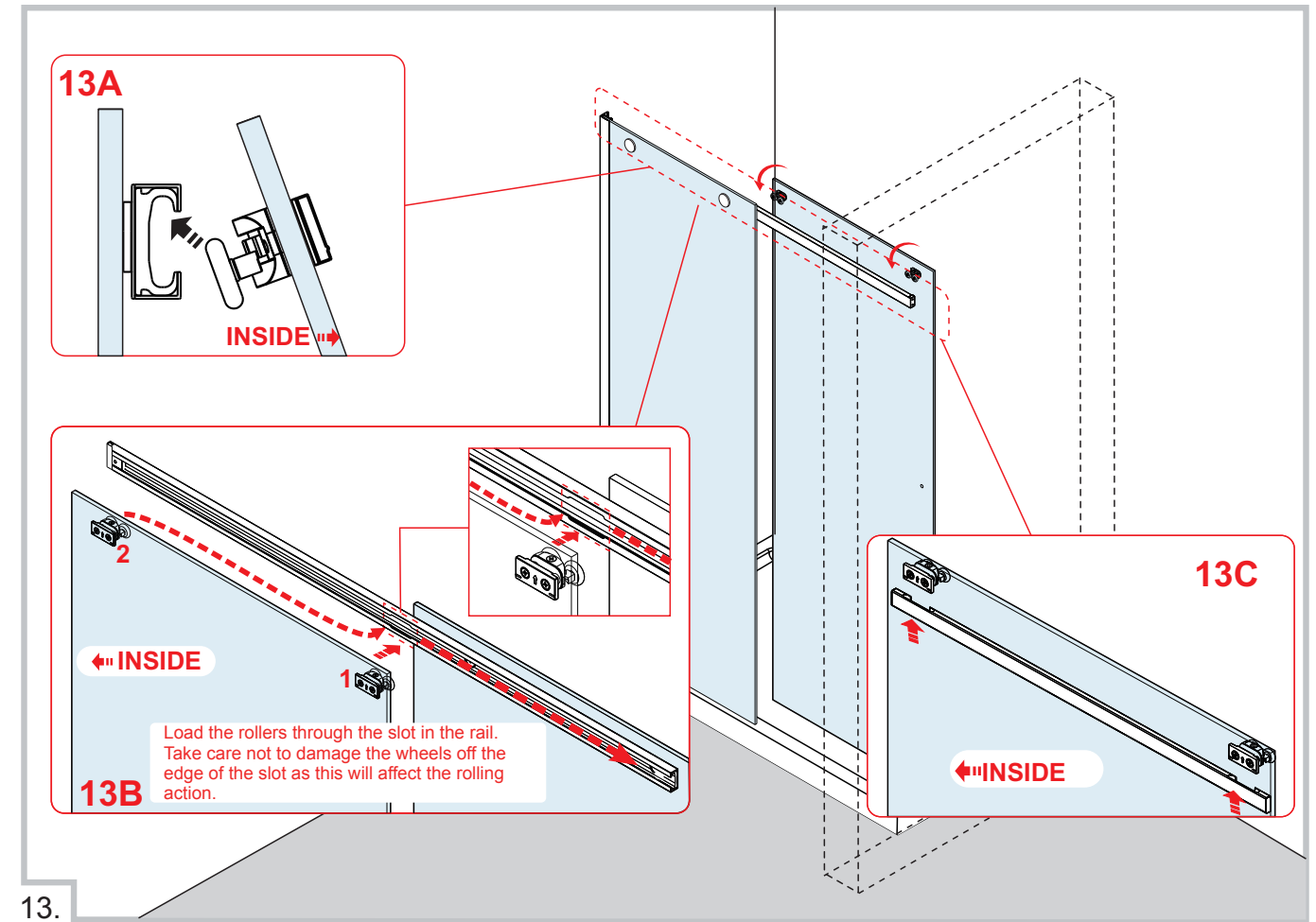
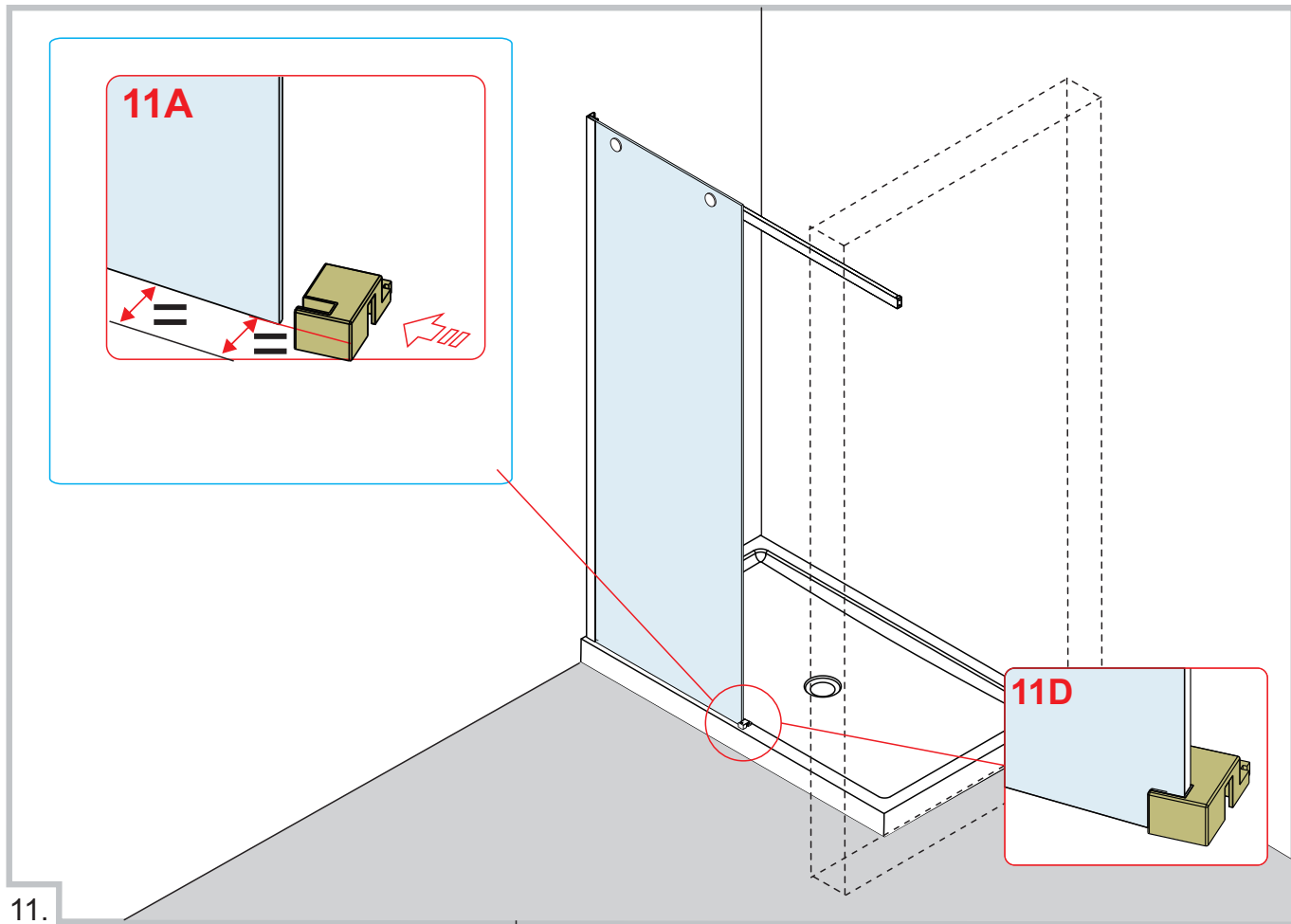


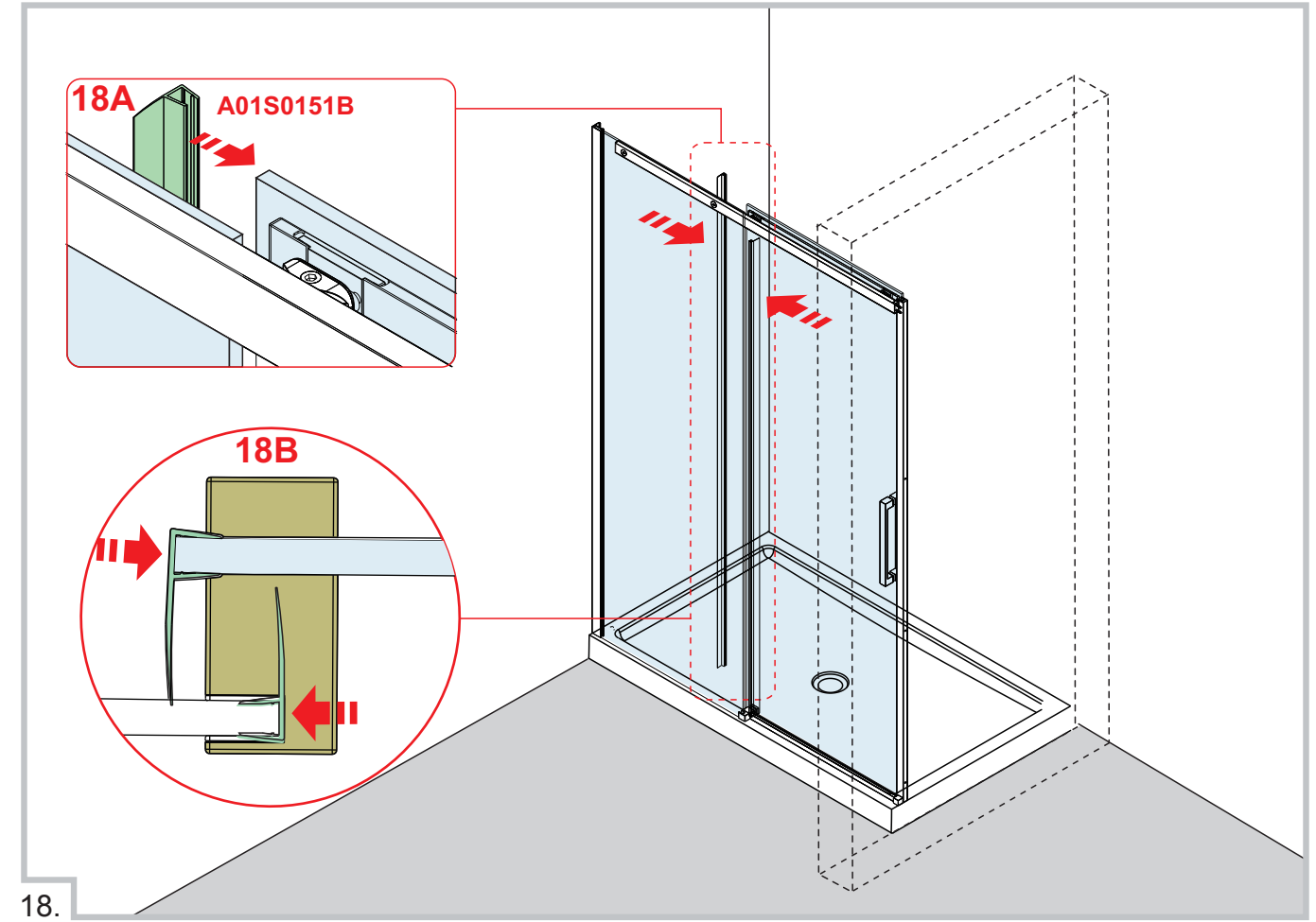
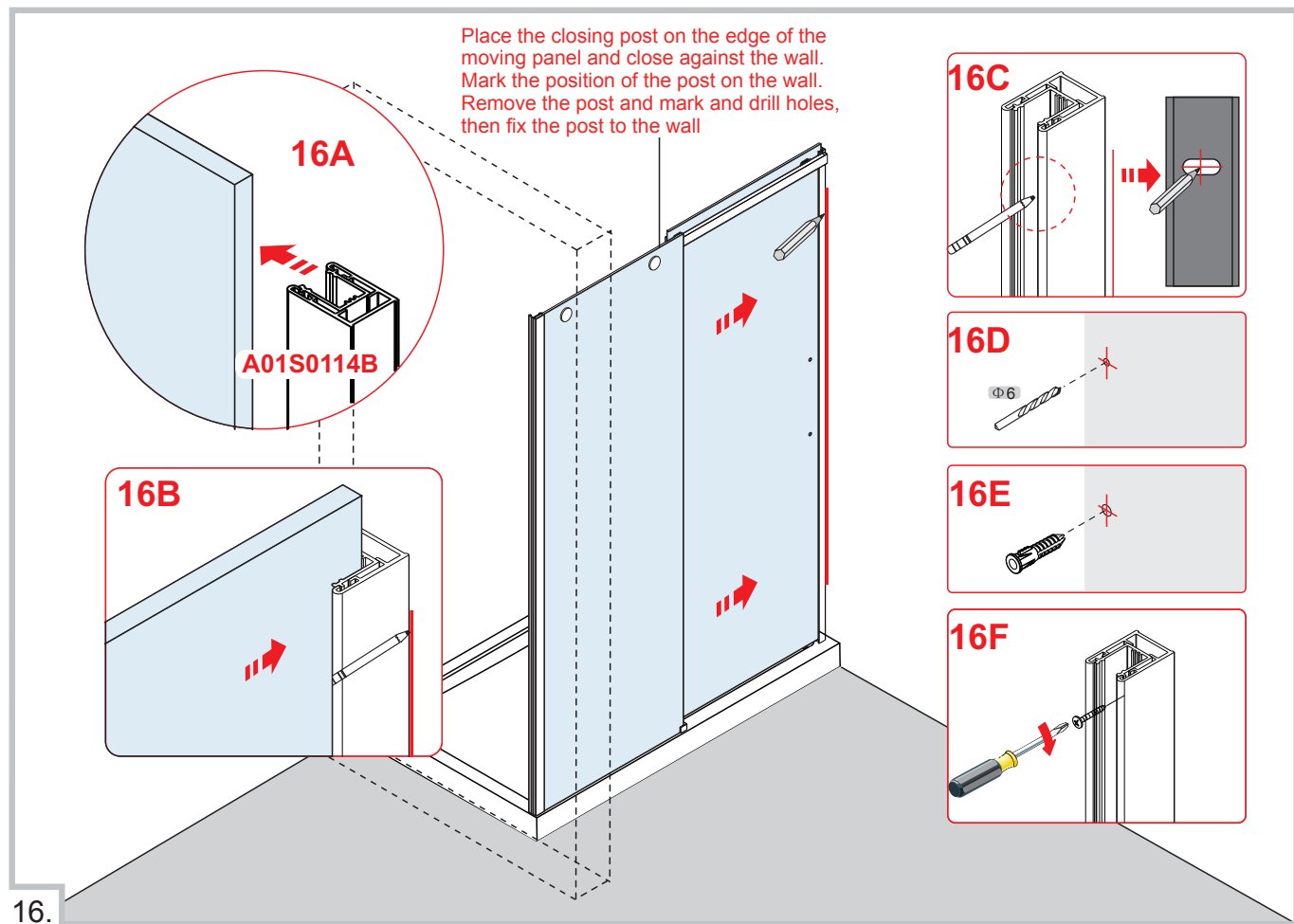
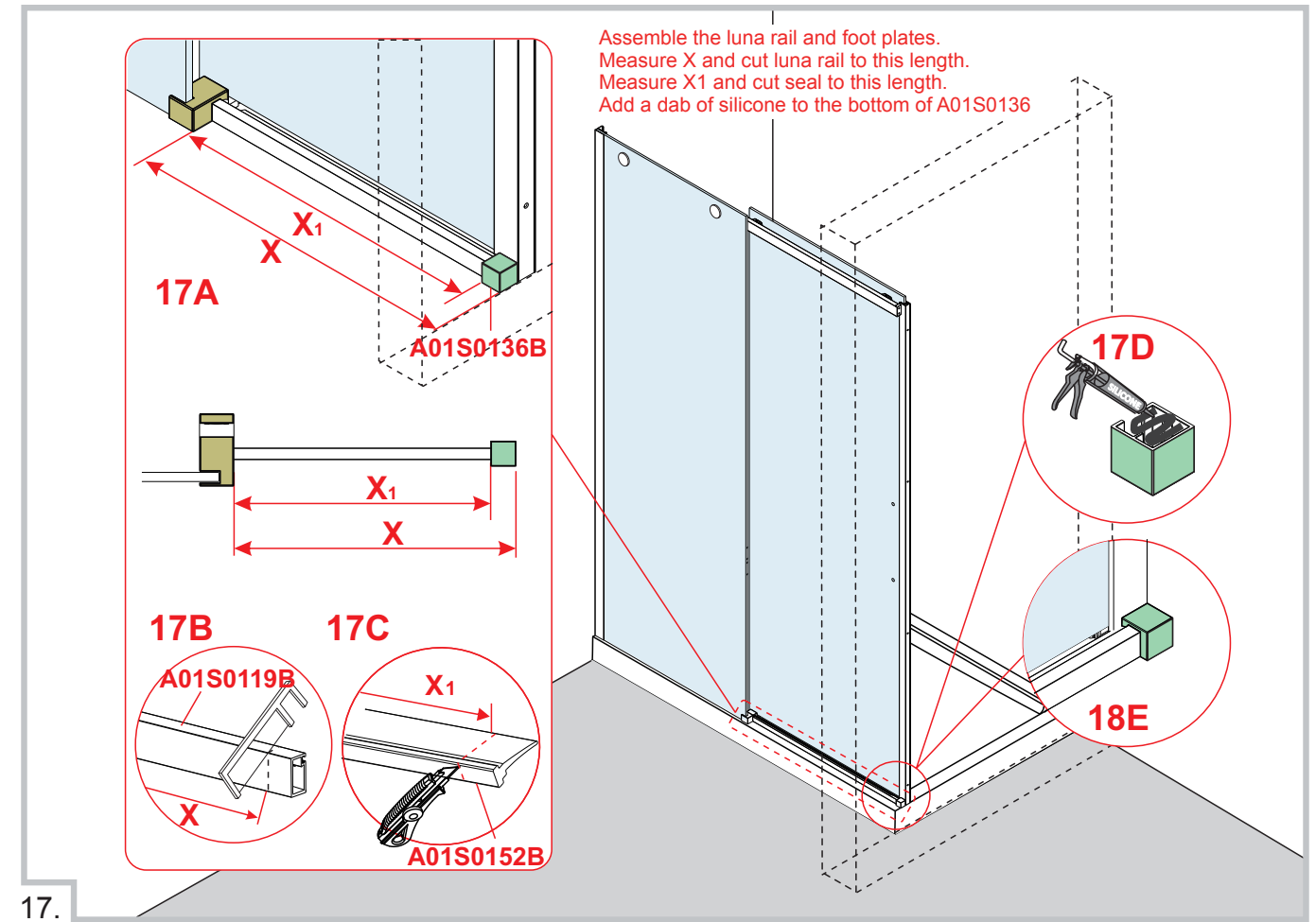
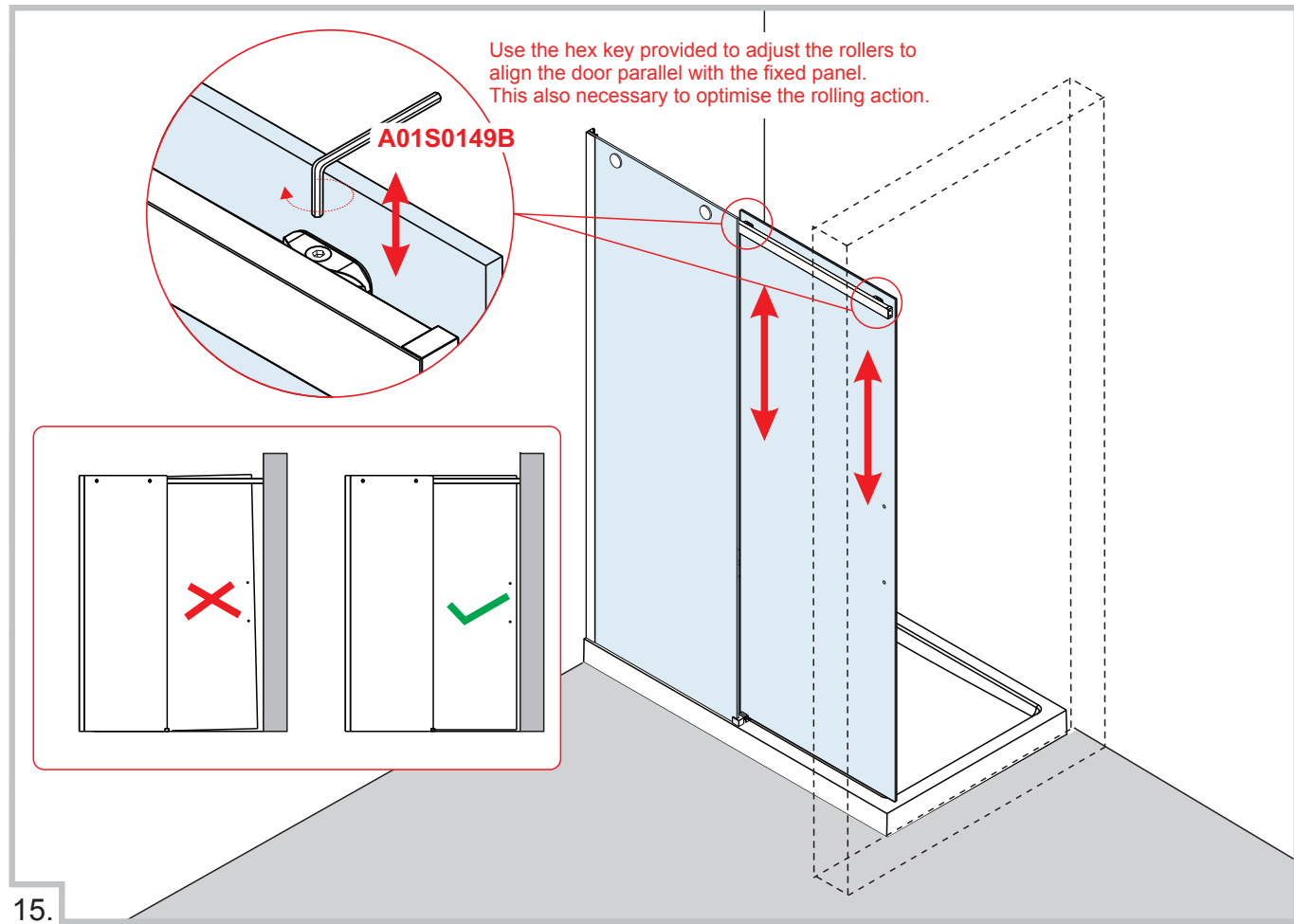
No.	Qty	Description	Part No.	No.	Qty	Description	Part No.	No.	Qty	Description	Part No.
①	1	Cover cap	A01S0141B	⑬	2	Rail fixing branded /Unbranded	A01S0233B	⑵	2	Screw 4x50	A01S0158
②	1	Wall profile	A01S0109B	⑭	2	Rail fixing washer	A01S0234B	⑶	1	D	D
③	1	Cover strip	A01S0115B	⑮	2	Rail fixing screw	A01S0404B	⑷	1	Handle	A01S0126B
④	1	Wedge gasket	A01S0154B	⑯	2	Rail fixing washer	A01S0412	⑸	2	Door panel upright seal	A01S0151B
⑤	1	A	A	⑰	1	Rail installation tool	A01S0405	⑹	1	Bottom guide cover cap	A01S0135B
⑥	8	Screw 4x30	8S410044	⑱	1	B	B	⑺	1	fixed panel guide	A01S0261B A01S0134B
⑦	10	Wall plug	8SSJ066	⑲	1	Cover cap	A01S0167B	⑽	1	Bottom seal	A01S0152B
⑧	1	Roller stop cap	A01S0140B	⑳	2	Roller	A01S0125B	⑾	1	Luna rail	A01S0119B
⑨	1	Roller stop screw	A01S0156	㉑	1	C	C	⑿	1	Closing post footplate	A01S0136B
⑩	1	Roller stop	A01S0703	㉒	1	Rail extension block	A01S0146B	⓫	1	Fixed panel upright seal	A01S0173B
⑪	1	Rail cap	A01S0137B	㉓	1	Post cover cap	A01S0142B				
⑫	1	Roller stop frame	A01S0138B	㉔	1	Closing post	A01S0114B				

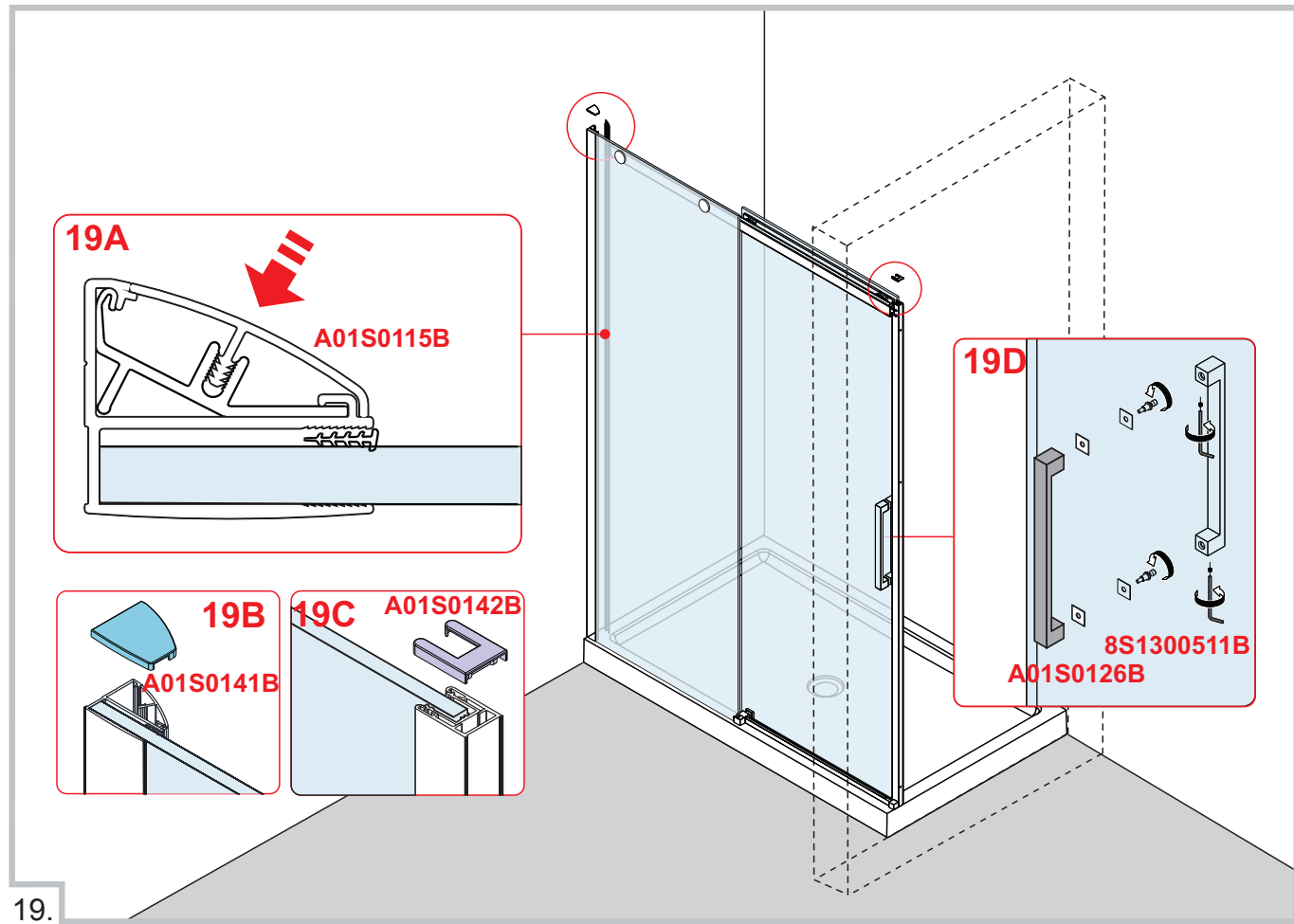




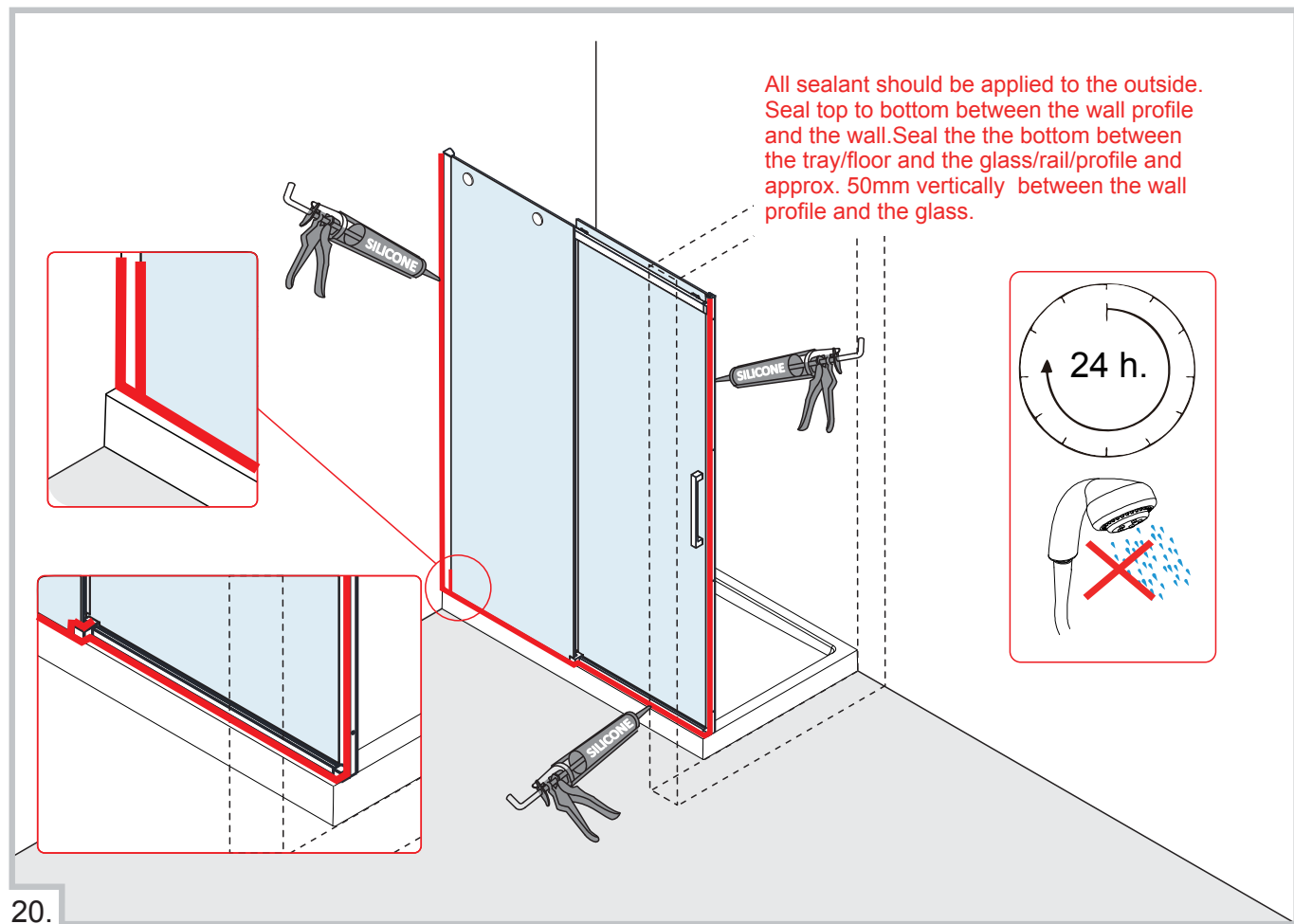








19.



20.

IMPORTANT

Thank you for choosing Merlyn. Please familiarise yourself with the fitting instructions before commencing fitting.

- 1 Check that you have the tools required
- 2 Check that the installation site is compatible with size of door supplied
- 3 Check all the enclosure components
- 4 Check that the installation kit is complete

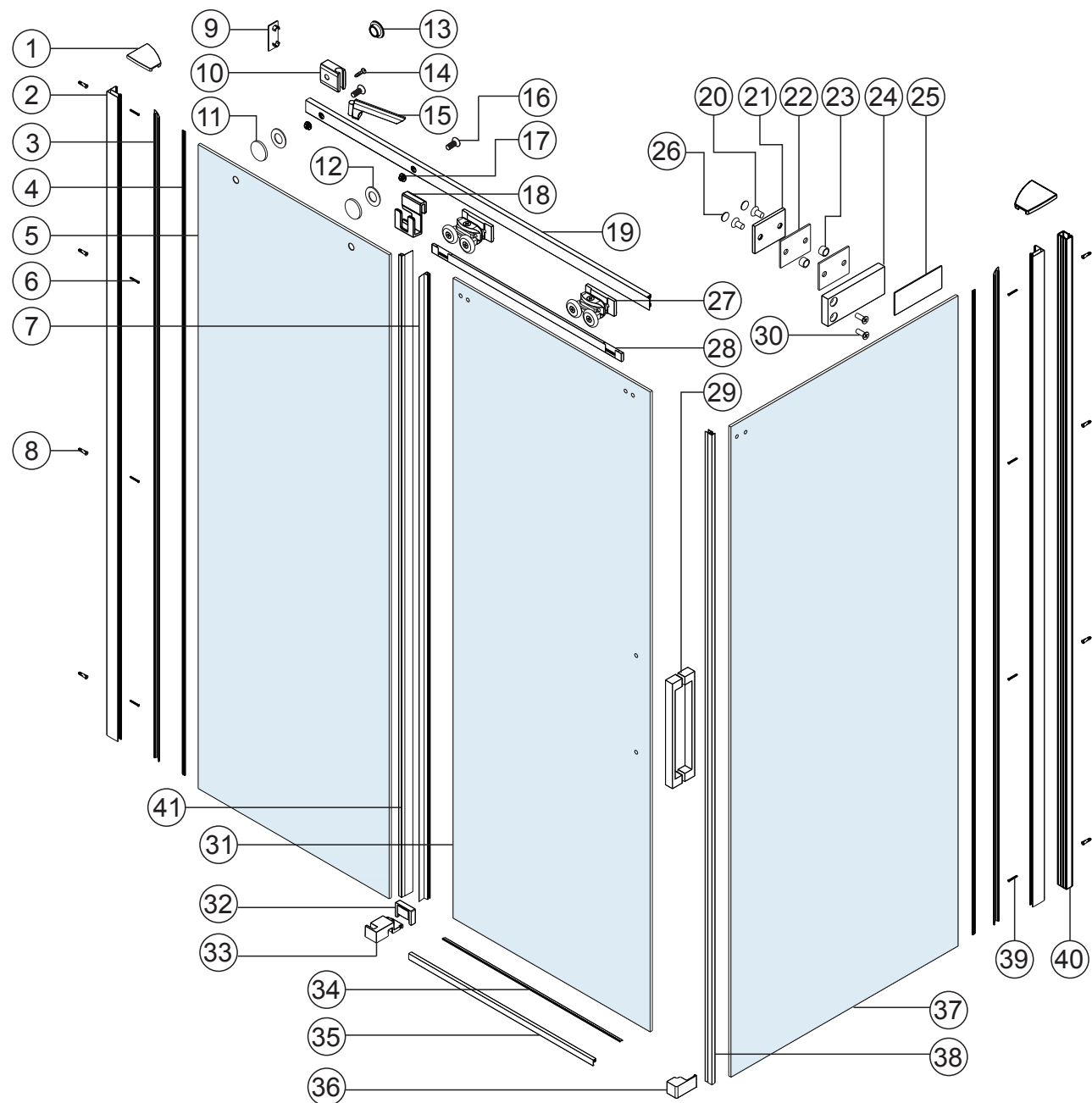
DO NOT attempt to install the product unless you can tick **ALL 4** boxes as satisfactory.
The wall plugs supplied with the installation kit are for use in solid walls. Hollow or 'stud - partition' walls will require alternative fixings. Please consult a hardware supplier for the correct type.
It may also be necessary to consult your tiling supplier about the correct method for drilling your tiles.

USE SAFETY EYEWEAR WHEN DRILLING

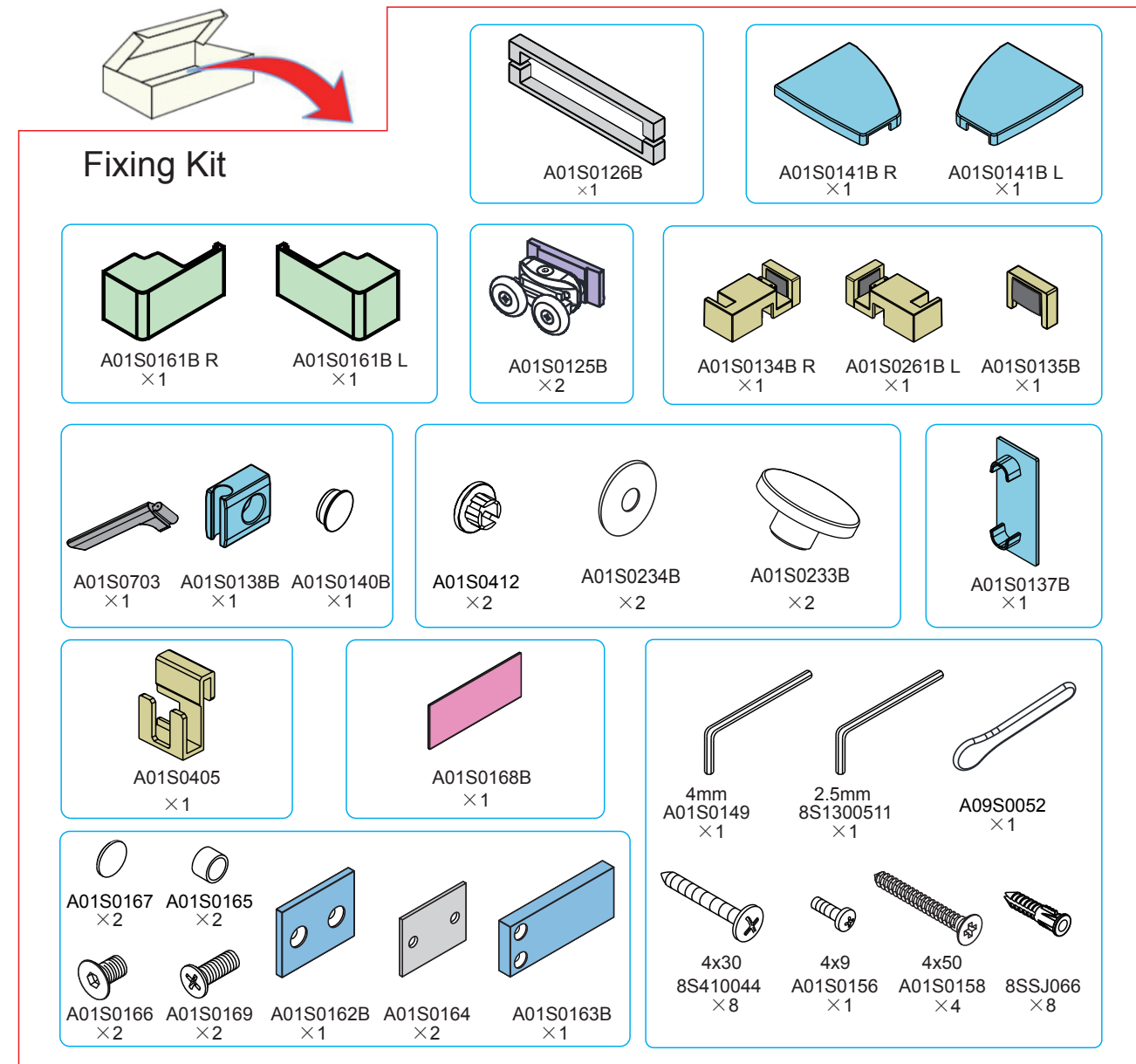
Any parts missing or damaged must be reported to your supplier within 5 days of purchase. Inspect shower enclosure before fitting. No claims will be accepted after product has been installed.

Size	Adjustment	Opening space
800	760-785	NA
900	860-885	NA

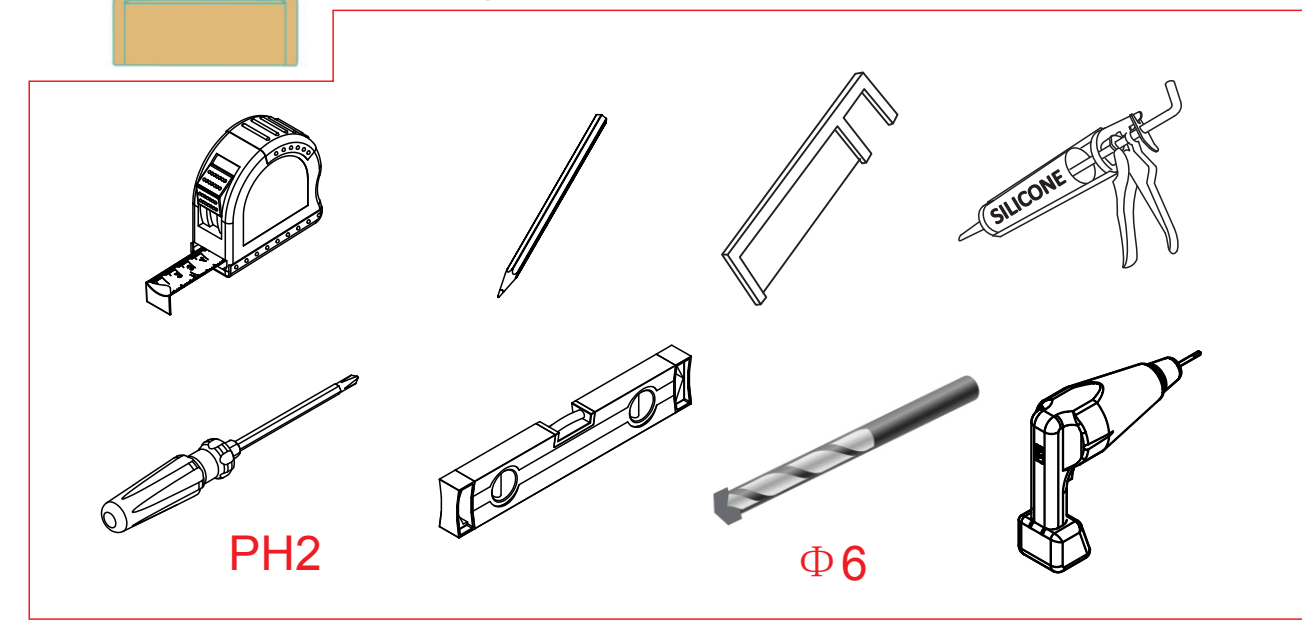
Size	Adjustment	Opening space
1200	1140-1185	450
1400	1340-1385	550
1500	1440-1485	550
1700	1640-1685	550

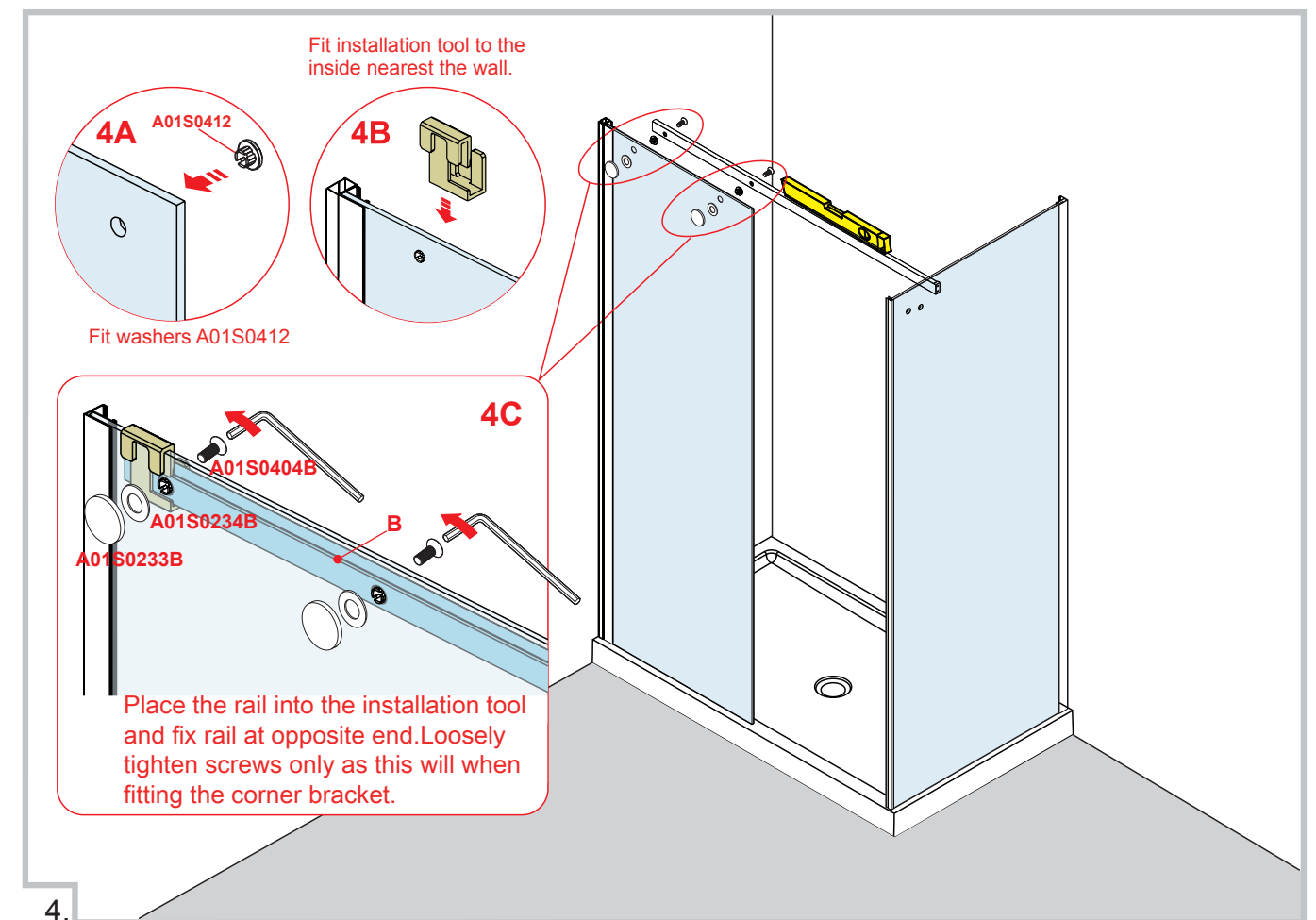
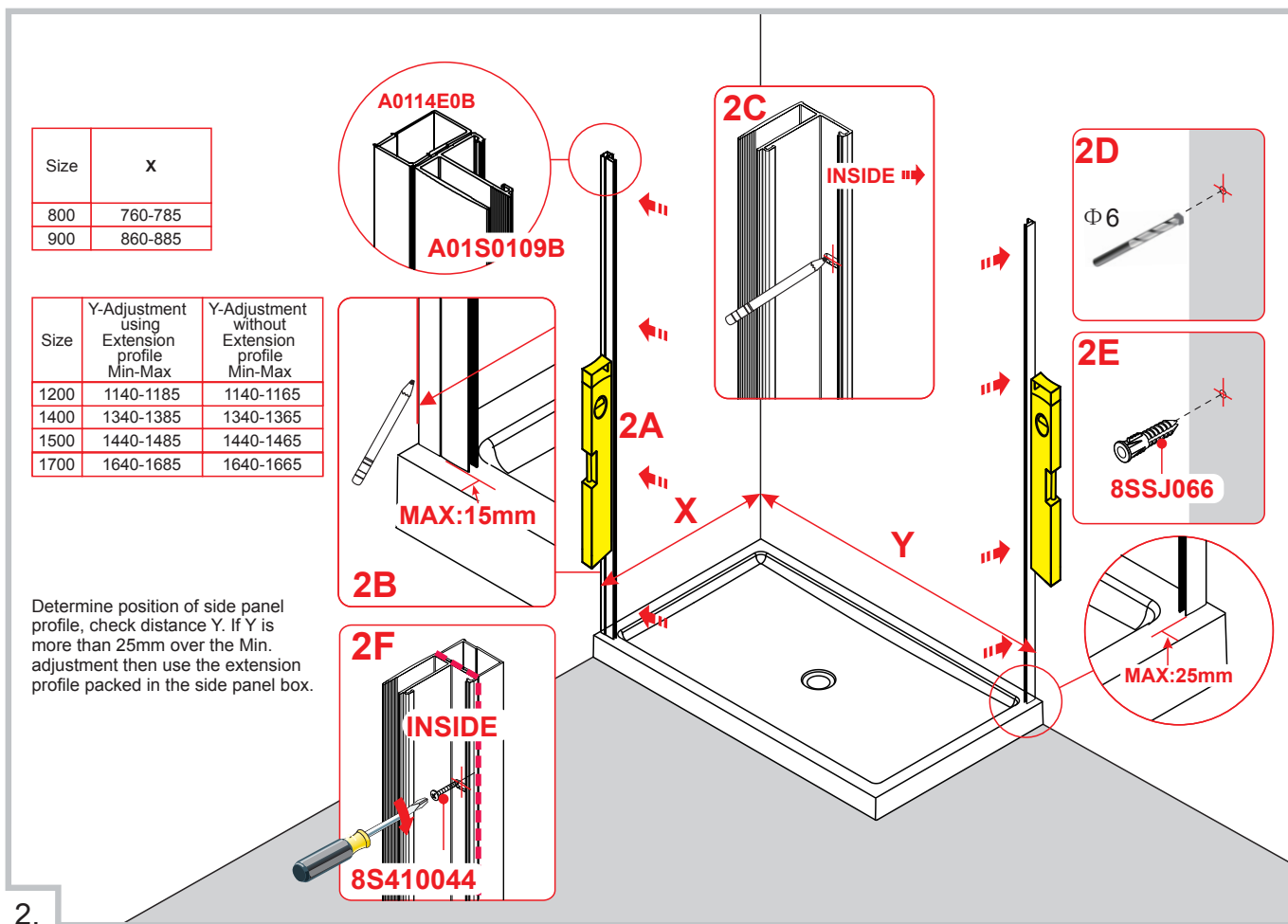
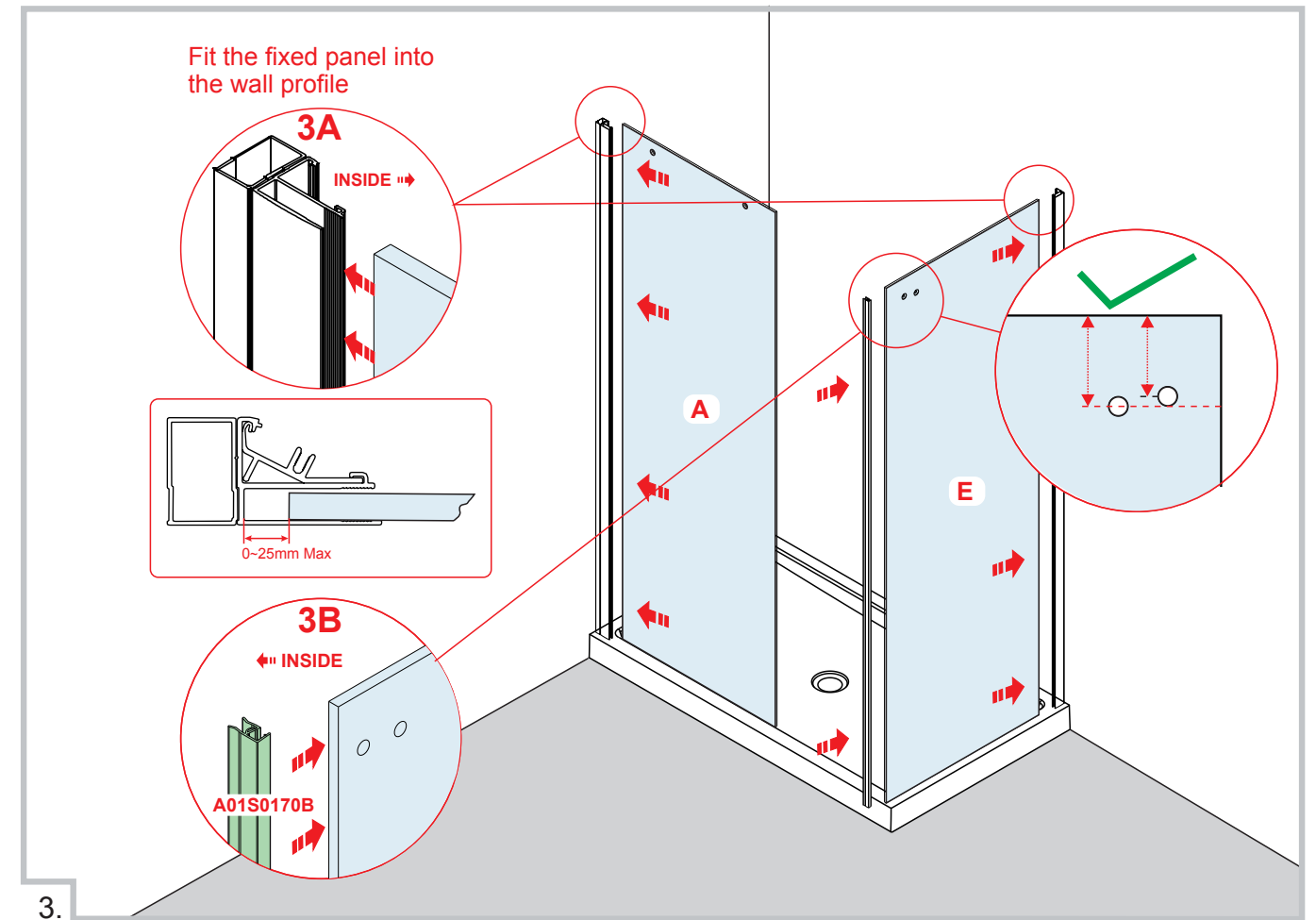
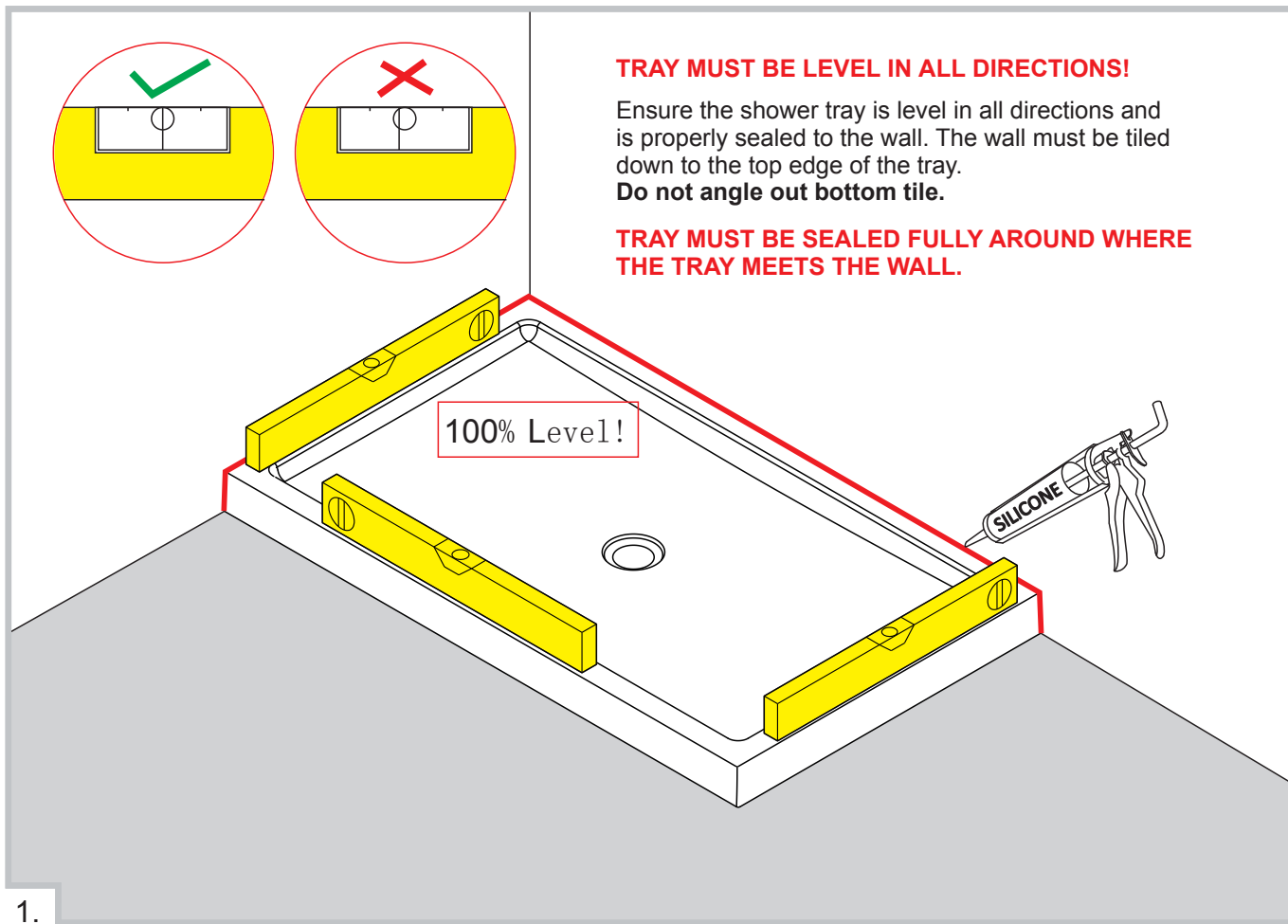


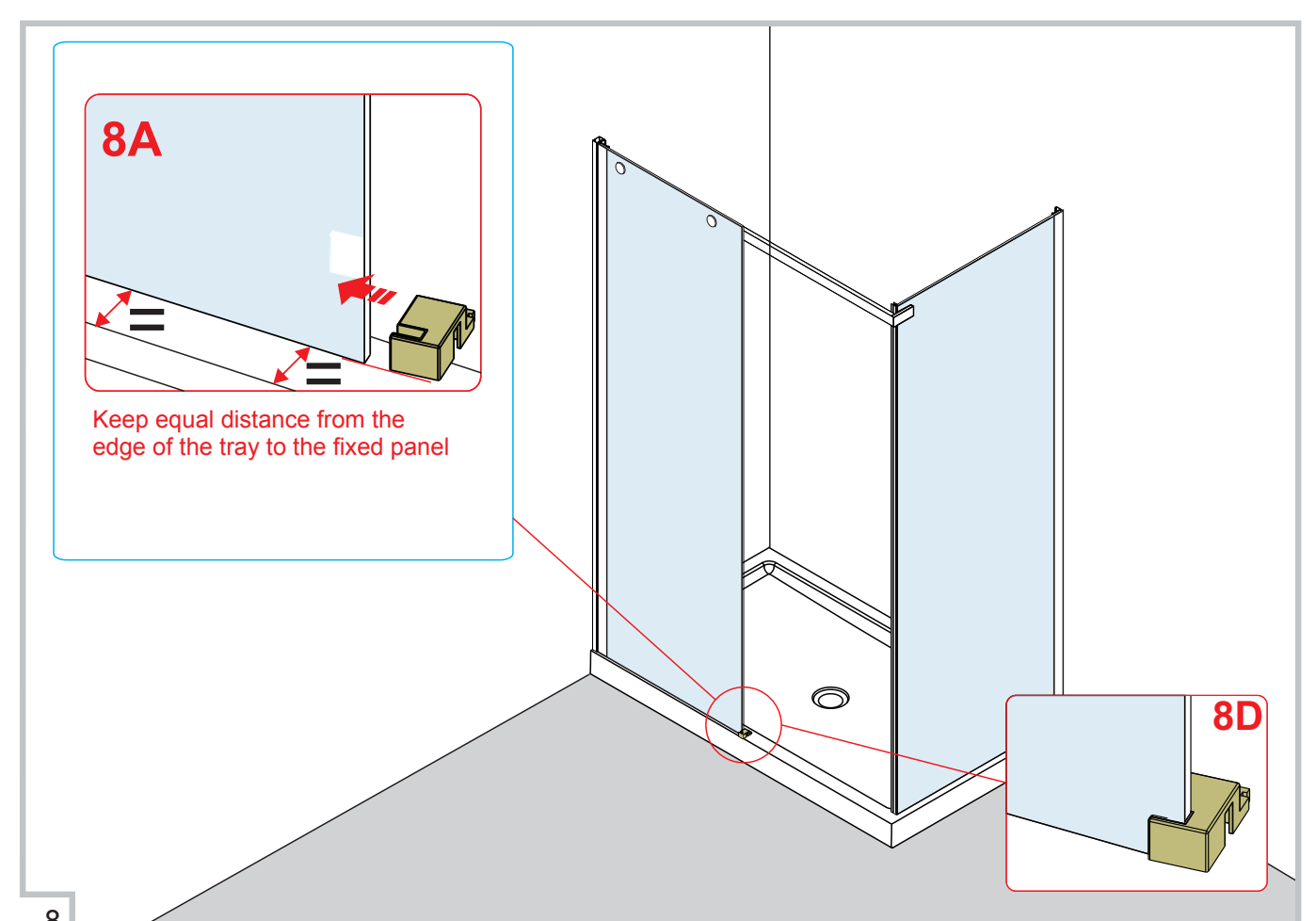
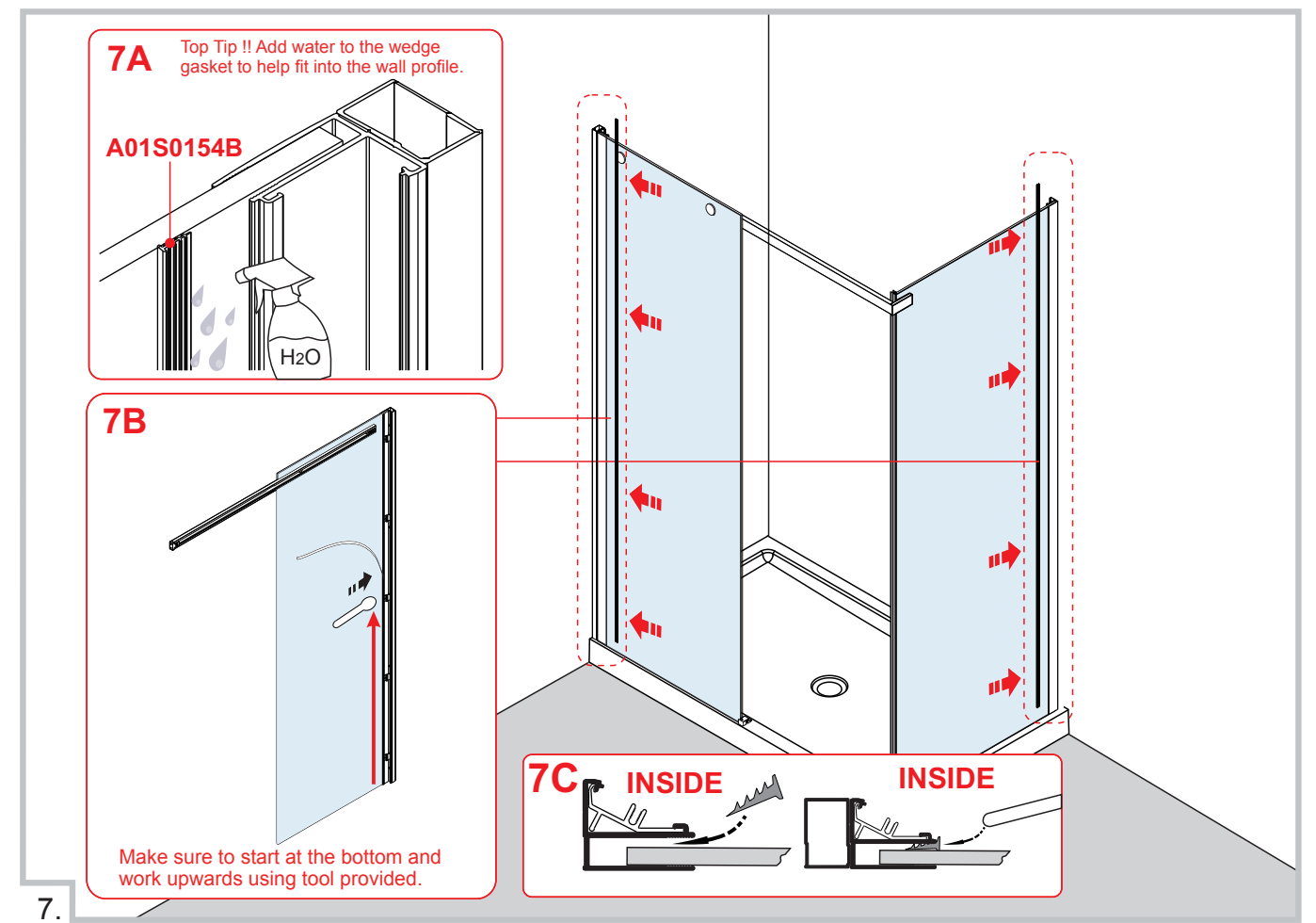
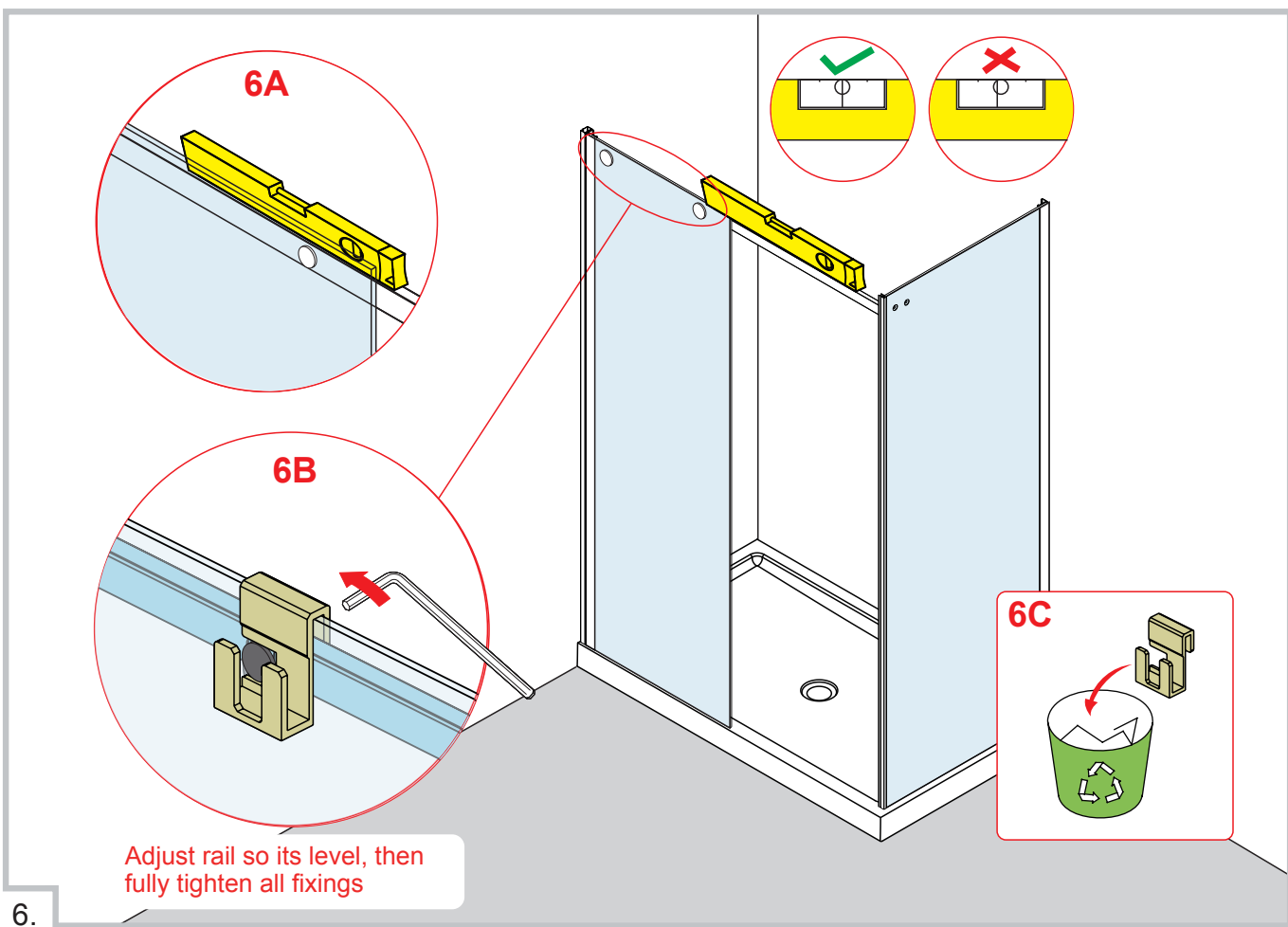
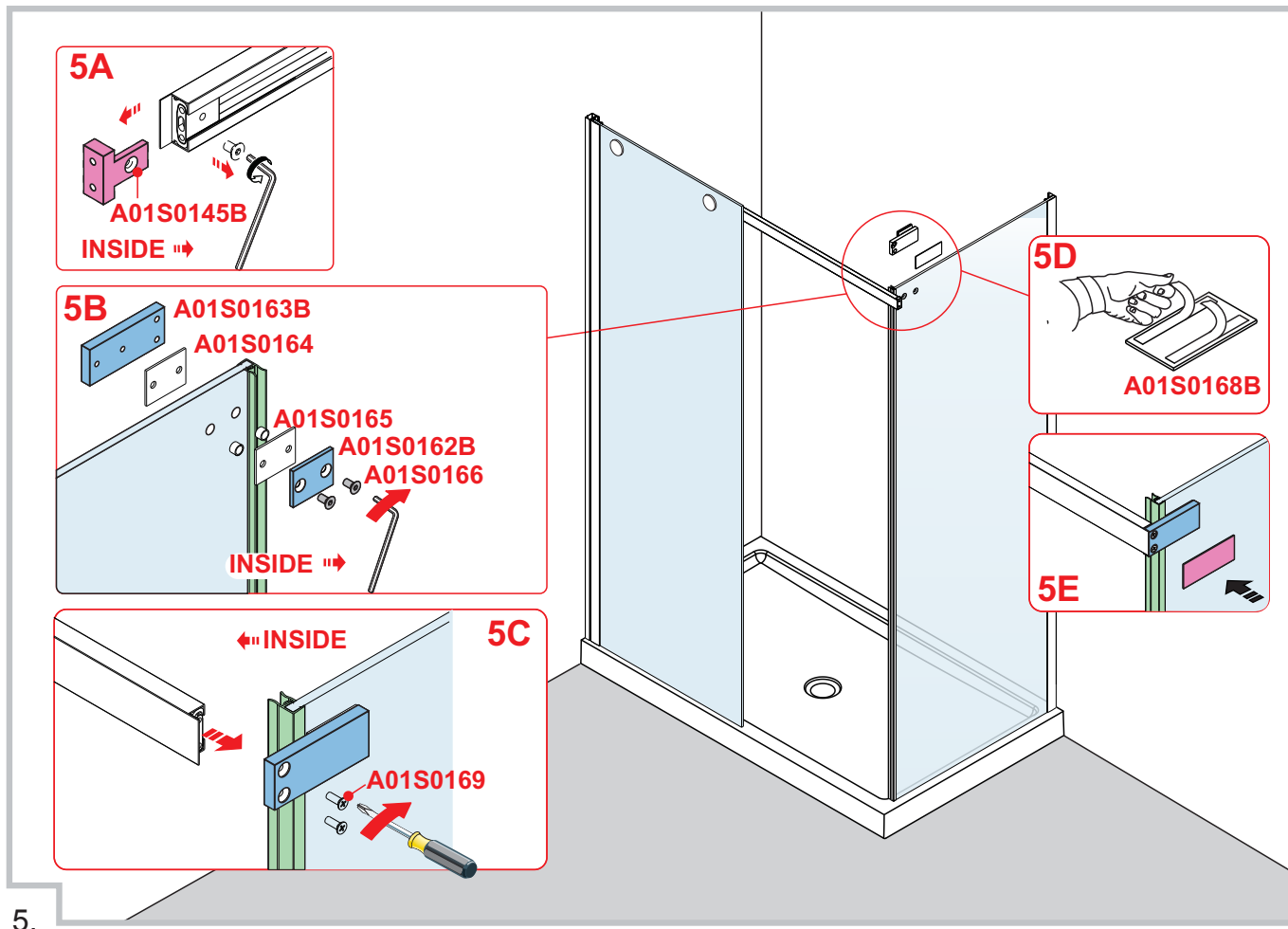
No.	Qty	Description	Part No.	No.	Qty	Description	Part No.	No.	Qty	Description	Part No.
①	1	Cover cap	A01S0141B	⑭	1	Roller stop screw	A01S0156	⑳	1	Roller cover profile	C
②	2	Wall profile	A01S0109B	⑮	1	Roller stop	A01S0703	㉑	1	Handle	A01S0126B
③	2	Cover strip	A01S0115B	⑯	2	Rail fixing screw	A01S0404B	㉒	2	M5 x 18 screw	A01S0169
④	2	Wedge gasket	A01S0154B	⑰	2	Rail fixing washer	A01S0412	㉓	1	D	D
⑤	1	A	A	⑱	1	Rail installation tool	A01S0405	㉔	1	Bottom guide cover cap	A01S0135B
⑥	8	Screw 4x30	8S410044	⑲	1	B	B	㉕	1	Bottom guide	A01S0261B A01S0134B
⑦	1	Moving panel upright seal	A01S0151B	⑳	2	M6 x 20 screw	A01S0166	㉖	1	Bottom seal	A01S0152B
⑧	8	Wall plug	8SSJ066	㉑	1	Fixing plate inside	A01S0162B	㉗	1	Luna rail	A01S0119B
⑨	1	Rail cap	A01S0137B	㉒	2	plate washer	A01S0164	㉘	1	Side panel foot plate	A01S0161B
⑩	1	Roller stop frame	A01S0138B	㉓	2	Screw washer	A01S0165	㉙	1	E	E
⑪	2	Rail fixing branded	A01S0233B	㉔	1	Fixing plate outside	A01S0163B	㉚	1	Closing seal	A01S0170B
⑫	2	Rail fixing washer	A01S0234B	㉕	1	Cover plate	A01S0168B	㉛	4	Screw 4x50	A01S0158
⑬	1	Roller stop cap	A01S0140B	㉖	2	Cover plate	A01S0167B	㉜	1	Extension profile	A0114E0B
				㉗	2	Roller	A01S0125B	㉝	1	Fixed panel upright seal	A01S0137B

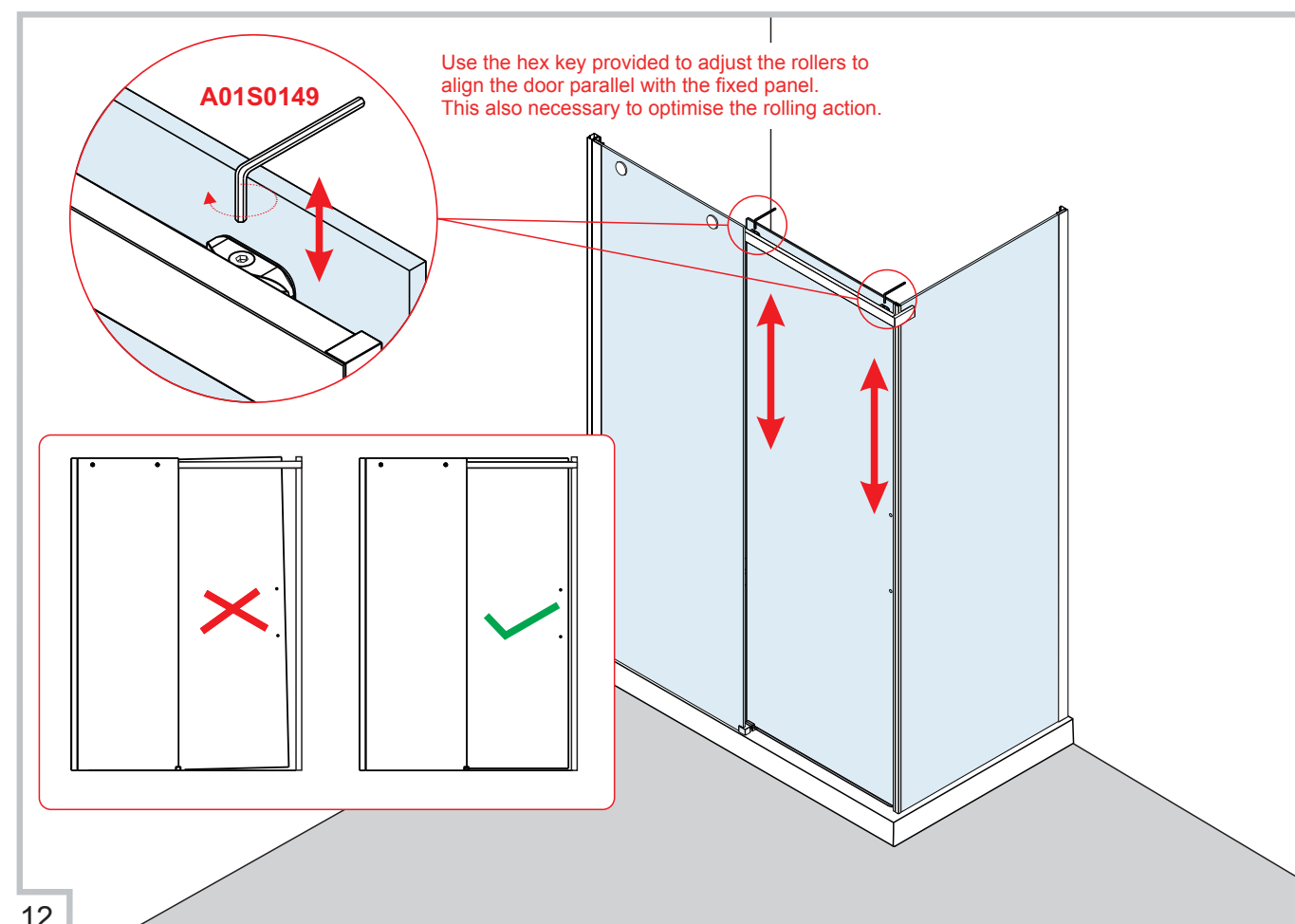
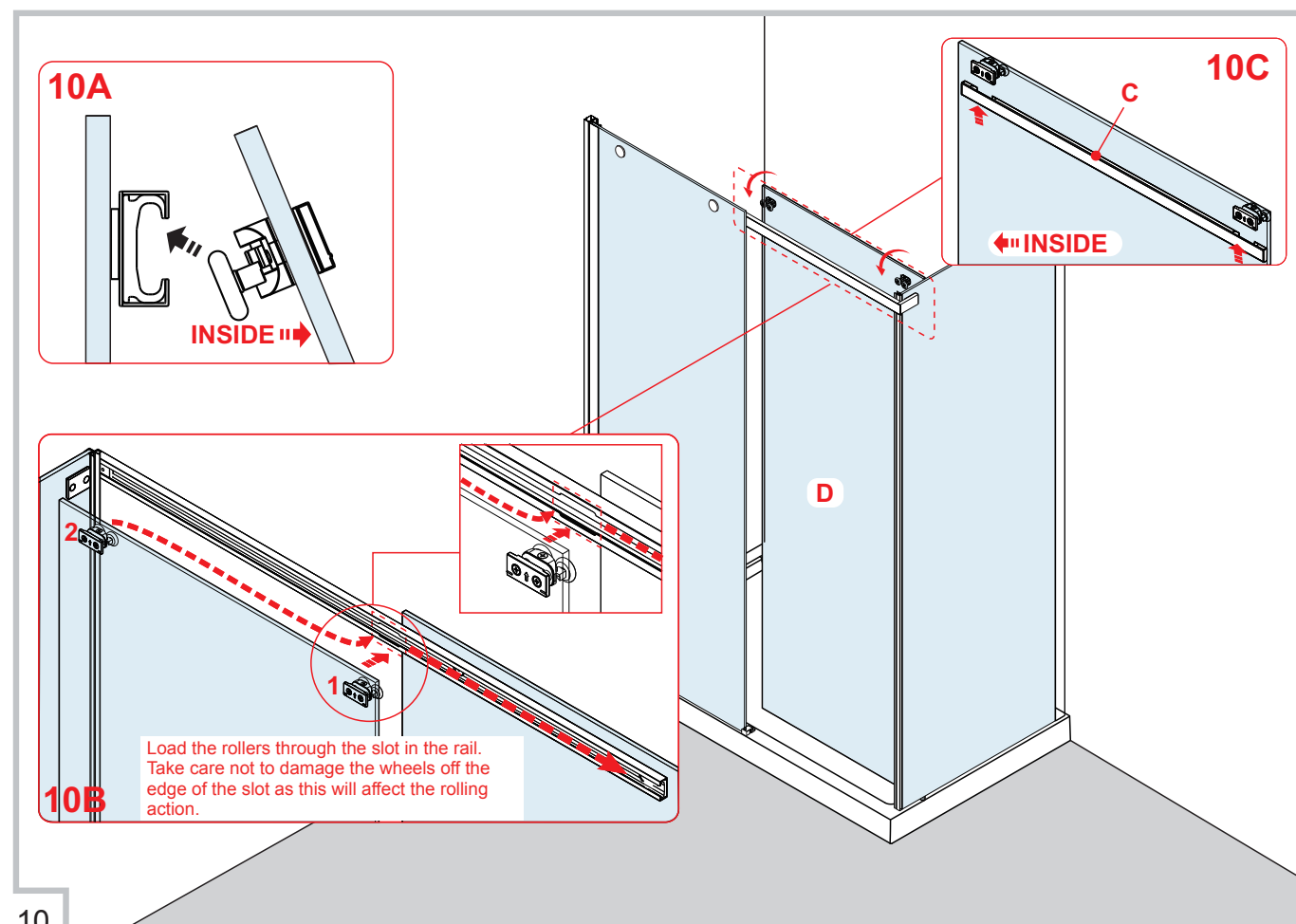
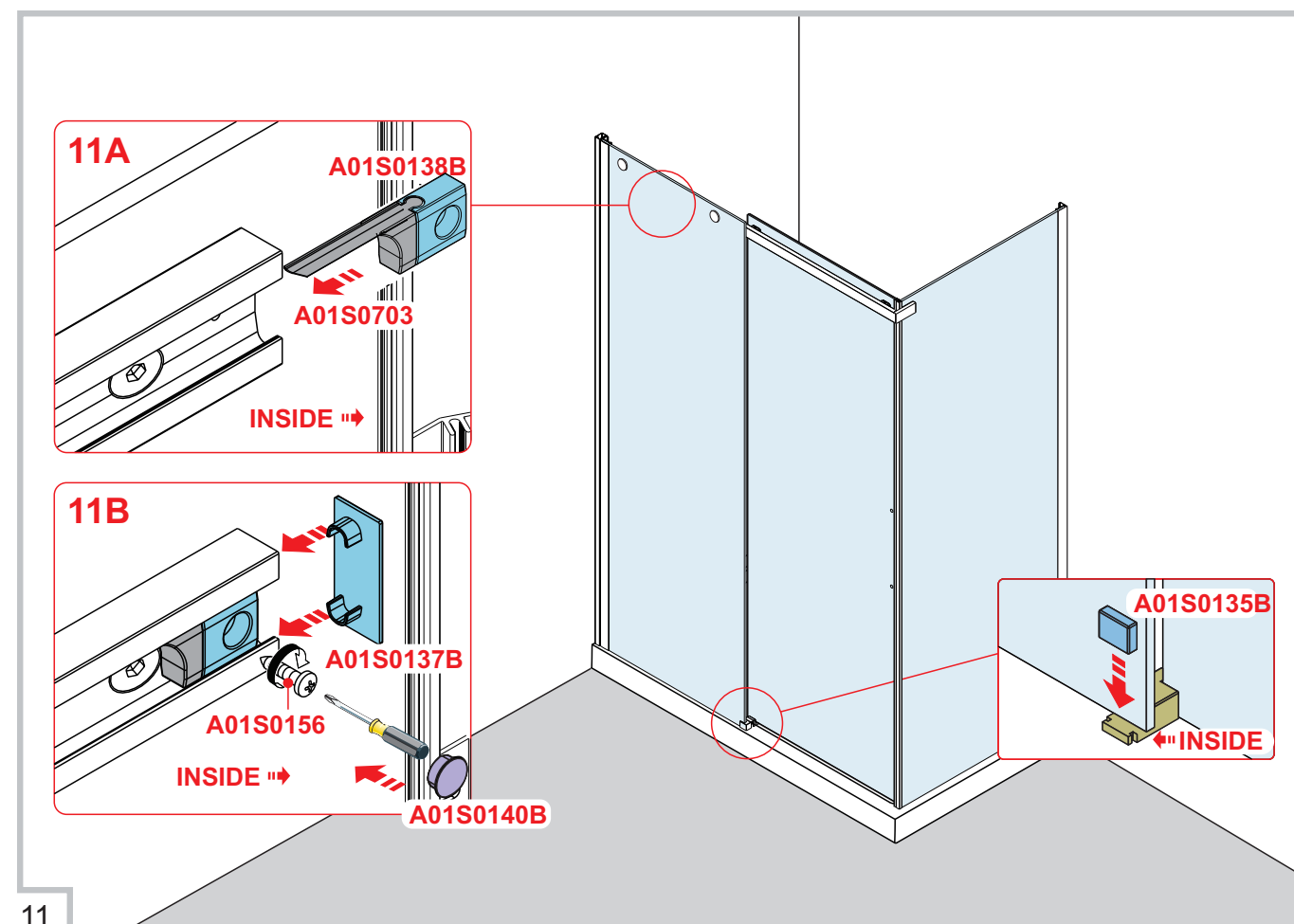
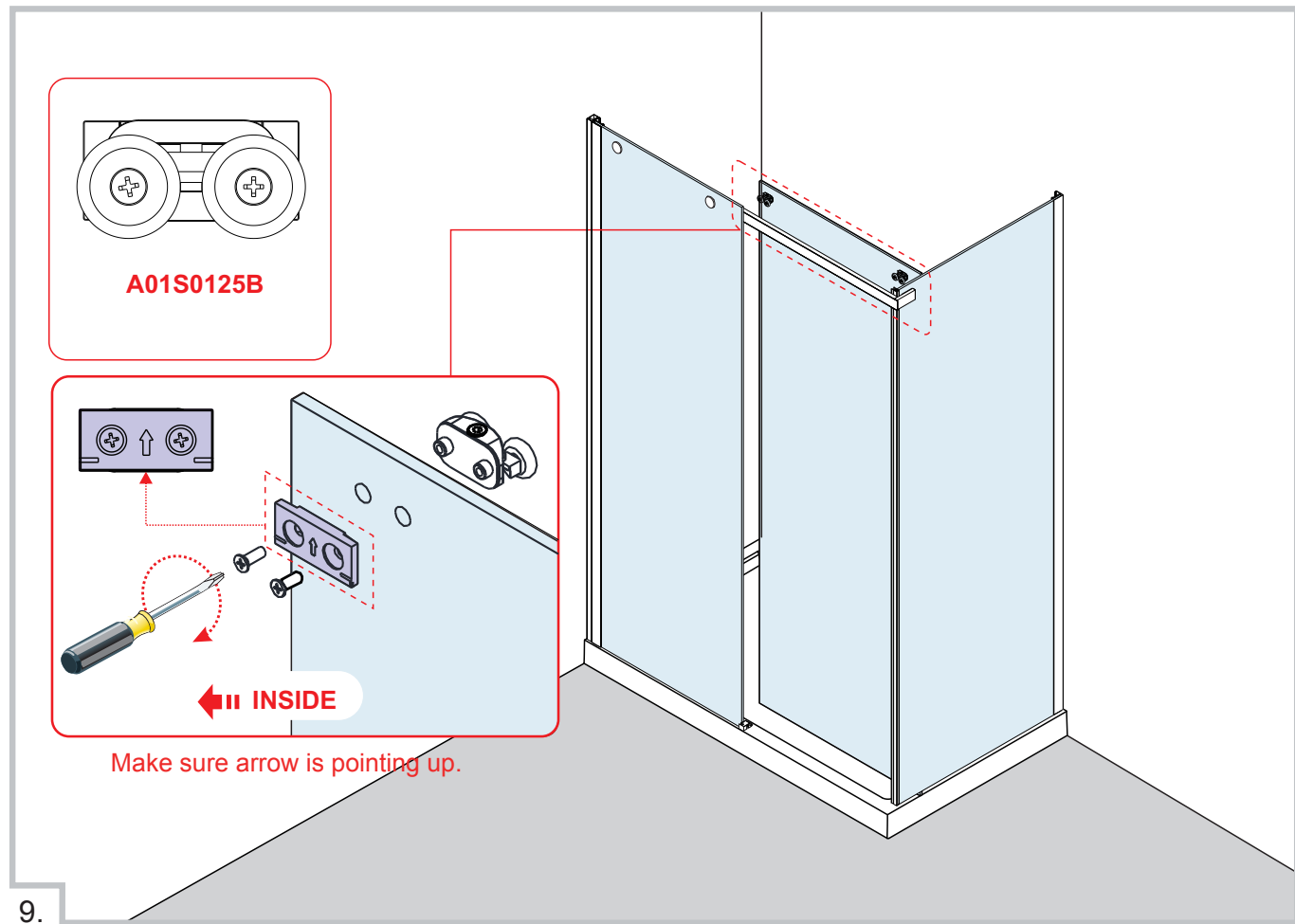


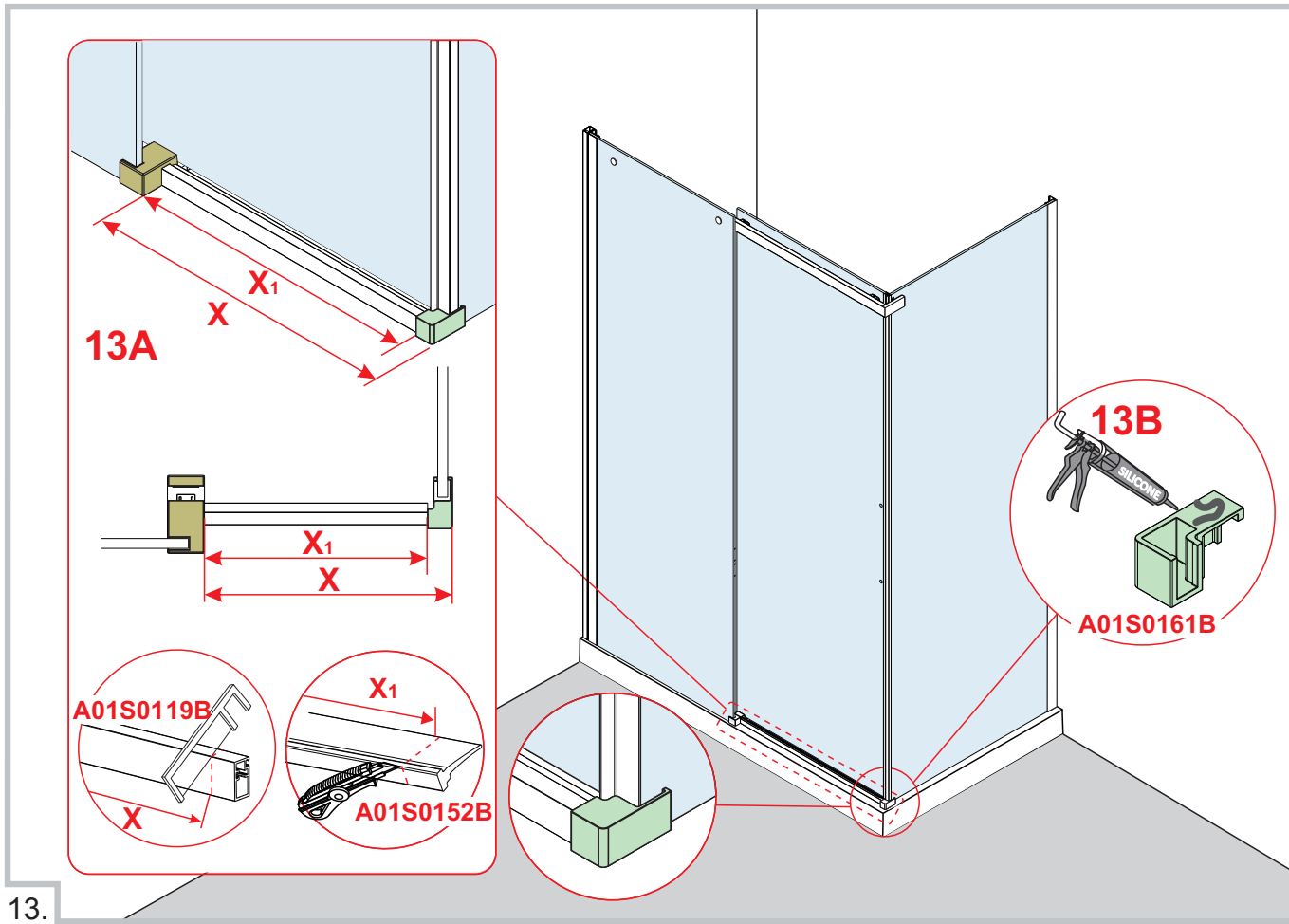
Tools required





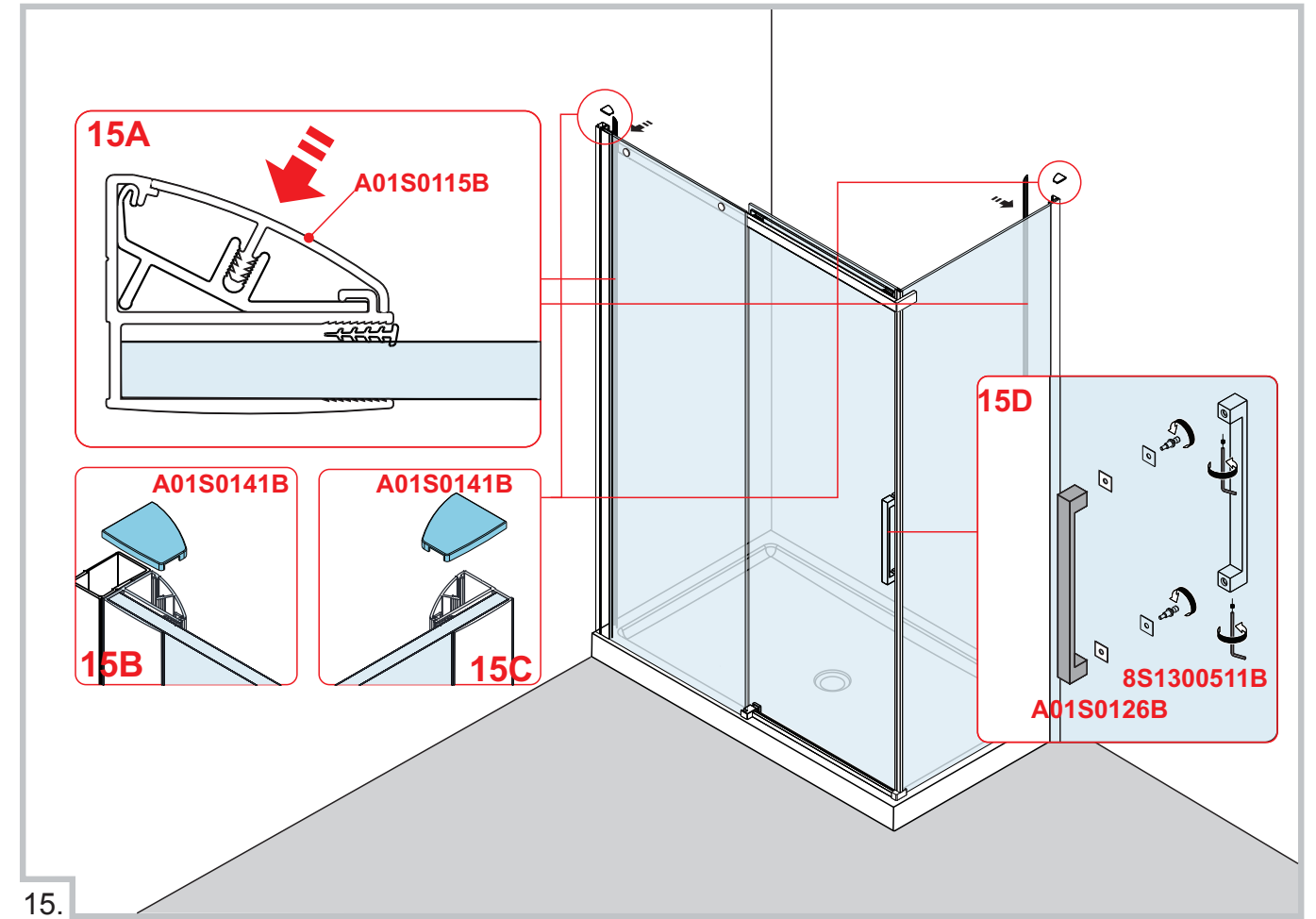






14.

24.



16.

25.

