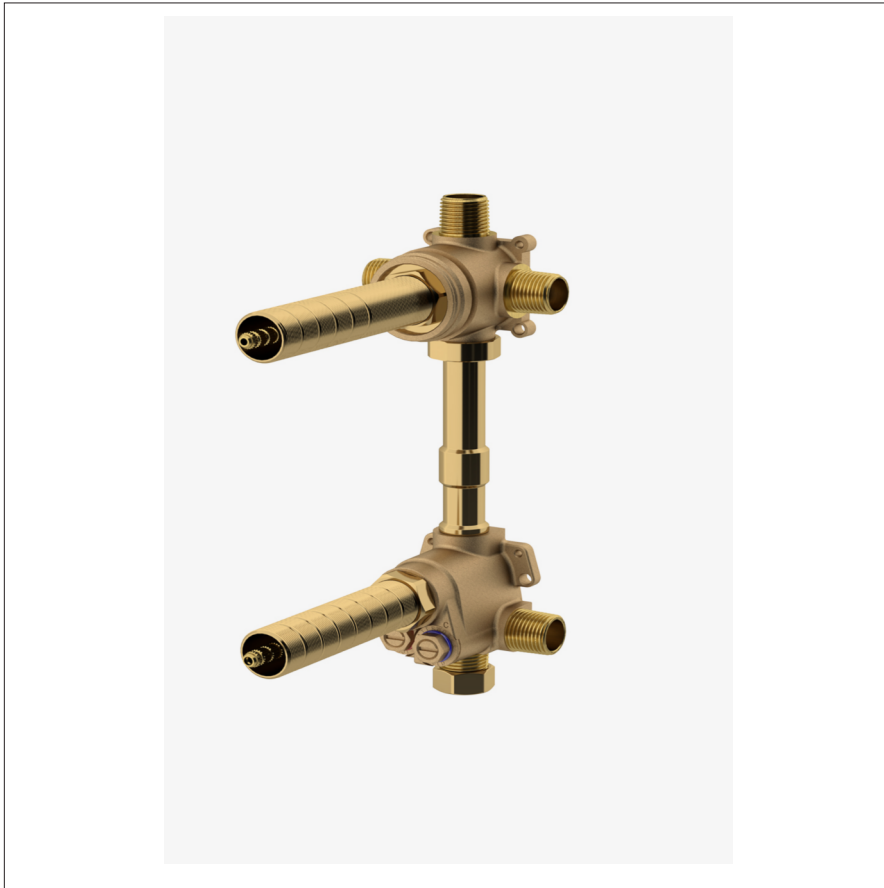


## UNIVERSAL

GUTH73

Universal 1/2" Thermostatic Valve with Integrated ThreeWay Diverter with Shutoff Valve



### TECHNICAL DETAILS

Control Valve Rough-in Depth Maximum: 5 3/4"  
Control Valve Rough-in Depth Minimum: 3 1/4"  
Fittings Hole Diameter: 3"  
Inlet Connection Size: 1/2"  
Inlet Connection Type: Male NPT  
Outlet Connection Size: 1/2"  
Outlet Connection Type: Male NPT  
Primary Material: Brass  
Water Pressure Maximum: 85.0 psi  
Water Pressure Minimum: 20.0 psi  
Water Pressure Recommended: 45.0 psi

### INSPIRATION

Our Universal collection features timeless designs complementing any of our Waterworks. With a wide range of product, from fittings to accessories, Universal adds exquisite proportion and balance to any environment.

### PRODUCT FEATURES

- Built in Anti-scald protection.
- Integrated valve design for ease of installation
- Removable thermostatic and diverter cartridges for ease of service.
- Service stops with integrated check valves guarantee there is no crossover of hot or cold water.
- Optional bottom outlet

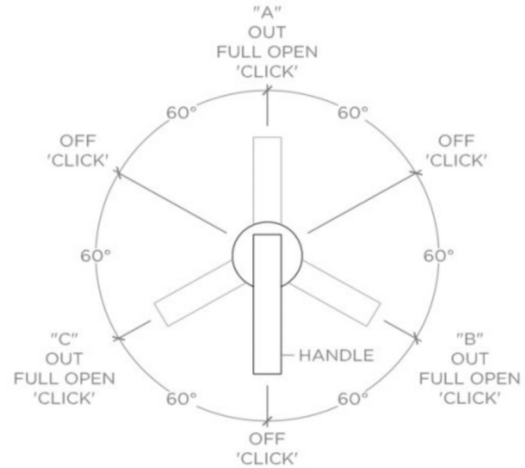
## UNIVERSAL

## GUTH73

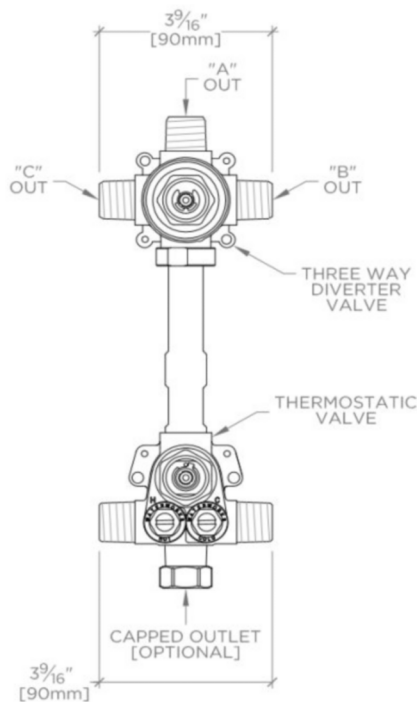
Universal 1/2" Thermostatic Valve with Integrated ThreeWay Diverter with Shutoff Valve



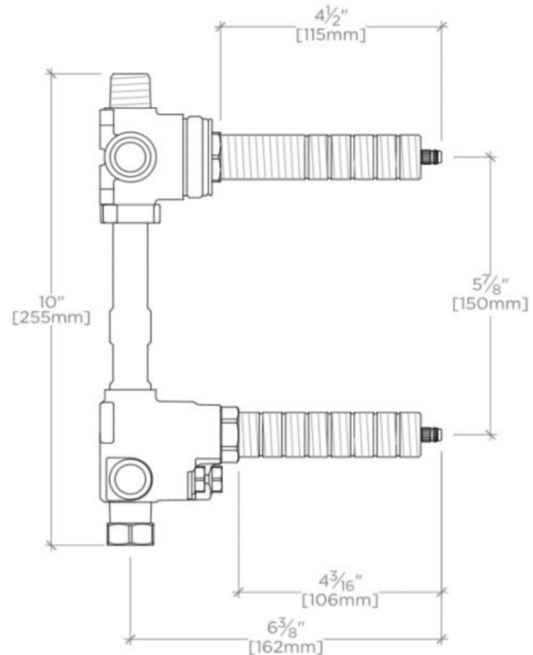
TOP VIEW SCALE: 3"=1'-0"



THREE WAY DIVERTER OPERATION



FRONT VIEW SCALE: 3"=1'-0"



SIDE VIEW SCALE: 3"=1'-0"