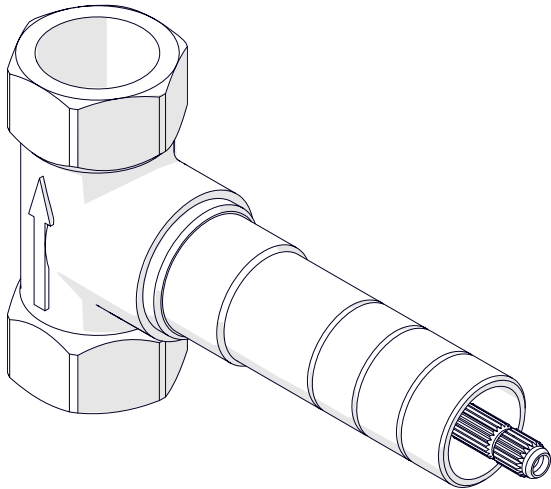


STYLE No. GUV16 † - Counterclockwise Open
CODE No. GUSV16R

STYLE No. GUV17 † - Clockwise Open
CODE No. GUSV17R



SPECIFICATIONS:

Fittings Hole Diameter: Ø1-3/8" [Ø35mm]*
Inlet and Outlet Connection: 3/4" Female NPT †
Unrestricted Max Flow Rate @ 45psi [3bar]: 14gpm [53L/min]
Valve Material: Ceramic
Water Pressure Maximum: 85psi [6.0bar]
Water Pressure Minimum: 20psi [1.5bar]
Water Pressure Recommended: 45psi [3.0bar]

- * Ø1-3/8" [Ø35mm] hole is required for servicing.
- † UK Style Nos. **GU16VC** and **GU17VC** are supplied with 2 **BSP** Adapters, assembly required.

IMPORTANT:

- To ensure this VALVE is installed properly, you must read and follow these guidelines.
- The owner/user of this VALVE must keep this information for future reference.
- This VALVE and associated TRIM (SOLD SEPARATELY) must be installed by a professional licensed contractor and must be on-site prior to rough-in, this allows the installer to visualize the installation. The VALVE rough-in depth is measured from the center of the inlets to the surface of the finished wall and **VARIES** depending on the TRIM being used.
- Inspect this VALVE to ensure you have all the parts required for proper installation. This VALVE is sold partially assembled but shown fully disassembled for illustrative and service purposes only.
- **This VALVE controls on/off/volume only.**
- Be sure your installation conforms to federal, state, and local codes. In the State of Massachusetts, all installations must comply with the rules and regulations set forth within 248 CMR.
- Check incoming water pressure.

ROUGH-IN:

- **CAUTION: Refer to the Installation Guidelines of the specific TRIM being used for the MAXIMUM and MINIMUM rough-in depth dimensions.**
- **CAUTION:** The VALVE rough-in depth is measured from the center of the inlets to the surface of the finished wall (see Figure - 01) and **VARIES** depending on the TRIM used.

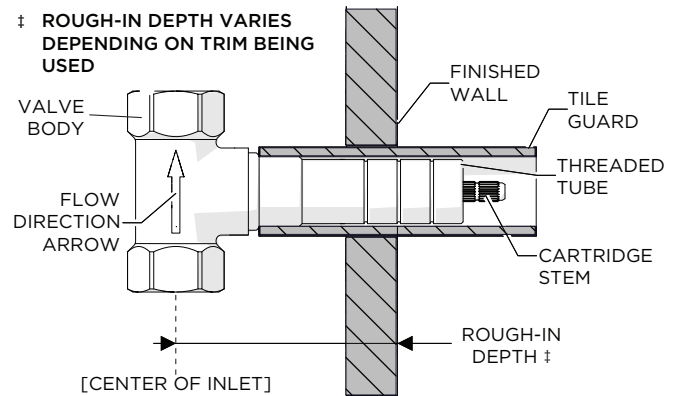


FIGURE - 01

- **CAUTION: DO NOT APPLY DIRECT HEAT TO THE VALVE.** If soldering any connections, make sure the CARTRIDGE is removed to prevent damage to the SEALS and internal components.
 - 1. Run a 3/4" [22mm] copper supply line to the proper height of the VALVE INLET and be sure to secure all piping and fittings.
 - 2. Install the VALVE making sure it's positioned according to the **FLOW DIRECTION ARROW** marked on the VALVE BODY.
- NOTE:** A wall VALVE must be installed for each fitting that will have water flowing to it.

INSPECT THE INSTALLATION:

- 3. Turn on the water supply and inspect all connections for leaks.
- 4. Install the TILE GUARD to protect the VALVE during the completion of the finished wall and to create the exact opening to ensure access to the CARTRIDGE for future servicing.
- If further assistance is required, please contact Product Support at 1-800-927-2120 Monday through Friday, 8am - 6pm EST.
- Refer to the separate Service Parts Documents for available replacement parts.
- † BSP Adapter can be ordered separately:

STYLE No. UNUK01
ITEM No. 45-22566-33137

These guidelines have been prepared for the professional contractor to aid in the installation of:
UNIVERSAL 3/4" COUNTER-CLOCKWISE VOLUME CONTROL VALVE (STYLE NOS. GUV16 & GU16VC).
UNIVERSAL 3/4" CLOCKWISE VOLUME CONTROL (STYLE NOS. GUV17 & GU17VC).
All dimensions are based on original specification and are subject to change and variation.
Please consult your Design Associate for current specifications.