

Продажа дизайнерской мебели,
света и аксессуаров
по всей России

8 (800) 500-70-36
hello@barcelonadesign.ru
www.barcelonadesign.ru



CALA

Joan Gaspar, 2012



Structure in painted iron or iroko wood.
A rotary moulded polyethylene shade is
enclosed in a zipped textile sleeve.

Structure

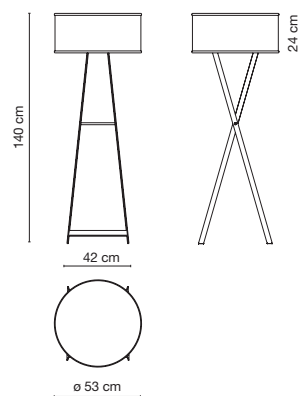
-  Grey
-  Dark iroko

Shade

-  White
-  Brown

 2x E27 FBT 18W

Cala 140 IP65



IP65

Range

