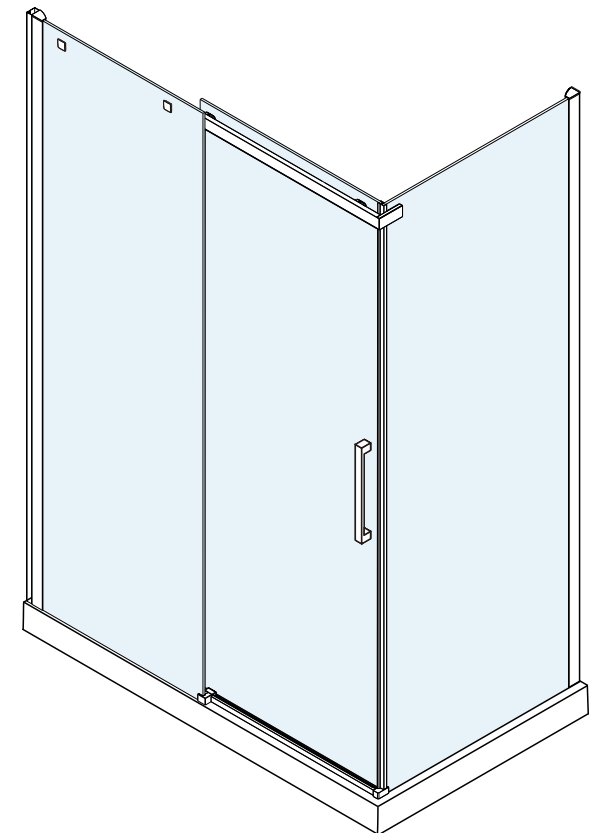


SLIDINGDOOR



Page 3

SLIDING DOOR WITH SIDE PANEL



Page 15

To download the Declaration of Performance (DOP) for this product please use the link below.

<https://merlynshowering.com/aftersales-support/dop-certs/>

For further information please contact IRL: 056 7791 555,UK:08081011429

INSTALLATION GUIDE

IMPORTANT

Thank you for choosing Merlyn. Please familiarise yourself with the fitting instructions before commencing fitting.

- 1 Check that you have the tools required
- 2 Check that the installation site is compatible with size of door supplied
- 3 Check all the enclosure components
- 4 Check that the installation kit is complete

DO NOT attempt to install the product unless you can tick **ALL 4** boxes as satisfactory.
The wall plugs supplied with the installation kit are for use in solid walls. Hollow or 'stud - partition' walls will require alternative fixings. Please consult a hardware supplier for the correct type.
It may also be necessary to consult your tiling supplier about the correct method for drilling your tiles.

USE SAFETY EYEWEAR WHEN DRILLING

Any parts missing or damaged must be reported to your supplier within 5 days of purchase. Inspect shower enclosure before fitting. No claims will be accepted after product has been installed.

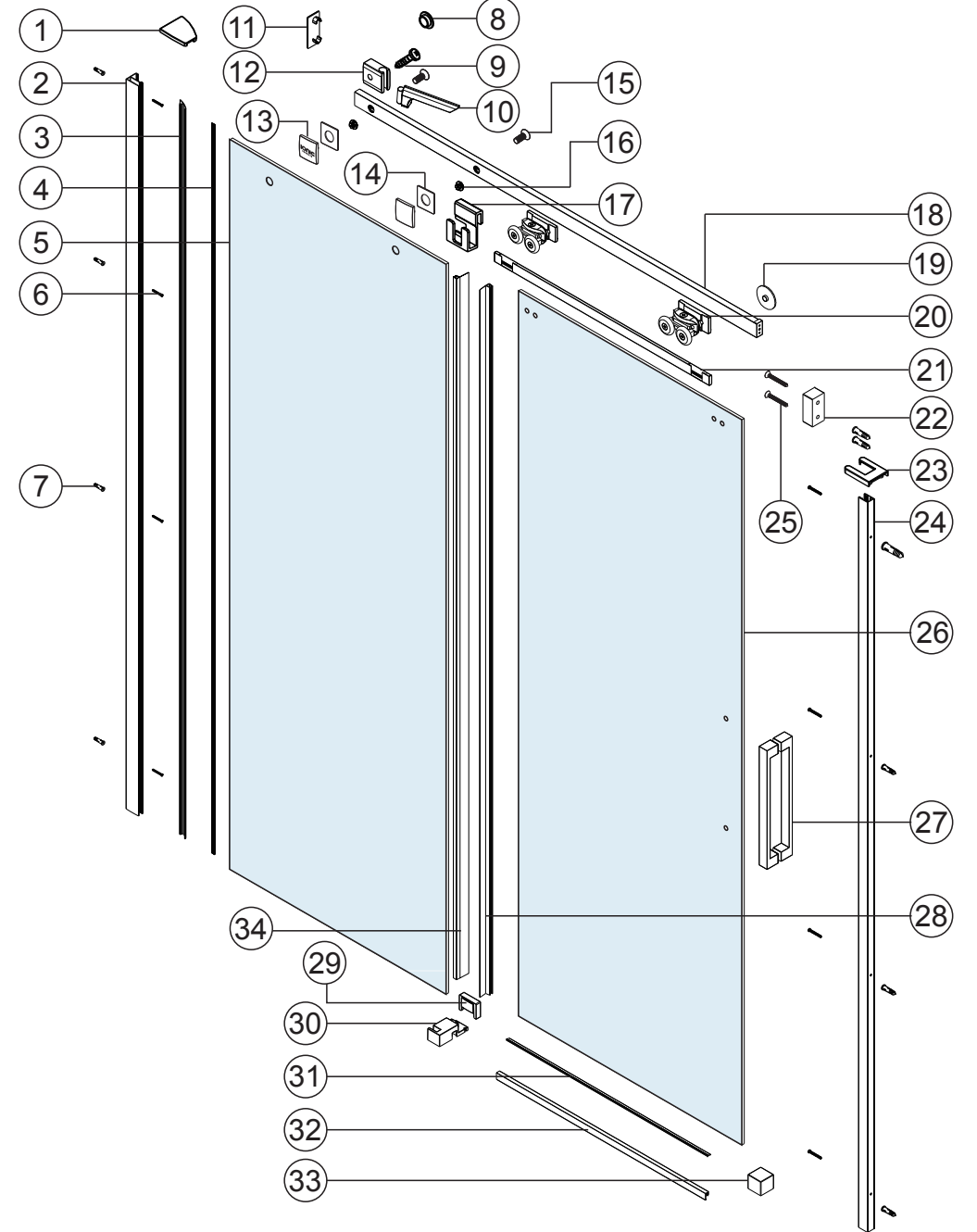
Mershield **IONIC** SHOWERING
Stayclear Glass Protection

This glass is "Easy to clean".

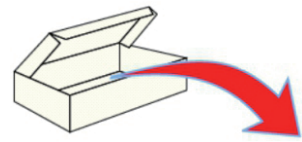
Mershield Stayclear coating is pre-applied on the inside glass to help prevent the build-up of lime scale and soap deposits making the shower glass easier to clean!

Available on all **IONIC Express, Essence & Wetroom** ranges.

Size	Adjustment	Opening space
1000	950-990	365
1100	1050-1090	415
1200	1150-1190	465
1300	1250-1290	515
1400	1350-1390	565
1500	1450-1490	565
1600	1550-1590	565
1700	1650-1690	565



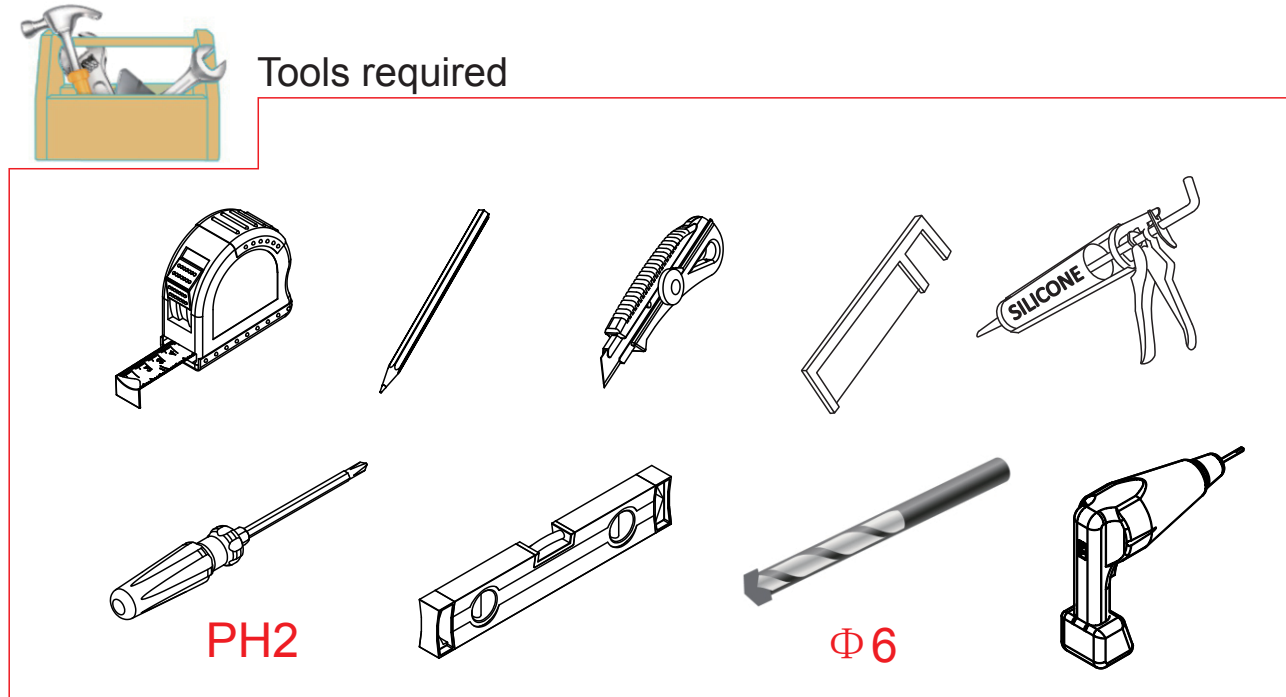
No.	Qty	Description	Part No.	No.	Qty	Description	Part No.	No.	Qty	Description	Part No.
①	1	Cover cap	A01S0141	⑬	2	Rail fixing branded /Unbranded	A01S0400 A01S0401	⑵	2	Screw 4x50	A01S0158
②	1	Wall profile	A01S0109	⑭	2	Rail fixing washer	A01S0402	⑶	1	D	D
③	1	Cover strip	A01S0115	⑮	2	Rail fixing screw	A01S0404	⑷	1	Handle	A01S0126
④	1	Wedge gasket	A01S0154	⑯	2	Rail fixing washer	A01S0412	⑸	2	Door panel upright seal	A01S0151
⑤	1	A	A	⑰	1	Rail installation tool	A01S0405	⑹	1	Bottom guide cover cap	A01S0135
⑥	8	Screw 4x30	8S410044	⑱	1	B	B	⑺	1	fixed panel guide	A01S0261 A01S0134
⑦	10	Wall plug	8SSJ066	⑲	1	Cover cap	A01S0167	⑽	1	Bottom seal	A01S0152
⑧	1	Roller stop cap	A01S0140	⑳	2	Roller	A01S0125	⑾	1	Luna rail	A01S0119
⑨	1	Roller stop screw	A01S0156	㉑	1	C	C	⑿	1	Closing post footplate	A01S0136
⑩	1	Roller stop	A01S0703	㉒	1	Rail extension block	A01S0146	⓫	1	Fixed panel upright seal	A01S0173
⑪	1	Rail cap	A01S0137	㉓	1	Post cover cap	A01S0142				
⑫	1	Roller stop frame	A01S0138	㉔	1	Closing post	A01S0114				



Fixing Kit

A01S0141 R x1	A01S0141 L x1	A01S0142 x1	A01S0136 x1						
A01S0126 x1	A01S0125 x2	A01S0134 R x1	A01S0261 L x1	A01S0135 x1					
A01S0703 x1	A01S0138 x1	A01S0140 x1	A01S0412 x2	A01S0412 x2	A01S0144 x1	A01S0143 x1	A01S0137 x1		
A01S0146 x1	4mm A01S0149 x1	2.5mm 8S1300511 x1	A01S0167 x1	A09S0052 x1	4x30 8S410044 x8	4x9 A01S0156 x1	4x50 A01S0158 x2	6x15 A01S0404 x2	8SSJ066 x10
A01S0405 x1									

Tools required



TRAY MUST BE LEVEL IN ALL DIRECTIONS!
Ensure the shower tray is level in all directions and is properly sealed to the wall. The wall must be tiled down to the top edge of the tray.
Do not angle out bottom tile.

TRAY MUST BE SEALED FULLY AROUND WHERE THE TRAY MEETS THE WALL.

100% Level!!

SILICONE

Size	X
1000	950-990
1100	1050-1090
1200	1150-1190
1300	1250-1290
1400	1350-1390
1500	1450-1490
1600	1550-1590
1700	1650-1690

2D Φ6

2E 8SSJ066

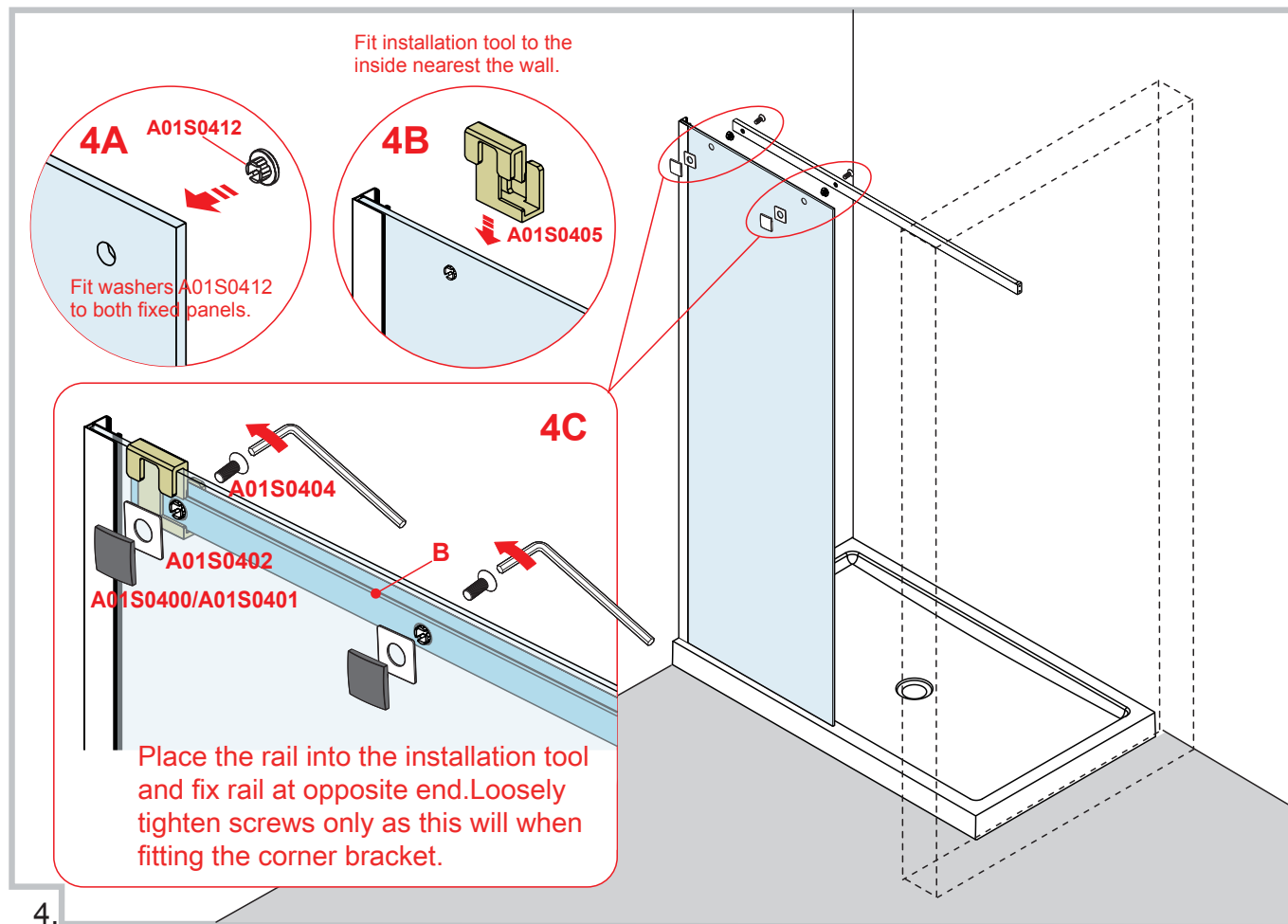
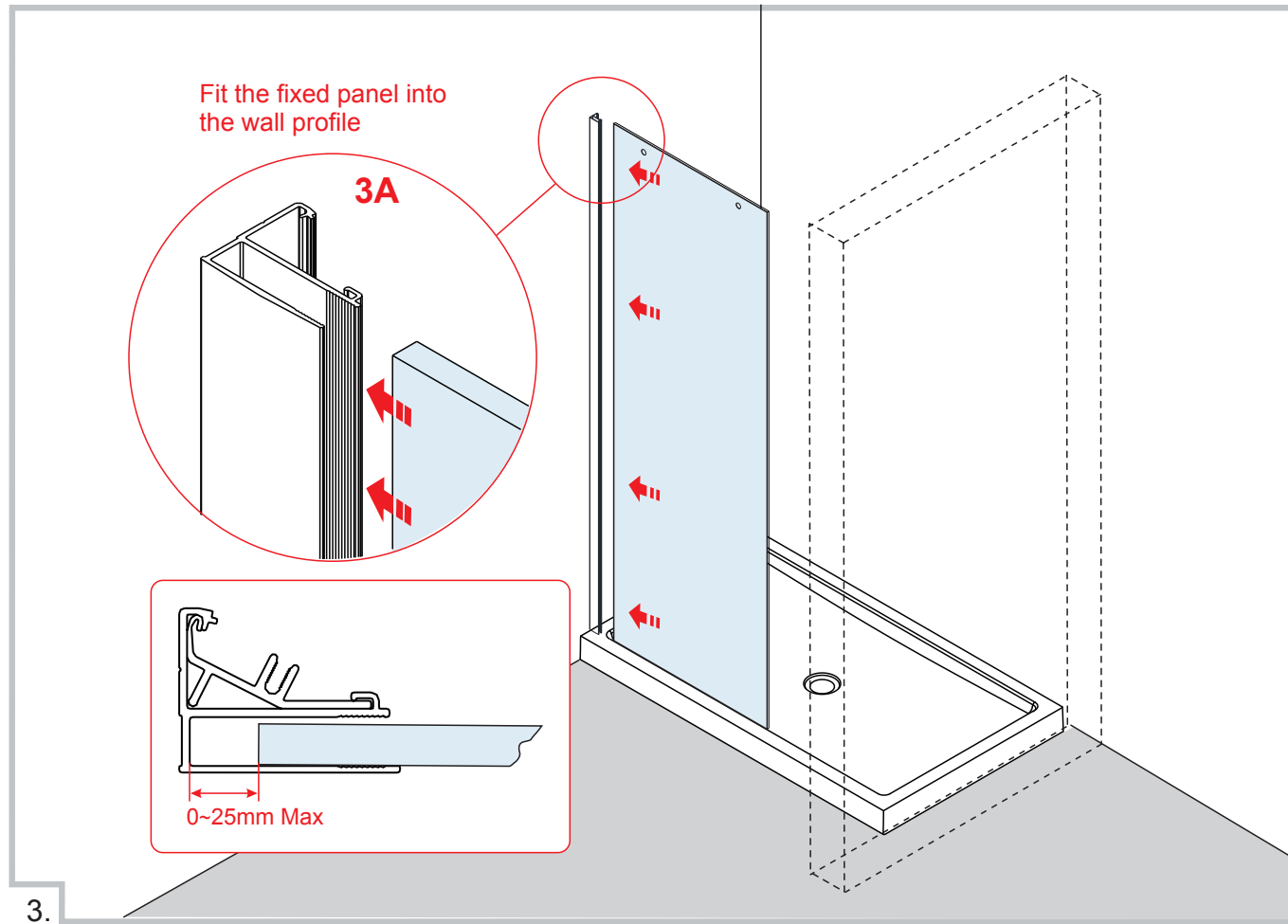
2F 8S410044 INSIDE

2B Min. 5mm

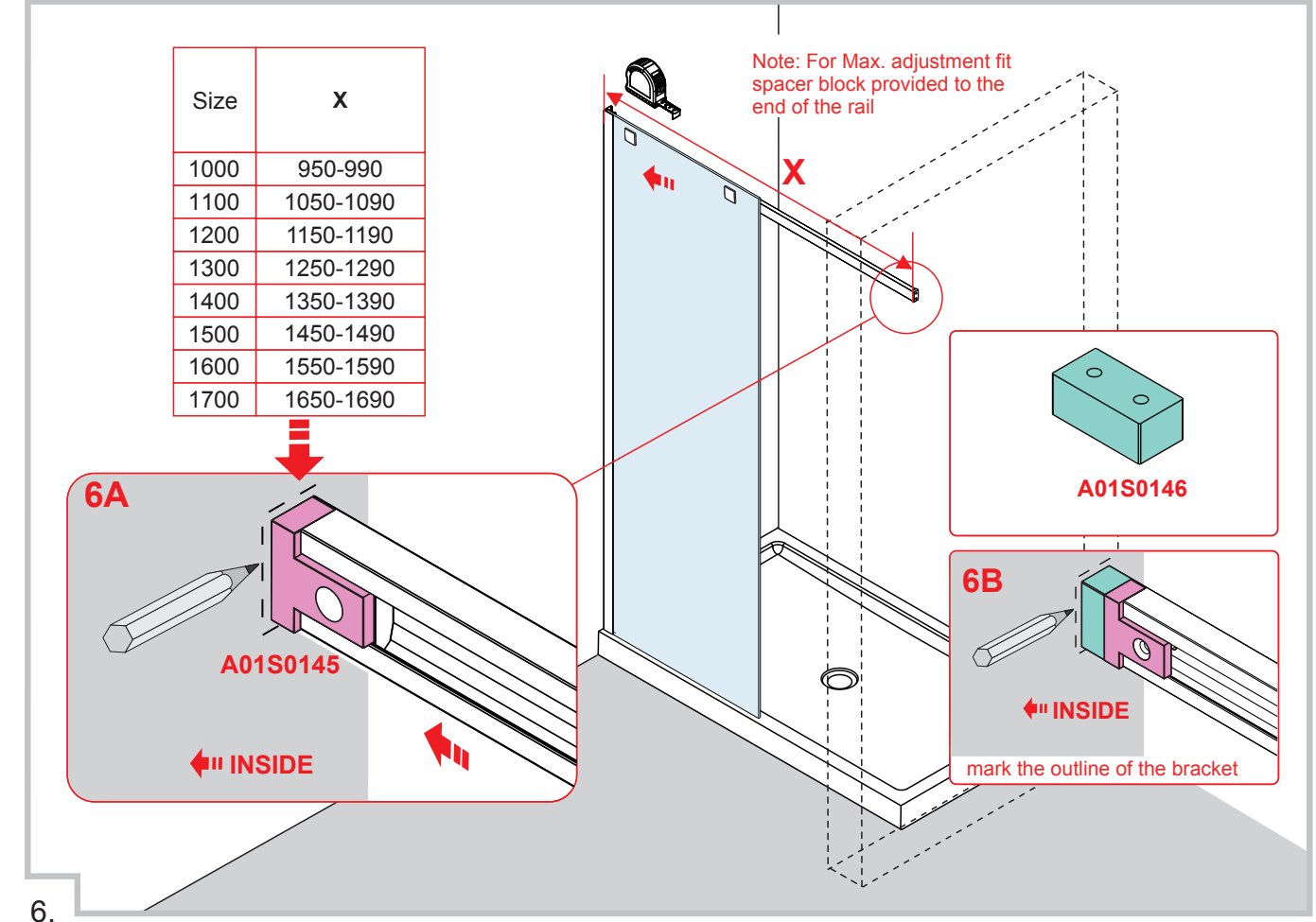
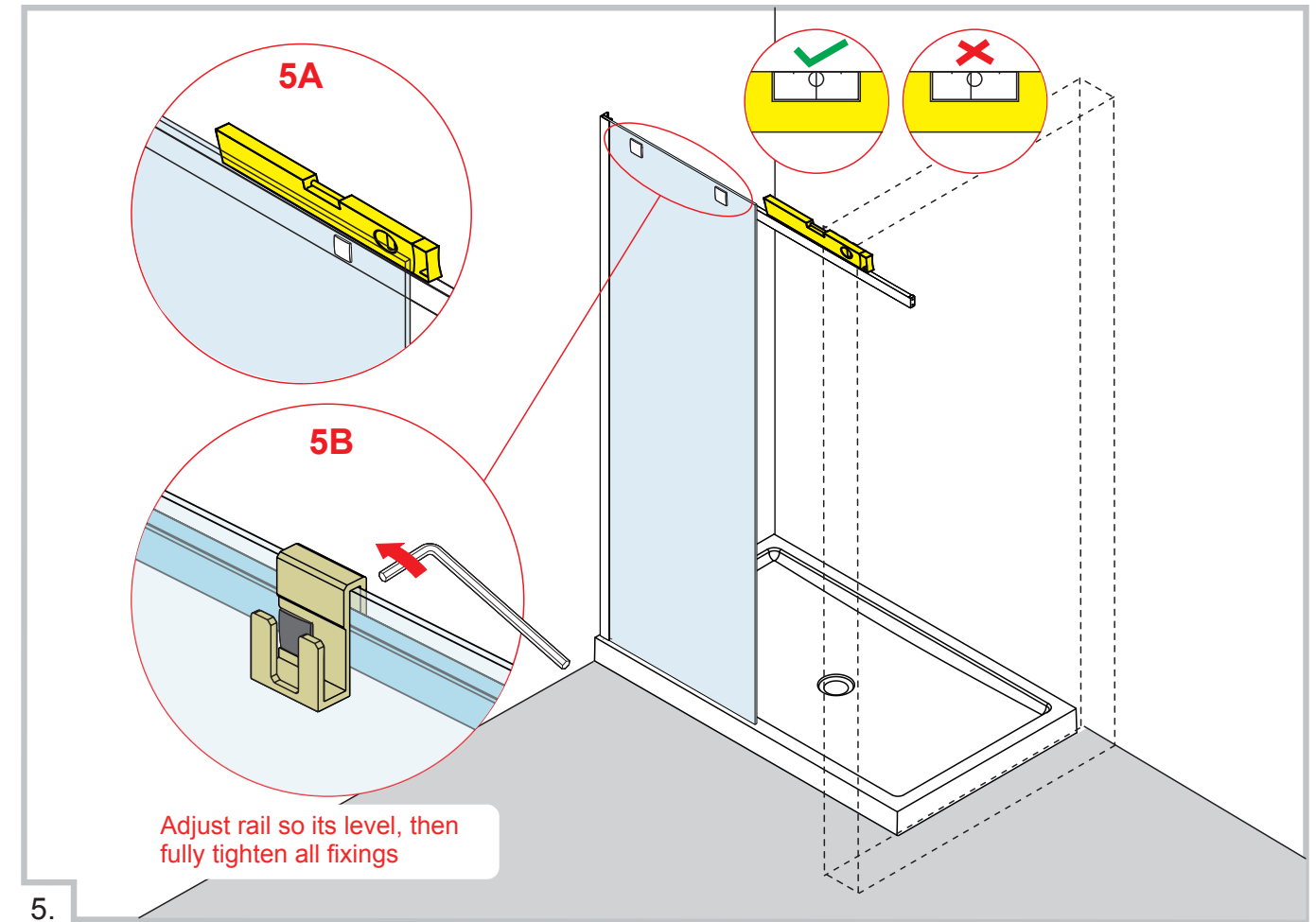
2C INSIDE

2A

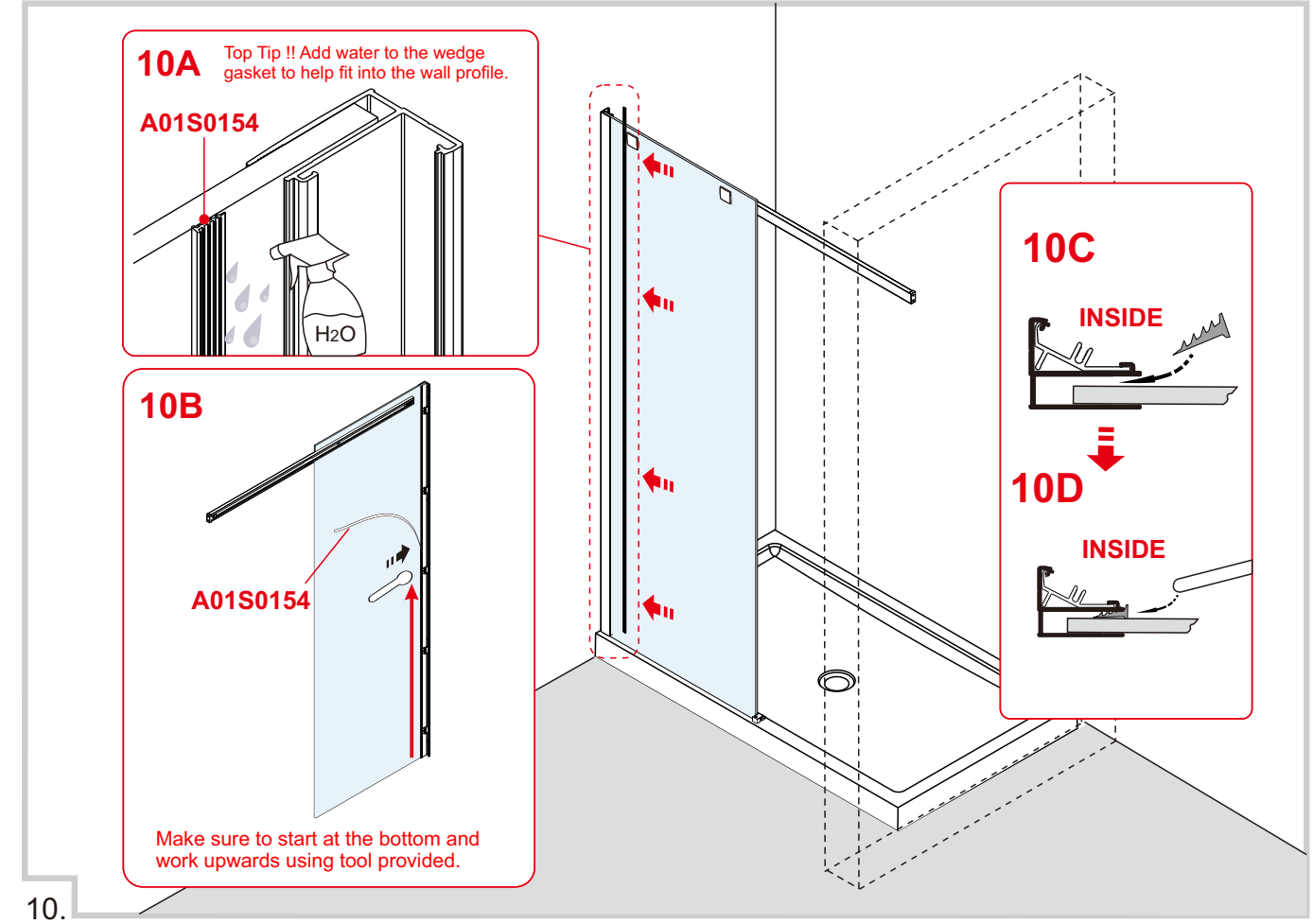
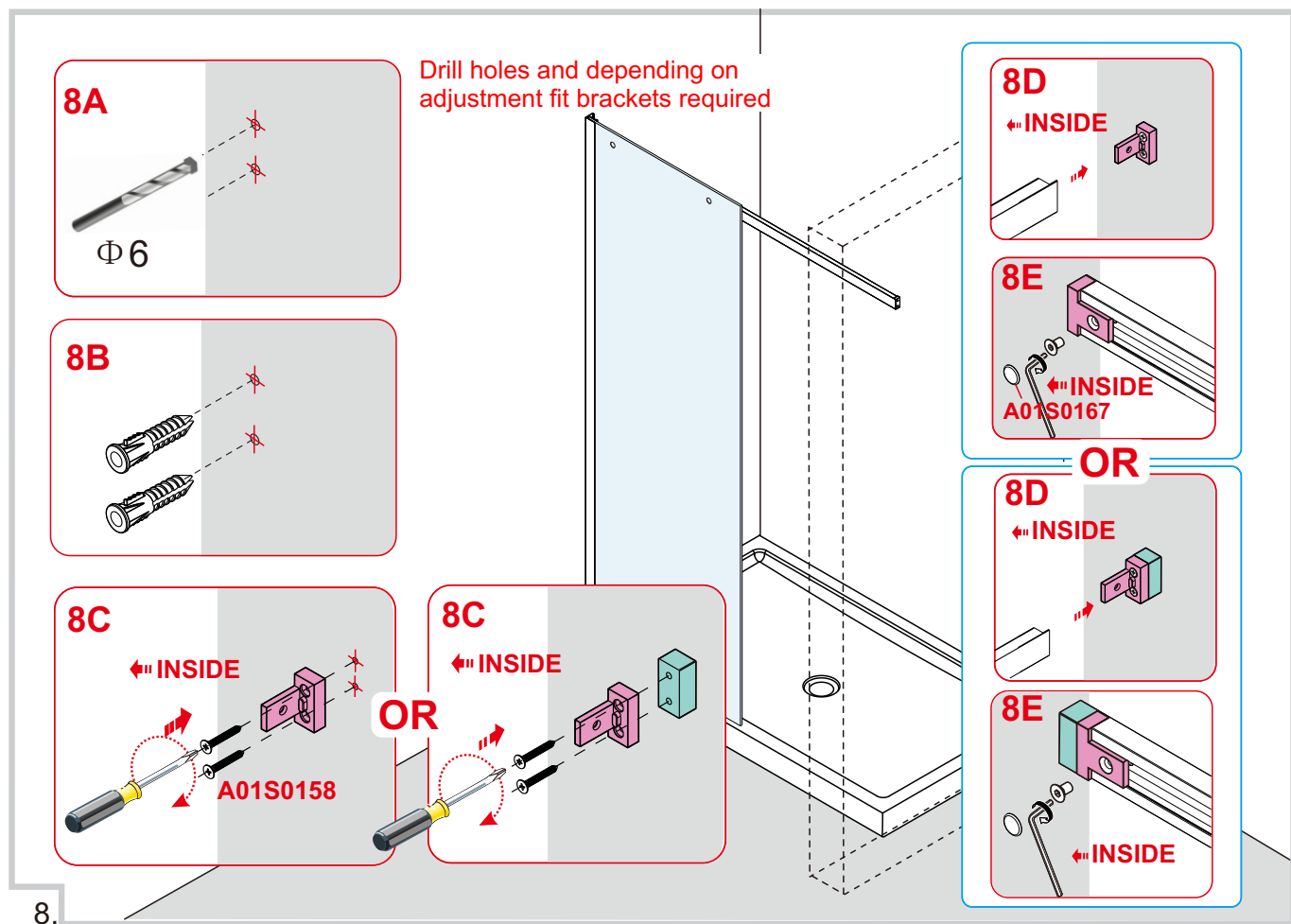
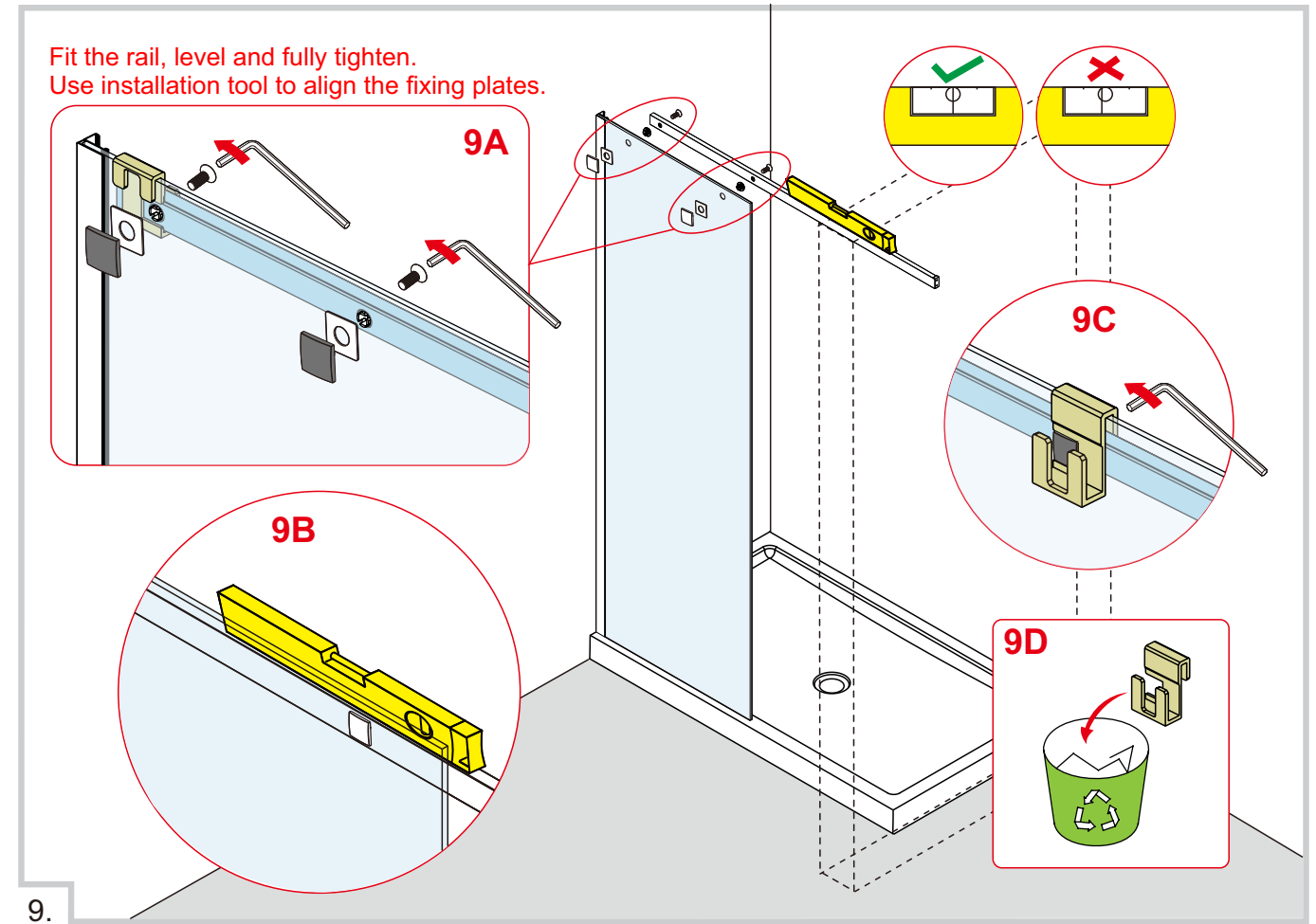
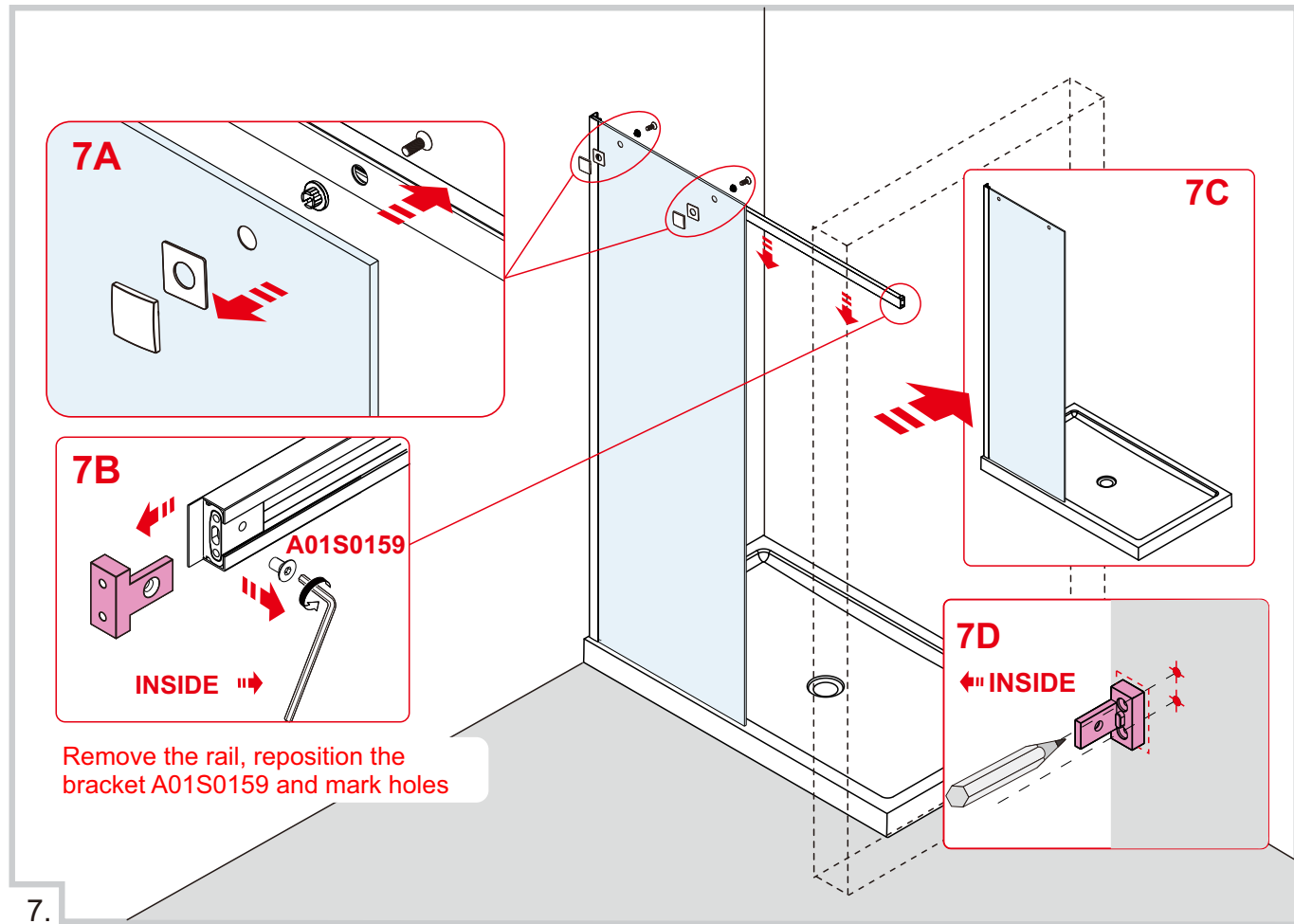
5.

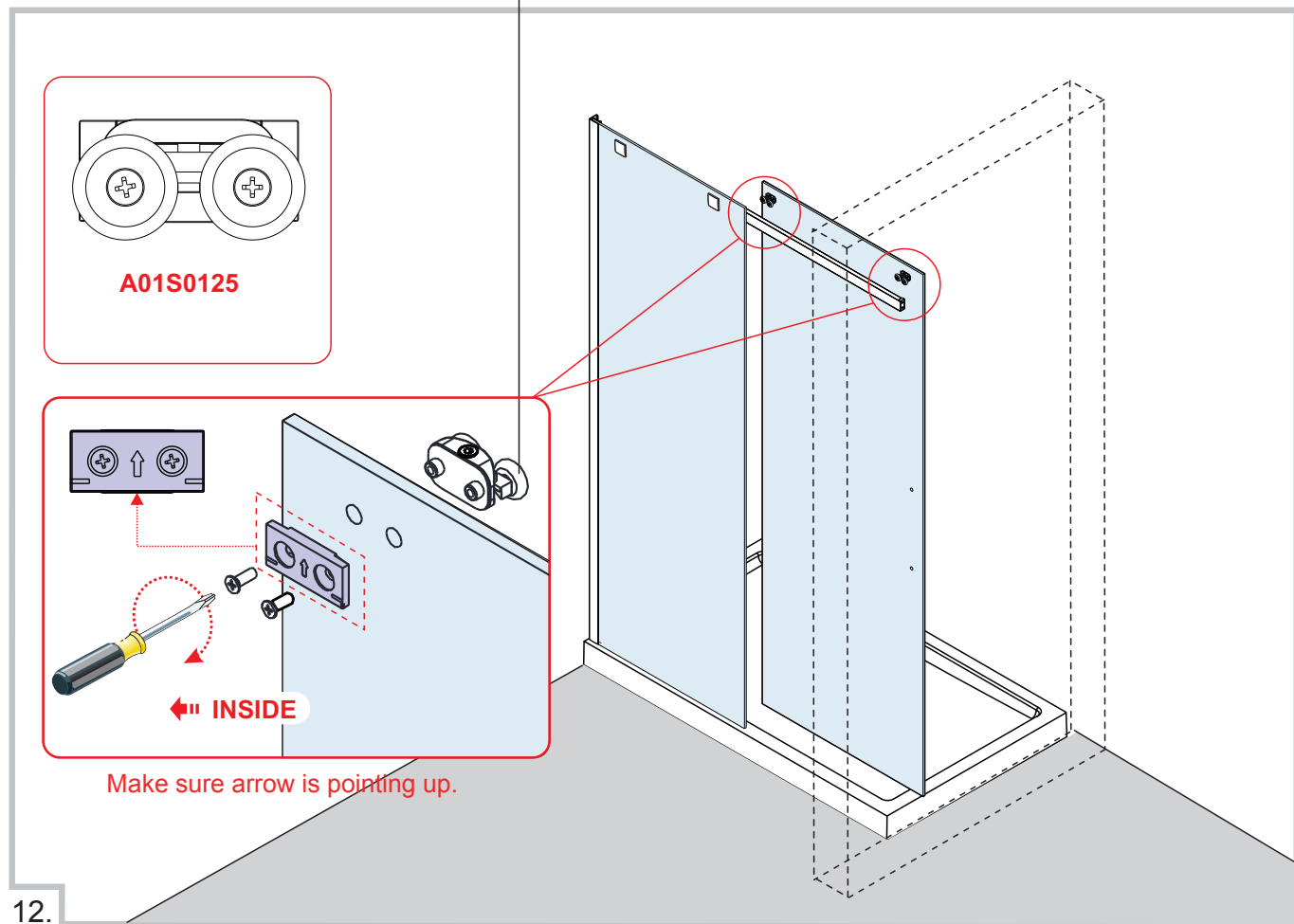
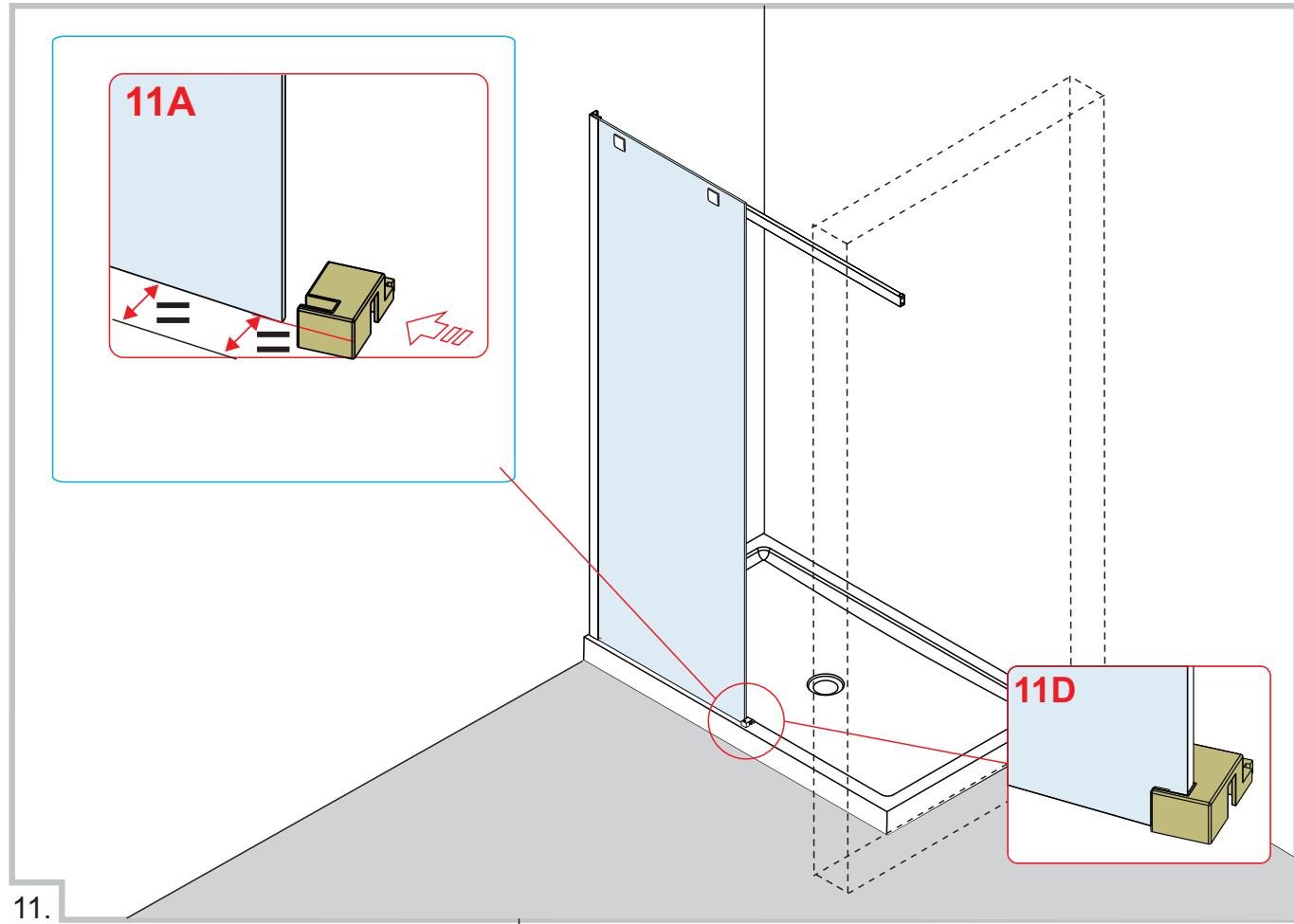


6.

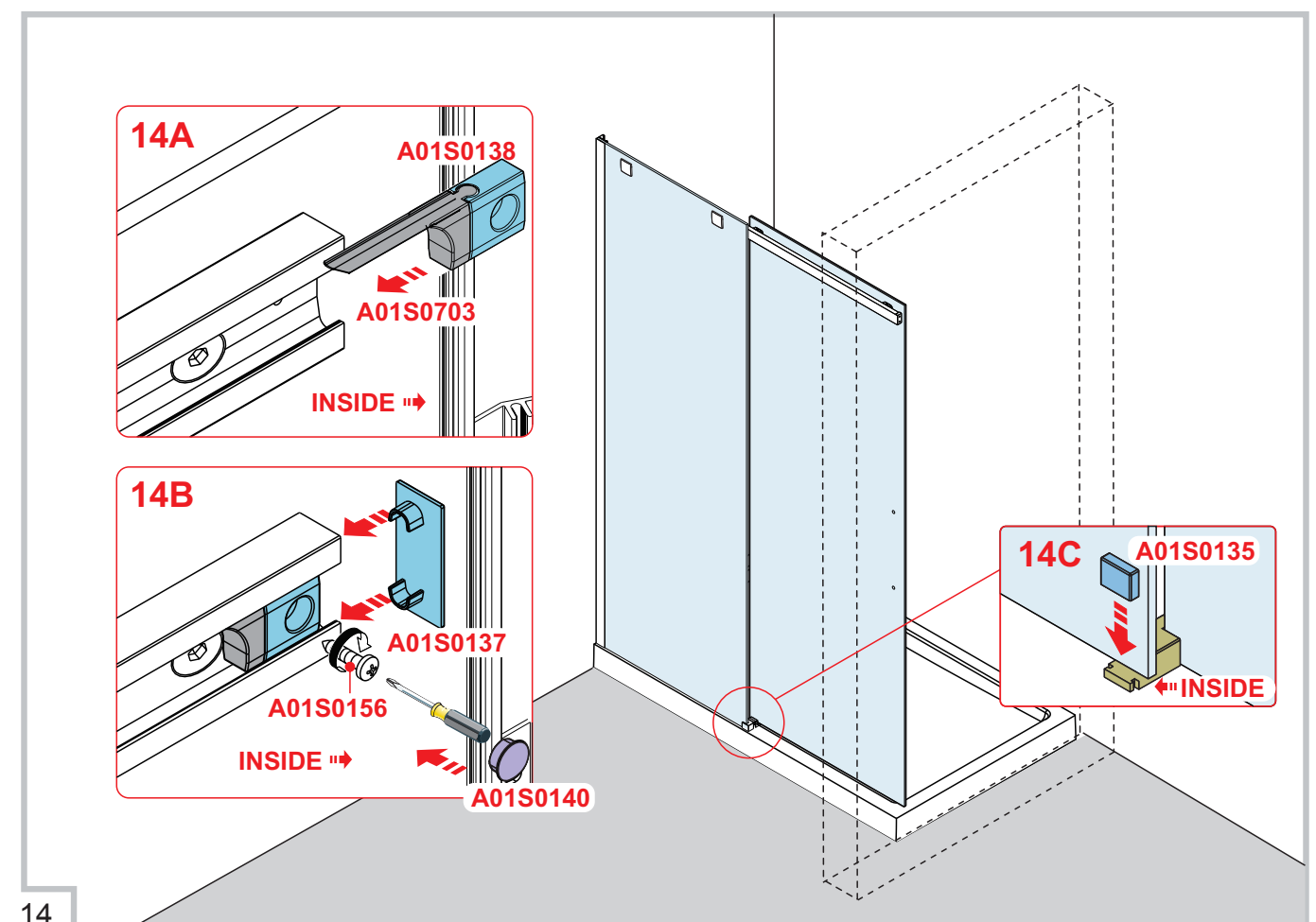
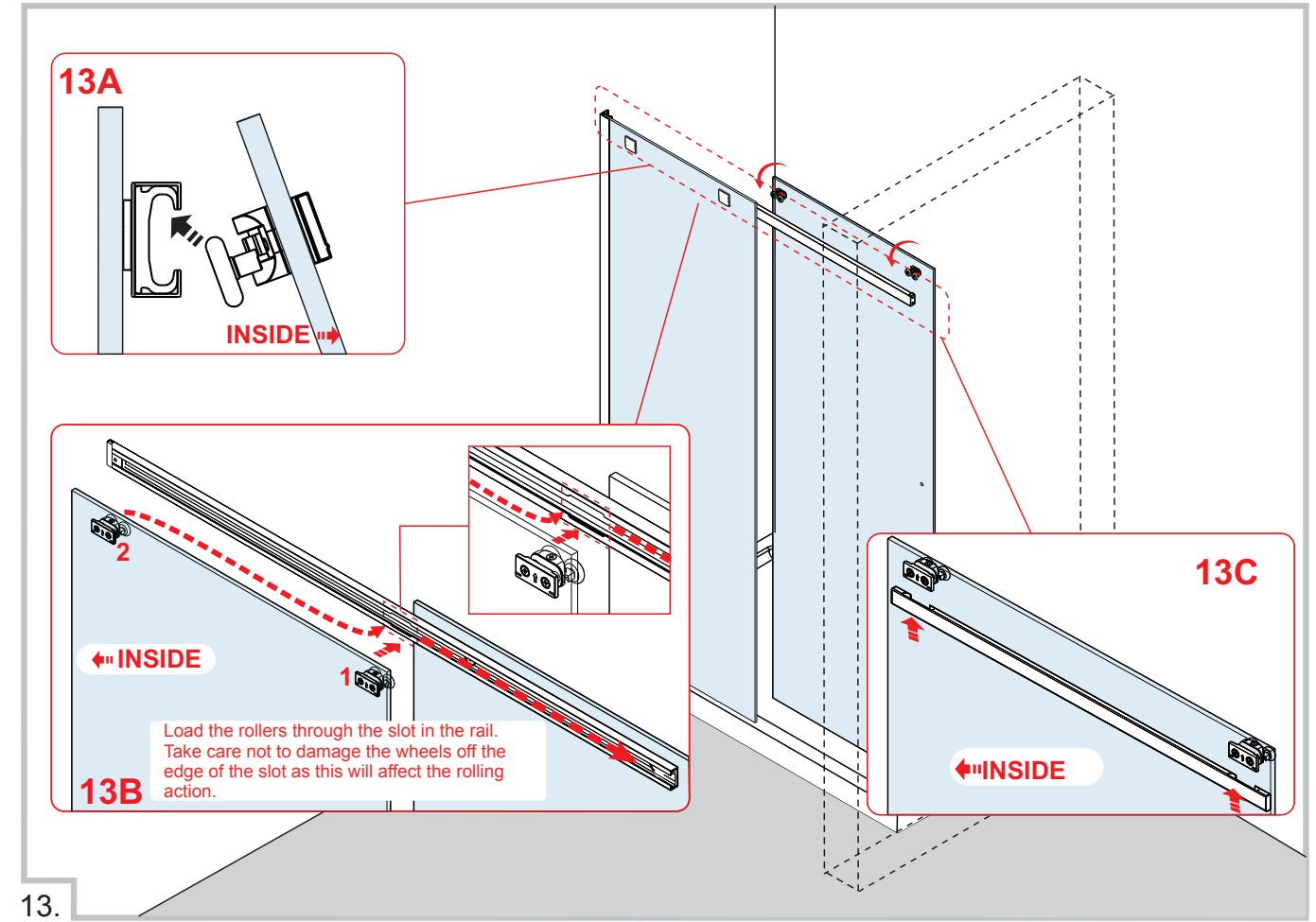


7.

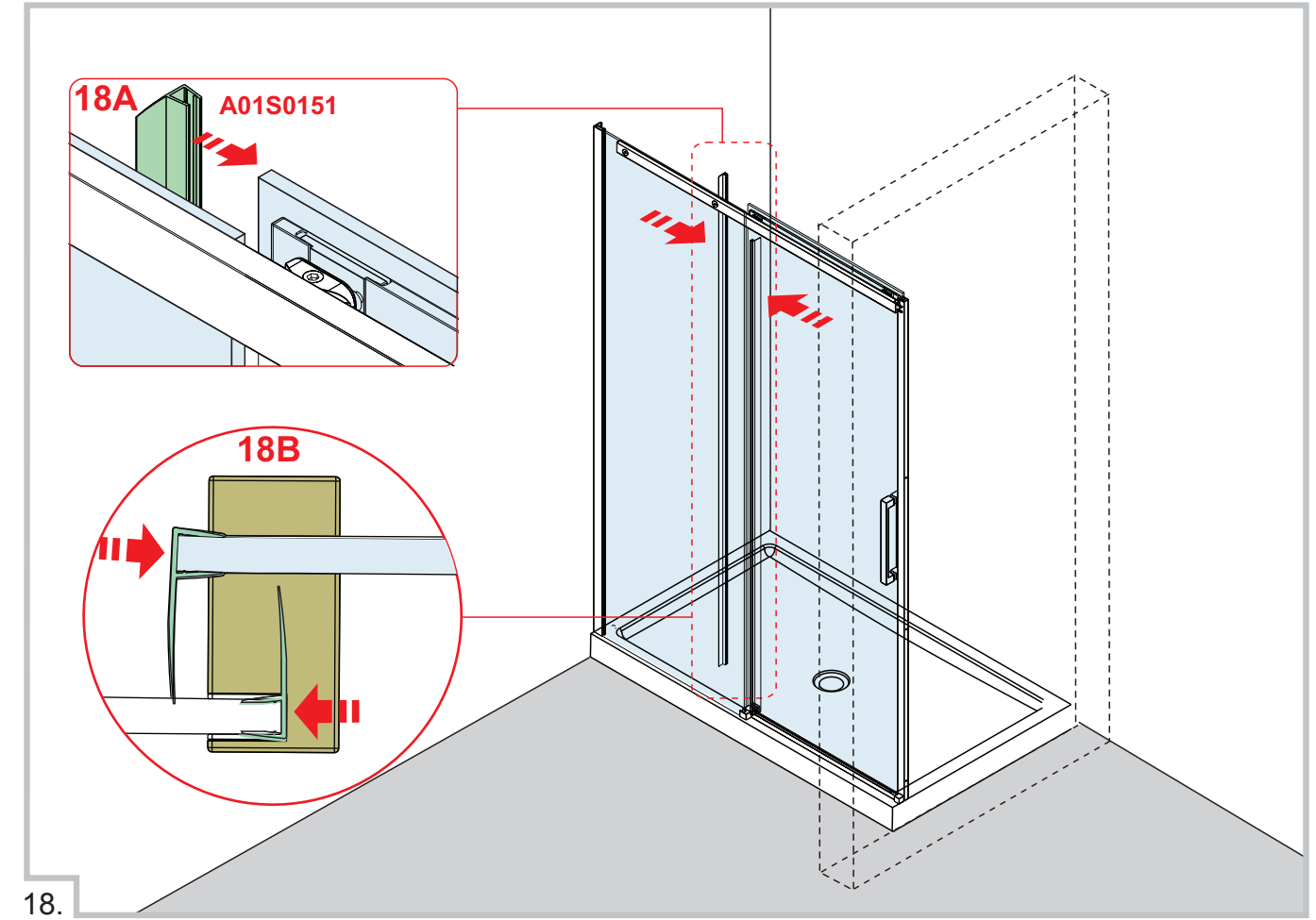
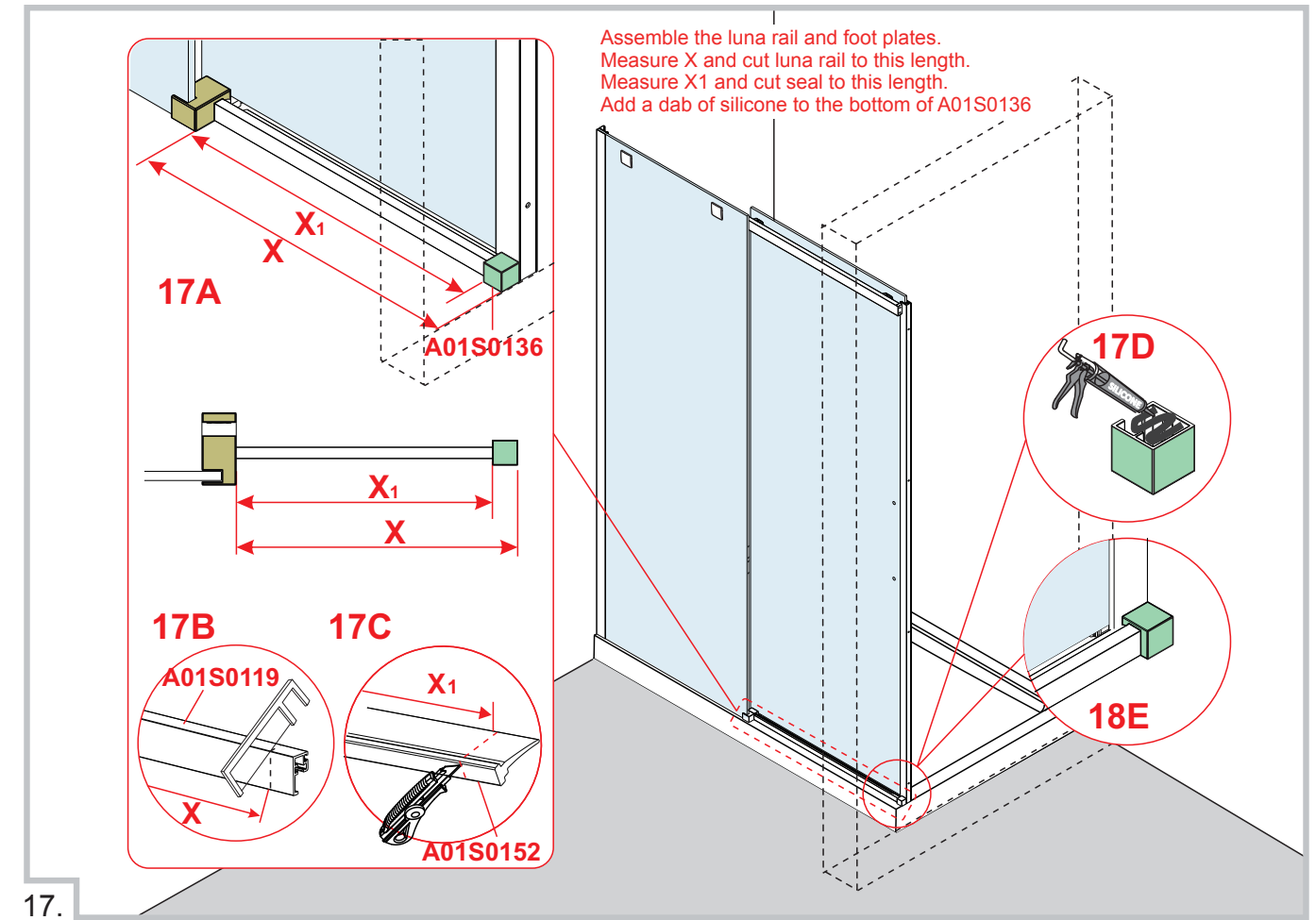
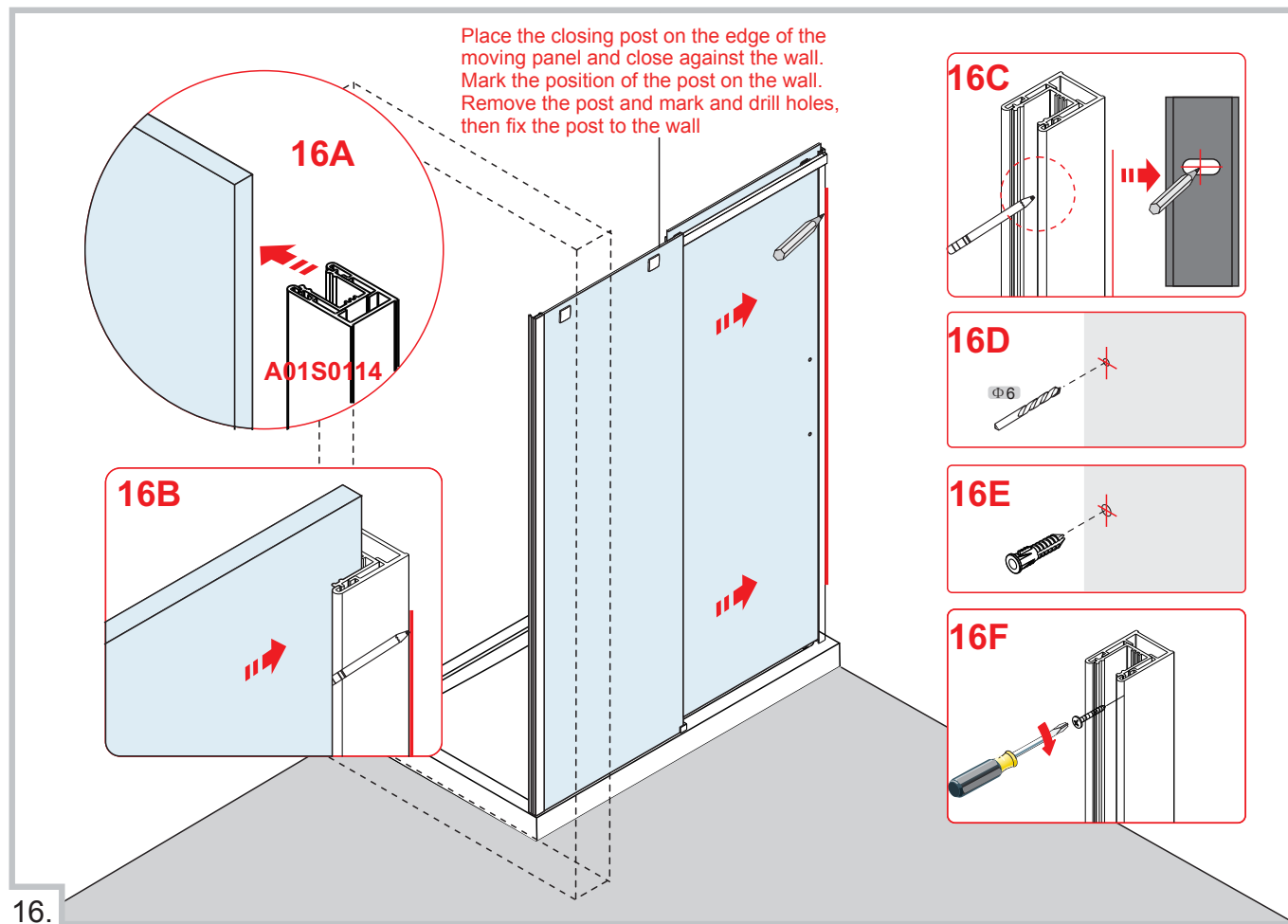
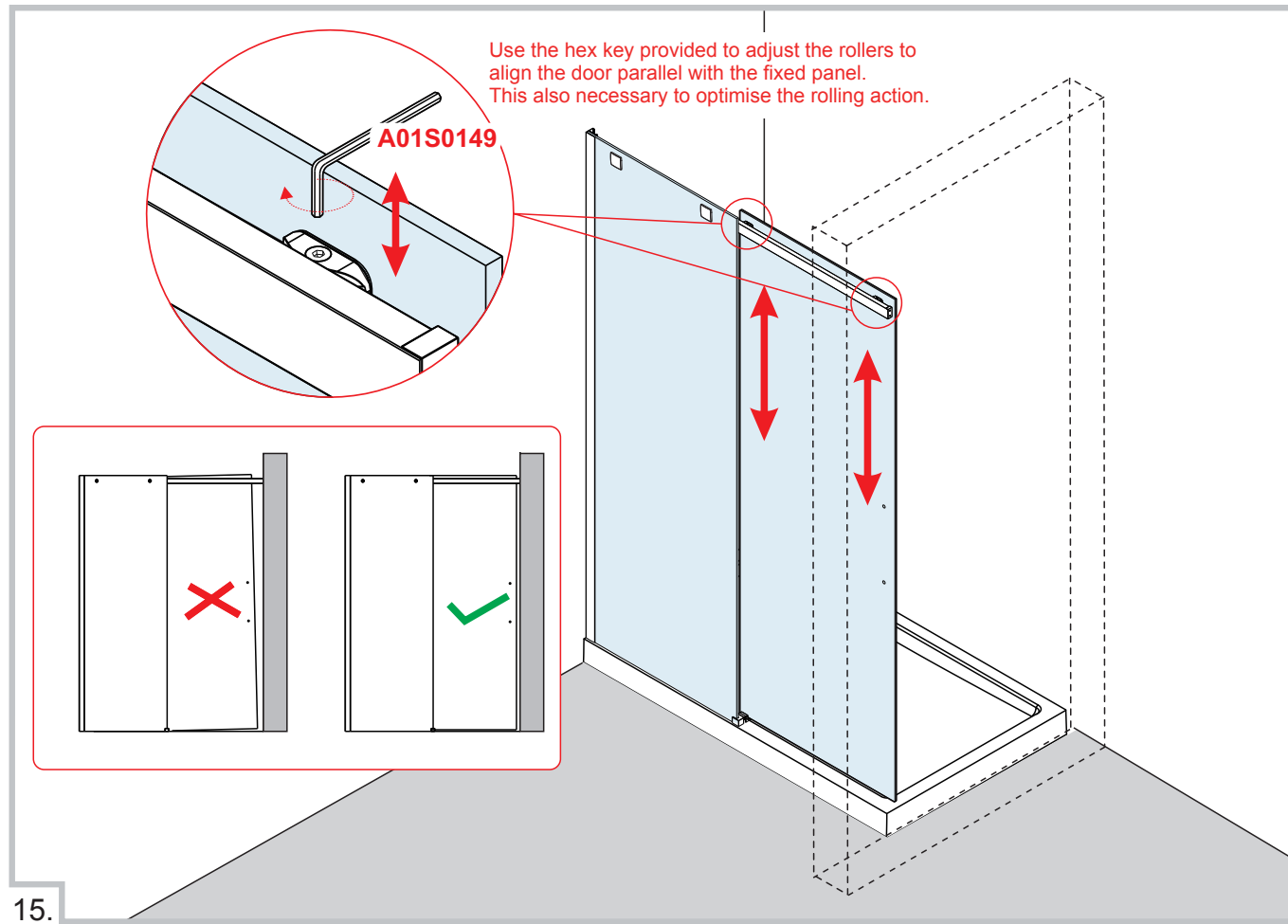


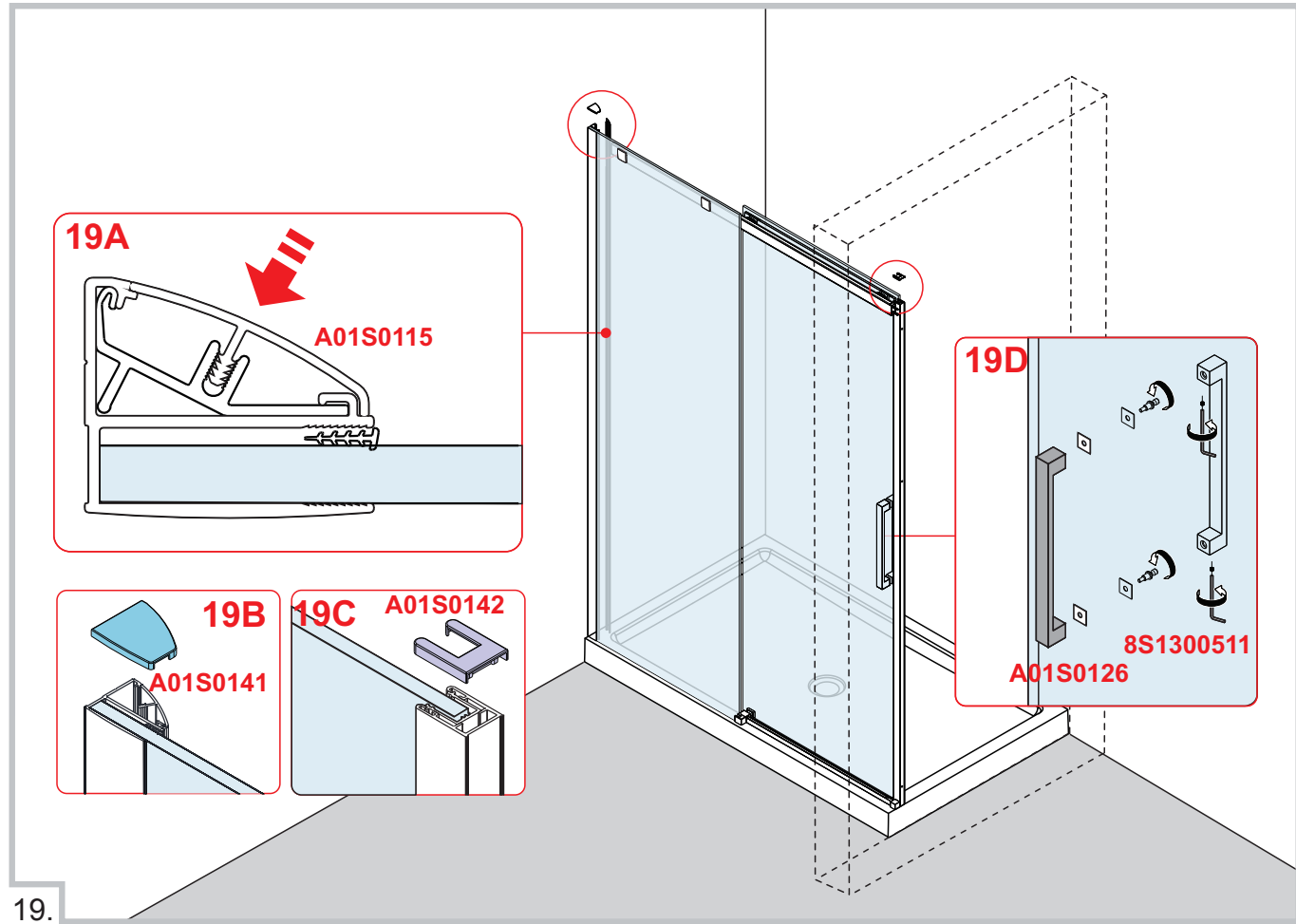


10.

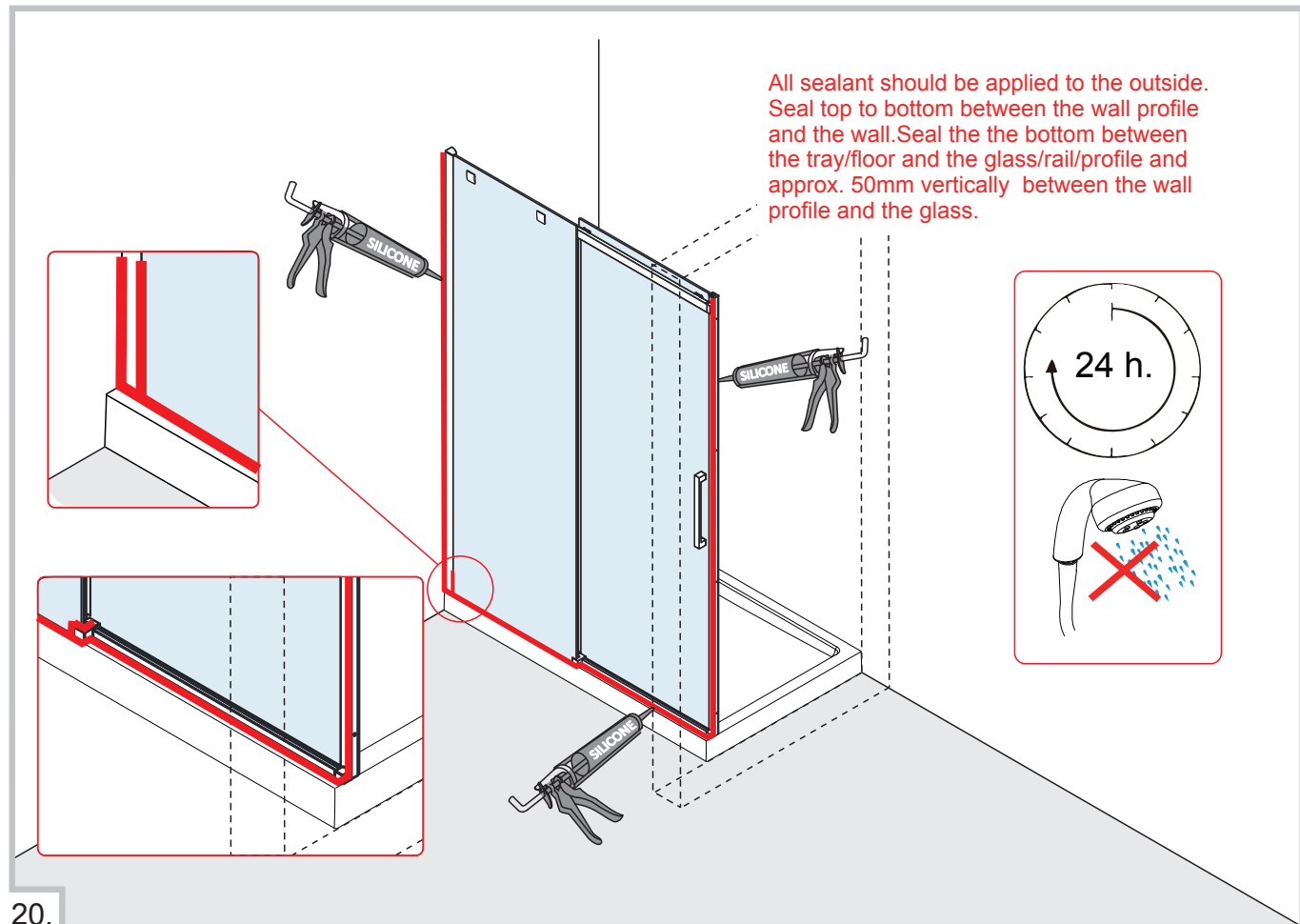


11.





19.



20.

IMPORTANT

Thank you for choosing Merlyn. Please familiarise yourself with the fitting instructions before commencing fitting.

- 1 Check that you have the tools required
- 2 Check that the installation site is compatible with size of door supplied
- 3 Check all the enclosure components
- 4 Check that the installation kit is complete

DO NOT attempt to install the product unless you can tick **ALL 4** boxes as satisfactory.

The wall plugs supplied with the installation kit are for use in solid walls. Hollow or 'stud - partition' walls will require alternative fixings. Please consult a hardware supplier for the correct type. It may also be necessary to consult your tiling supplier about the correct method for drilling your tiles.

USE SAFETY EYEWEAR WHEN DRILLING

Any parts missing or damaged must be reported to your supplier within 5 days of purchase. Inspect shower enclosure before fitting. No claims will be accepted after product has been installed.




Stayclear Glass Protection

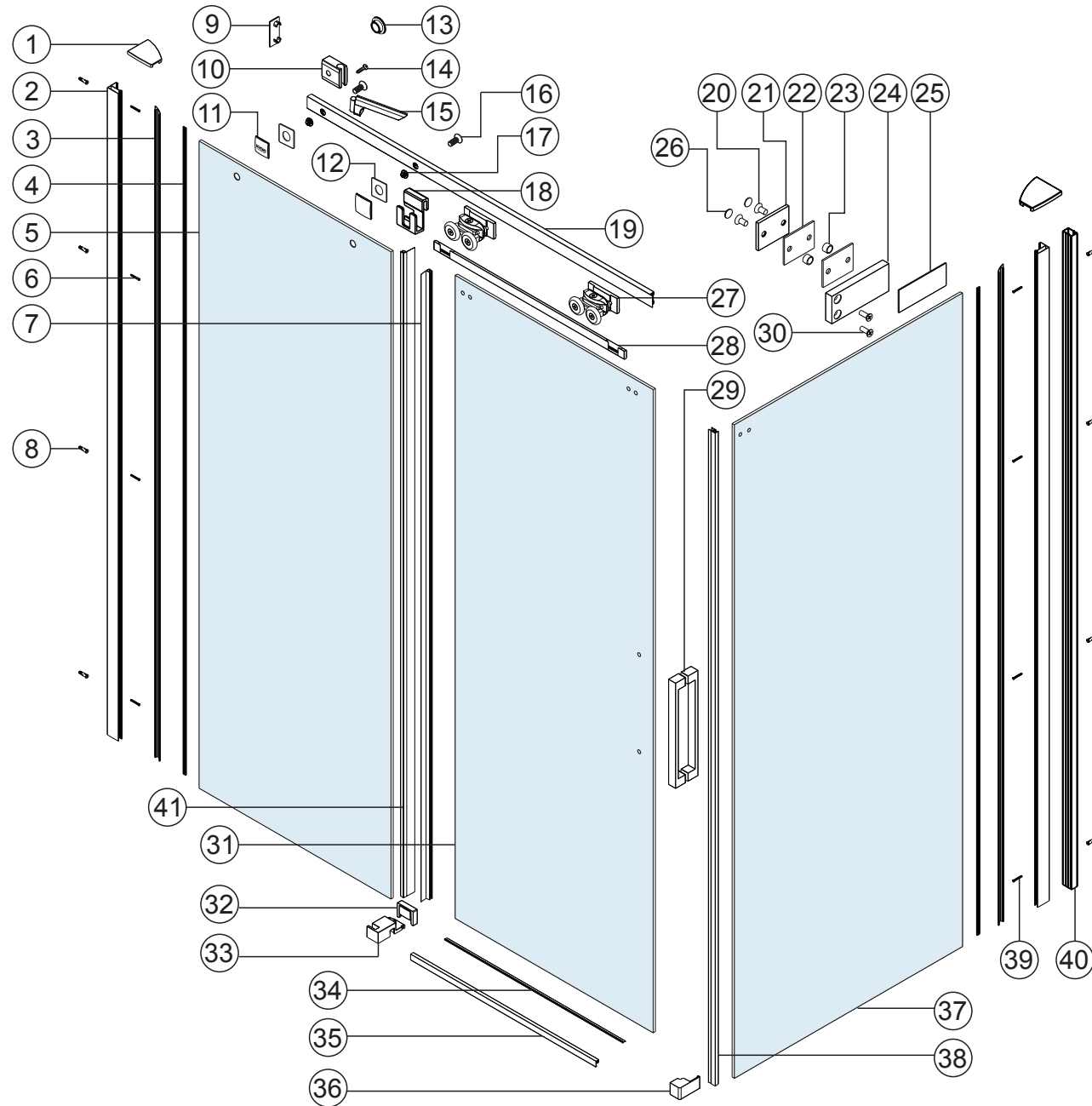
This glass is "Easy to clean".

Mershield Stayclear coating is pre-applied on the inside glass to help prevent the build-up of lime scale and soap deposits making the shower glass easier to clean!

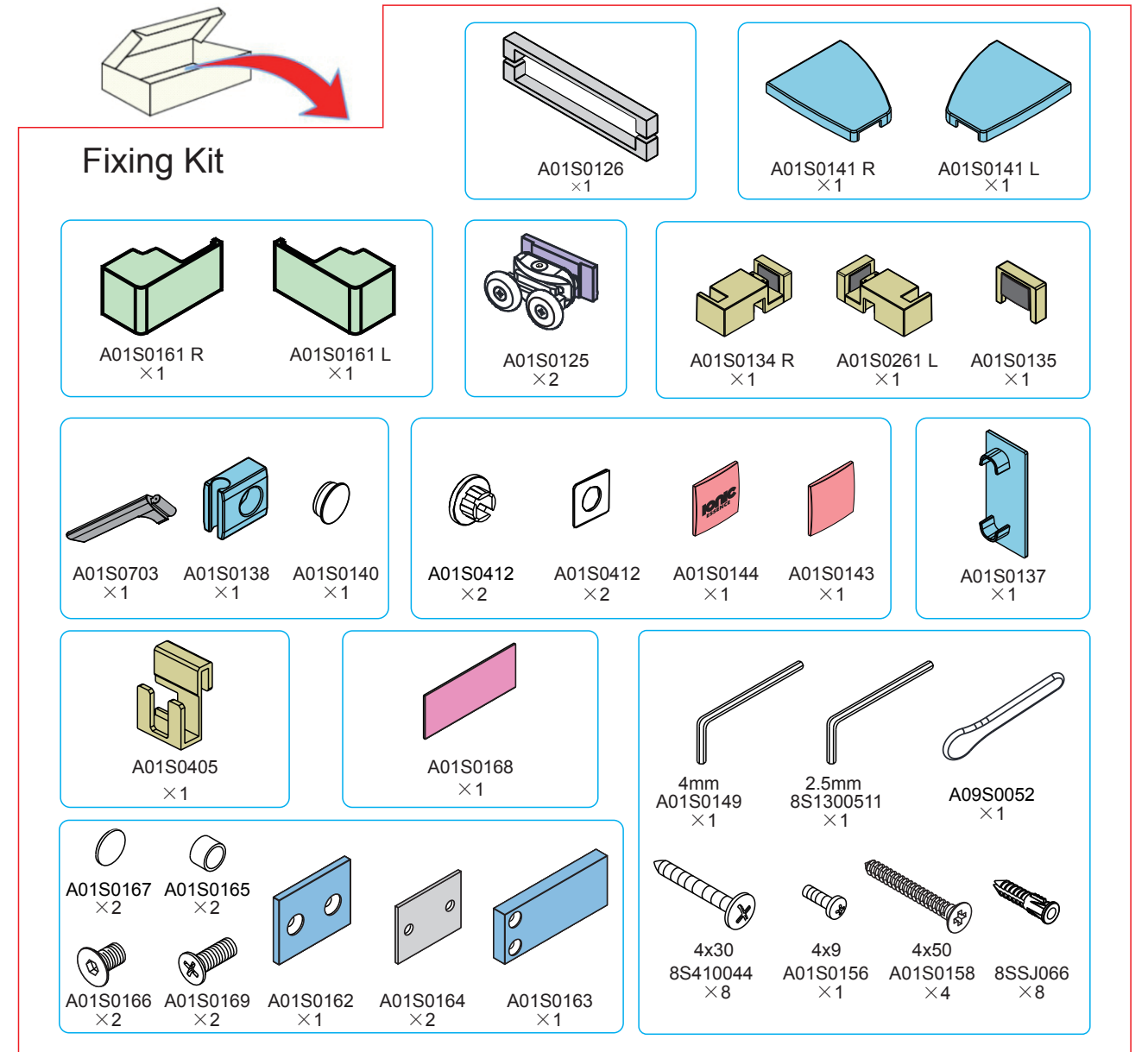
Available on all
Ionic Express, Essence & Wetroom ranges.

Size	Adjustment	Opening space
800	760-785	NA
900	860-885	NA
1000	960-985	NA

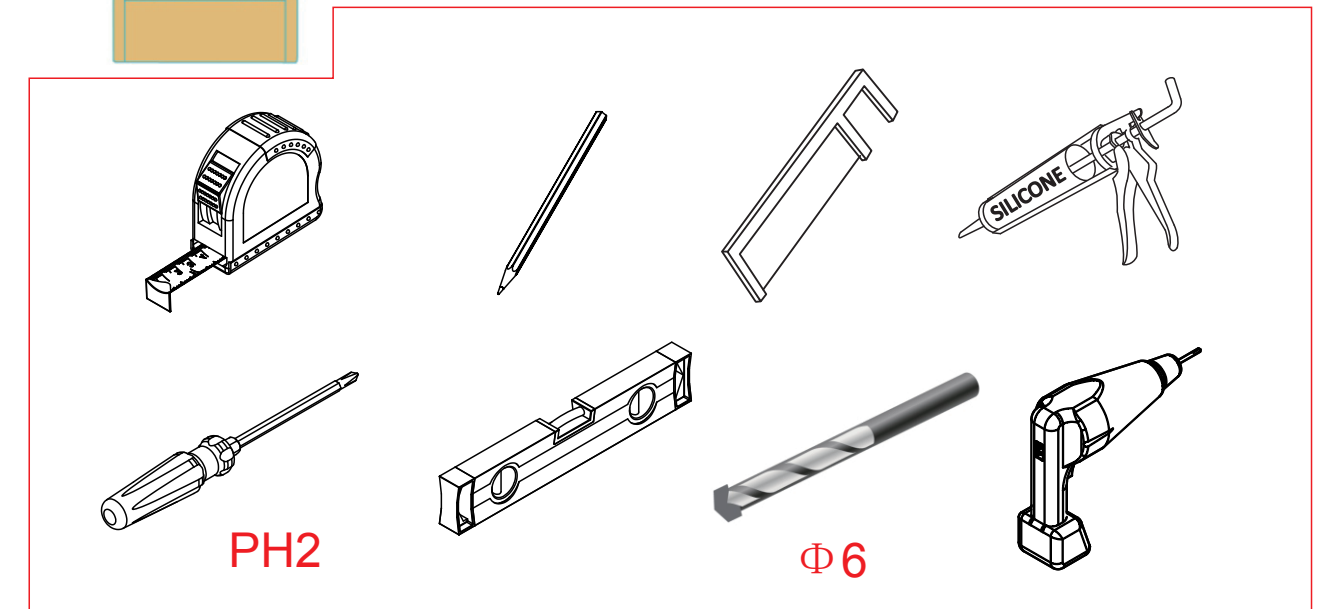
Size	Adjustment	Opening space
1000	940-985	350
1100	1040-1085	400
1200	1140-1185	450
1300	1240-1285	500
1400	1340-1385	550
1500	1440-1485	550
1600	1540-1585	550
1700	1640-1685	550

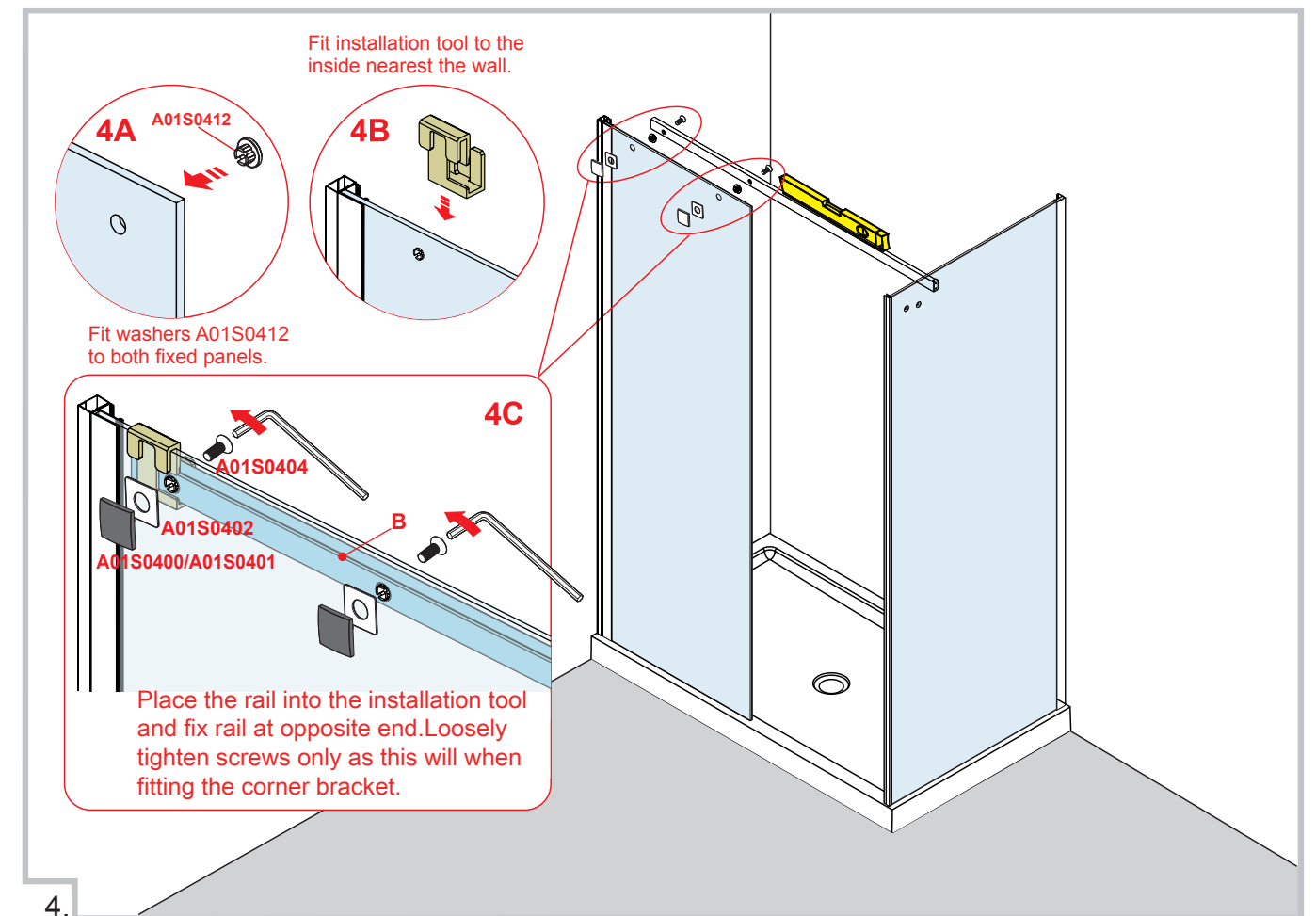
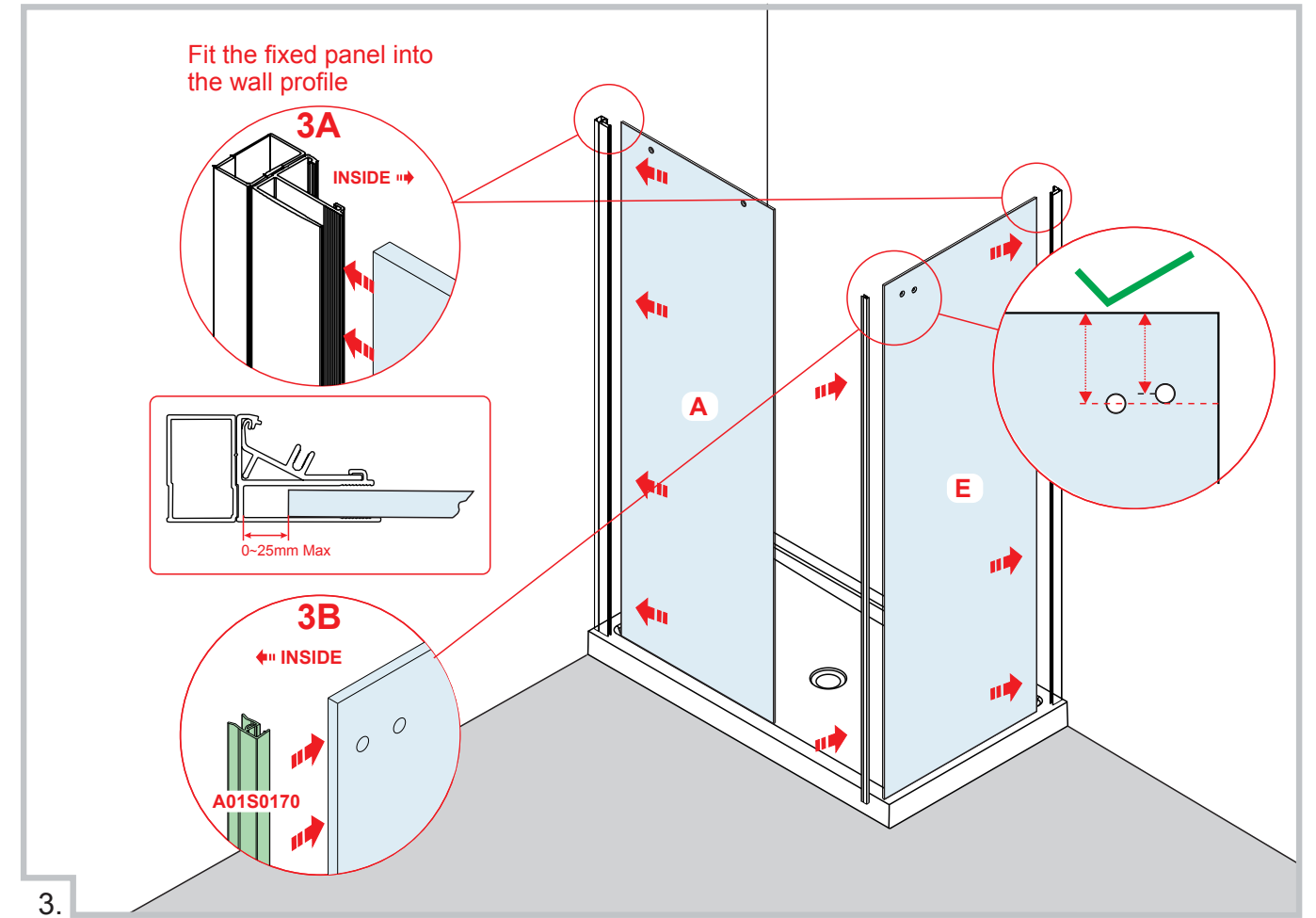
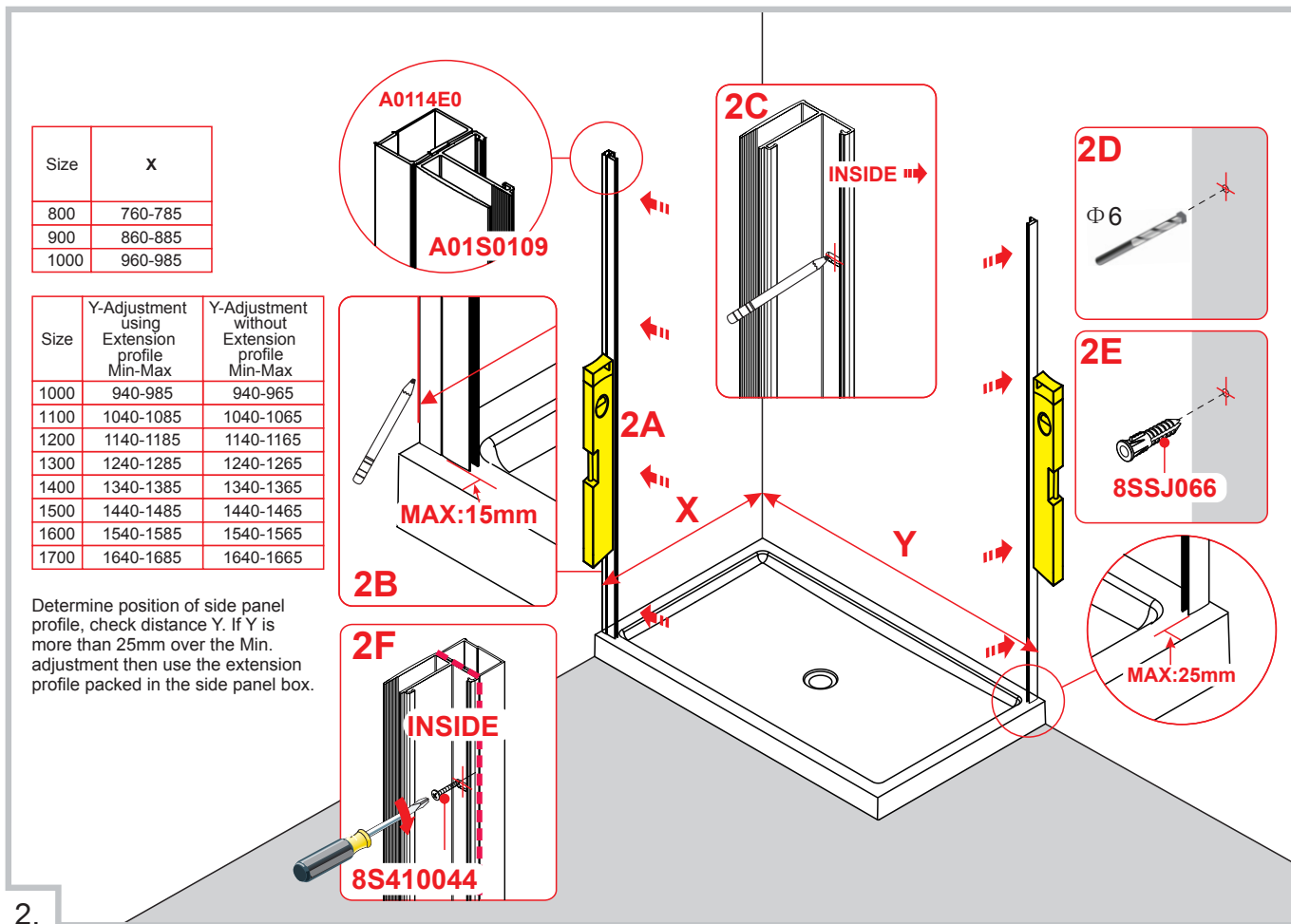
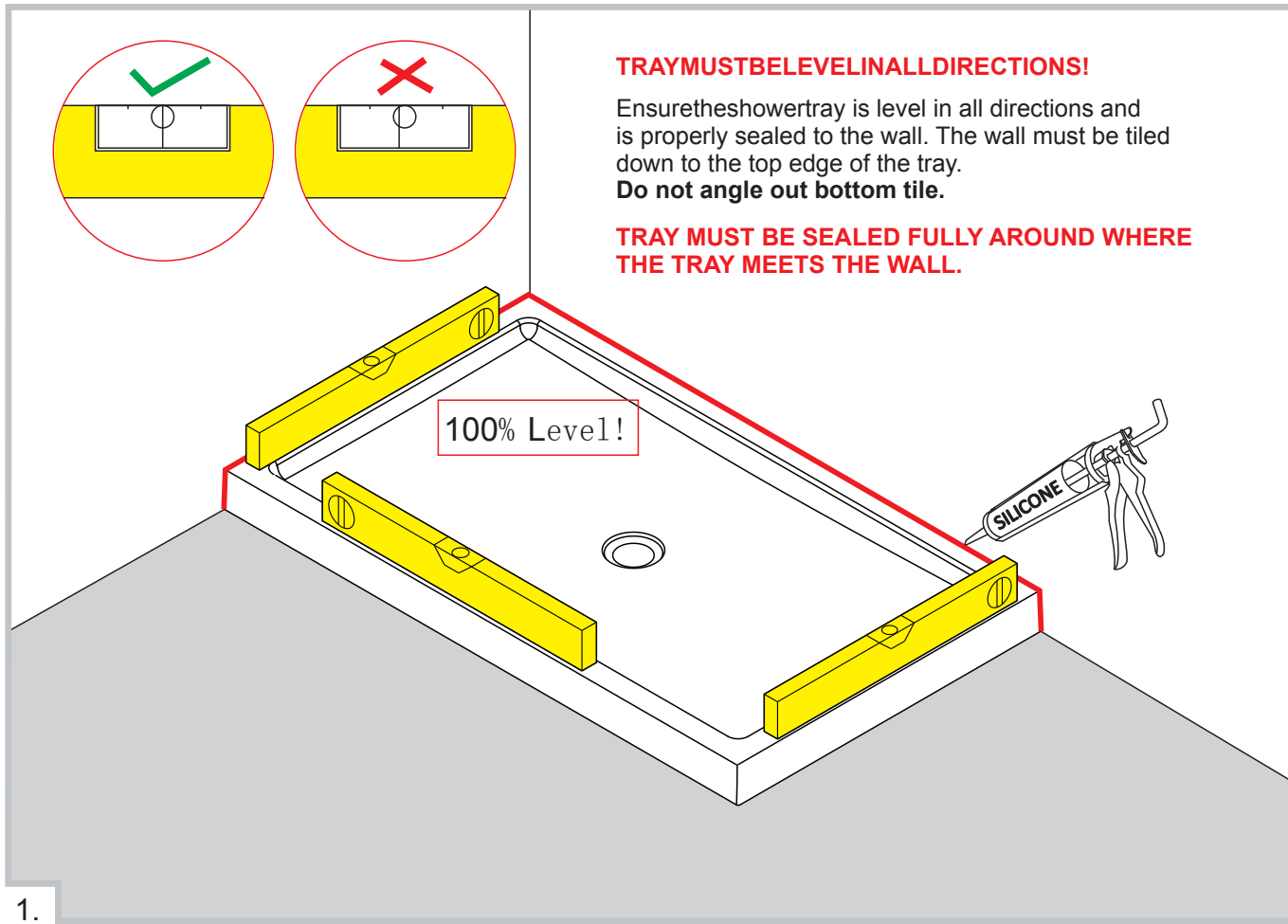


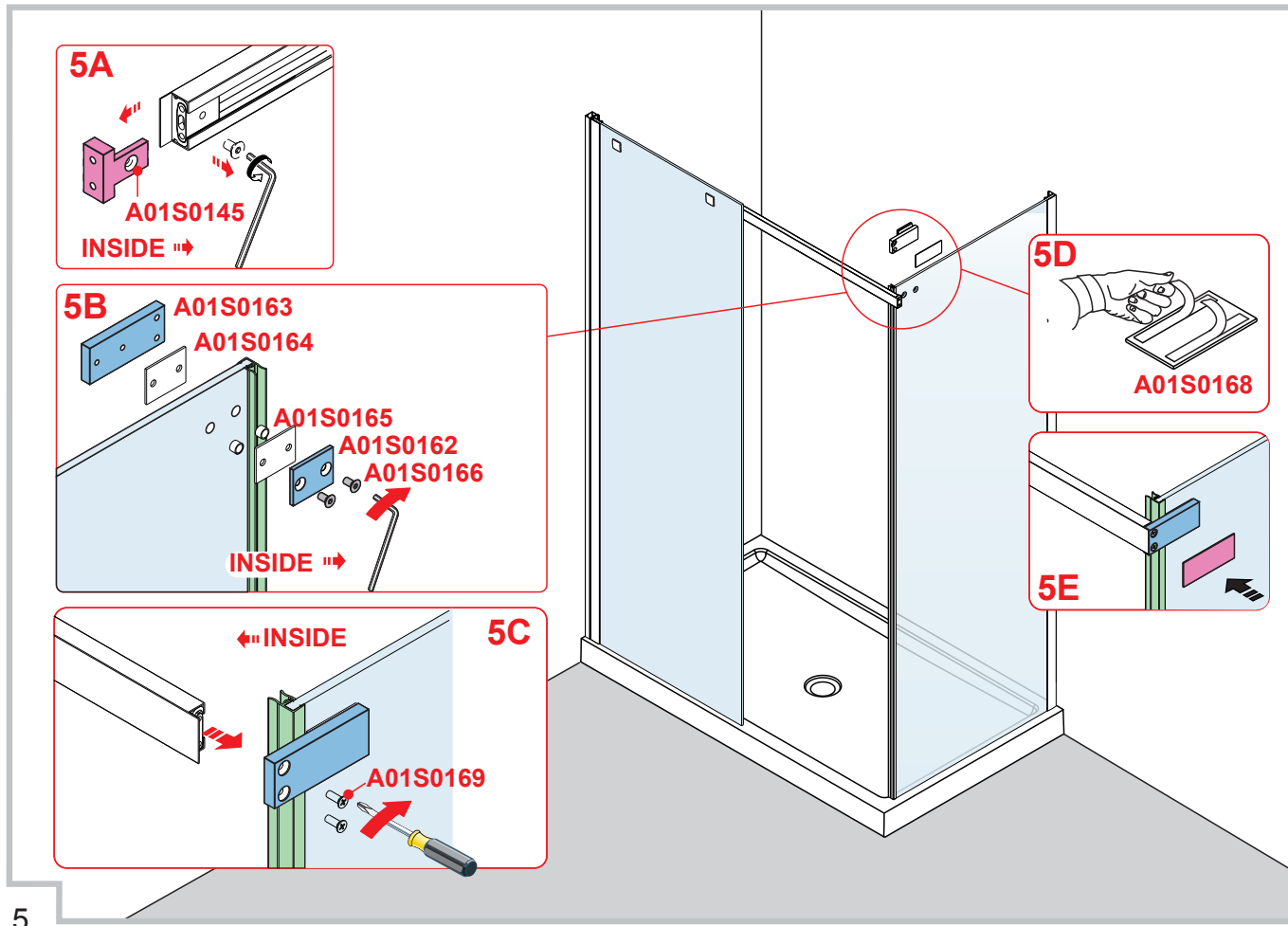
No.	Qty	Description	Part No.	No.	Qty	Description	Part No.	No.	Qty	Description	Part No.
1	1	Cover cap	A01S0141	14	1	Roller stop screw	A01S0156	28	1	Roller cover profile	C
2	2	Wall profile	A01S0109	15	1	Roller stop	A01S0703	29	1	Handle	A01S0126
3	2	Cover strip	A01S0115	16	2	Rail fixing screw	A01S0404	30	2	M5 x 18 screw	A01S0169
4	2	Wedge gasket	A01S0154	17	2	Rail fixing washer	A01S0412	31	1	D	D
5	1	A	A	18	1	Rail installation tool	A01S0405	32	1	Bottom guide cover cap	A01S0135
6	8	Screw 4x30	8S410044	19	1	B	B	33	1	Bottom guide	A01S0261 A01S0134
7	1	Moving panel upright seal	A01S0151	20	2	M6 x 20 screw	A01S0166	34	1	Bottom seal	A01S0152
8	8	Wall plug	8SSJ066	21	1	Fixing plate inside	A01S0162	35	1	Luna rail	A01S0119
9	1	Rail cap	A01S0137	22	2	plate washer	A01S0164	36	1	Side panel foot plate	A01S0161
10	1	Roller stop frame	A01S0138	23	2	Screw washer	A01S0165	37	1	E	E
11	2	Rail fixing branded /Unbranded	A01S0400 A01S0401	24	1	Fixing plate outside	A01S0163	38	1	Closing seal	A01S0170
12	2	Rail fixing washer	A01S0402	25	1	Cover plate	A01S0168	39	4	Screw 4x50	A01S0158
13	1	Roller stop cap	A01S0140	26	2	Cover plate	A01S0167	40	1	Extension profile	A0114E0
				27	2	Roller	A01S0125	41	1	Fixed panel upright seal	A01S0137



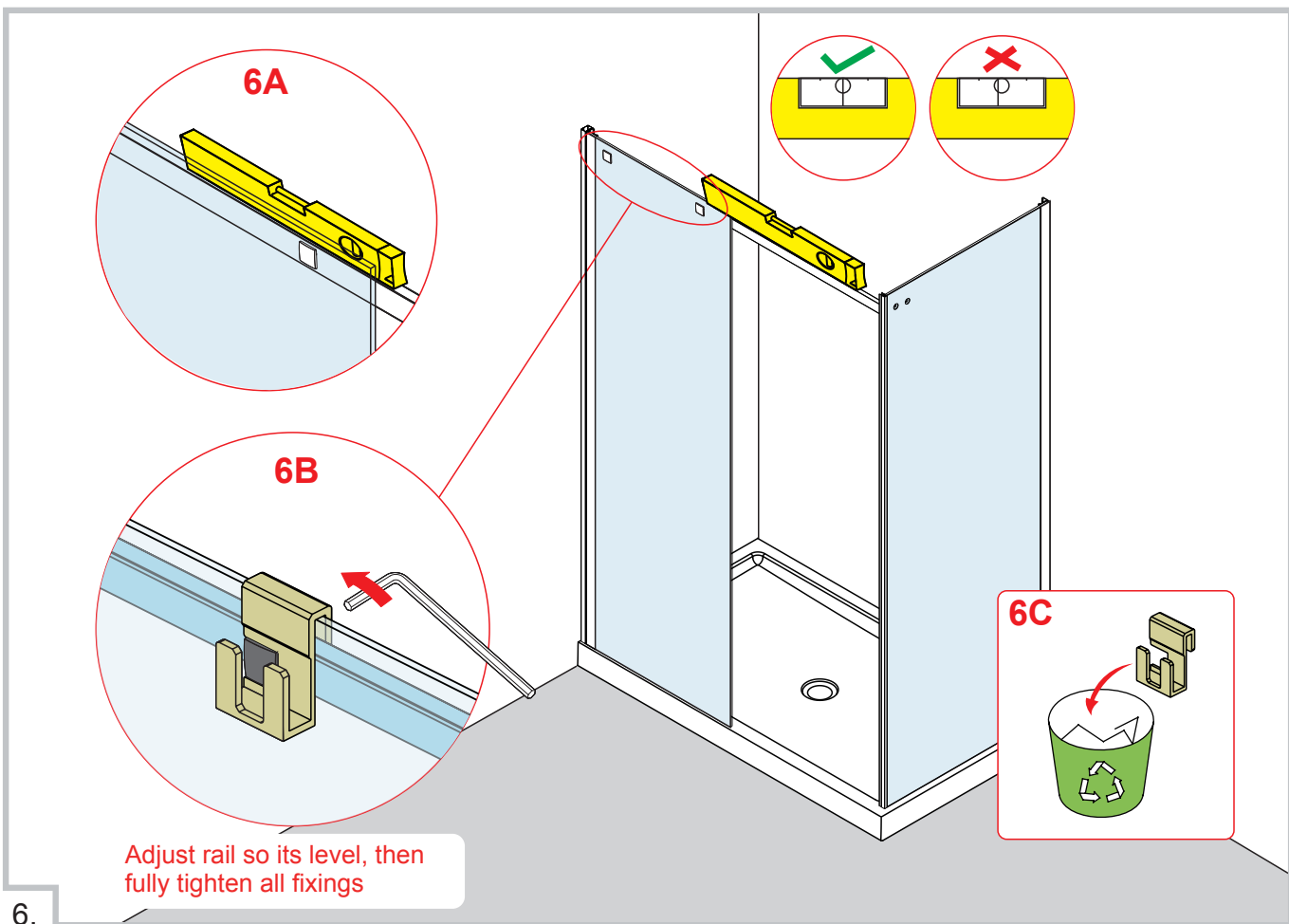
Tools required



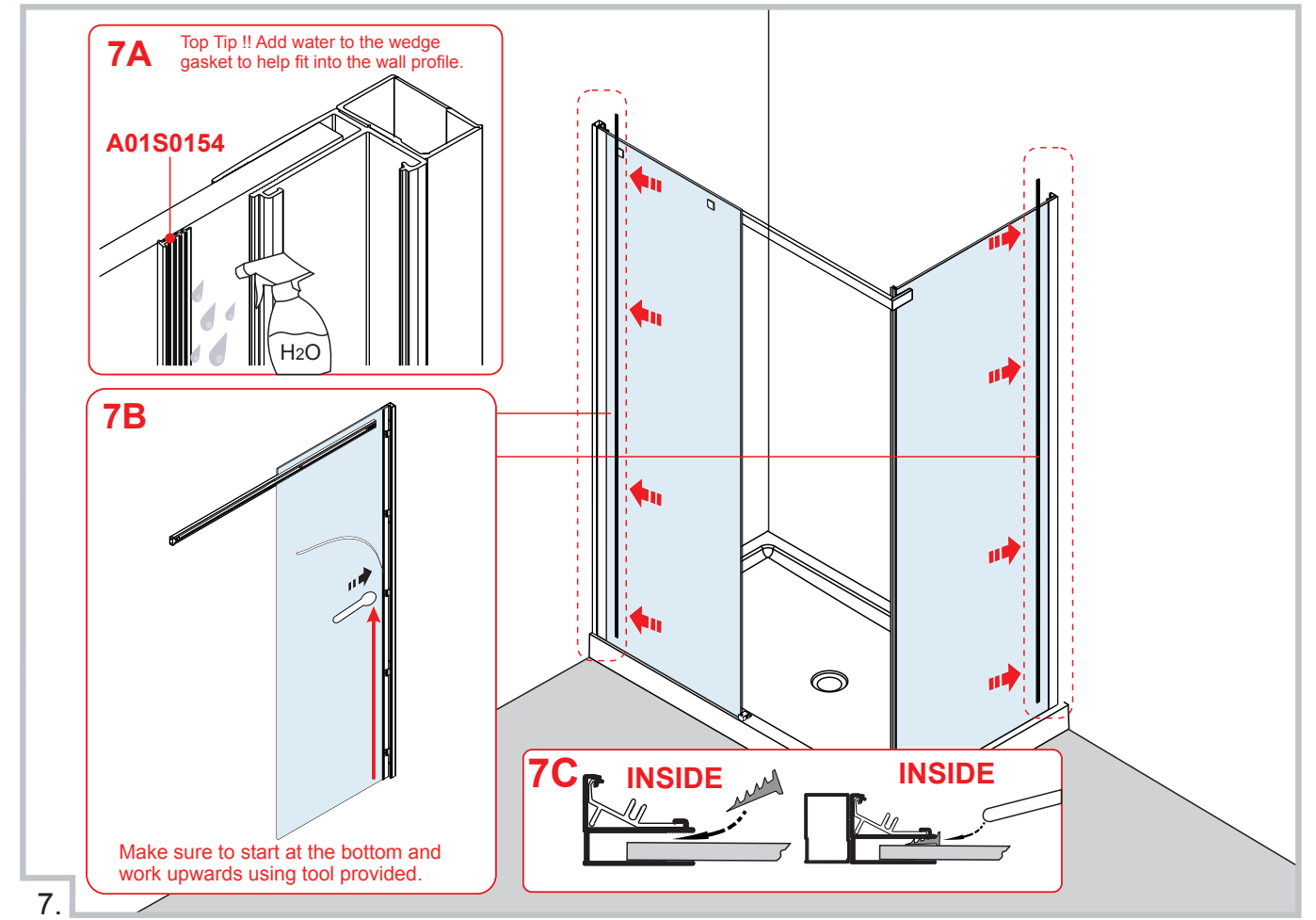




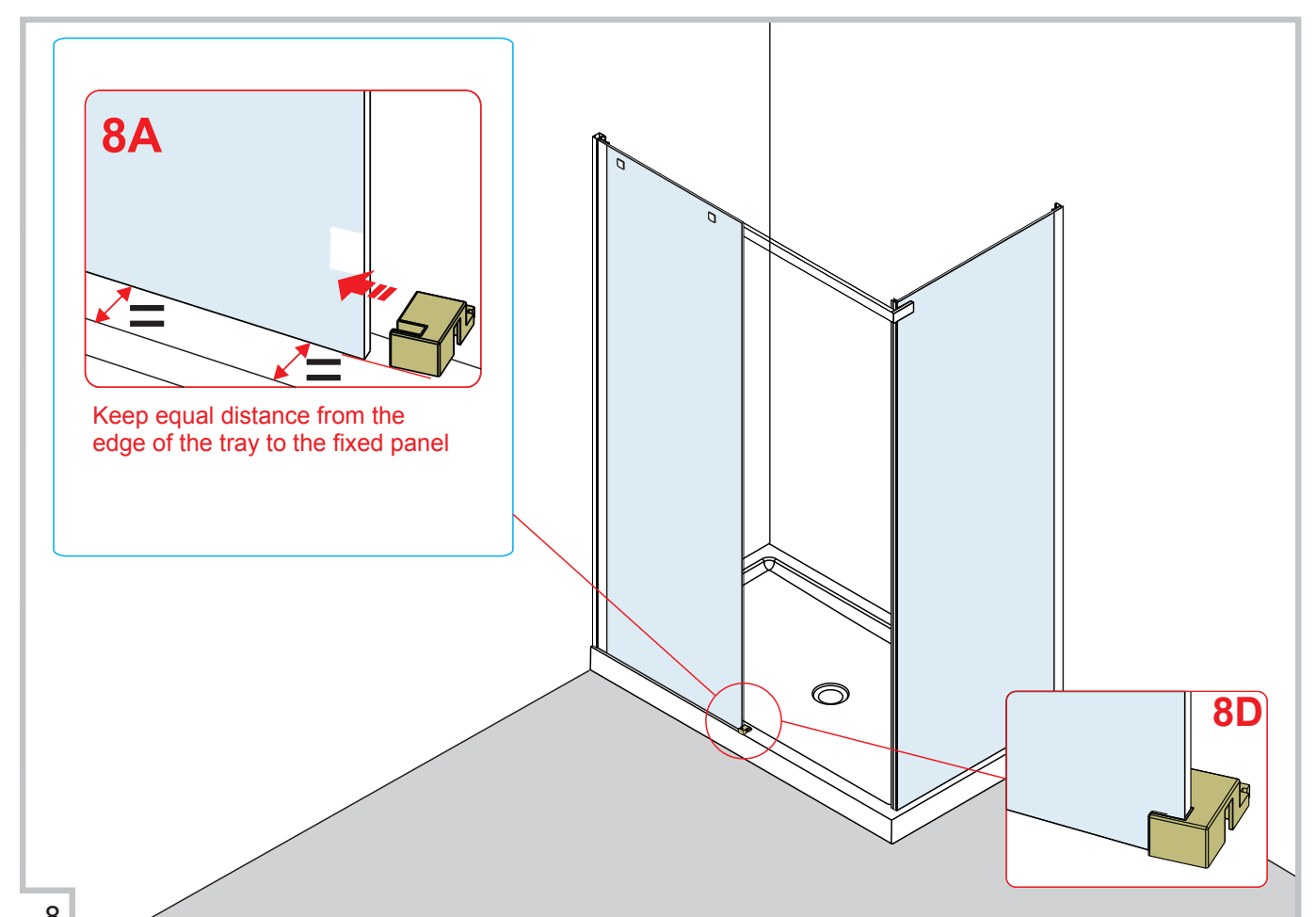
5.



6.



7.



8.

