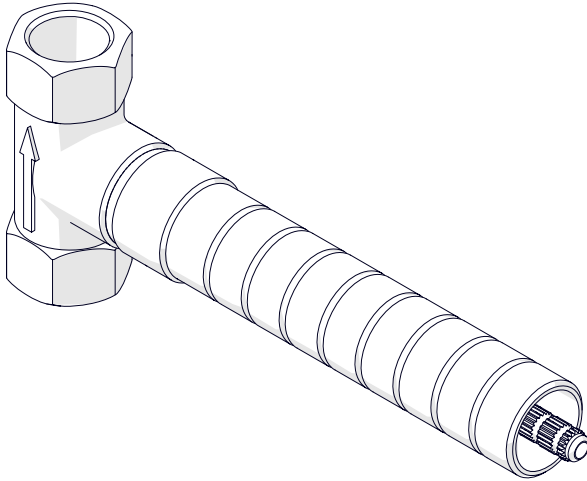


STYLE No. GUVCI8 † - Counterclockwise Open
CODE No. GUSV18R

STYLE No. GUVCI9 † - Clockwise Open
CODE No. GUSV19R



SPECIFICATIONS:

Fittings Hole Diameter: Ø1-3/8" [Ø35mm]*
Inlet and Outlet Connection: 1/2" Female NPT †
Unrestricted Max Flow Rate @ 45psi [3bar]: 6gpm [23L/min]
Valve Material: Ceramic
Water Pressure Maximum: 85psi [6.0bar]
Water Pressure Minimum: 20psi [1.5bar]
Water Pressure Recommended: 45psi [3.0bar]

- * Ø1-3/8" [Ø35mm] hole is required for servicing.
- † UK Style Nos. **GU18VC** and **GU19VC** are supplied with 2 **BSP** Adapters, assembly required.

IMPORTANT:

- To ensure this VALVE is installed properly, you must read and follow these guidelines.
- The owner/user of this VALVE must keep this information for future reference.
- This VALVE and associated TRIM (SOLD SEPARATELY) must be installed by a professional licensed contractor and must be on-site prior to rough-in, this allows the installer to visualize the installation. The VALVE rough-in depth is measured from the center of the inlets to the surface of the finished wall and **VARIES** depending on the TRIM being used.
- Inspect this VALVE to ensure you have all the parts required for proper installation. This VALVE is sold partially assembled but shown fully disassembled for illustrative and service purposes only.
- **This VALVE controls on/off/volume only.**
- Be sure your installation conforms to federal, state, and local codes. In the State of Massachusetts, all installations must comply with the rules and regulations set forth within 248 CMR.
- Check incoming water pressure.

ROUGH-IN:

- **CAUTION: Refer to the Installation Guidelines of the specific TRIM being used for the MAXIMUM and MINIMUM rough-in depth dimensions.**
- **CAUTION:** The VALVE rough-in depth is measured from the center of the inlets to the surface of the finished wall (see Figure - 01) and **VARIES** depending on the TRIM used.

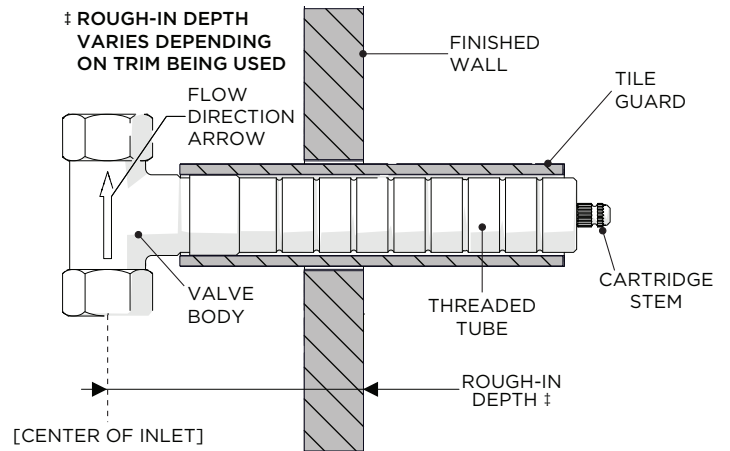


FIGURE - 01

- **CAUTION: DO NOT APPLY DIRECT HEAT TO THE VALVE.** If soldering any connections, make sure the CARTRIDGE is removed to prevent damage to the SEALS and internal components.
1. Run a 1/2" [15mm] copper supply line to the proper height of the VALVE INLET and be sure to secure all piping and fittings.
 2. Install the VALVE making sure it's positioned according to the **FLOW DIRECTION ARROW** marked on the VALVE BODY.

NOTE: A wall VALVE must be installed for each fitting that will have water flowing to it.

INSPECT THE INSTALLATION:

3. Turn on the water supply and inspect all connections for leaks.
 4. Install the TILE GUARD to protect the VALVE during the completion of the finished wall and to create the exact opening to ensure access to the CARTRIDGE for future servicing.
- If further assistance is required, please contact Product Support at 1-800-927-2120 Monday through Friday, 8am - 6pm EST.
 - Refer to the separate Service Parts Documents for available replacement parts.

† BSP Adapter can be ordered separately:

STYLE No. UNUK02
ITEM No. 45-57632-24328

These guidelines have been prepared for the professional contractor to aid in the installation of:
UNIVERSAL 1/2" COUNTER-CLOCKWISE VOLUME CONTROL VALVE (STYLE NOS. GUVCI8 & GU18VC).
UNIVERSAL 1/2" CLOCKWISE VOLUME CONTROL (STYLE NOS. GUVCI9, & GU19VC).
All dimensions are based on original specification and are subject to change and variation.
Please consult your Design Associate for current specifications.