

**E2901**



**Collection:** CLEO

**Finish\*:**



00 - White

**Main features:**



**Features**

- DIMENSIONS: 175 x 80 x 49.40 cm
- MATERIAL: Cast iron
- VOLUME (L): 271/201
- WASTE DIAMETER: 5,2 cm
- STEP: Not supplied
- OPTIONAL COORDINATING PANEL: No
- BATH WELL WIDTH: 46.7 cm
- CAN BE EQUIPPED WITH A WHIRLPOOL SYSTEM: No
- EXTERIOR: With anti-rust primer; to paint or recessed installation.
- WEIGHT: 146.4 kg
- INSTALLATION TYPE: Freestanding
- SHAPE: Oval
- FEET: Not supplied
- WASTE : Not supplied
- BATH WELL LENGTH: 134.8 cm
- TWO-PERSON BATH: Yes
- GUARANTEE: 25 years
- FREESTANDING INSTALLATION: On claw feet

**Consumer benefits**

- DESIGN: Timeless bath marrying tradition and modernity
- BATHING ENJOYMENT: Deep bath for relaxation

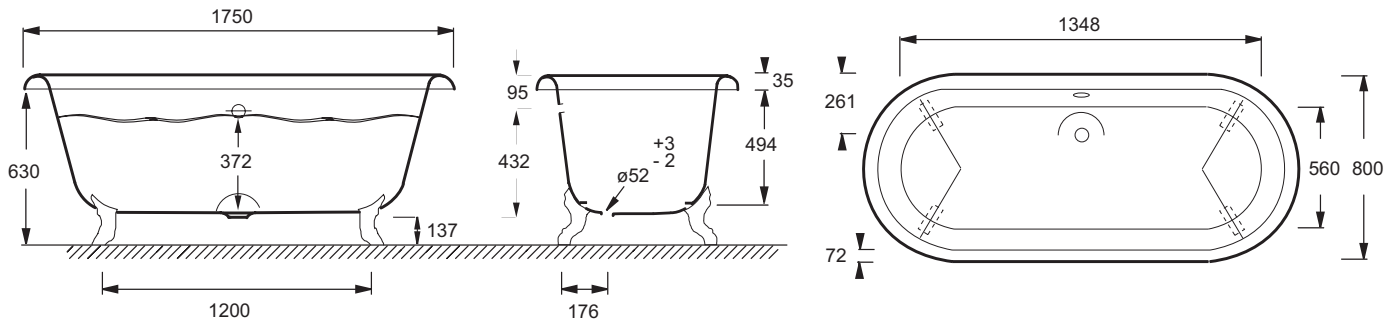
**Installation benefits**

- DROP IN OR PAINTED ISLAND INSTALLATION

**Required products**

- E4010: Set of 4 feet
- E4010N: Set of 4 feet
- E7807: Pop-up waste

**Technical drawing**



Product Specification: Freestanding cast iron bath 175 x 80 cm. E2901. Collection: CLEO. DIMENSIONS: 175 x 80 x 49.40 cm. WEIGHT: 146.4 kg. MATERIAL: Cast iron. INSTALLATION TYPE: Freestanding. VOLUME (L): 271/201. SHAPE: Oval. WASTE DIAMETER: 5,2 cm. FEET: Not supplied. STEP: Not supplied. WASTE : Not supplied. OPTIONAL COORDINATING PANEL: No. BATH WELL LENGTH: 134.8 cm. BATH WELL WIDTH: 46.7 cm. TWO-PERSON BATH: Yes. CAN BE EQUIPPED WITH A WHIRLPOOL SYSTEM: No. GUARANTEE: 25 years. EXTERIOR: With anti-rust primer; to paint or recessed installation.. FREESTANDING INSTALLATION: On claw feet.

\*Due to possible variations in computer and printer calibrations, technical factors and certain finish characteristics, the colors you see may not accurately portray the actual colors and are provided as a guide only.