

Tool f/ ball bearing roses

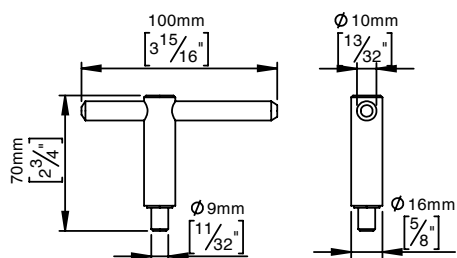
Knud Holscher collection

Product Fixing & dismantling tool for lever handles, 8mm ball bearing roses.

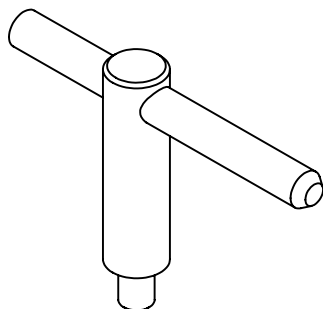
Tender text Knud Holscher collection, fixing Tool for 8mm ball bearing in zinc coated steel. 20-year warranty



Product specification Dimensions: 16x100x70mm
Material: zinc coated steel
[20-year warranty \(5 years for coated items\)](#)



Available finishes



Spare parts/ accessories

Mounting <https://dline.com/mounting-instructions/>

Product care

d line products are produced in the highest quality marine grade AISI 316 stainless steel. To sustain the unique d line finish please follow the below instructions:

- Wash down the surfaces using soapy water or mild detergent
- Always thoroughly rinse off with clean water
- To complete the cleaning procedure dry/polish the surface with a soft dry cloth

Please do not use scouring powder, steel wool, chloride based detergents or other aggressive cleaning products as these may damage the surface.

If spots or corrosion appear on the surface it is not due to the stainless steel quality, but to impurities in the environment, aggressive conditions or improper or insufficient cleaning.