

### Features

- 60"L x 36"W x 20"H.
- A builder favorite designed for quick and easy installation.
- Designed for one-person bathing.
- Includes integral apron and flange to simplify installation.
- Textured bottom surface.

### Material

- Acrylic.

### Installation

- Alcove.

### Recommended Products/Accessories

K-7161-AF 1-1/2" adjustable pop-up drain above- or through-floor  
K-37380 30" Rough-in Cable Bath Drain  
K-37383 Rough-in cable bath drain, PVC, 30" cable with tubing  
K-37386 rough-in cable drain, PVC, 30" cable  
K-23726 Drain treatment  
K-23732 Tub & shower cleaner



### Codes/Standards






CSA B45.5/IAPMO Z124  
ASTM E162  
ASTM E662

### KOHLER® Plastic Baths and Receptors Lifetime Limited Warranty

See website for detailed warranty information.

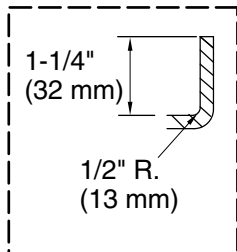
### Available Colors/Finishes

*Color tiles intended for reference only.*

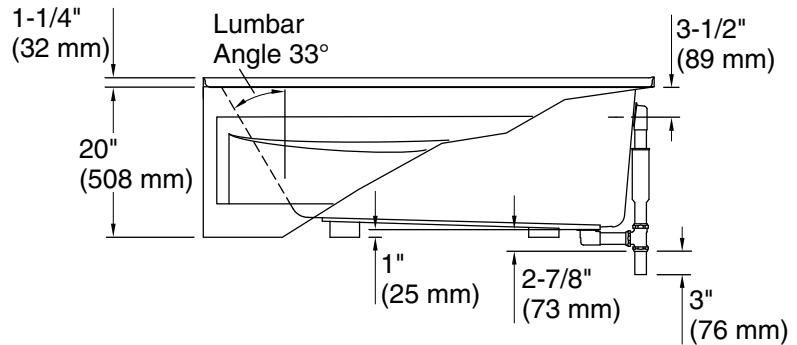
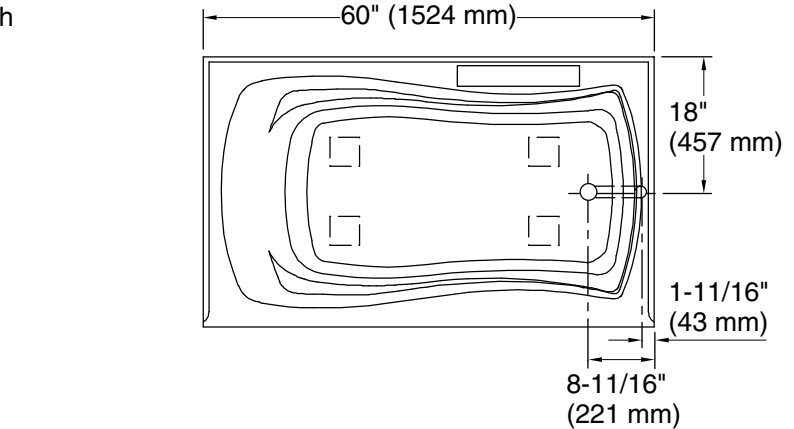
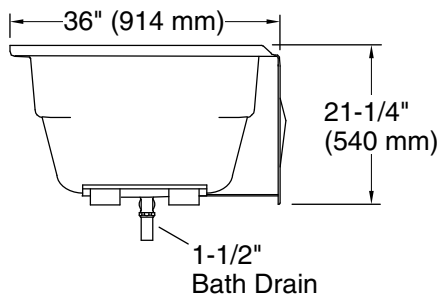
| Color  | Code | Description |
|--|------|-------------|
|  | 0    | White       |
|  | 96   | Biscuit     |
|  | 47   | Almond      |
|  | NY   | Dune        |
|  | G9   | Sandbar     |

No changes in measurements if connected with drain illustrated. (K-7161-AF)

 Recommended Faucet Location



Flange Detail



## Technical Information

All product dimensions are nominal.

|                        |   |
|------------------------|---|
| Installation:          | Three-wall alcove                                 |
| Drain location:        | Right   |
| Basin area, bottom:    | 46" x 24" (1168 mm x 610 mm)                      |
| Basin area, top:       | 54" x 27" (1372 mm x 686 mm)                      |
| Weight:                | 62 lbs (28.1 kg)                                  |
| Minimum floor load:    | 41 lbs/ft <sup>2</sup> (200.2 kg/m <sup>2</sup> ) |
| Water depth:           | 14" (356 mm)                                      |
| Water capacity:        | 63 gal (238.5 L)                                  |
| Minimum flat for door: | 2" (50 mm)  |

## Notes

Measure your actual product for rough-in details.

Install this product according to the installation instructions.

The hot water supply should be 70% of the capacity of the bath or greater. Installations will vary.

If installing a rim-mount faucet, make sure there is no interference above or below the deck before drilling any holes.