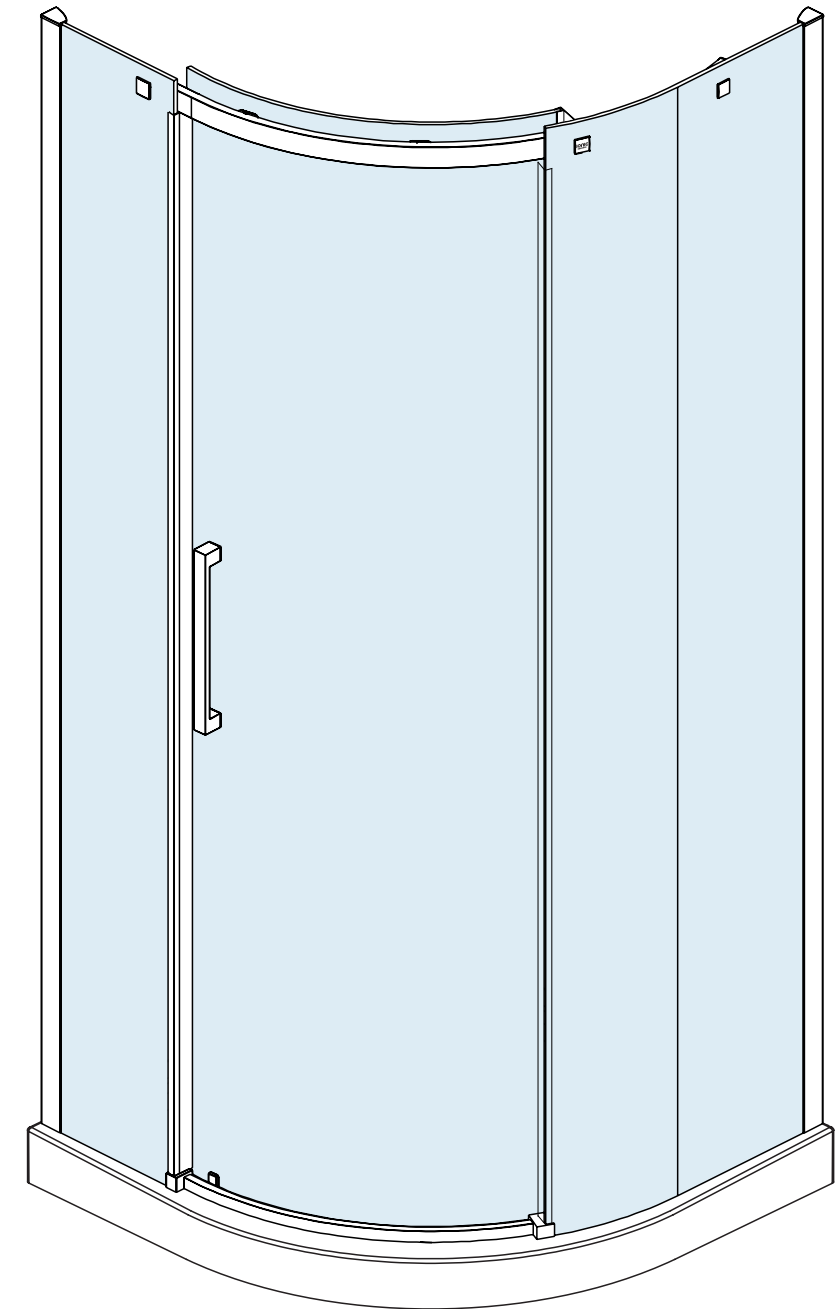


# 1 DOOR QUADRANT



# INSTALLATION GUIDE

To download the Declaration of Performance (DOP) for this product please use the link below.

<https://merlynshowering.com/aftersales-support/dop-certs/>

For further information please contact IRL: 056 7791 555, UK: 08081011429

**IMPORTANT**

Thank you for choosing Merlyn. Please familiarise yourself with the fitting instructions before commencing fitting.

- 1 Check that you have the tools required
- 2 Check that the installation site is compatible with size of door supplied
- 3 Check all the enclosure components
- 4 Check that the installation kit is complete

**DO NOT** attempt to install the product unless you can tick **ALL 4** boxes as satisfactory.  
The wall plugs supplied with the installation kit are for use in solid walls. Hollow or 'stud - partition' walls will require alternative fixings. Please consult a hardware supplier for the correct type.  
It may also be necessary to consult your tiling supplier about the correct method for drilling your tiles.

**USE SAFETY EYEWEAR WHEN DRILLING**

Any parts missing or damaged must be reported to your supplier within 5 days of purchase. Inspect shower enclosure before fitting. No claims will be accepted after product has been installed.



**Mershield**



**IONIC**  
SHOWERING

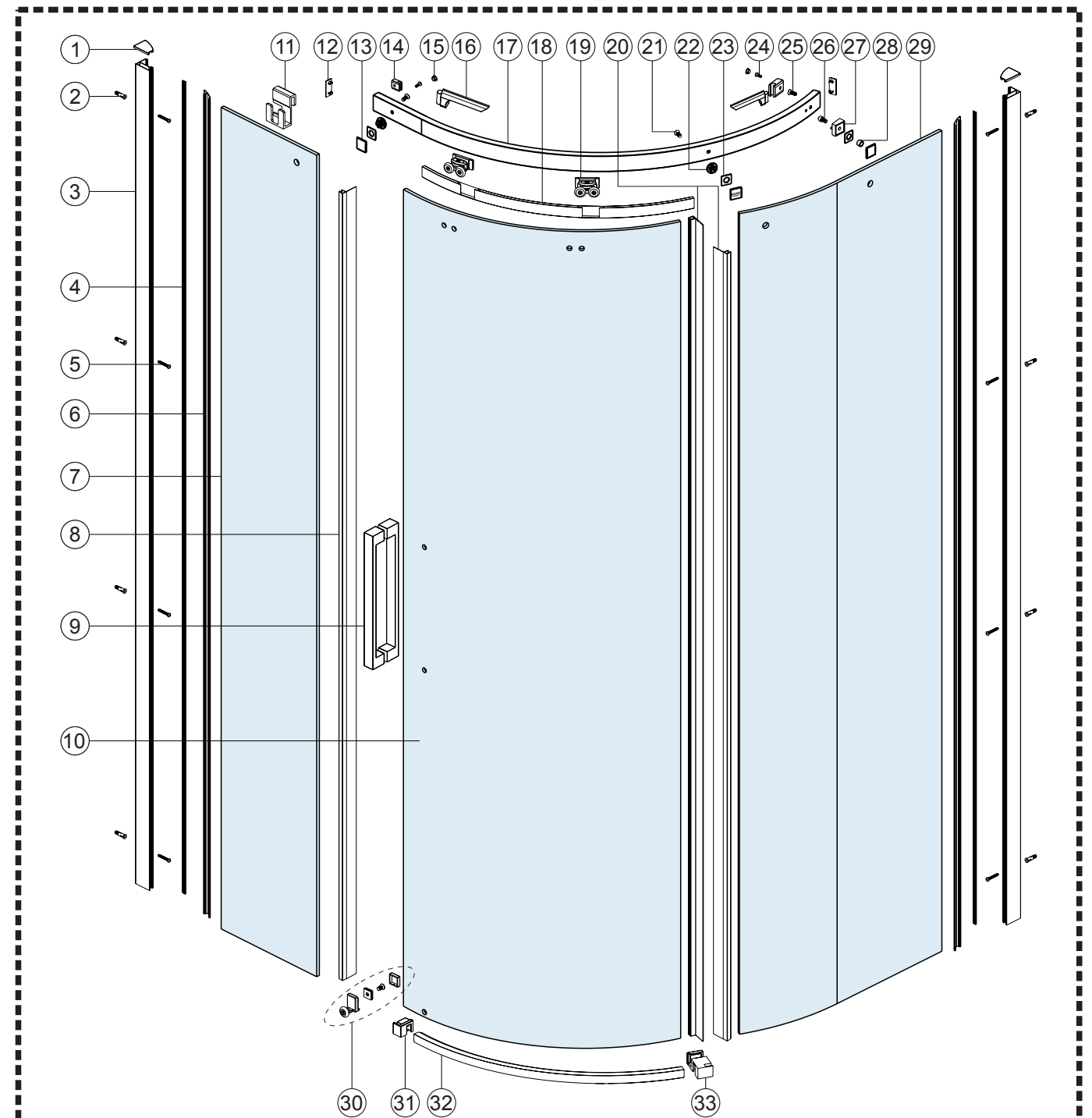
**Stayclear Glass Protection**

**This glass is "Easy to clean".**

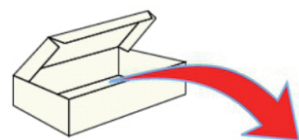
Mershield Stayclear coating is pre-applied on the inside glass to help prevent the build-up of lime scale and soap deposits making the shower glass easier to clean!

Available on all  
**IONIC Express, Essence & Wetroom** ranges.

Size	Product code	Adjustment	Opening space
900x900	A0101MH / A0101NH	860-885	478
900x1200	A0101KH / A0101LH	860-885/1160-1185	478

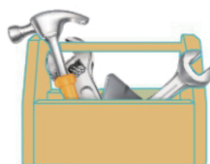


No.	Qty	Description	Part No.	No.	Qty	Description	Part No.	No.	Qty	Description	Part No.
①	2	Cover cap	A01S0141	⑫	2	Rail cap	A01S0137	⑳	2	Moving panel upright seal	A01S0151
②	8	Wall plug	8SSJ066	⑬	3	Rail fixing branded /Unbranded	A01S0400 A01S0401	㉑	2	Rail fixing screw	A01S0404
③	2	Wall profile	A01S0109	⑭	2	Roller stop frame	A01S0138	㉒	2	Rail fixing washer	A01S0412
④	2	Wedge gasket	A01S0154	⑮	2	Roller stop cap	A01S0140	㉓	3	Rail fixing washer	A01S0402
⑤	8	Screw 4x30	8S410044	⑯	2	Roller stop	A01S0704	㉔	2	Roller stop screw	A01S0156
⑥	2	Cover strip	A01S0115	⑰	1	C	C	㉕	1	Rail to spacer screw	A01S0417
⑦	1	A	A	⑱	1	D	D	㉖	1	Spacer to glass screw	A01S0416
⑧	1	Fixed panel upright seal	A01S0173	㉒	2	Roller	A01S0125	㉗	1	Quadrant rail spacer between glass and rail.	A01S0413
⑨	1	Handle	A01S0126	㉓	1	C	C	㉘	1	Rail washer for glass hole	A01S0403
⑩	1	B	B	㉔	2	Rail fixing screw	A01S0404	㉙	1	E	E
⑪	1	Rail installation tool	A01S0405	㉕	2	Rail fixing washer	A01S0412	㉚	1	Moving panel guide	A01S0408
				㉖	1	Fixed panel footplate	A01S0409 A01S0410	㉛	1	New quadrant luna rail	A01S0411
				㉗	1	Fixed panel guide	A01S0406 A01S0407				



**Fixing Kit**

A01S0141 R x1	A01S0141 L x1	A01S0125 x1	A01S0410 x1	A01S0126 x1
A01S0406 x1	A01S0407 x1	A01S0407 x1	A01S0125 x2	A01S0408 x1
A01S0405 x1	A01S0137 x2	A01S0704 x2	A01S0138 x2	A01S0140 x2
A01S0412 x2	A01S0412 x3	A01S0144 x1	A01S0143 x2	A01S0403 x1
A01S0413 x1	A01S0149 x1	8S1300511 x1	A09S0052 x1	A01S0416 x1
A01S0417 x1	A01S0404 x2	A01S0156 x2	8S410044 x8	8SSJ066 x8



**Tools required**

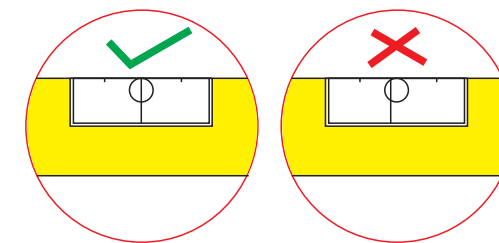
PH2

Φ6

**TRAY MUST BE LEVEL IN ALL DIRECTIONS!**

Ensure the shower tray is level in all directions and is properly sealed to the wall. The wall must be tiled down to the top edge of the tray.  
**Do not angle out bottom tile.**

**TRAY MUST BE SEALED FULLY AROUND WHERE THE TRAY MEETS THE WALL.**



1.

100% Level!

2.

Size	X	Y
900x900	860-885	860-885
900x1200	860-885	1160-1185

2A

2B A01S0109  
MAX: 15mm

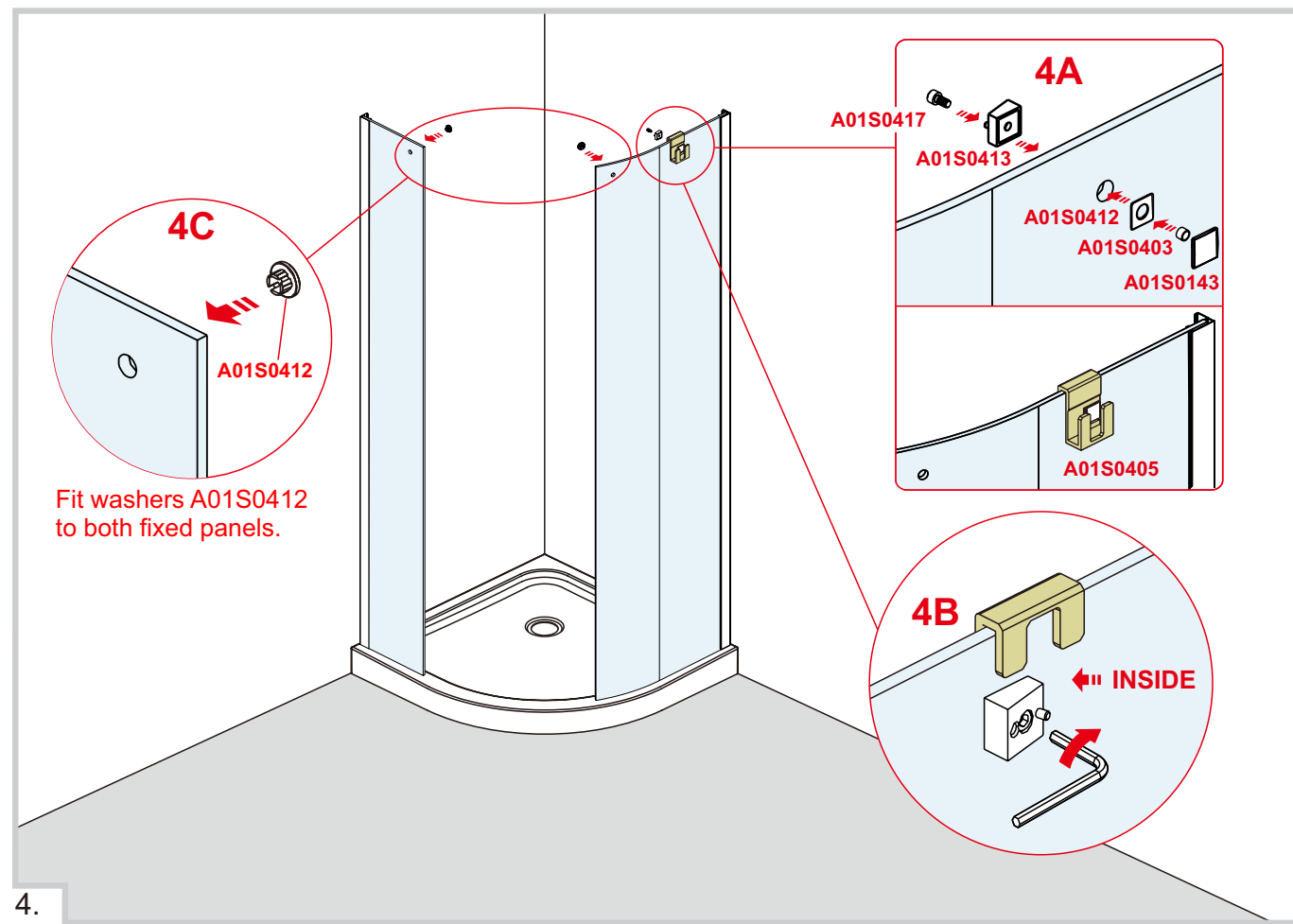
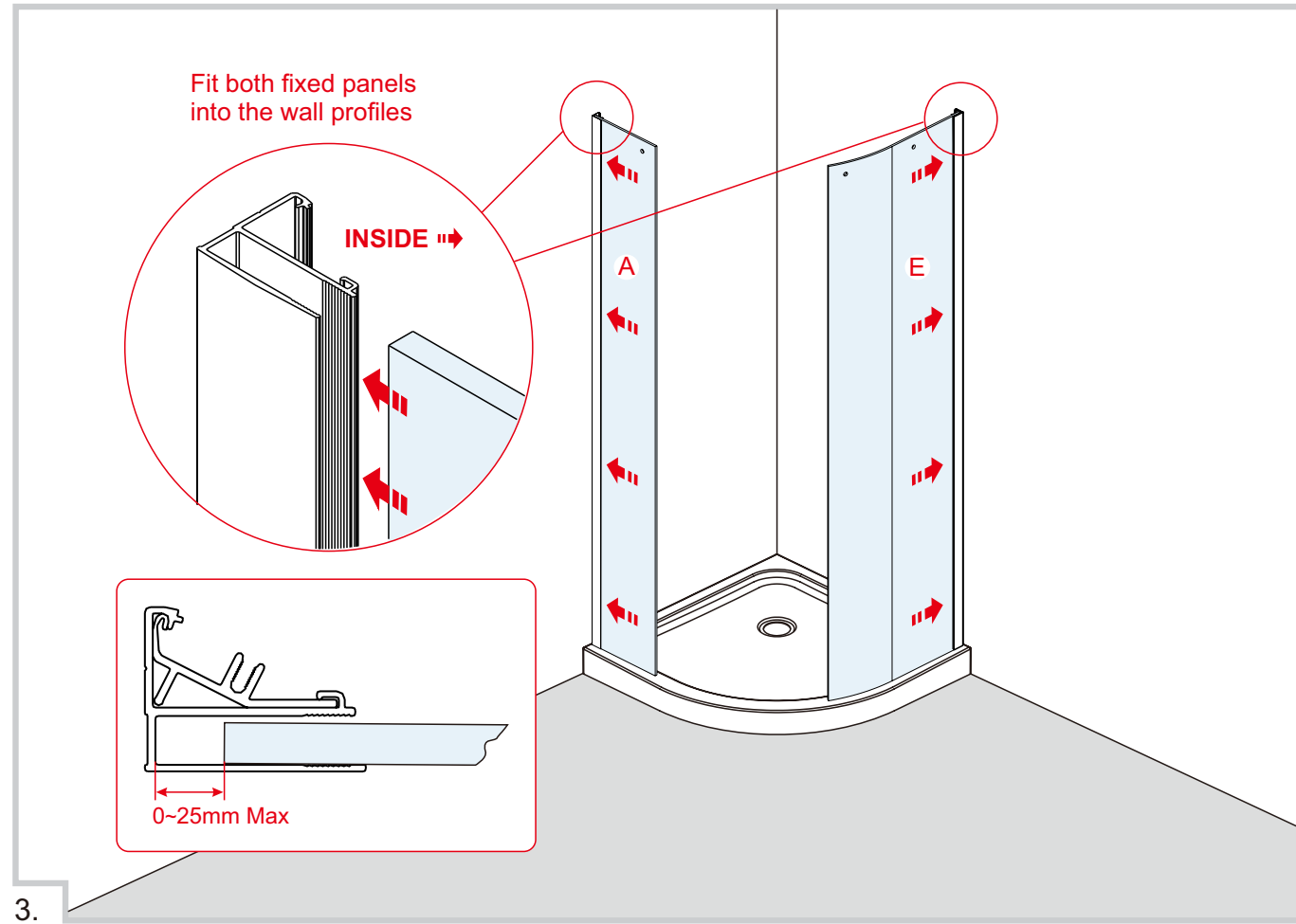
2C INSIDE

2D Φ6

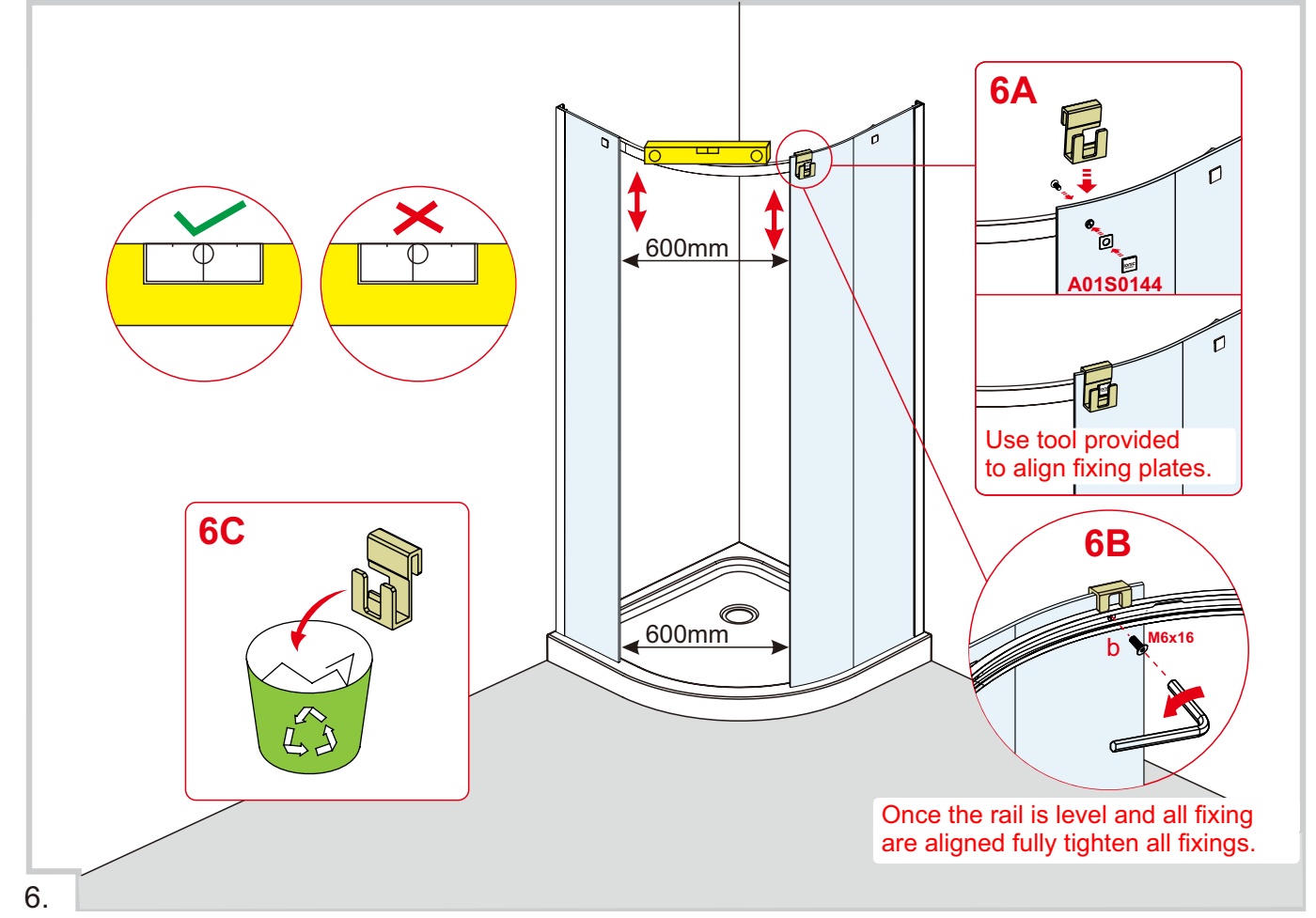
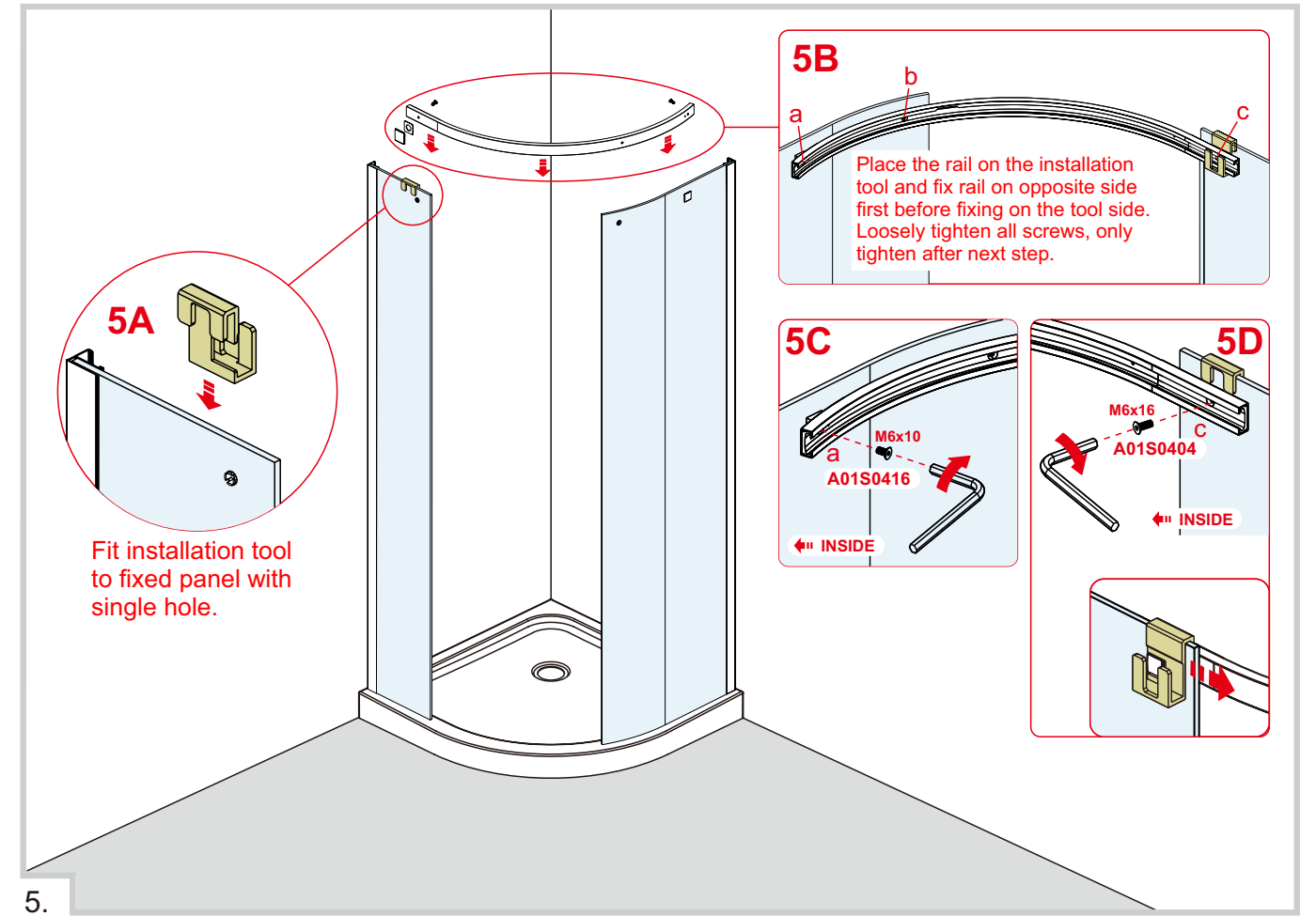
2E 8SSJ066

2F INSIDE  
8S410044

5.

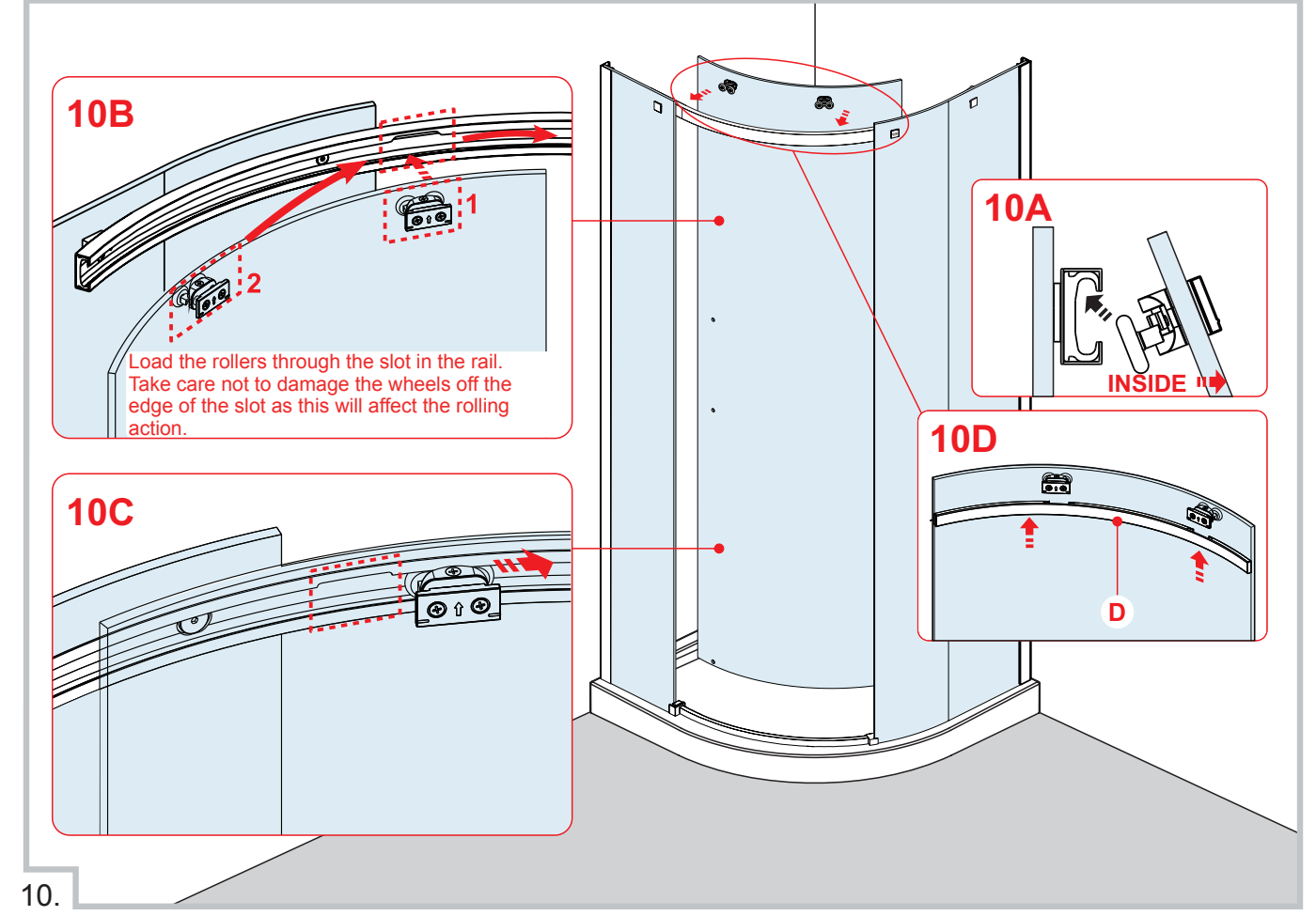
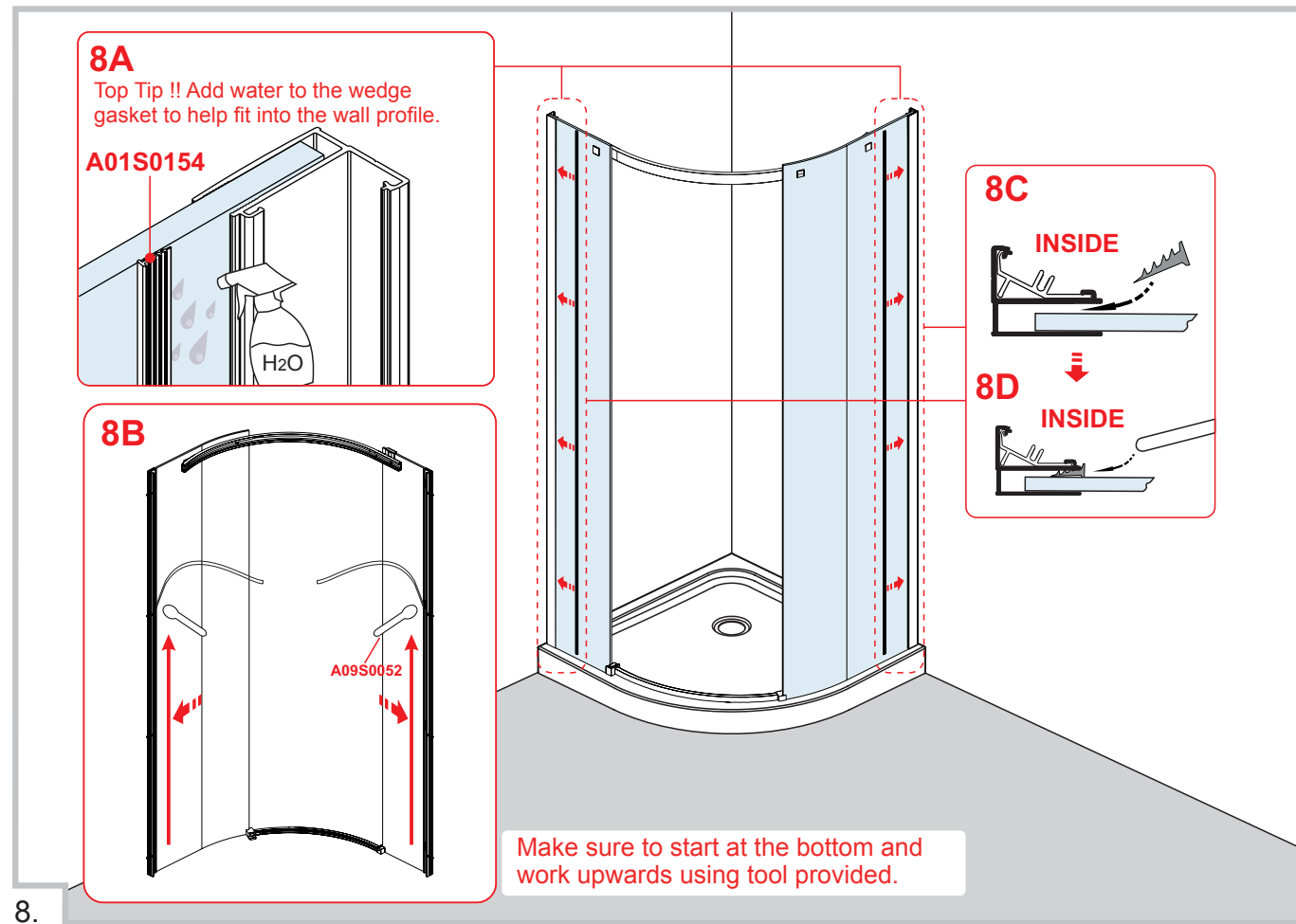
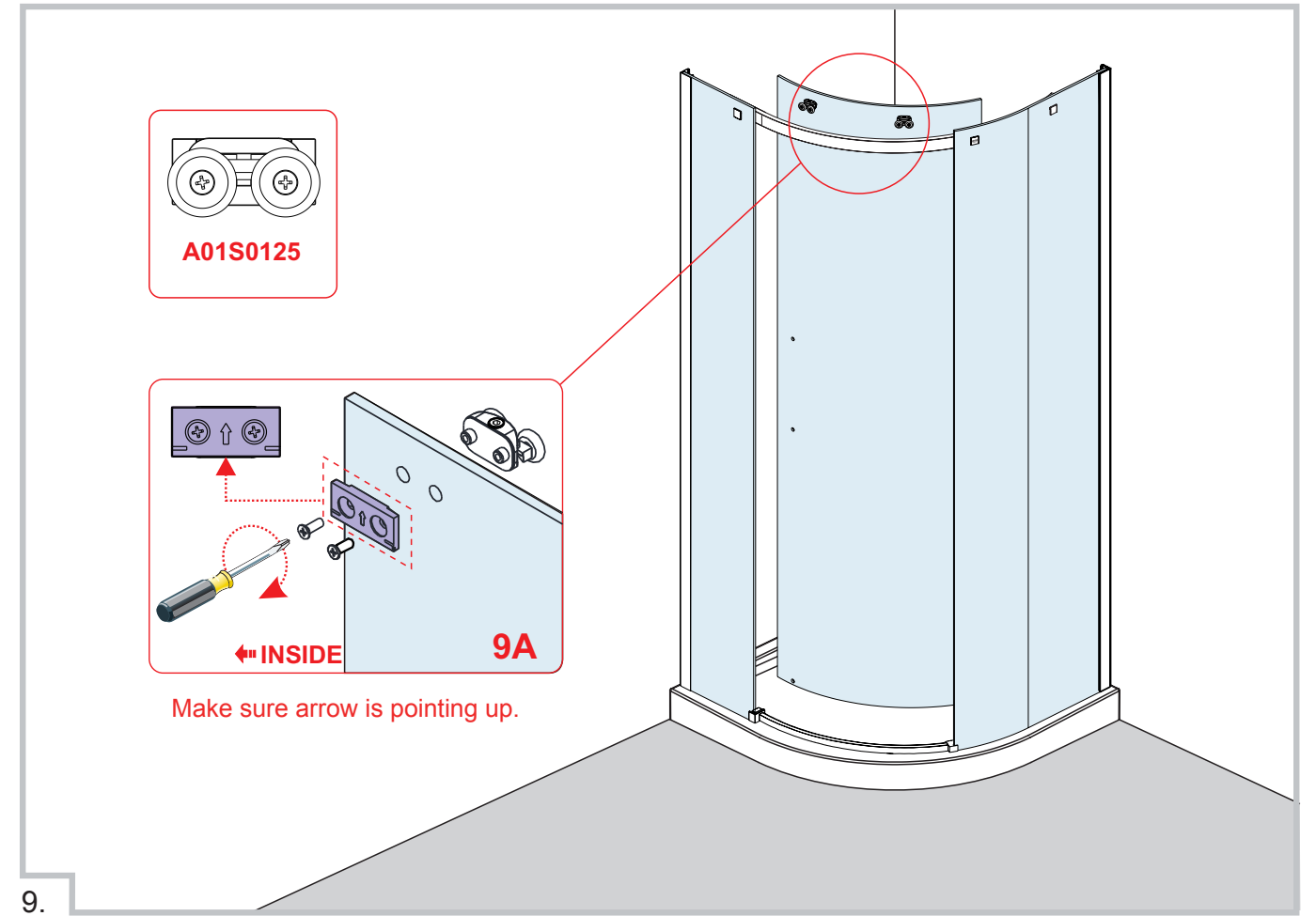
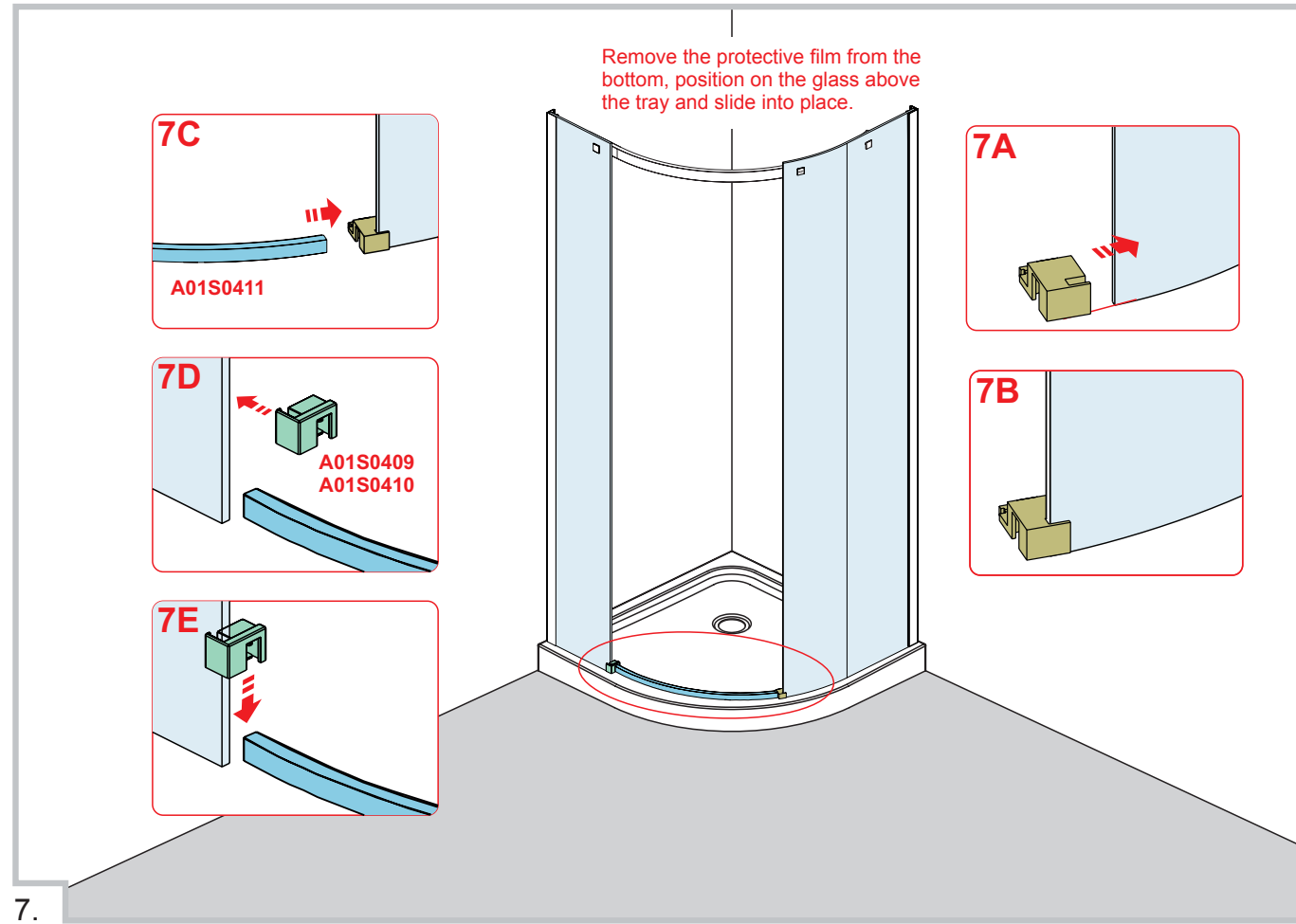


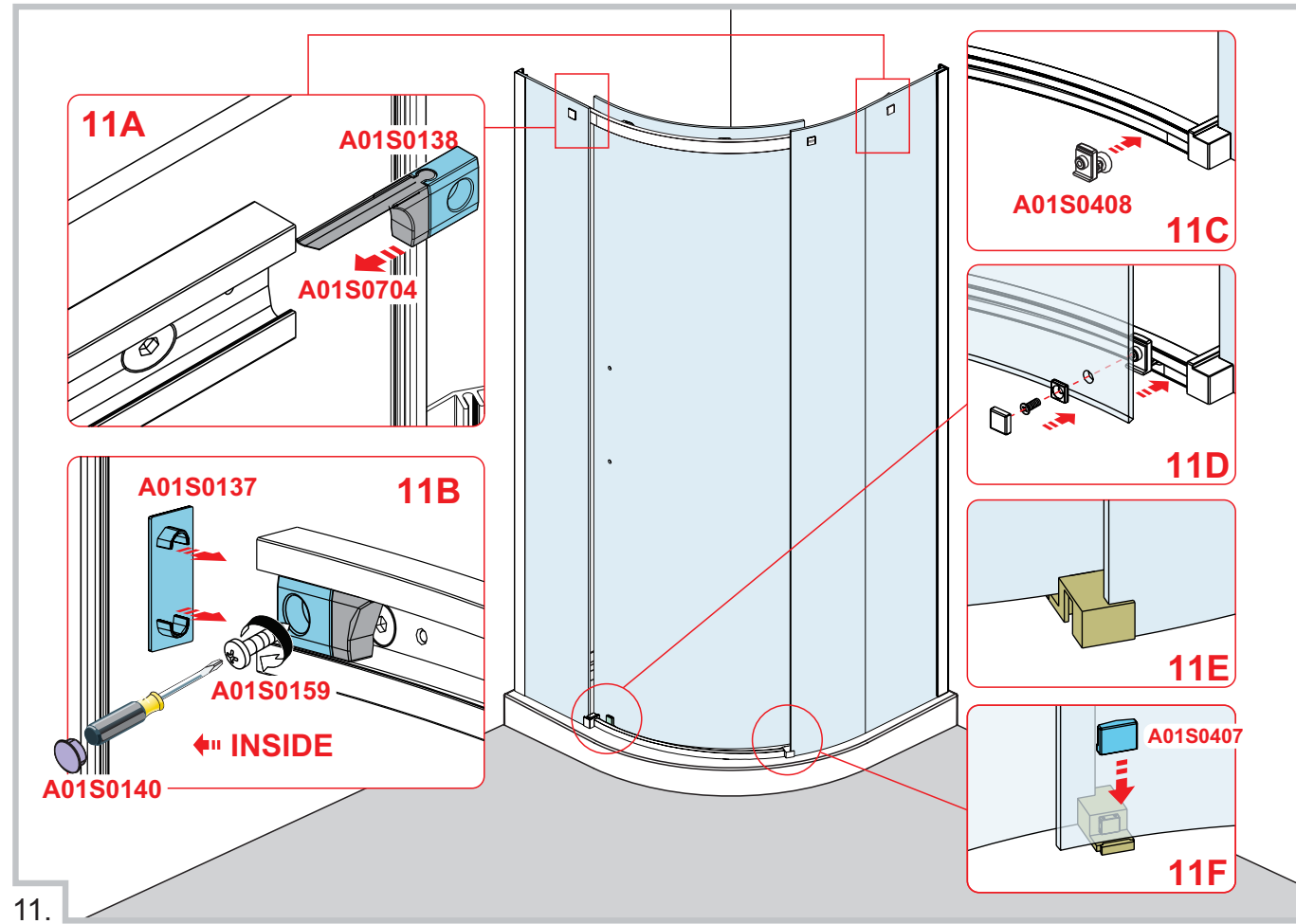
6.



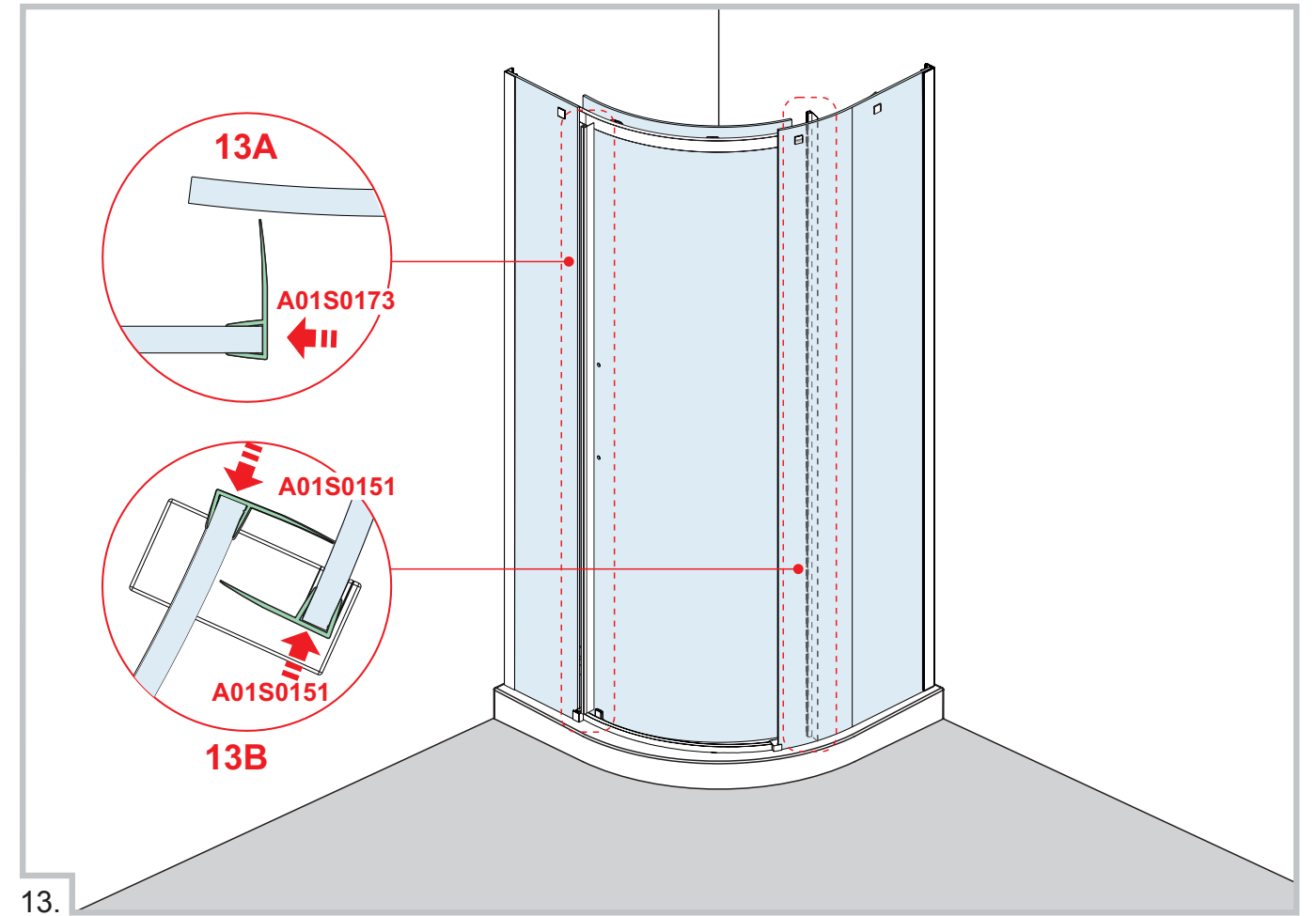
7.



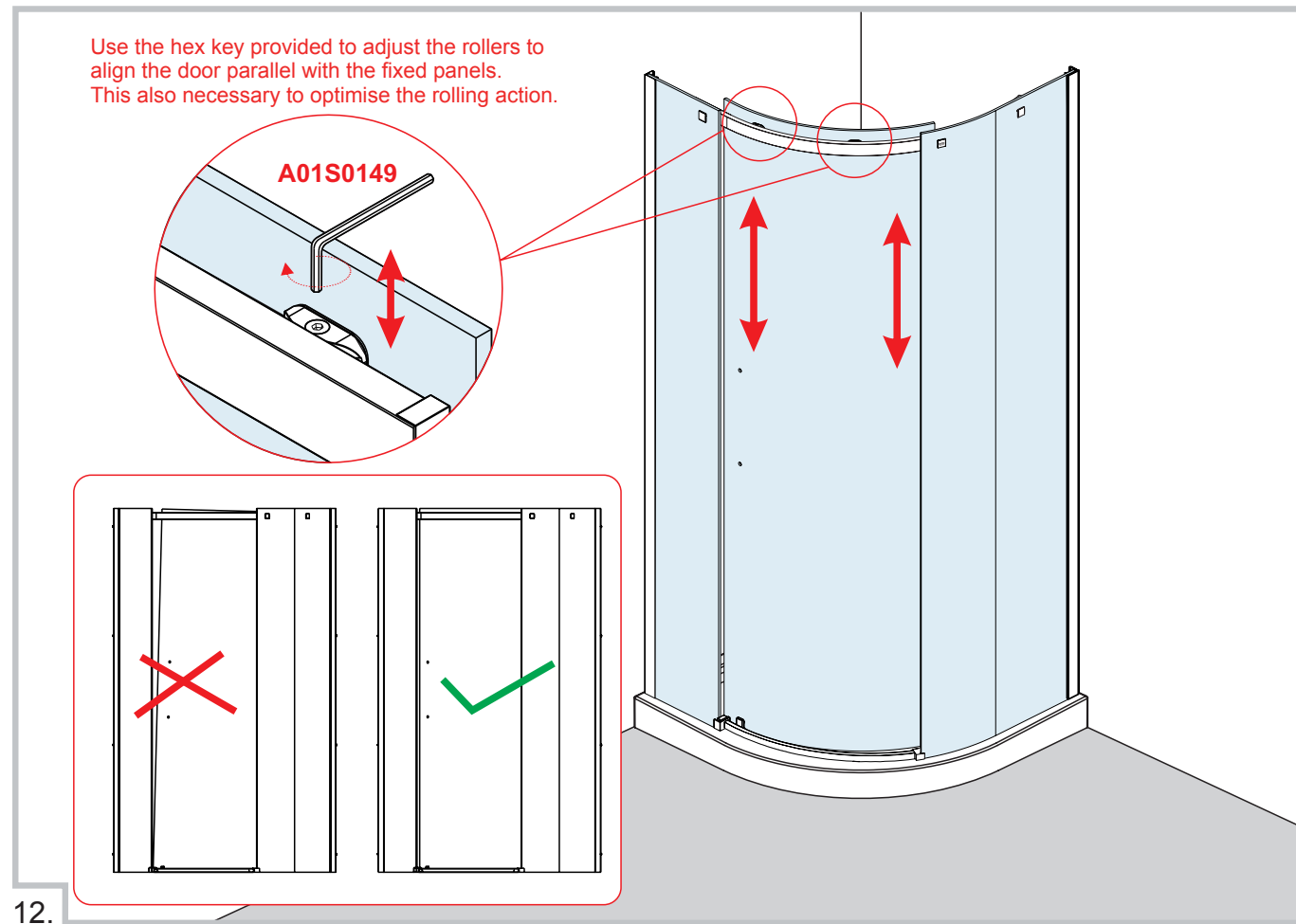




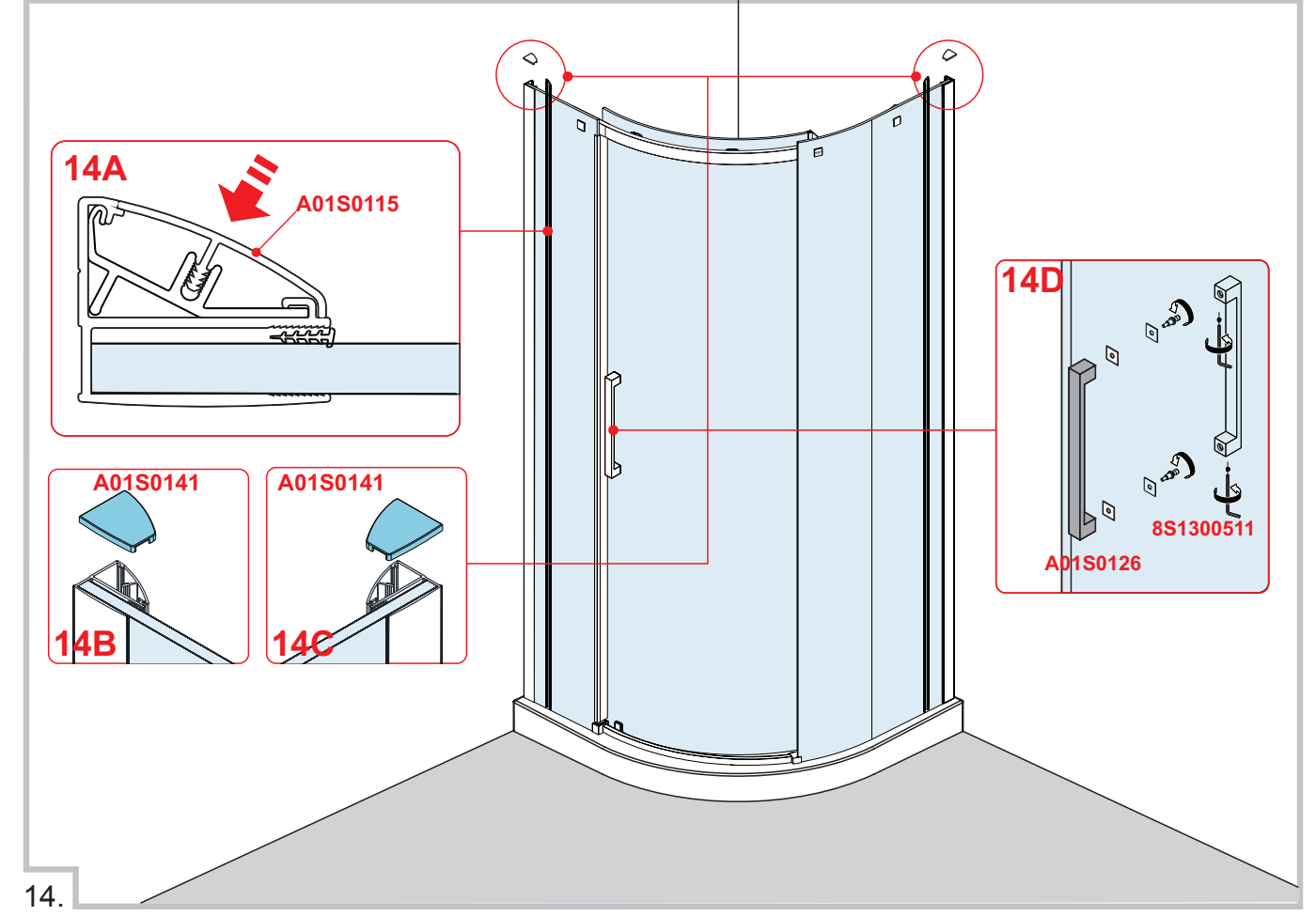
11.



13.



12.



14.