

Materials

- **Front panels (Thickness=16mm):**
 - Gloss White: Laminated particle board lacquered with UV high gloss polyester paint.
 - Matt gray, Eternity Oak, Caledonia Oak: Laminated particle board.
- **Side panels (Thickness=16mm):**
 - Gloss White: Laminated particle board lacquered with UV high gloss polyester paint.
 - Matt gray, Eternity Oak, Caledonia Oak: Laminated particle board.
- **Internal structure panels (Thickness=16mm):** Laminated particle board.
- **Drawers:** Wooden drawer with concealed partial extraction runner with soft closing and height adjustment. Maximum load capacity: 25 Kg.
- **Door (vanity 850 mm):** Soft closing. 1 wooden shelf.

* All the panels used in the manufacture of this unit are classed as E-05 grade with low level of formaldehyde content.

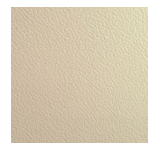
*Trim varies according to design: PVC, ABS. (edged with PUR glue)



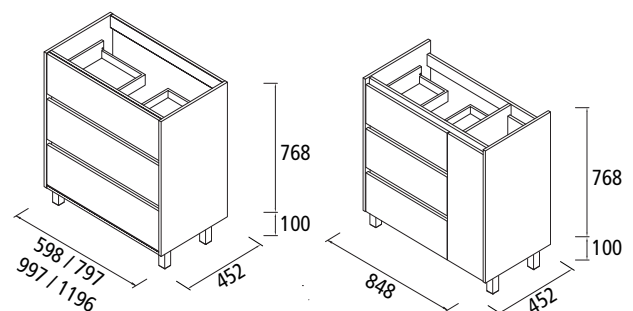
Exterior finishes



Interior finishes



Unit dimensions



3 drawers
The 1196mm model is made of 2 units of 598 mm.

3 drawers + 1 door

METAL FITTINGS

- **Pieds:** pieds ABS en finition anodisée brillante. (hauteur 100 mm)

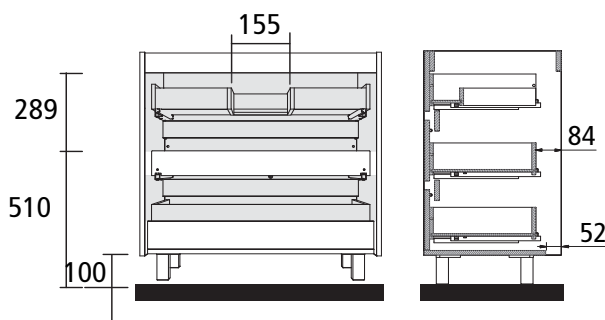
Vanity dimensions and package weight

	600	800	850	1000
Longitud mm.	650	845	895	1045
Fondo mm.	495			
Altura mm.	840	835	830	835
Peso neto Kg.	27	32,3	38,4	37,5
Peso bruto Kg.	29,4	35,1	41,2	40,7

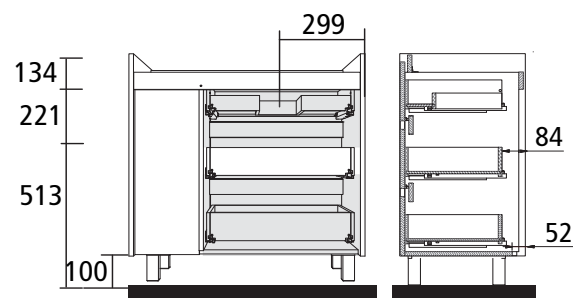
Wash basins available

- 600 / 800 / 1000: Iberia
- 850 :Iberia right
- 1200 : Iberia double

Free space for water pipe



3 drawers



3 drawers + 1 door

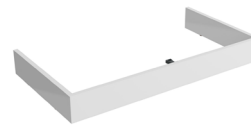
Optional plinth:

• Front panels (thickness=16mm):

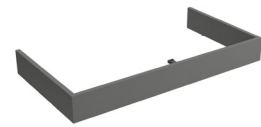
- **Gloss white:** laminated particle board lacquered with UV high gloss polyester paint
- **Matt gray, Eternity oak, Caledonia oak:** laminated particle board.

• Side panels (thickness=16mm):

- **Gloss white:** laminated particle board lacquered with UV high gloss polyester paint and PVC chants with PUR glue.
- **Matt gray, Eternity oak, Caledonia oak:** laminated particle board.



Gloss White



Matt Gray



Caledonia Oak



Eternity Oak

Observations to place the plinth:

The plinth's placement requires a recessed leg position (a different position than the conventional)

Easy install system by KEKU fitting in order to place it and remove it for cleaning.



Technical scheme:

