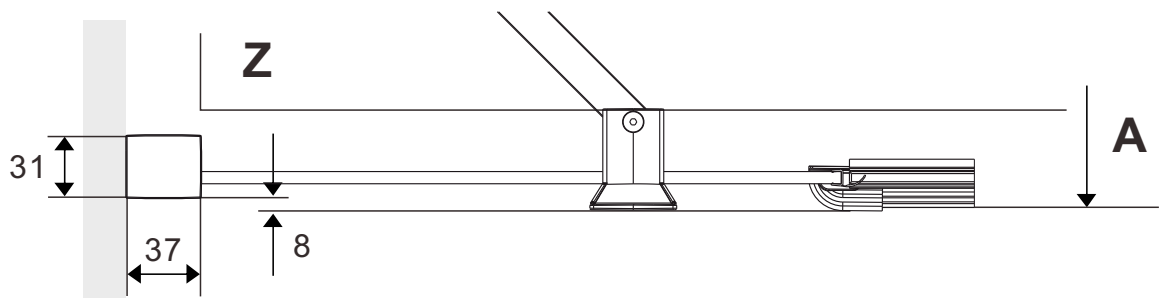
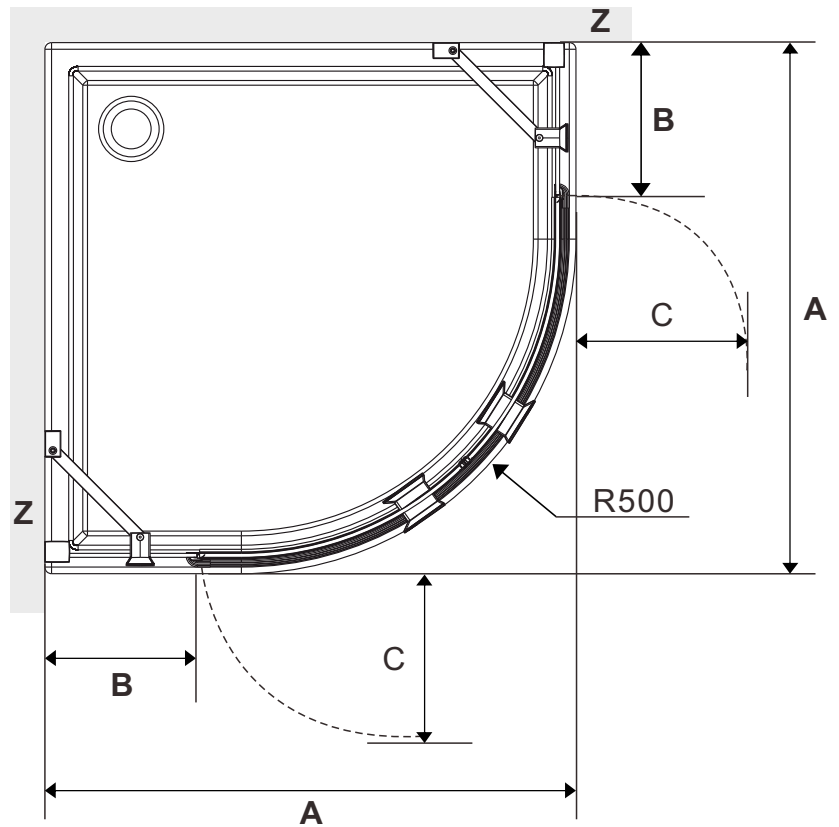
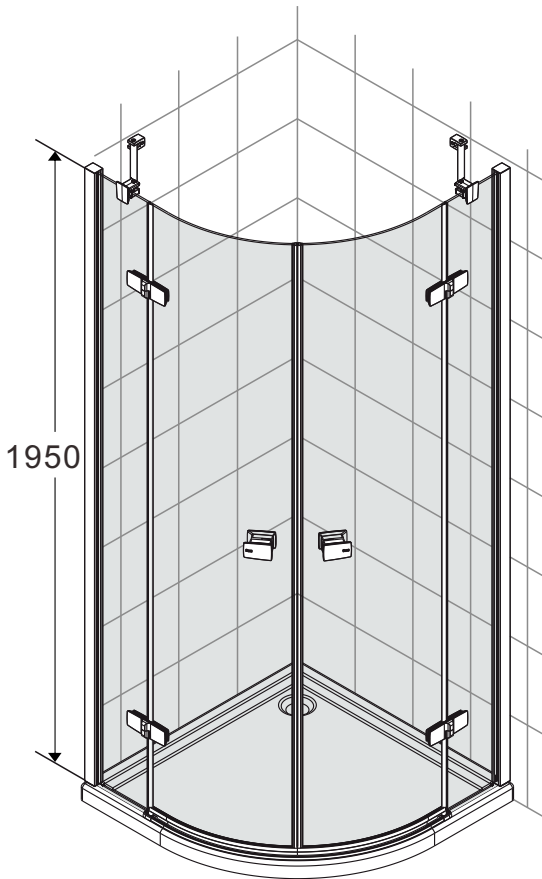


# Vela MRF



MRF		A	B	C
A=750,751.....1100	Min.	A-7	A-575	495
	Max.	A+8	A-560	

Ejemplo/Example

**A=900**

A Min=900-7=893

A Max=900+8=908

B Min=900-575=325

B Max=900-560=340

C=495