

Collection

BATLÒ

Article

BI740

Description

Two hole deck mounted bath filler with shower kit

Box Dimensions

360 x 220 x 150 mm

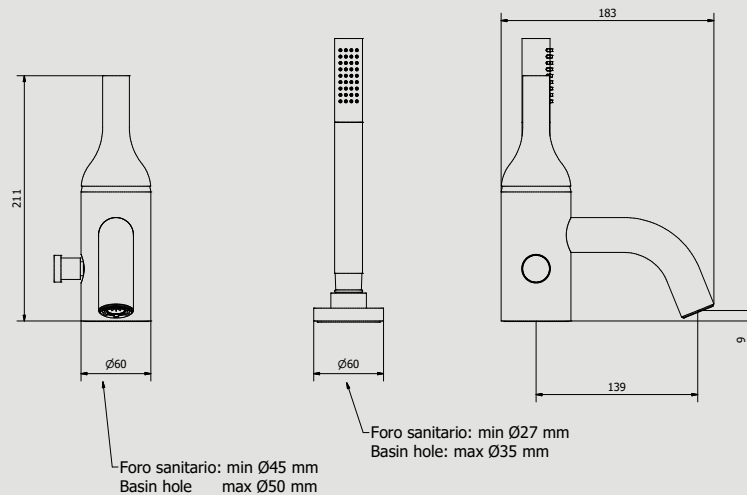
Weight

Finishes

- **CC**
CHROME
- **CF**
BLACK CHROME
- **BG**
GLOSSY WHITE
- **NG**
GLOSSY BLACK
- **SS**
BRUSHED NICKEL
- **CS**
BRUSHED BLACK CHROME
- **BO**
MATT WHITE
- **NP**
MATT BLACK
- **OO**
GOLD
- **BB**
ANTIQUÉ BRONZE
- **II**
PALE GOLD
- **RR**
ANTIQUÉ COPPER
- **ORS**
ROSE GOLD
- **ON**
NATURAL BRASS
- **IS**
BRUSHED PALE GOLD
- **HH**
PVD CHOCOLATE



Dimensions



Cartridge

IB 40 mms Ceramics Discs Cartridge

Wall Hoses

Inox hoses G1/2" female 600 mms long

Aerator

M24X1 perlator

Flow Rate (+/-10%)

1 BAR 20.5 l/min	2 BAR 29 l/min	3 BAR 35.7 l/min
----------------------------	--------------------------	----------------------------

Production

Main body is a machined from a solid piece

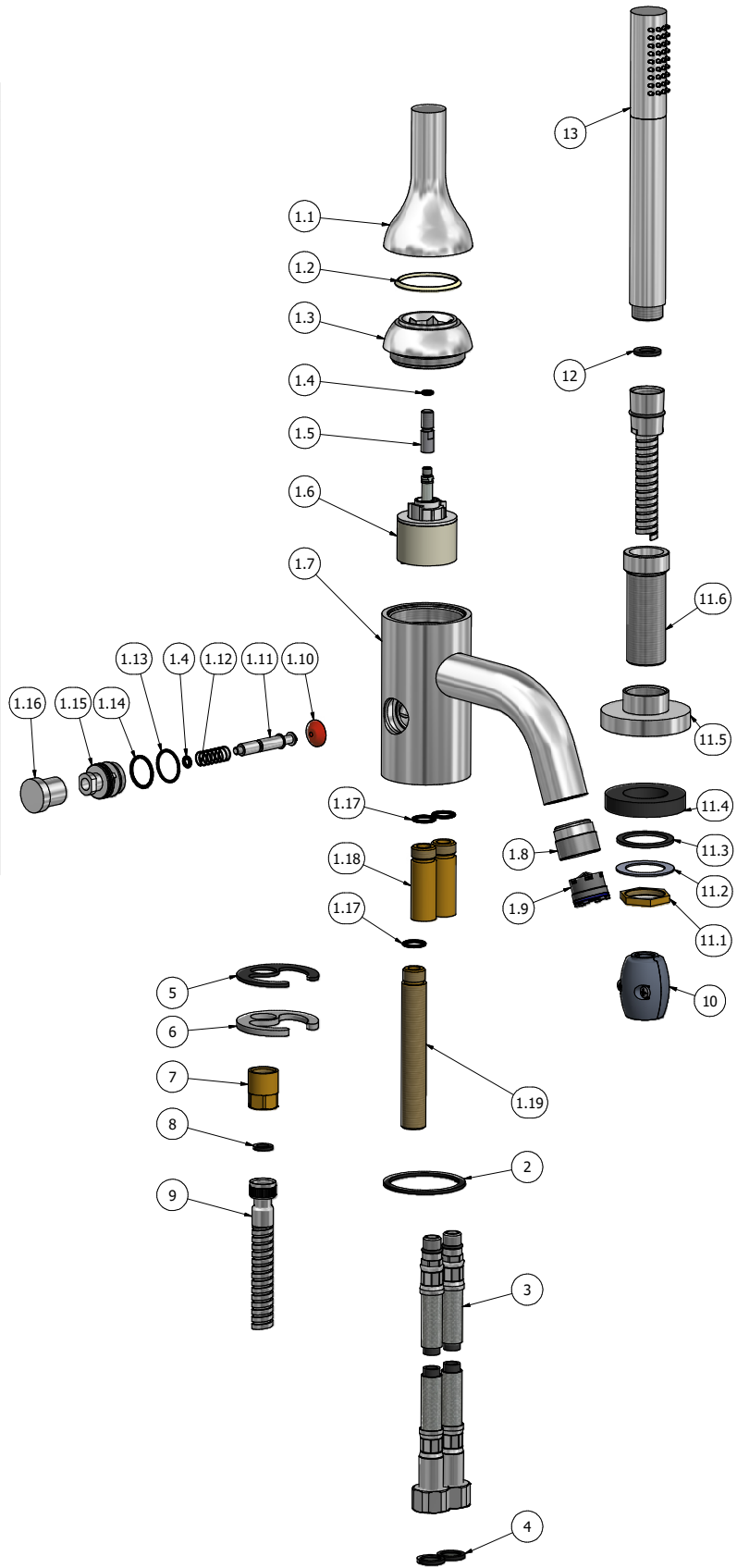
Material

BRASS
According to CuZn39Pb3 (CW614N)
Max Lead content: 2.5%



WE ARE IB

Elenco parti			
ELEM	CODICE	NUMERO DI MAGAZZINO	QT
1	CPKBI740C CX01	Preassembled spout for bath	1
1.1	AC0010946	Handle Ø60 H95 M8	1
1.2	AQ0011063	Antifriction ring Ø39,1 X 44,5	1
1.3	AC0010947	Cartridge fixing nut Ø60 M50x1.5 H29	1
1.4	AQ0001410	OR 4.2x1.9 NBR 70 SH	2
1.5	AS0010948	Extension for cartridge's rod G40 M8 H28	1
1.6	AQ0011064	Ceramic cartridge G40S ECAU	1
1.7	AC0010975	Bath mixer body Ø60 H111	1
1.8	AC0010792	Seat for perlator M28x1 M24x1	1
1.9	AQ0010587	Perlator cachè M24x1	1
1.10	AQ0000340	Biconic seal	1
1.11	AS0000140	Rod diverter	1
1.12	AQ0001300	Spring F 0,6 D.E. 9,8 Sp.	1
1.13	AQ0001380	OR 14x1.5 NBR 70 SH	1
1.14	AQ0004640	OR 18.77x1.78 NBR 70 SH	1
1.15	AC0010454	Diverter body	1
1.16	AC0010179	Knob for diverter Ø23 x 18,5 H.22,6	1
1.17	AQ0004610	OR 12.42x1.78 NBR 70 SH	3
1.18	AS0010953	Extension G3/8" M M12x1 F L50	2
1.19	AS0010432	Tie rod G3/8" M15x1 H114	1
2	AQ0011028	Flat gasket Ø55 Ø47 H2	1
3	AQ0010430	Flex inox M12x1 G1/2" L600	2
4	AQ0010360	Rubber packing 1/2" H2 with filter	2
5	AQ0010434	Rubber packing Ø55 H2	1
6	AQ0010428	Inox flange Ø55 H4	1
7	AS0010395	Nut G3/8" for threaded stem	1
8	AQ0003060	Rubber packing G3/8" (14.5x9x2)	1
9	AQ0009555	Inox hose G3/8" F G1/2" F cone L150	1
10	AQ0002181	Lead Ø14	1
11	CP9447CC-1	Preassembled handshower support	1
11.1	AS0002010	Clamping nut 26 x 19 H5 CH30	1
11.2	AQ0001650	Inox washer 39 x 26,5 x 1	1
11.3	AQ0009716	Rubber packing 38x30x2	1
11.4	AQ0011181	Sponge Ø54 Ø30 H.10	1
11.5	AC0008013	Base for handle W26x19	1
11.6	AC0009447	Connection piece 26x19 H76	1
12	AQ0003080	Rubber G1/2"	1
13	AQ0013557	Onair hand shower	1





WE ARE IB

WARRANTY

All IB Rubinetterie SpA products are warranted for 10 years from the date of purchase, for the following cases:

- Defects of casting, porosity and chrome plating.
- Operating defects caused by incorrect fabrication.

The warranty provides for repair or replacement of products with fabrication defects recognized by our technical office. There is no other type of compensation anche the merchandise must be returned FOB our warehouse. The warranty only cover surface defects (scatches, dings, etc.) on fitting that have not been installed and used, returned in its original packaging with all components. O-ring, gasket seals and components subject to wear proportional to use are warranted for 2 years.

The warranty is void in the following cases:

Error installing and putting the product into service.

Deterioration of finished surfaces due to use of cleaning products containing acids or abrasive substances. Deterioration of surface with finishes other than chrome plating. Their durability is, in fact, dependent on the user's care and gentleness of use.

Deterioration of the fitting due incorrect installation.

Improper repairs and maintenance performed without the company's prior authorization.

The warranty from IB Rubinetterie SpA is not renewable.

Cleaning

We recommended cleaning the finish surfaces with water and soap, using a soft cloth.

Do not use detergents that contain hydrochloric acid or abrasive substances.

