



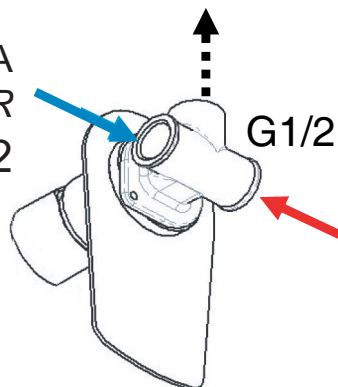
SCHEDA TECNICA TECHNICAL FEATURES

ART. COD.

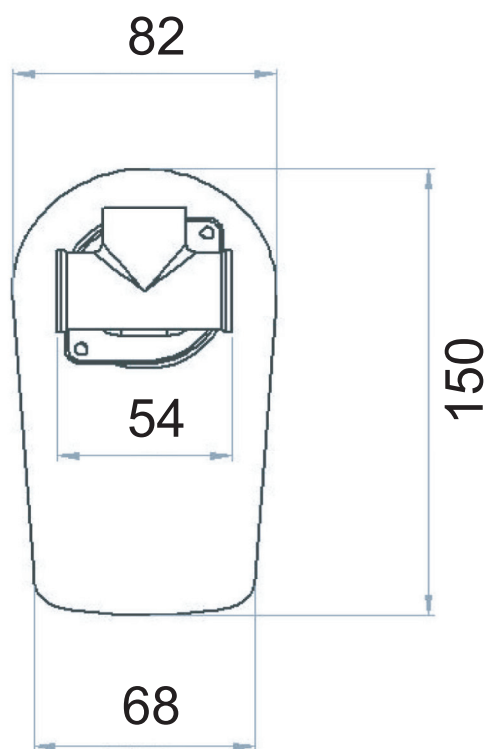
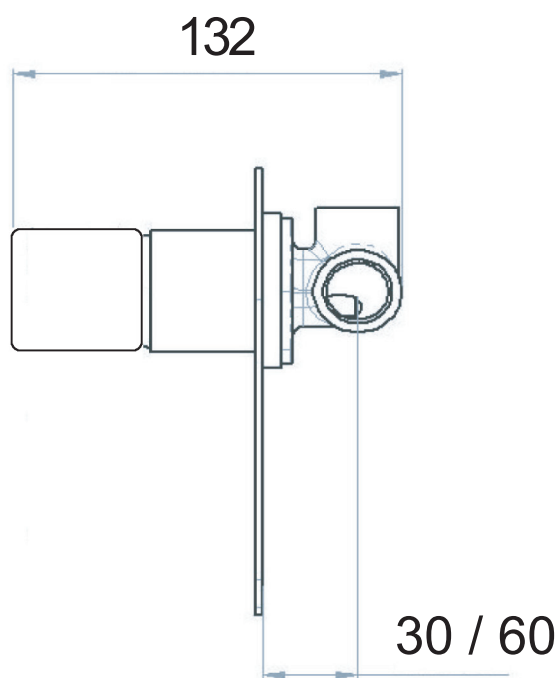
FU602



ACQUA FREDDA
COLD WATER
G 1/2



ACQUA CALDA
HOT WATER
G 1/2



MATERIALI / MATERIALS

OTTONE CROMATO / CHROME PLATED BRASS

CROMATURA / CHROME PLATING

UNI EN 248