



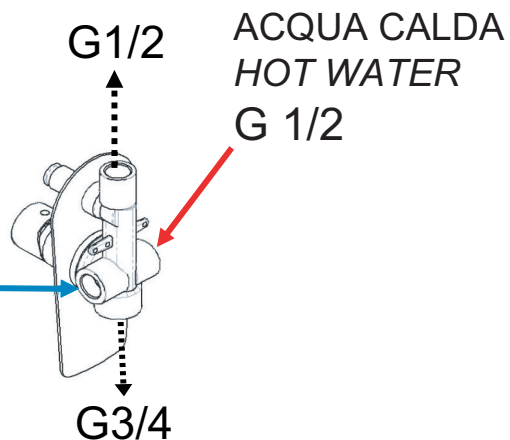
SCHEDA TECNICA TECHNICAL FEATURES

ART. COD.

FU612



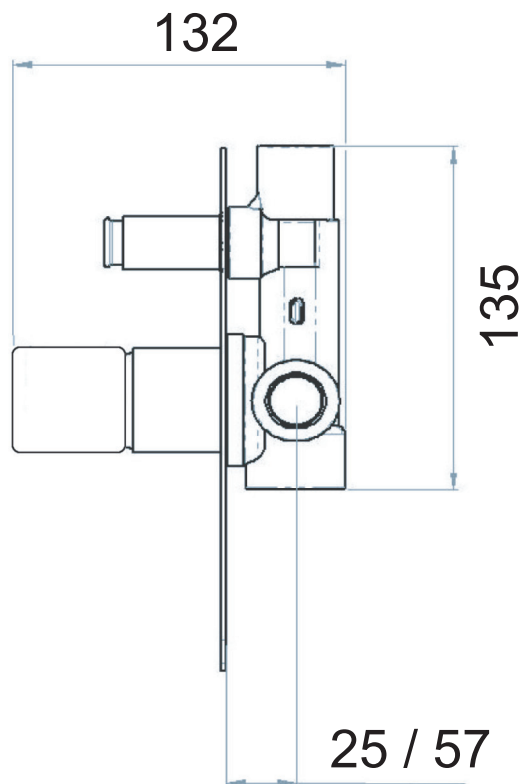
ACQUA FREDDA
COLD WATER
G 1/2



G 1/2

ACQUA CALDA
HOT WATER
G 1/2

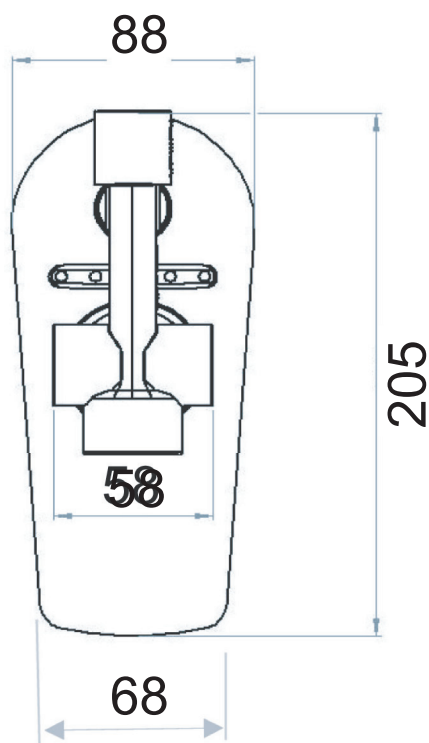
G 3/4



132

135

25 / 57



88

205

58

68

MATERIALI / MATERIALS

OTTONE CROMATO / CHROME PLATED BRASS

CROMATURA / CHROME PLATING

UNI EN 248