

UNIVERSAL

Universal Shower Drain

UNSD02



SHOWN IN UNIVERSAL SHOWER DRAIN| UNSD02

TECHNICAL DETAILS

Drain Assembly Materials: Iron
Drain Depth Maximum: 1"
Drain Hole Diameter: 2"
Drain Style: Fixed Strainer
Escutcheon Primary Material: Brass
Depth / Width: 8 3/8"
Drain Depth Minimum: 1/4"
Height: 5"
Length: 8 3/8"
Outlet Connection Size: 2"
Outlet Connection Type: No Hub
Primary Material: Brass
Suggested Application: Bath

INSPIRATION

Our Universal collection features timeless designs complementing any of our Waterworks. With a wide range of product, from fittings to accessories, Universal adds exquisite proportion and balance to any environment.

CODES & STANDARDS

Code # WWSD02: ASME A112.18.2 / CSA B125.2, IAPMO, State of MA

PRODUCT FEATURES

The artfully designed shower drain brings style and grace right down to your toes, with a five inch square geometric face plate

This item is stocked in a Chrome, Nickel or Matte Nickel finishes and additional made-to-order finish options are available in 12 weeks from purchase

This single drain can handle 17 gpm

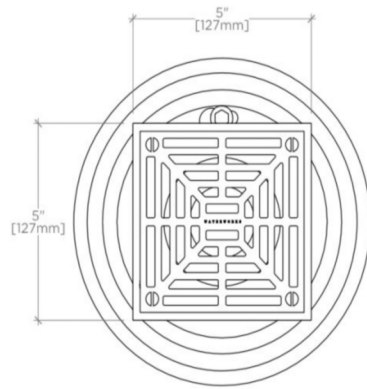


WATERWORKS

UNIVERSAL

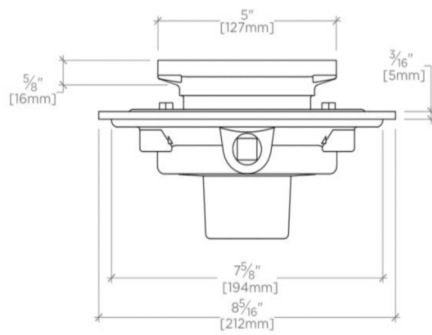
Universal Shower Drain

UNSD02



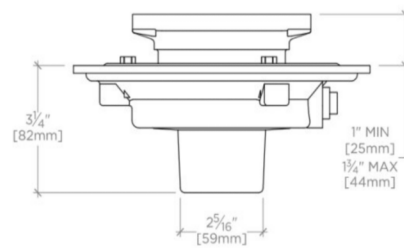
TOP VIEW

SCALE: 3"=1'-0"



FRONT VIEW

SCALE: 3"=1'-0"



SIDE VIEW

SCALE: 3"=1'-0"