

WWSD02-K

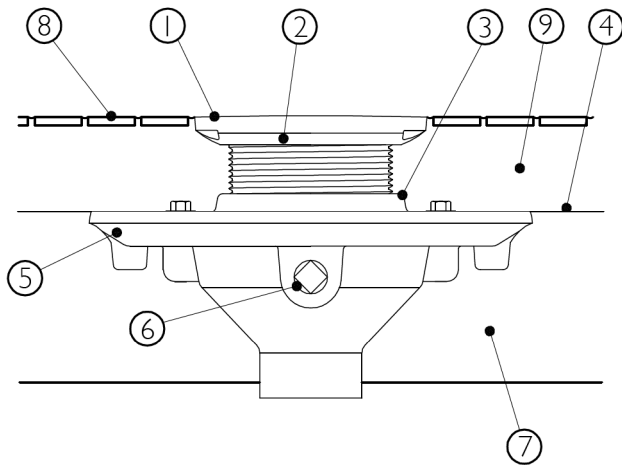
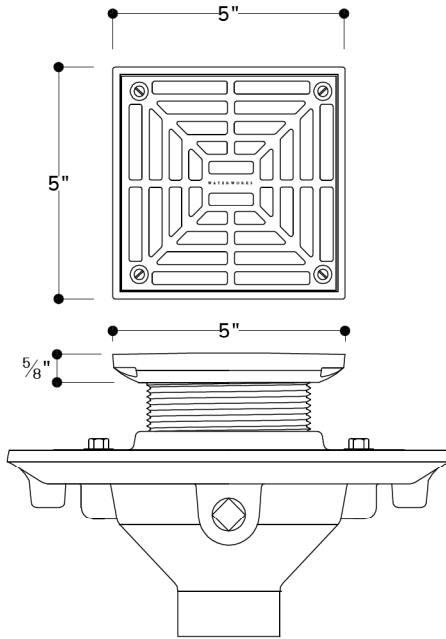
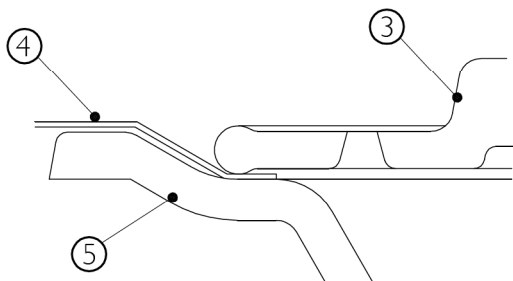


FIGURE 1



IMPORTANT

- **To ensure this product is installed properly, you must read and follow these guidelines.**
- **Be sure your installation conforms to local codes.**
- **Inspect this product to assure you have all parts required for proper installation.**

1. Strainer
2. Strainer body: 1" - 1 3/4" of adjustment.
3. Clamping collar: secured with three bolts
4. Waterproof membrane: clamped between clamping collar (3) and drain body (5). Rubber membrane or a copper pan can be used (see figure 1). In the case of copper shower pans, insulation must protect the copper from conducting substances with 15 pound asphalt felt or its equivalent. This includes the drain body and clamping collar.
5. 2" no hub drain body.
 - 2" hub outlet with slip joint gasket connection available.
 - 2" Female IPS threaded outlet connection available.
6. 1/2" IPS trap primer connection: optional; if not using, apply thread compound and tighten metal plug into body.
7. Concrete slab: illustration only, material can be plywood where applicable
8. Tile floor
9. Mud bed: illustration only, can be tile setting material. Broken pieces of tile or gravel around strainer body will prevent weep holes from being clogged with the mud bed.

If further assistance is required, please contact Product Support at 1-800-927-2120 (8am-7pm EST)