

## Features

- HydroRail-R arch shower column designed for new installations or retrofit applications to replace an existing shower arm.
- Diverter positioned at the base of the column makes for easy toggling between the handshower and rainhead.
- Slidebar bracket allows you to adjust the height and angle of the handshower.
- 2.0 gpm (7.6 l/min) maximum flow rate.
- Shift Ellipse multifunction handshower offers full-coverage and targeted massage spray options.
- Handshower contains flow-regulating check valve for backflow prevention.
- 8" Awaken® rainhead with a full coverage spray and an adjustable ball joint for precise spray adjustment.

## Material

- HydroRail-R and hose made of premium metal construction.
- KOHLER finishes resist corrosion and tarnishing.

## Installation

- In-shower only wall-mount installation.
- Installs in less than 60 minutes without changes to in-wall plumbing (subject to condition of existing installation).
- Includes an adapter that fits most installations.

## Adapters, Rough-in and Extension Kits

1187917 Range: 0" (0 mm) - 1-3/8" (35 mm)

1194630 Range: 2-7/8" (73 mm) - 4" (102 mm)

## Recommended Products/Accessories

K-23723 Faucet cleaner

## Optional Products/Accessories

K-9660 Vacuum Breaker

1194302 Large Escutcheon/Mounting Collar Kit

## Included Components

Product consists of:

K-76464 8" Rainhead

K-45415-A Multifunction 2-Way Handshower, 2.0 gpm

K-9514 60" Shower Hose

K-45211 arch shower column



OBC

## Codes/Standards

ASME A112.18.1/CSA B125.1

DOE - Energy Policy Act 1992



OBC

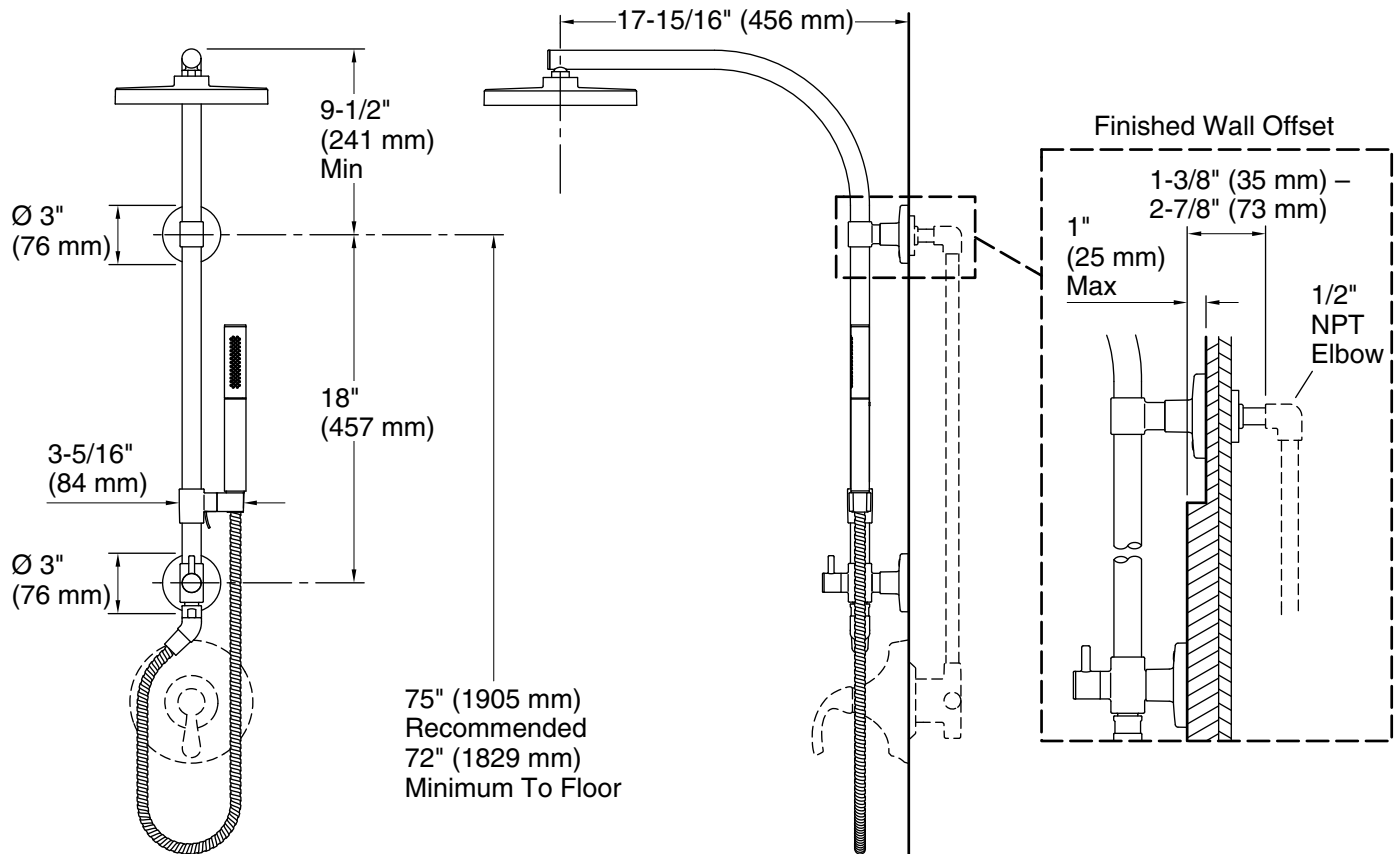
## KOHLER® Faucet Lifetime Limited Warranty

See website for detailed warranty information.

## Available Colors/Finishes

*Color tiles intended for reference only.*

Color	Code	Description
	CP	Polished Chrome
	BN	Vibrant® Brushed Nickel



**Technical Information**

All product dimensions are nominal.

Drain included: No

**Handshower:**

Rated maximum flow: 2 gal/min (7.6 l/min)

Pressure: 80 psi (5.5 bar)

**Showerhead/Body Spray:**

Rated maximum flow: 2 gal/min (7.6 l/min)

Pressure: 80 psi (5.5 bar)

**Notes**

For use with automatic compensating valves rated at 1.77 gal/min (6.7 l/min) or less.

Install this product according to the installation instructions.

Plumbing codes may require an atmospheric vacuum breaker be installed in-line to handshowers. Consult with local codes.

Order deep roughing-in kit if the distance from the elbow to the finished wall surface is between 2-7/8" (73 mm) to 4" (102 mm).

Order shallow roughing-in kit if the distance from the elbow to the finished wall surface is less than 1-3/8" (35 mm).

A 3" (76 mm) escutcheon/mounting collar is supplied to fit a 1" (25 mm) to 1-1/4" (32 mm) supply connection hole diameter. Order large escutcheon/mounting collar kit if the supply connection hole diameter is between 1-1/4" (32mm) to 2-1/4" (57 mm).

OBC compliant when installed to the specific requirements of these regulations.