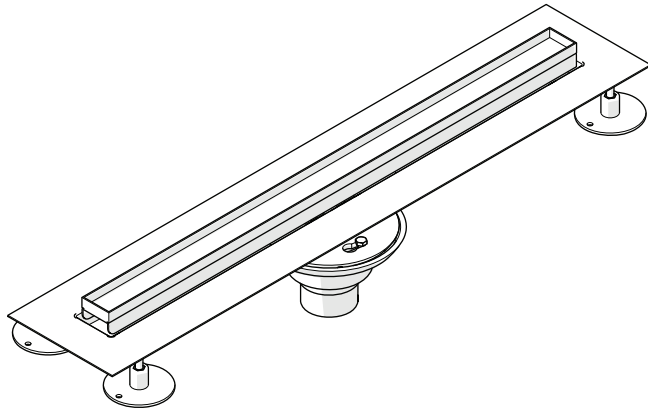


STYLE No.
UNSD28, UNSD36, UNSD48

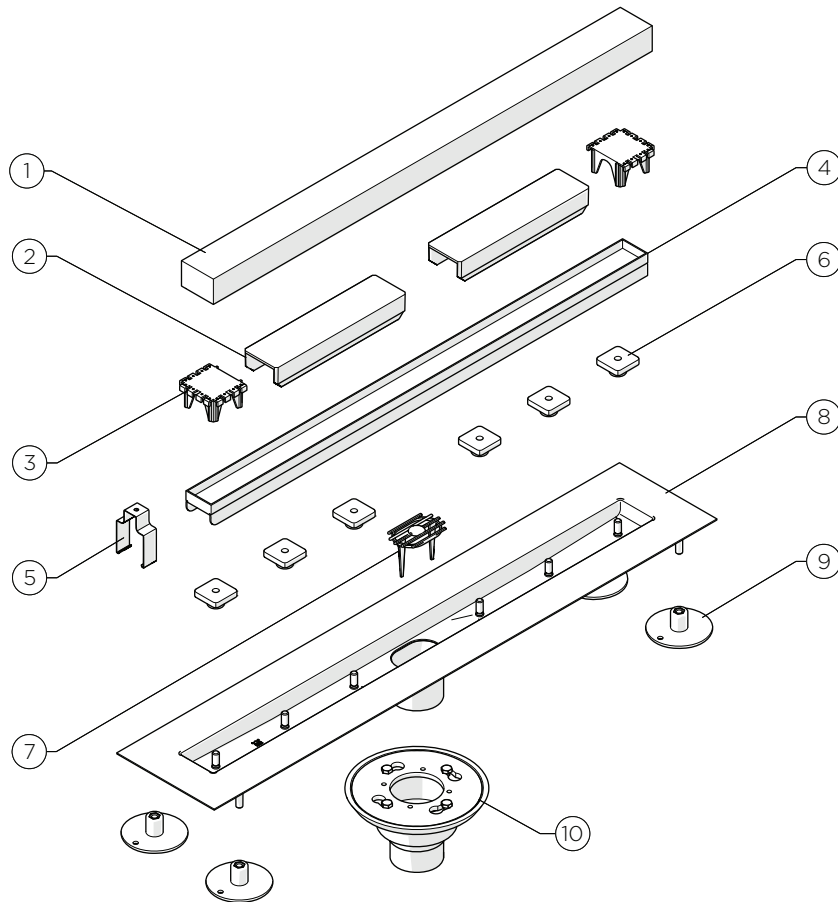


SPECIFICATIONS:

- Outlet Connection: 2" No Hub

IMPORTANT:

- To ensure this product is installed properly, you must read and follow these guidelines. The owner/user of this product must keep this information for future reference.
- This product must be on-site prior to rough-in. This allows the installer to visualize the installation and verify dimensions.
- This product must be installed by a professional licensed contractor. Be sure your installation conforms to all federal, state, and local codes. In the State of Massachusetts, all installations must comply with the rules and regulations set forth within 248 CMR.
- Refer to the specification and assembly drawings attached. Product is sold partially assembled but shown fully disassembled for illustrative and service purposes only.
- Inspect the product to ensure you have all the parts required for proper installation.

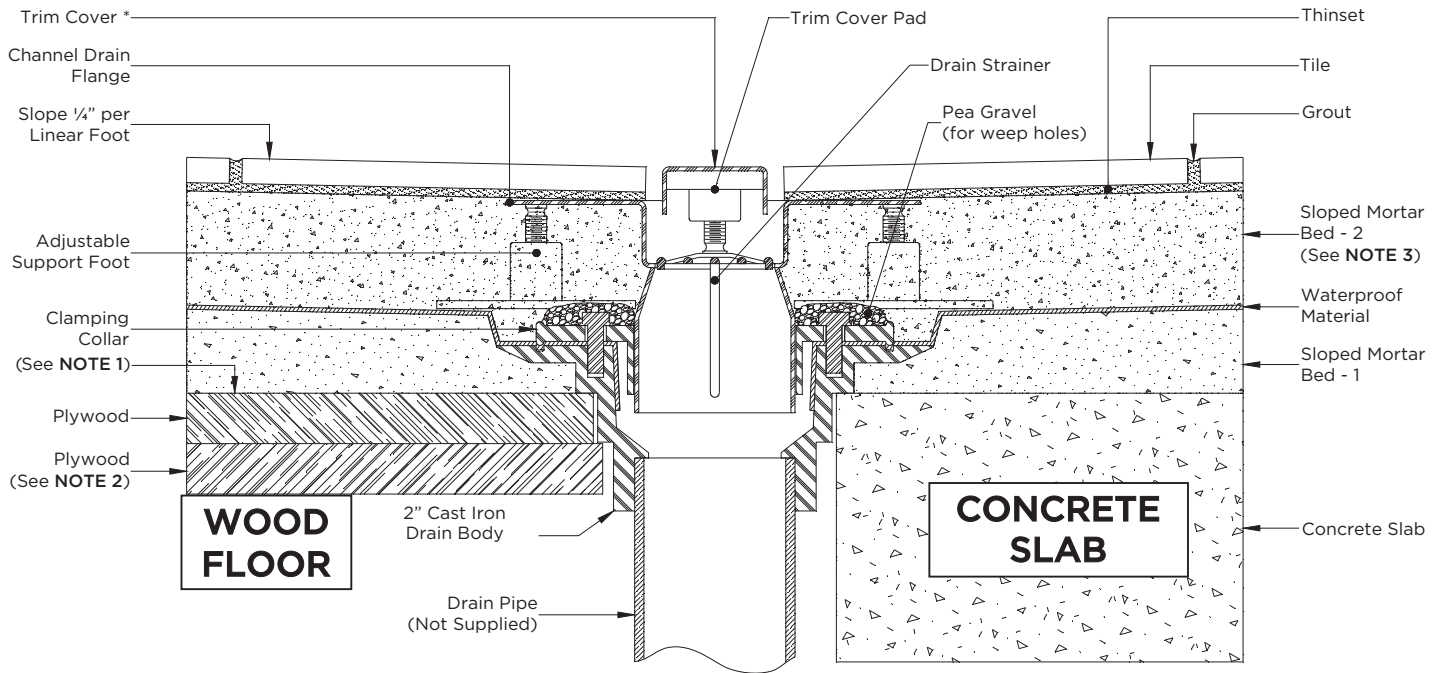


Item No.	Description	Qty
1	Mud Guard	1
2	Tile Guard	2
3	Straight Edge Frame Holder	2
4	Trim Cover	1
5	Removal Tool	1
6	Trim Cover Pad	6
7	Drain Strainer	1
8	Channel Drain	1
9	Adjustable Support Foot	4
10	2" No Hub Drain Body	1

FIGURE - 01

These guidelines have been prepared for the professional contractor to aid in the installation of:
UNIVERSAL 28" CHANNEL SHOWER DRAIN (STYLE No. UNSD28), UNIVERSAL 36" CHANNEL SHOWER DRAIN (STYLE No. UNSD36) & UNIVERSAL 48" CHANNEL SHOWER DRAIN (STYLE No. UNSD48).
 All dimensions are based on original specification and are subject to change and variation.
 Please consult your Design Associate for current specifications.

WATERWORKS



NOTES:

1. Moisture resistant material should be used between plywood and mortar base.
2. Floor (plywood) / joist structure should be of adequate strength to carry load from finished shower base.
3. Mortar base thickness shall be 1" minimum.

* Tile Installation for Trim Cover

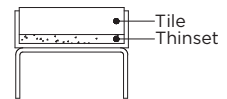


FIGURE - 02

INSTALLATION:

- Position the drain pipe so that the edges of the CHANNEL DRAIN are a minimum of 2" from the surface of the finished wall. See Figure - 03.

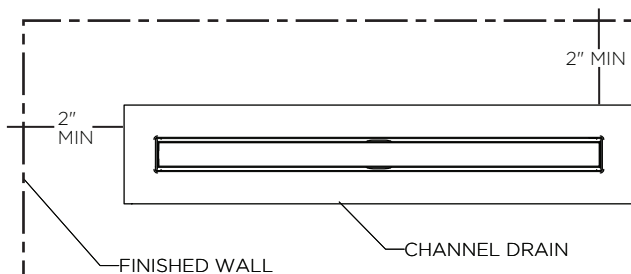


FIGURE - 03

- For wood sub-floor installations, see Figure - 02:
 - Install adequate blocking to properly support the 2" DRAIN BODY and strap the drain pipe (not supplied).
 - Cut a Ø3-5/8" hole in the sub floor to properly support the DRAIN BODY.
 - The throat of the 2" DRAIN BODY should pass through the sub-floor and the flange should rest on the sub-floor.

- For concrete slab installations, see Figure - 02:

- Backfill with dirt and concrete around the 2" DRAIN BODY.

1. Connect the 2" DRAIN BODY to the pre-installed drain pipe (not supplied) and perform a leak test conforming to all federal, state, and local codes. It may be necessary to trim the drain pipe to obtain the proper final installation height.
2. Loosen the BOLTS and remove the CLAMPING COLLAR from the DRAIN BODY. See Figure - 04.

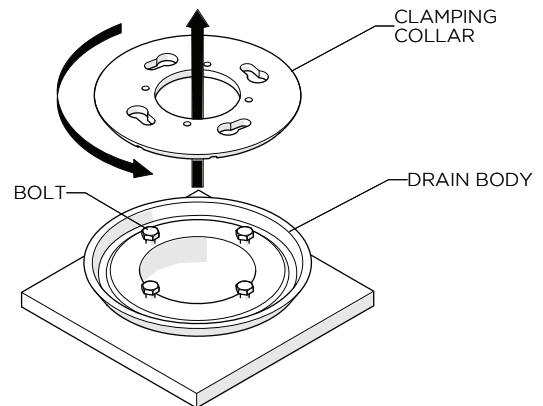


FIGURE - 04

These guidelines have been prepared for the professional contractor to aid in the installation of: UNIVERSAL 28" CHANNEL SHOWER DRAIN (STYLE No. UNSD28), UNIVERSAL 36" CHANNEL SHOWER DRAIN (STYLE No. UNSD36) & UNIVERSAL 48" CHANNEL SHOWER DRAIN (STYLE No. UNSD48). All dimensions are based on original specification and are subject to change and variation. Please consult your Design Associate for current specifications.

WATERWORKS

- Refer to Figure - 01 & 02 for Steps 3 - 16.
- 3. Apply mortar or similar material, pitched at a 1/4" per linear foot slope, over the sub-floor. The slope should begin at the shower walls and end at the DRAIN BODY.
- Do **NOT** apply mortar over the DRAIN BODY and take care to keep the drain opening free of any debris.
- 4. Install a waterproof material over the sloped mortar bed and DRAIN BODY. Install the waterproof material per the manufactures instructions conforming to all federal, state, and local codes.
- 5. Cut the waterproof material to expose the BOLTS and drain opening then re-attach the CLAMPING COLLAR and tighten the BOLTS. Ensure that the WEEP HOLES on the CLAMPING COLLAR are open and free of any excess waterproof material.
- 6. Perform a leak test of the waterproof material as described by the manufacturer conforming to all federal, state, and local codes.
- 7. Insert the CHANNEL DRAIN into the CLAMPING COLLAR and ensure that it is level.
- The CHANNEL DRAIN has 4 ADJUSTABLE SUPPORT FEET that can be used to level the DRAIN.
- 8. Place some pea gravel around the WEEP HOLES to prevent mortar from blocking them.
- It is necessary that the WEEP HOLES are open and free of building material to allow for proper water seepage.
- 9. Install the MUD GUARD to prevent debris and other materials from entering the CHANNEL DRAIN.
- 10. Apply a second mortar bed or similar material over the waterproof material at a 1/4" per linear foot slope. The slope should begin at the shower walls and end at the MUD GUARD.
- 11. Remove the MUD GUARD and install either the TILE GUARDS or the STRAIGHT EDGE FRAME HOLDERS.
- 12. Apply an appropriate amount of thinset, taking into account the minimum and maximum height of the TRIM COVER as shown in Figure - 05, and install the finished floor.
- It is important to install the finished floor flush to the TILE GUARDS or FRAME HOLDERS.
- When using the FRAME HOLDERS, the gap left between the frame and the finished floor must be filled with grout or similar material.

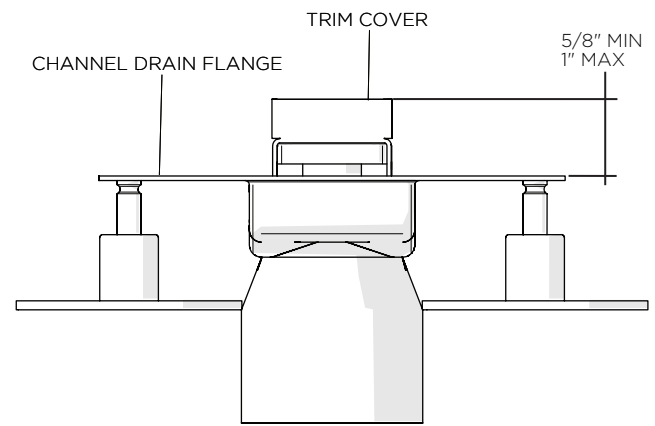


FIGURE - 05

- 13. Remove the TILE GUARDS or FRAME HOLDERS and install the DRAIN STRAINER.
- 14. Install the TRIM COVER PADS to an appropriate height and ensure they are level.
- 15. Apply an appropriate amount of thinset into the TRIM COVER to obtain the same height as the surrounding finished floor then install a rectangular piece of finished floor material into the TRIM COVER.
- 16. Place the TRIM COVER into the CHANNEL DRAIN and ensure that all the surfaces are level.
- If further assistance is required, please contact Product Support at 1-800-927-2120 Ext 2 Monday through Friday, 8am - 6pm EST.

These guidelines have been prepared for the professional contractor to aid in the installation of:
UNIVERSAL 28" CHANNEL SHOWER DRAIN (STYLE No. UNSD28), UNIVERSAL 36" CHANNEL SHOWER DRAIN (STYLE No. UNSD36) & UNIVERSAL 48" CHANNEL SHOWER DRAIN (STYLE No. UNSD48).
All dimensions are based on original specification and are subject to change and variation.
Please consult your Design Associate for current specifications.

WATERWORKS