
Limit switches

XC Standard range

Catalogue



Simply easy!™

Selection guide *page 2*

- **Variable composition:** Simplicity through innovation *page 16*
- General *page 18*

XC Standard

- Miniature design, metal, XCMD
 - Presentation *page 26*
 - Pre-cabled *page 28*
 - Integral or remote connector *page 36*
 - Separate components *page 49*
- Miniature design for mobile equipment, metal, XCMV
 - Presentation *page 50*
 - Complete units with connector *page 53*
 - Modular units with connector *page 56*
 - Pre-cabled modular units *page 62*
- Compact design, plastic, XCKP
 - Presentation *page 72*
 - Complete units with 1 cable entry *page 74*
 - Integral M12 connector *page 78*
- Compact design, metal, XCKD
 - Presentation *page 72*
 - Complete units with 1 cable entry *page 80*
 - Integral M12 connector *page 84*
- Compact design, plastic, XCKT
 - Presentation *page 72*
 - Complete units with 2 cable entries *page 86*
- Compact design, XCKD, XCKP and XCKT
 - Presentation *page 72*
 - Variable composition *page 88*
 - Adaptable sub-assemblies: bodies, contacts *page 90*

XC Standard, with reset

- Compact design, plastic, XCPR
 - Presentation *page 94*
 - Complete switches with 1 cable entry *page 96*
- Compact design, metal, XCDR
 - Presentation *page 94*
 - Complete switches with 1 cable entry *page 98*
- Compact design, plastic, XCTR
 - Presentation *page 94*
 - Complete switches with 2 cable entries *page 100*

XC Basic

- Miniature design, plastic, XCMN - Presentation *page 68*
 - Complete units, pre-cabled *page 70*
- Compact design, plastic, XCKN and XCNT - Presentation *page 102*
 - Complete units with 1 cable entry *page 104*
 - Complete units with 2 cable entries *page 106*
- Compact design, with reset, XCNR and XCNTR - Presentation *page 110*
 - Complete units with 1 cable entry *page 112*
 - Complete units with 2 cable entries *page 113*

XC Standard, “Classic” format

- Metal, XCKM - Presentation *page 116*
 - Complete switches with 3 cable entries *page 118*
- Metal, XCKL - Presentation *page 116*
 - Complete switches incorporating cable gland *page 120*
- Metal, 2 x 2-pole contacts, XCKML - Presentation *page 116*
 - Complete switches with 3 cable entries *page 122*
- Metal, XCKM and XCKL
 - Variable composition *page 124*
 - Adaptable sub-assemblies *page 126*

XC Standard, EN 50041 format

- Plastic, double insulated, XCKS - Presentation *page 132*
 - Complete switches with 1 cable entry *page 134*
 - Variable composition *page 138*
 - Adaptable sub-assemblies: bodies, contact blocks *page 140*

XC Standard, industrial EN 50041 format

- Metal, XCKJ - Presentation *page 144*
 - Complete switches
 - Fixed body with 1 cable entry *page 146*
 - Fixed body with 1 integral M12 connector *page 150*
 - Fixed body with 1 integral 7/8”16 UN connector *page 152*
 - Variable composition: standard bodies, fixed or plug-in *page 154*
 - Adaptable sub-assembly
 - Bodies, contact blocks *page 164*
 - For low temperature applications (- 40 °C) *page 166*
 - For high temperature applications (+ 120 °C) *page 169*
- **Product reference index** *page 172*

Limit switches

XC Standard range

Design/Applications	Miniature format	Miniature format for mobile equipments	Compact format, CENELEC EN 50047
	Metal, pre-cabled	Metal, pre-cabled	Plastic, 1 cable entry



Enclosure	Metal	Metal	Plastic, double insulated
Modularity	Head, body and connection modularity	Head, body and connection modularity	Head, body and cable entry modularity
Conformity/Certifications	CE, UL, CSA, CCC, EAC	CE, UL, CSA	CENELEC EN 50047 UL, CSA, CCC, EAC
Body dimensions (w x h x d) in mm	30 x 50 x 16	30 x 50 x 20.5	31 x 65 x 30
Head	Linear movement (plunger) Rotary movement (lever) Rotary movement, multidirectional Same heads for ranges XCMD, XCMV, XCKD, XCKP and XCKT		
Contact blocks			
2 electrically separate contacts	• snap action with positive opening operation • slow break with positive opening operation	•	•
2 same polarity contacts	– snap action – slow break	–	–
3 electrically separate contacts	• snap action with positive opening operation • slow break with positive opening operation	–	•
4 electrically separate contacts	• snap action with positive opening operation – slow break with positive opening operation	–	–
4 contacts (2 x 2 same polarity contacts)	– snap action	•	–
Degree of protection IP/IK	IP 66, IP 67, IP 68, IK 06	IP 66, IP 67, IP 69, IK 04, IK 06 depending on model	IP 66, IP 67, IK 04,
Operating temperature	- 25 °C... + 70 °C		
Raccordement			
Screw terminals	–	–	1 entry for ISO M16 or M20, Pg 11, Pg 13.5 cable gland or 1/2" NPT, PF 1/2
Pre-cabled	Ø 7.5 PVR, CEI, halogen free, depending on model	Ø 6.4 PVR	–
Connector	Integral or remote M12 or remote 7/8"-16UN	M12, Deutsch DT04-4P or AMP Superseal 1.5	M12
Type reference	XCMD	XCMV	XCKP
Pages	28	50	74 and 78

Compact format, CENELEC EN 50047		Compact format, with reset		
Plastic, 2 cable entries	Metal, 1 cable entry	Plastic, 1 cable entry	Plastic, 2 cable entries	Metal, 1 cable entry



Enclosure	Plastic, double insulated	Metal	Plastic, double insulated	Metal
Modularity	Head and body modularity	Head, body and connection modularity	–	–
Conformity/Certifications	CENELEC EN 50047, UL, CSA, CCC, EAC		CE, UL, CSA, EAC	
Body dimensions (w x h x d) in mm	58 x 51 x 30	31 x 65 x 30	31 x 65 x 30	58 x 51 x 30 31 x 65 x 30
Head	Linear movement (plunger) Rotary movement (lever) Rotary movement, multidirectional Same heads for ranges XCMD, XCMV, XCKD, XCKP and XCKT		Linear movement (plunger) Rotary movement (lever)	
Contact blocks				
2 electrically separate contacts	•	•	•	•
2 same polarity contacts	–	–	–	–
3 electrically separate contacts	•	•	–	–
4 electrically separate contacts	–	–	–	–
4 contacts (2 x 2 same polarity contacts)	–	–	–	–
Degree of protection IP/IK	IP 66, IP 67, IK 04	IP 66, IP 67, IK 06	IP 66, IP 67, IK 04 and IK06 (for XCDR)	
Operating temperature	- 25 °C... + 70 °C			
Raccordement				
Screw terminals	2 entries for ISO M16 or Pg 11 cable gland or 1/2" NPT (using adaptor)	1 entry for ISO M16 or M20, Pg 11, Pg 13.5 cable gland or 1/2" NPT, PF 1/2	1 entry for ISO M20 or Pg 13.5 cable gland or 1/2" NPT	2 entries for ISO M16 or Pg 11 cable gland or 1/2" NPT (using adaptor)
Pre-cabled	–	–	–	–
Connector	–	M12	–	–
Type reference	XCKT	XCKD	XCPR	XCTR XCDR
Pages	86	80 and 84	96	100 98

Limit switches

XC Standard range

Design	"Classic" format		Industrial EN 50041 format	
	Metal, 3 cable entries	Metal, 1 cable entry	Plastic, 1 cable entry	Metal, 1 cable entry or connector



Enclosure	Metal		Plastic, double insulated	Metal																																																						
Modularity	Head, body and operator modularity																																																									
Conformity/Certifications	CE, UL, CSA, CCC (XCKM), EAC		CENELEC EN 50041 UL, CSA, CCC, EAC																																																							
Body dimensions (w x h x d) in mm	63 x 64 x 30	52 x 72 x 30	40 x 72.5 x 36	40 x 77 x 44 42.5 x 84 x 36																																																						
Head	Linear movement (plunger) Rotary movement (lever) Rotary movement, multidirectional																																																									
Contact blocks	<table border="1"> <tr> <td>2 electrically separate contacts</td> <td>snap action with positive opening operation</td> <td>•</td> <td>•</td> <td>•</td> <td>•</td> </tr> <tr> <td></td> <td>slow break with positive opening operation</td> <td>•</td> <td>•</td> <td>•</td> <td>•</td> </tr> <tr> <td>2 same polarity contacts</td> <td>snap action</td> <td>–</td> <td>–</td> <td>–</td> <td>•</td> </tr> <tr> <td></td> <td>slow break</td> <td>–</td> <td>–</td> <td>–</td> <td>–</td> </tr> <tr> <td>3 electrically separate contacts</td> <td>snap action with positive opening operation</td> <td>•</td> <td>•</td> <td>•</td> <td>•</td> </tr> <tr> <td></td> <td>slow break with positive opening operation</td> <td>•</td> <td>•</td> <td>•</td> <td>•</td> </tr> <tr> <td>4 electrically separate contacts</td> <td>snap action with positive opening operation</td> <td>–</td> <td>–</td> <td>–</td> <td>–</td> </tr> <tr> <td></td> <td>slow break with positive opening operation</td> <td>–</td> <td>–</td> <td>–</td> <td>–</td> </tr> <tr> <td>4 contacts (2 x 2 same polarity contacts)</td> <td>snap action</td> <td>–</td> <td>•</td> <td>•</td> <td>•</td> </tr> </table>				2 electrically separate contacts	snap action with positive opening operation	•	•	•	•		slow break with positive opening operation	•	•	•	•	2 same polarity contacts	snap action	–	–	–	•		slow break	–	–	–	–	3 electrically separate contacts	snap action with positive opening operation	•	•	•	•		slow break with positive opening operation	•	•	•	•	4 electrically separate contacts	snap action with positive opening operation	–	–	–	–		slow break with positive opening operation	–	–	–	–	4 contacts (2 x 2 same polarity contacts)	snap action	–	•	•	•
2 electrically separate contacts	snap action with positive opening operation	•	•	•	•																																																					
	slow break with positive opening operation	•	•	•	•																																																					
2 same polarity contacts	snap action	–	–	–	•																																																					
	slow break	–	–	–	–																																																					
3 electrically separate contacts	snap action with positive opening operation	•	•	•	•																																																					
	slow break with positive opening operation	•	•	•	•																																																					
4 electrically separate contacts	snap action with positive opening operation	–	–	–	–																																																					
	slow break with positive opening operation	–	–	–	–																																																					
4 contacts (2 x 2 same polarity contacts)	snap action	–	•	•	•																																																					
Degree of protection IP/IK	IP 66, IK 06		IP 65, IK 03	IP 66, IK 07																																																						
Operating temperature	- 25°C... + 70°C		- 25°C... + 70°C - 40°C or + 120°C depending on model																																																							
Connection	Screw terminals (entry for cable gland)		Connector																																																							
	3 entries for ISO M20, Pg 11 cable gland or 1/2" NPT	1 entry incorporating cable gland or tapped 1/2" NPT	1 entry for ISO M20, Pg 13.5 cable gland or 1/2" NPT	1 entry for ISO M20, Pg 13.5 cable gland or 1/2" NPT																																																						
	–			Integral M12 or 7/8"-16UN																																																						
Type reference	XCKM	XCKL	XCKS	XCKJ																																																						
Pages	116	116	132	144																																																						

Miniature format	Compact format EN 50047		Compact format, with reset knob	
	Plastic, pre-cabled	Plastic, 1 cable entry	Plastic, 2 cable entries	Plastic, 1 cable entry



Plastic, double insulated				
–				
CE, UL, CSA, CCC, EAC		CENELEC EN 50047, UL, CSA, CCC, EAC		CE, UL, CSA, CCC, EAC
30 x 50 x 16	31 x 65 x 30	59 x 51 x 30	31 x 65 x 30	59 x 51 x 30
Linear movement (plunger) Rotary movement (lever) Rotary movement, multidirectional				
•	•	•	•	•
–	•	•	•	•
–	–	–	–	–
–	•	•	•	•
–	•	–	•	–
–	–	–	–	–
–	–	–	–	–
–	–	–	–	–
IP 65, IK 04				
- 25°C... + 70 °C				
–	1 entry for ISO M20 or Pg 11 cable gland Other cable entries: ISO M16 x 1.5 or PF 1/2 (G1/2)	2 entries for ISO M16 or Pg 11 cable gland or 1/2" NPT (using adaptor)	1 entry for ISO M20 or Pg 11 cable gland Other cable entries: ISO M16 x 1.5 or PF 1/2 (G1/2)	2 entries for ISO M16 or Pg 11 cable gland or 1/2" NPT (using adaptor)
Ø 7.5 PvR, CEI, halogen free, depending on model	–			
XCMN	XCKN	XCNT	XCNR	XCNTN
70	104	106	112	113

Limit switches

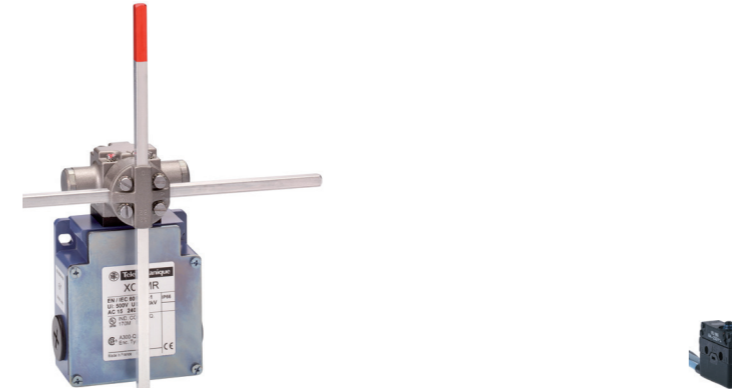
XC Special range

Design/Applications	Very severe applications	Very severe material handling applications	For hoisting and material handling applications (XCR); for conveyor belt shift monitoring (XCRT)
	Metal, 1 cable entry	Metal, 3 cable entries	Metal or polyester, 1 cable entry



Enclosure	Metal	Metal	Metal or polyester
Modularity	Head and body modularity	–	–
Conformity/Certifications	CE, UL, CSA, EAC	CE, CSA, EAC	CE, CSA (XCR), CCC (XCR), EAC
Body dimensions (w x h x d) in mm	40 x 81 x 41	77 x 83 x 44	85 x 95 x 75
Head	Linear movement (plunger) or rotary movement (lever)	Linear movement (plunger)	Rotary movement (lever)
Contact blocks			
2 electrically separate contacts			
snap action with positive opening operation	–	–	–
slow break with positive opening operation	–	•	–
2 same polarity contacts			
snap action	•	–	–
slow break	–	•	–
3 electrically separate contacts			
snap action with positive opening operation	–	–	–
slow break with positive opening operation	–	–	–
4 electrically separate contacts			
snap action with positive opening operation	–	–	•
slow break with positive opening operation	–	–	•
4 contacts (2 x 2 same polarity contacts), snap action	•	–	•
Degree of protection IP/IK	IP 65, IK 08	IP 65	IP 54, IK 07 or IP 65, depending on model
Operating temperature	- 25°C... + 70°C; - 40° C or + 120° C (XC2J depending on model)		
Connection			
Screw terminals (entry for cable gland)	1 entry with integral cable gland	3 tapped entries for Pg 13.5 cable gland	1 tapped entry for Pg 13.5 cable gland
Pre-cabled	–	–	–
Connector	–	–	–
Type reference	XC2J	XC1AC	XCR XCRT
Pages	Please refer to our catalogue "Limit switches XC Special".		

Design/Applications	For hoisting and material handling applications	Subminiature format and microswitch. Applications requiring high precision and a low operating force
	Metal or plastic, 3 cable entries	Plastic, pre-cabled



Enclosure	Metal or plastic	Polyester
Modularity	–	–
Conformity/Certifications	CE, UL, CSA, CCC, EAC	CE, UL
Body dimensions (w x h x d) in mm	118 x 77 x 59 (metal) 118 x 77 x 67 (plastic)	Depending on type
Head	Rotary movement (lever)	–
Contact blocks		
2 electrically separate contacts		
snap action with positive opening operation	–	–
slow break with positive opening operation	–	–
2 same polarity contacts		
snap action	–	•
slow break	–	–
3 electrically separate contacts		
snap action with positive opening operation	–	–
slow break with positive opening operation	–	–
4 electrically separate contacts		
snap action with positive opening operation	–	–
slow break with positive opening operation	•	–
4 contacts (2 x 2 same polarity contacts), snap action	–	–
Degree of protection IP/IK	IP 66, IK 07 (metal) IP 65, IK 04 (plastic)	IP 67 or IP 40 depending on model IP 00 (tags)
Operating temperature		
Connection		
Screw terminals (entry for cable gland)	3 tapped entries for Pg 13.5 cable gland or tapped M20 x 1.5	Tag connections or pre-wired, depending on model
Pre-cabled	–	–
Connector	–	–
Type reference	XCKMR XCKVR	XEP
Pages	Please refer to our catalogue "Limit switches XC Special".	

Safety limit switches

XCS range

Switch type	XCS safety limit switches	
Applications	Protection of operators by stopping the machine when the gate is opened. All machines with quick rundown time.	
Design	Miniature format	Compact format
	Pre-cabled	With 1 cable entry



Case	Metal	Plastic	Metal
Features	-		
Conformity to standards	EN/IEC 60947-5-1, EN/ISO 13849-1, EN/IEC 62061, UL 508, CSA C22-2 no. 14 EN/IEC 60204-1, EN/ISO 14119		
Product certifications	UL, CSA, CCC, EAC		
Dimensions (w x h x d) in mm	Switch 30 x 50 x 16	Fixings 31 x 34 x 89	Centers 20/22
Head	Plunger or rotary head Head adjustable in 15° steps through 360° Linear (plunger) or rotary (lever) actuation.		
Contact blocks	NC contacts with positive opening operation		
	2 NC + 1 NO break before make, slow break 2 NC + 1 NO and 2 NC + 2 NO snap action	XCSD: 2 NC + 1 NO break before make, slow break or snap action XCSP: 2 NC + 1 NO snap action	
Degree of protection	IP 66, IP 67 and IP 68	IP 66 and IP 67	
Ambient air temperature	For operation -25...+70 °C		
Connection	Screw terminals (cable entry via cable gland)	Tapped entry for Pg 13.5, ISO M20 cable gland or tapped 1/2" NPT	
	Pre-cabled	L = 1, 2 or 5 m	
Type reference	XCSM	XCSP	XCSD
Pages	Please refer to our catalogue " Safety switches XCS range ".		

XCS lever or spindle-operated safety switches		
Protection of operators by stopping the machine when the operating lever (attached to hinged machine guard) is displaced by 5°. All light industrial machines fitted with hinged or rotary protective covers with small opening radius.	Protection of operators by stopping the machine when the guard hinge rotates through 5°. All light industrial machines fitted with hinged access doors.	
Compact format	With 1 or 2 cable entries	



Plastic, double insulated		
2 types of lever: straight or elbowed (flush with rear of switch) 3 lever positions: to left, center or to right	2 types of spindle: length 30 mm or 80 mm	
EN/IEC 60947-5-1, EN/ISO 13849-1, EN/IEC 62061, UL 508, CSA C22-2 no. 14, JIS C4520 EN/IEC 60204-1, EN/ISO 14119		
UL, CSA, CCC, EAC		
30 x 87.5 x 30	30 x 96 x 30	52 x 117 x 30
20/22	20/22	20/22 or 40.3
Turret head: 4 positions Rotary actuation (lever)	Turret head: 4 positions Rotary actuation (spindle)	
Slow break safety contacts with positive opening operation NC contacts open when lever or spindle displaced by more than 5°		
1 NC + 1 NO break before make 2 NC 1 NC + 2 NO break before make 2 NC + 1 NO break before make	1 NC + 1 NO break before make 2 NC 1 NC + 2 NO break before make 2 NC + 1 NO break before make	1 NC + 2 NO break before make 2 NC + 1 NO break before make 3 NC
IP 67		
-25...+70 °C		
1 tapped entry for Pg 11, ISO M16 cable gland or tapped 1/2" NPT	1 tapped entry for Pg 11, ISO M16 cable gland or tapped 1/2" NPT	2 tapped entries for Pg 11, ISO M16 cable gland or tapped 1/2" NPT
-	-	-
XCSPL	XCSPR	XCSTR
Please refer to our catalogue " Safety switches XCS range ".		

Safety limit switches

XCS range

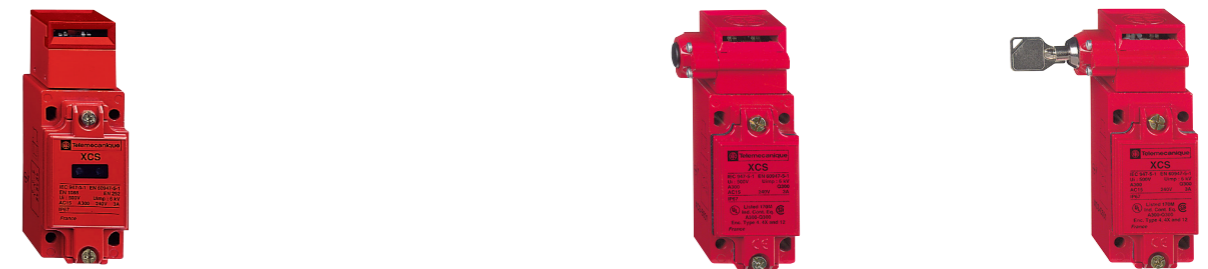
Switch type	XCS key-operated safety switches	
Applications	Protection of operators by stopping the machine when the actuating key (attached to machine guard) is withdrawn from the head of the switch. All light industrial machines with quick rundown time (1).	
Design	Miniature format	Compact format
	Pre-cabled	With 1 or 2 cable entries



Case	Plastic		
Features	Without locking of actuating key.	Without locking of actuating key. Optional accessory: guard retaining device.	
Conformity to standards	Products Machine assemblies	EN/IEC 60947-5-1, EN/ISO 13849-1, EN/IEC 62061, UL 508, CSA C22-2 no. 14 EN/IEC 60204-1, EN/ISO 14119	
Product certifications		cULus UL, CSA, CCC, EAC	
Dimensions (w x h x d) in mm	Switch	30 x 87 x 15	30 x 93.5 x 30
	Fixings	Centers: 20/22	Centers: 20/22 or 40.3
Head		Fixed head: 2 positions for insertion of actuating key.	Turret head: 8 positions for insertion of actuating key.
Contact blocks	Safety contacts actuated by the actuating key. Slow break and NC positive opening operation.		
	1 NC + 1 NO break before make 2 NC 2 NC + 1 NO break before make 3 NC	1 NC + 1 NO slow break contacts, break before make or make before break, or snap action 2 NC slow break or snap action 2 NC + 1 NO slow break contacts, break before make, or snap action 1 NC + 2 NO slow break contacts, break before make, or snap action	1 NC + 2 NO break before make 2 NC + 1 NO break before make 3 NC
Degree of protection	IP 67		
Ambient air temperature	For operation	-25...+70 °C	
Connection	Screw terminals (cable entry via cable gland)	Tapped entry for Pg 11, ISO M16 cable gland or tapped 1/2" NPT	
	Pre-cabled	L = 2, 5 or 10 m	-
Type reference	XCSMP	XCSPA	XCSTA
Pages	Please refer to our catalogue "Safety switches XCS range".		

(1) Machine stopping time less than time taken for operator to access hazardous zone.

XCS key-operated safety switches		
All heavy industrial machines with quick rundown time (1)		
Industrial format with or without locking		
With 1 cable entry, without locking	With 1 cable entry and manual locking/unlocking	



Case	Metal		
Features	Without locking of actuating key.	Manual locking and unlocking of actuating key by pushbutton (can be mounted on left or right-hand side of switch head).	Manual locking and unlocking of actuating key by key-operated lock (can be mounted on left or right-hand side of switch head).
Conformity to standards	Products Machine assemblies	EN/IEC 60947-5-1, EN/ISO 13849-1, EN/IEC 62061, UL 508, CSA C22-2 no. 14 EN/IEC 60204-1, EN/ISO 14119	
Product certifications		UL, CSA, CCC, EAC	
Dimensions (w x h x d) in mm	Switch	40 x 113.5 x 44	52 x 113.5 x 44
	Fixings	30 x 60	30 x 60
Head		Turret head: 8 positions for insertion of actuating key.	Turret head: 8 positions for insertion of actuating key.
Contact blocks	Safety contacts actuated by the actuating key. Slow break and NC positive opening operation.		
	1 NC + 2 NO break before make 2 NC + 1 NO break before make 3 NC	1 NC + 2 NO break before make 2 NC + 1 NO break before make 3 NC	1 NC + 2 NO break before make 2 NC + 1 NO break before make 3 NC
Degree of protection	IP 67		
Ambient air temperature	For operation	-25...+70 °C	
Connection	Screw clamp terminals. Tapped entry for Pg 13.5, ISO M20 cable gland or tapped 1/2" NPT	Screw clamp terminals. Tapped entry for Pg 13.5 cable gland, ISO M20 or tapped 1/2" NPT.	
	Pre-cabled	-	-
Type reference	XCSA	XCSB	XCSC
Pages	Please refer to our catalogue "Safety switches XCS range".		

Safety limit switches

XCS range

Switch type	XCS key-operated safety switches, locking and unlocking by solenoid	
Applications	Protection of operators by stopping the machine when the actuating key (attached to machine guard) is withdrawn from the head of the switch. All industrial machines with long rundown time (1)	
Design	Slim format	
	With 3 cable entries	With 3 cable entries



Case	Plastic	Metal
Features	Locking and unlocking of actuating key using a solenoid (either on energization or on de-energization). Manual unlocking (auxiliary release using special tool) of actuating key in abnormal conditions.	Locking and unlocking of actuating key by solenoid (either on energization or on de-energization). Manual unlocking (auxiliary release using key lock) of actuating key in abnormal conditions. 1 Emergency release mushroom head pushbutton (only for XCSLF●●●●4●● and XCSLF●●●●6●●).
Conformity to standards	EN/IEC 60947-5-1, EN/ISO 13849-1, EN/IEC 62061, UL 508 and CSA C22-2 no. 14	
Products	EN/IEC 60204-1, EN/ISO 14119	
Machine assemblies	EN/IEC 60204-1, EN/ISO 14119	
Product certifications	UL, CSA, CCC, EAC	
Dimensions (w x h x d or Ø) in mm	Switch	Centers
	51 x 205 x 43.5	30 x 153.3
Head	Turret head: 8 positions for insertion of actuating key.	
Resistance to forcible withdrawal of the actuator	F _{1max}	3000 N
	F _{Zh}	2300 N
Contact blocks or outputs	Main safety contacts actuated by the actuating key; auxiliary contacts actuated by solenoid. Contact states given with key inserted and solenoid not energized. Slow break and NC positive opening operation	
	Main contacts	1 NC + 1 NO break before make 2 NC 1 NC + 2 NO break before make 2 NC + 1 NO break before make 3 NC
	Auxiliary contacts	1 NC + 1 NO break before make 2 NC 1 NC + 2 NO break before make 2 NC + 1 NO break before make 3 NC
Degree of protection	IP 66/IP 67	
Ambient air temperature	For operation	-25...+60 °C
	For storage	-40...+70 °C
Connection	Terminals	Spring terminals, 3 cable entries. Tapped entry for ISO M20 cable gland or tapped 1/2" NPT.
	Connector	M23 (18 + 1 PE)
Type reference	XCSLE	XCSLF
Pages	Please refer to our catalogue "Safety switches XCS range".	

(1) Machine stopping time greater than time taken for operator to access hazardous zone.

XCS key-operated safety switches, locking and unlocking by solenoid (continued)	
Protection of operators by stopping the machine when the actuating key (attached to machine guard) is withdrawn from the head of the switch. All industrial machines with long rundown time (1)	
Rectangular	
–	With 2 cable entries



Case	Plastic, double insulated	Metal
Features	Locking and unlocking of actuator by solenoid (either on de-energization or on energization). Manual unlocking (auxiliary release using special tool) of actuating key in abnormal conditions.	Locking and unlocking of actuating key by solenoid (either on energization or on de-energization). Manual unlocking (auxiliary release using key lock) of actuating key in abnormal conditions.
Conformity to standards	EN/IEC 60947-5-1, EN/ISO 13849-1, UL 508, CSA C22-2 no. 14, EN/IEC 62061, EN/IEC 60947-1	
Products	EN/IEC 60204-1, EN/ISO 14119	
Machine assemblies	EN/IEC 60204-1, EN/ISO 14119	
Product certifications	UL, CSA, CCC, EAC	UL, CSA, CCC, EAC
Dimensions (w x h x d or Ø) in mm	Switch	Centers
	110 x 93.5 x 33	98 x 146 x 44
	30 x 153.3	88 x 95
Head	Turret head: 8 positions for insertion of actuating key	
Resistance to forcible withdrawal of the actuator	650 N	2600 N
	500 N	2000 N
Contact blocks or outputs	Main safety contacts actuated by the actuating key; auxiliary contacts actuated by solenoid. Slow break and NC positive opening operation	
	1 NC + 1 NO break before make 1 NC + 1 NO make before break 2 NC	1 NC + 2 NO break before make 2 NC + 1 NO break before make 3 NC
	1 NC	1 NC + 1 NO 2 NC
Degree of protection	IP 67	
Ambient air temperature	For operation	-25...+60 °C
	For storage	-40...+70 °C
Connection	Terminals	Screw clamp terminals. 2 tapped entries for Pg 13.5 ISO M20 cable gland or tapped 1/2" NPT.
	Connector	–
Type reference	XCSTE	XCSE
Pages	Please refer to our catalogue "Safety switches XCS range".	

Safety limit switches

XCS range

Switch type	XCSR contactless RFID safety switches		
Applications	Highly tamper-proof protection of operators by stopping the machine when the gate is opened (transfer lines, assembly lines, automated equipment, machine tools, etc.). All light industrial machines fitted with access gates with imprecise guidance and/or subjected to frequent washing, shocks and vibrations. This Safety sensor is suitable for machine with low inertia.		
Design	Miniature rectangular format	Compact rectangular format	Cylindrical format
	Unique pairing or 2 new pairings possible		



Case	Thermoplastic housing (Valox TM)		
Features	Contactless system composed of a microprocessor-controlled switch and a transponder factory-paired with a unique code. Multiposition sensor transponder.		
Assured operating sensing distance (Sao)	15 mm		
Assured release distance (Sar)	35 mm		
Type of switch	Standalone RFID switch	Daisy-chain RFID switch for direct series connection	Single RFID switch for point-to-point connection
Operating mode	Possible functioning without association with a safety control unit (Integrated External Device Monitoring (EDM) and Start/Restart function)		
	Functioning in combination with a safety control unit PL=e/Cat4 - SIL 3		
Conformity to standards	EN/IEC 60947-5-2, EN/IEC 60947-5-3, UL 508, CSA C22.2 SIL 3 (IEC 61508), SILCL 3 (IEC 62061), PLe-Cat. 4 (EN ISO 13849-1)		
Products	EN/IEC 60204-1, EN/ISO 14119		
Machine assemblies	Based on ISO 15693		
RFID protocol	CE, cULus, TÜV, FCC, EAC, IC, RCM, E2, ECOLAB		
Product certifications	CE, cULus, TÜV, FCC, EAC, IC, RCM, E2, ECOLAB		
Dimensions (w x h x d or Ø) in mm	Switch	30 x 108.3 x 15	30 x 118.6 x 5
	Transponder	50 x 15 x 15	30 x 108.3 x 15
	Fixings	Centers	
		Reader	74...78
		Transponder	30...34
Contact blocks or outputs	Safety output	2 OSSDs (Safety outputs PNP NO). OSSDs are in the ON state when the gate is closed	
	Contact states given in presence of magnet	Maximum current 400mA	Maximum current 200 mA
		-	
		-	
Degree of protection	Conforming to EN/IEC 60529	IP 65, IP 66, IP 67	
	Conforming to DIN 40050	IP 69K	
Ambient air temperature	For operation	-25...+70 °C	
	For storage	-40...+85 °C	
Connection	Pre-cabled	-	
	Connector	-	
	Conforming to EN/IEC 60947-5-2-A3 and EN/IEC 61076	1 M12 8-pin connector (A coding)	2 M12 5-pin connector (A coding)
			1 M12 5-pin connector (A coding)
Type reference		XCSRC•1•M12	XCSRC•2M12 XCSRC•0M12
Pages	Please refer to our catalogue "Safety switches XCS range".		

XCS safety coded magnetic safety switches for detection without contact		
Protection of operators by stopping the machine when the gate is opened. All light industrial machines fitted with access gates with imprecise guidance and/or subjected to frequent washing. This Safety sensor is suitable for machine with low inertia.		
Miniature rectangular format	Compact rectangular format	Cylindrical format
Pre-cabled or M8 connector on flying lead	Pre-cabled or M12 connector on flying lead	



Case	Plastic	
Features	3 approach directions	
	1 approach direction	
5 mm	8 mm	
15 mm	20 mm	
-	-	
-	-	
Conformity to standards	EN/IEC 60947-5-1, EN/ISO 13849-1, EN/IEC 62061, UL 508 and CSA C22-2 no. 14	
Products	EN/IEC 60204-1, EN/ISO 14119	
Machine assemblies	-	
RFID protocol	-	
Product certifications	UL, CSA, EAC, ECOLAB	
Dimensions (w x h x d or Ø) in mm	16 x 51 x 7	25 x 88 x 13
	Ø 30, L 38.5	
	16	78
	-	
	-	
Contact blocks or outputs	1 NC + 1 NO staggered 2 NC staggered Independent Reed-type contacts operated by coded magnet.	1 NC + 1 NO staggered 2 NC staggered 2 NC + 1 NO (NC staggered) 1 NC + 2 NO (NO staggered)
	To be used with safety control units.	
	IP 66 and IP 67 for pre-cabled version, IP 67 for connector on flying lead version	
	-	
	-	
Ambient air temperature	-25...+85 °C	
	-	
Connection	L = 2, 5 or 10 m	
	M8, on 0.15 m flying lead	M12, on 0.15 m flying lead
	-	
Type reference	XCSDMC	XCSDMP XCSDMR
Pages	Please refer to our catalogue "Safety switches XCS range".	

Limit switches

XC range

Variable composition: simplicity through innovation

Principle

Variable composition principle

■ The Miniature design XCMD and XCMV, and Compact design XCKD, XCKP and XCKT ranges benefit from the variable composition concept.

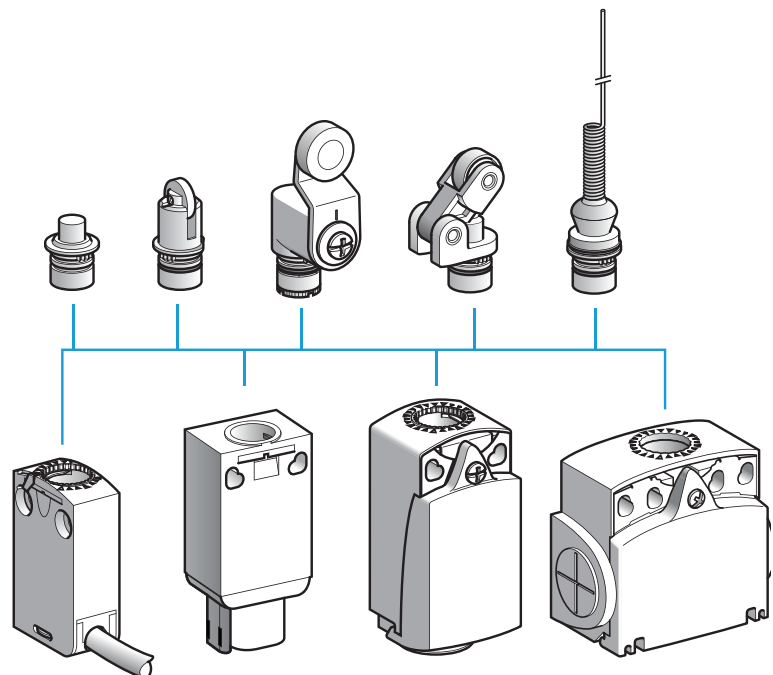
■ A worldwide detection first for improving productivity.

A complete offer for resolving the most commonly encountered detection problems:

- product selection simplified,
- product availability simplified,
- installation and setting-up simplified,
- maintenance simplified.

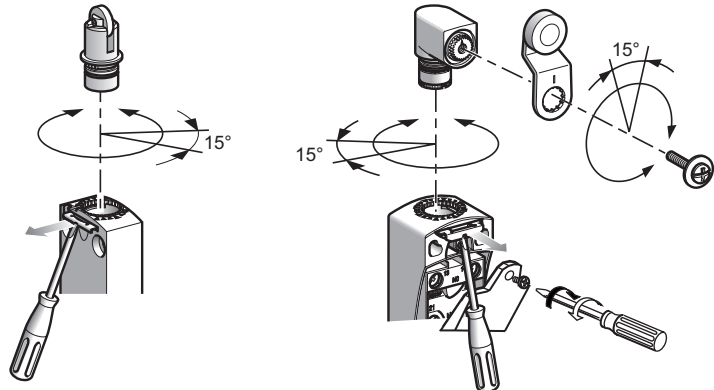
Heads

■ A single metal operating head type for the Miniature design XCMD and XCMV, and Compact design XCKD, XCKP and XCKT ranges.



■ Interchanging of heads achieved by simple operation of forked metal latch.

■ Adjustable in 3 planes:



All the heads can be adjusted in 15° steps throughout 360°, in relation to the body.

All the levers can be adjusted in 15° steps throughout 360°, in relation to the horizontal axis of the head.

Limit switches

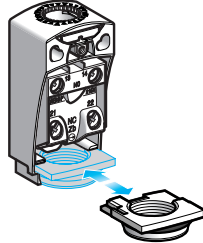
XC range

Variable composition: simplicity through innovation

Principle (continued)

Cable entries

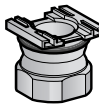
- The cable entries for Compact design XCKD and XCKP switches enable:
 - simple cabling due to unrestricted access to contacts,



- simple adaptation to the various worldwide markets:
 - 6 models are available:



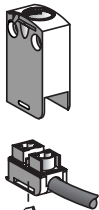
- ISO M16 x 1.5
- Pg 11



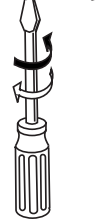
- ISO M20 x 1.5
- Pg 13.5
- 1/2" NPT
- PF 1/2 (G 1/2)

Each model is available in metal or plastic, respectively suited to Compact design XCKD and XCKP.

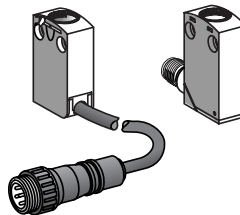
Connection components



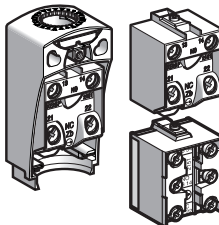
- The miniature XCMD range allows interchanging of these pre-cabled connection components:
 - a 1/4 of a turn is all that is required for removing the connection component on XCMD bodies with 2 and 3 contacts,
 - 6 alternative cable lengths are available as standard.



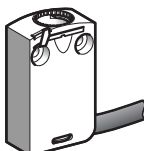
- The miniature XCMD range also includes an integral or remote connector solution.



Contact block or bodies with contact



- 2 and 3 snap action and slow break contact blocks, with positive opening operation, are interchangeable between the Compact design XCKD and XCKP and Classic XCKJ, XCKS, XCKM and XCKL ranges.



- For the miniature design XCMD range, the contacts are an integral part of the body:
 - 2 and 3 snap action and slow break contacts, with positive opening operation, and interchangeable connection component,
 - 4 snap action contacts, with positive opening operation, with monolithic body and connection components.

Presentation

Electromechanical detection

Limit switches are used in all automated installations and also in a wide variety of applications, due to the numerous advantages inherent to their technology. They transmit data to the logic processing system regarding:

- presence/absence,
- passing,
- positioning,
- end of travel.

Simplicity of installation, advantages

■ From an electrical viewpoint

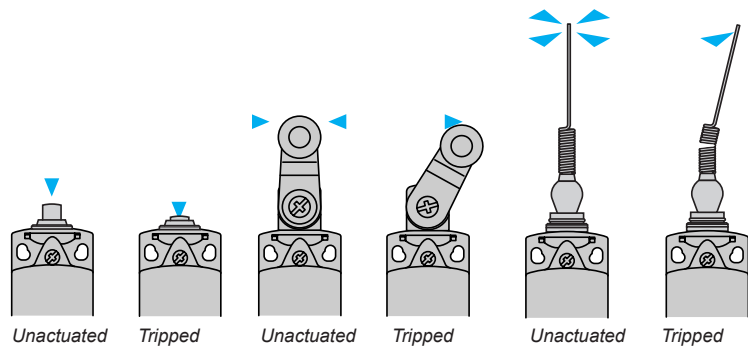
- galvanic separation of circuits,
- models suitable for low power switching combined with good electrical durability,
- very good short-circuit withstand in coordination with appropriate fuses,
- total immunity to electromagnetic interference,
- high rated operational voltage.

■ From a mechanical viewpoint

- NC contacts with positive opening operation,
- high resistance to the different ambient conditions encountered in industry (standard tests and specific tests under laboratory conditions),
- high repeat accuracy, up to 0.01 mm on the tripping points.

Detection movements

- Linear movement (plunger)
- Rotary movement (lever)
- Multi-directional movement



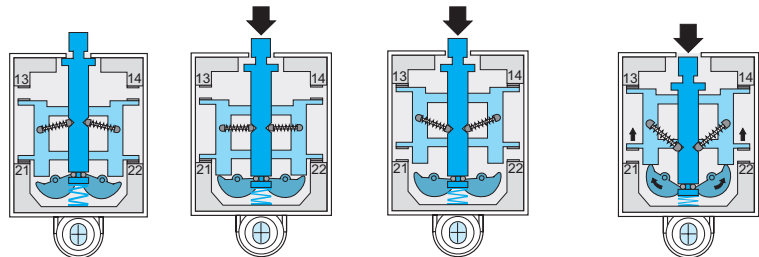
Terminology

Rated value of a quantity	<ul style="list-style-type: none"> ■ This replaces the term “nominal value”. ■ It is the fixed value for a specific function.
Utilisation categories:	<ul style="list-style-type: none"> ■ AC-15 replaces AC-11: control of an electromagnet on AC, test 10 Ie/Ie. ■ AC-12: control of a resistive load on AC or static load isolated by opto-coupler. ■ DC-13 replaces DC-11: control of an electromagnet on DC, test Ie/Ie.
Positive opening travel	<ul style="list-style-type: none"> ■ Minimum travel from the initial movement of contact actuator to the position required to accomplish positive opening operation.
Positive opening force	<ul style="list-style-type: none"> ■ The force required on the contact actuator to accomplish positive opening operation.
Switching capacity	<ul style="list-style-type: none"> ■ I_{th} is no longer a rated value but a conventional current used for heating tests. <p>Example: for category A300 the corresponding operational current, I_e maximum, is 6 A-120 V or 3 A-240 V, the equivalent I_{th} being 10 A.</p>
Positive opening operation	<ul style="list-style-type: none"> ■ A limit switch complies to this specification when all the closed contact elements of the switch can be changed, with certainty, to the open position (no flexible link between the moving contacts and the operator of the switch, to which an actuating force is applied). ■ All limit switches incorporating either a slow break contact block or a snap action NC + NO (form Zb), NC + NO + NO, NC + NC + NO, NC + NC + NO + NO contact block are positive opening operation, in complete conformity with standard IEC 60947-5-1 Appendix K.

Contact blocks

Snap action contacts

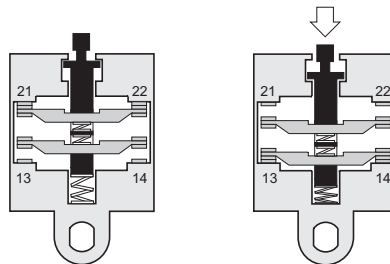
- Snap action contacts are characterised by different tripping and reset points (differential travel).
- The displacement speed of the moving contacts is not related to the speed of the operator.
- This feature ensures satisfactory electrical performance in applications involving low speed actuators.



Unactuated state Approach travel Contact change of state Positive opening

Slow break contacts

- Slow break contacts are characterised by identical tripping and resetting points.
 - The displacement speed of the moving contacts is equal, or proportional, to the speed of the operator (which must not be less than 0.1 m/s = 6 m/minute).
- The opening distance is also dependent on the distance travelled by the operator.



Electrical durability for normal loads

- Normally, for inductive loads, the current value is less than 0.1 A (sealed), i.e. values of 3 to 40 VA sealed and 30 to 1000 VA inrush, depending on the voltage.

For this type of application the electrical durability will exceed 10 million operating cycles.

Application example: XCKJ161 + LC1D12●●●● (7 VA sealed, 70 VA inrush).

Electrical durability = 10 million operating cycles.

Switching capacity

- 1 Normal industrial PLC input type 1 (PLC: industrial programmable logic controllers)
- 2 Normal industrial PLC input type 2

3 Switching capacity conforming to IEC 60947-5-5, utilisation category AC-15, DC-13

A300	240 V	3 A	B300	240 V	1.5 A
------	-------	-----	------	-------	-------

Q300	250 V	0.27 A	R300	250 V	0.13 A
------	-------	--------	------	-------	--------

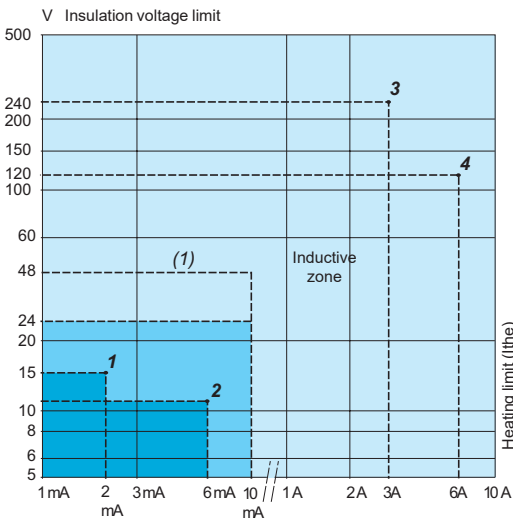
4 Switching capacity conforming to IEC 60947-5-1, utilisation category AC-15, DC-13

A300	120 V	6 A	B300	120 V	3 A
------	-------	-----	------	-------	-----

Q300	125 V	0.55 A	R300	125 V	0.27 A
------	-------	--------	------	-------	--------

Electrical durability for small loads

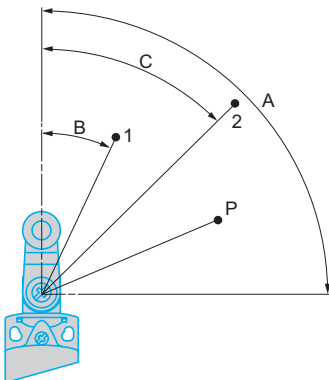
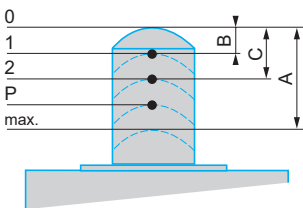
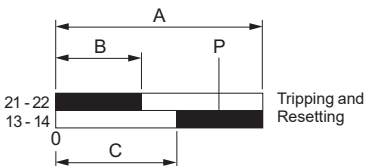
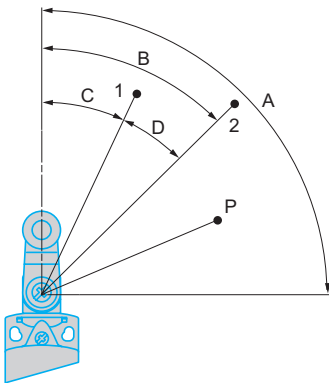
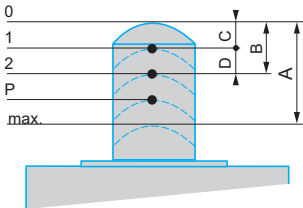
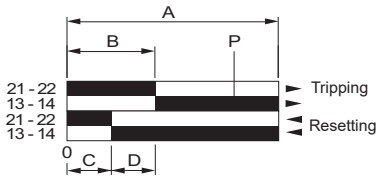
- The use of limit switches with programmable controllers is becoming more common.
- With small loads, limit switches offer the following levels of reliability:
 - failure rate of less than 1 for 100 million operating cycles using snap action contacts (contacts XE2SP),
 - failure rate of less than 1 for 20 million operating cycles using slow break contacts (contacts XE●NP and XE3SP).
 - failure rate of less than 1 for 5 million operating cycles using contacts XCMD.



		Range of use
Standard contacts	XE2SP2151, P3151	[Light Blue]
	XE2NP●●●●	[Light Blue]
Continuous service (frequent switching)	Contacts of XCMD	[Light Blue]
	XE3●P●●●●	[Light Blue]
Gold flashed contacts on resistive load	Occasional service	[Light Blue]
	Infrequent switching, ≤ 1 operating cycle/day, and/or corrosive atmosphere	[Light Blue] (1)

(1) Usable up to 48 V/10 mA.

Contact blocks (continued)



Functional diagrams of snap action contacts

■ Example: NC + NO

- A - Maximum travel of operator in millimetres or degrees.
- B - Tripping travel of contact.
- C - Resetting travel of contact.
- D - Differential travel = B - C.
- P - Point from which positive opening is assured.

□ Linear movement (plunger)

- 1 - Resetting point of contact.
- 2 - Tripping point of contact.
- A - Maximum travel of operator in millimetres.
- B - Tripping travel of contact.
- C - Resetting travel of contact.
- D - Differential travel = B - C.
- P - Point from which positive opening is assured.

□ Rotary movement (lever)

- 1 - Resetting point of contact.
- 2 - Tripping point of contact.
- A - Maximum travel of operator in degrees.
- B - Tripping travel of contact.
- C - Resetting travel of contact.
- D - Differential travel = B - C.
- P - Point from which positive opening is assured.

Functional diagrams of slow break contacts

■ Example: NC + NO break before make

- A - Maximum travel of operator in millimetres or degrees.
- B - Tripping and resetting travel of contact 21-22.
- C - Tripping and resetting travel of contact 13-14.
- P - Point from which positive opening is assured.

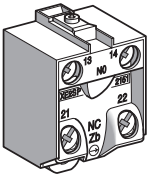
□ Linear movement (plunger)

- 1 - Tripping and resetting points of contact 21-22.
- 2 - Tripping and resetting points of contact 13-14.
- A - Maximum travel of operator in millimetres.
- B - Tripping and resetting travel of contact 21-22.
- C - Tripping and resetting travel of contact 13-14.
- P - Positive opening point.

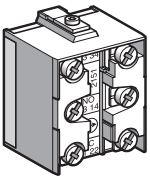
□ Rotary movement (lever)

- 1 - Tripping and resetting points of contact 21-22.
- 2 - Tripping and resetting points of contact 13-14.
- A - Maximum travel of operator in degrees.
- B - Tripping and resetting travel of contact 21-22.
- C - Tripping and resetting travel of contact 13-14.
- P - Positive opening point.

Contact blocks (continued)



XE2•P screw clamp terminal connections

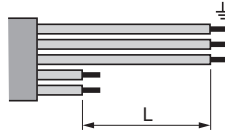


XE3•P screw clamp terminal connections

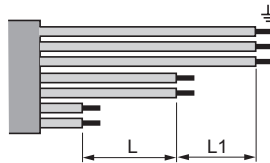
Mounting

Contact connections

- Tightening torque:
 - minimum tightening torque ensuring the nominal characteristics of the contact: 0.8 N.m,
 - maximum tightening torque without damage to the terminals: 1.2 N.m for XE2•P, 1 N.m for XE3•P.
- Connecting cable: cable preparation lengths:
 - for XE2•P, L = 22 mm,
 - for XE2•P3•••, L = 45 mm,

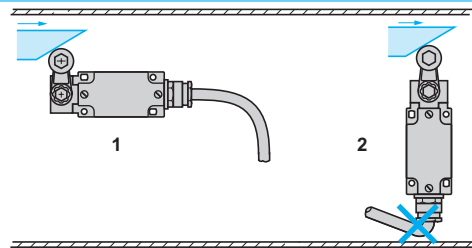


- for XE3•P, L = 14 mm, L1 = 11 mm.



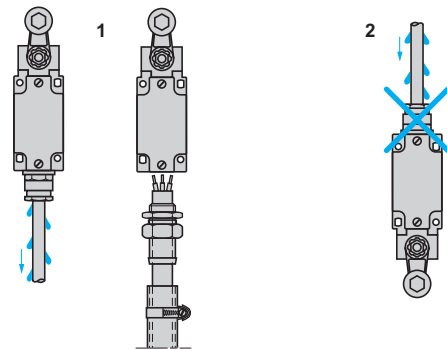
Sweep of connecting cable

- 1 Recommended
- 2 To be avoided



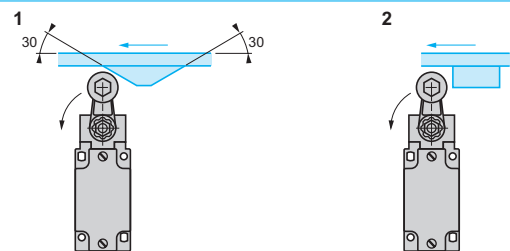
Position of cable gland

- 1 Recommended
- 2 To be avoided



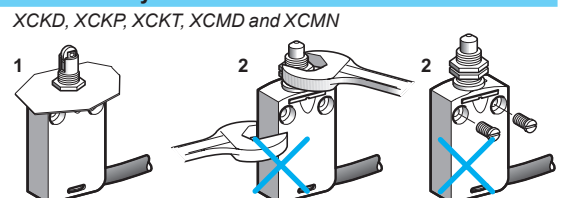
Type of cam

- 1 Recommended
- 2 To be avoided



Mounting and fixing limit switches by the head

- 1 Recommended
- 2 Forbidden



XCKD, XCKP, XCKT, XCMD and XCMN

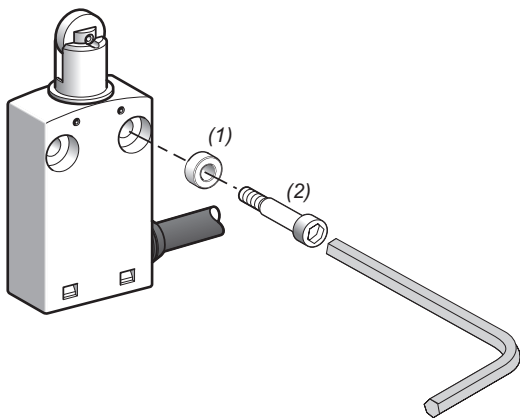
Setting-up

Tightening torque

- The minimum torque is that required to ensure correct operation of the switch.
- The maximum torque is the value which, if exceeded, will damage the switch.

Range	Item	Torque (N.m)		Torque (lb-in)	
		Min.	Max.	Min.	Max.
Compact design XCKD, XCKP, XCKT	Cover	0.8	1.2	7.08	10.62
	Fixing screw for lever on rotary head	1	1.5	8.85	13.27
Miniature design XCMD, XCMN, XCMV	–	–	–	–	–
	Fixing screw for lever on rotary head	1	1.5	8.85	13.27
Compact design XCKN	Cover	0.8	1.2	7.08	10.62
	Fixing screw for lever on rotary head	1	1.5	8.85	13.27
Classic design XCKJ	Cover	1	1.5	8.85	13.27
	Fixing nut for lever on rotary head	1	1.5	8.85	13.27
Classic design XCKS	Cover	0.8	1.2	7.08	10.62
	Fixing nut for lever on rotary head ZCKD	1	1.5	8.85	13.27
	Fixing nut for lever on rotary head XCKS	0.8	1.2	7.08	10.62
	Fixing head on body	0.8	1.2	7.08	10.62
Classic design XCKM, XCKML, XCKL	Cover	0.8	1.2	7.08	10.62
	Fixing nut for lever on rotary head	1	1.5	8.85	13.27

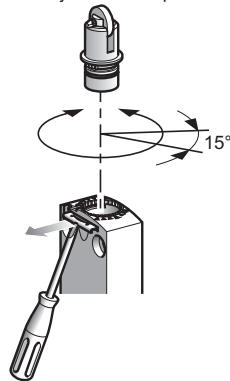
XCMN



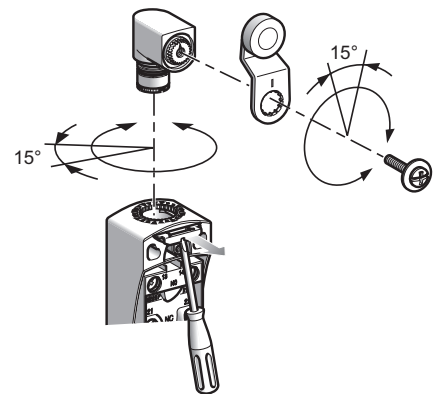
(1) 2 spacers supplied with the XCMN switch.
(2) 2 screws Ø 4mm (not included).

XCKD, XCKP, XCKT, XCMD, XCMV

- Adjustable in 3 planes:



All the heads can be adjusted in 15° steps throughout 360°, in relation to the body.

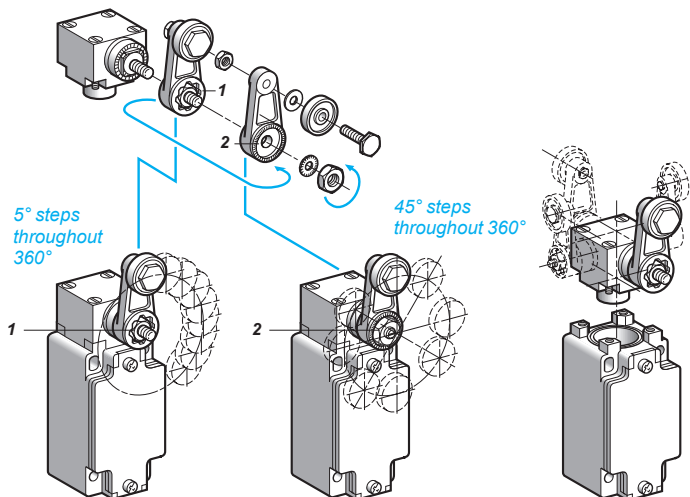


All the levers can be adjusted in 15° steps throughout 360°, in relation to the horizontal axis of the head.

XCKJ

- Adjustable throughout 360° in 5° steps, or in 45° steps by reversing the lever or its mounting.

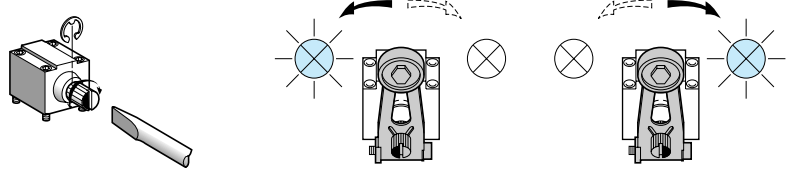
- 1 Reversed $\alpha = 5^\circ$
- 2 Forward $\alpha = 45^\circ$



Setting-up (continued)

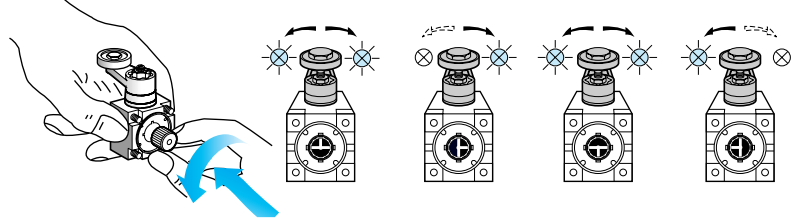
Direction of actuation programming

■ XC2J



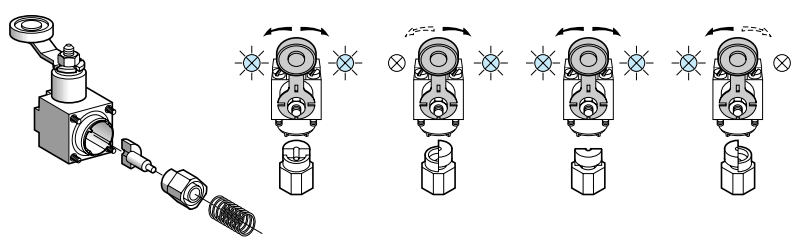
Head ZC2JE05

■ XCKJ



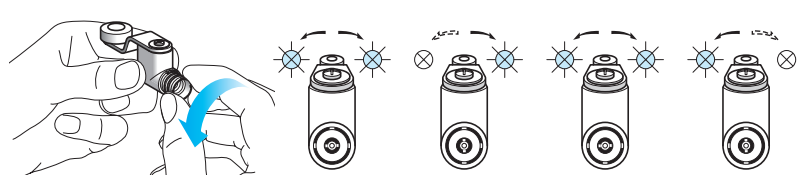
Head ZCKE05

■ XCKS



Head ZCKD05

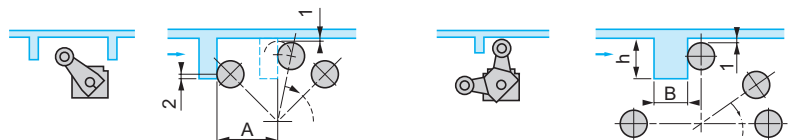
■ XCKD, XCKP, XCKT and XCMD



Head ZCE05

Specific cams for heads ZCKE09 and ZC2JE09

- 1 0.5 mm min.
- 2 2 mm min.



A = length of lever + 11 mm
ZCKE09: $13 < h < 18$ mm and $B = 12$ mm max.
ZC2JE09: $14 < h < 24$ mm and $B = 6$ mm max.

Reminder of the standards

The majority of Telemecanique Sensors products comply to national standards (for example French NF C standards, German DIN standards), European standards (for example CENELEC) or international standards (for example IEC). These standards rigidly stipulate the characteristic requirements of the designated products (for example IEC 60947 relating to low voltage switchgear and control gear). These products, when correctly used, enable the production of control equipment assemblies, machine control equipment or installations conforming to their own specific standards (for example IEC 60204 for the electrical equipment of industrial machines).

IEC 60947-5-1

Insulation coordination (and dielectric strength)

- The standard IEC 60664 defines 4 categories of prospective transient overvoltages. It is important for the user to select control circuit components which are able to withstand these overvoltages. To these ends, the manufacturer states the rated impulse withstand voltage (U imp) applicable to the product.

Terminal connections

- The cabling capacity, mechanical robustness and durability of the terminals, as well as the ability to resist loosening, are verified by standardised tests.
- Terminal reference marking conforms to standard IEC 60947-5-1 Appendix M.

Switching capacity

- With maximum electrical load. A single designation (A300 for example) enables indication of the contact block characteristics related to its utilisation category.

Positive opening operation (IEC 60947-5-1 Appendix K)

- For contacts used in safety applications (end of travel, emergency stop device, etc.) the assurance of positive opening is required (see IEC 60204, EN 60204) after each test, the opening of the contact being verified by testing with an impulse voltage (2500 V).

Electrical symbols for contacts



- Form Za, the 2 contacts (NO + NC) are the same polarity.



- Form Zb, the 2 contacts (NO + NC) are electrically separate.

Symbol for positive opening



- Simplified version



- Complete symbol

CENELEC EN 50047

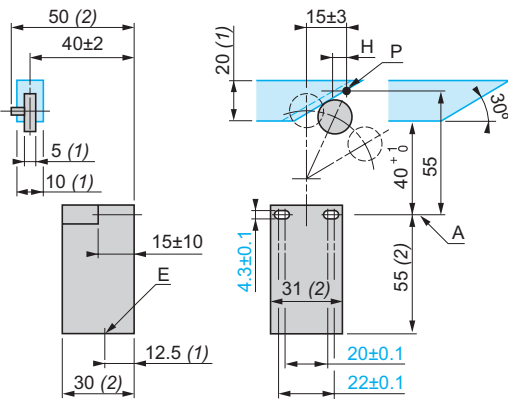
The European standards organisation CENELEC, which has 14 member countries, has defined in this standard the first type of limit switch.

It defines 4 variants of devices (forms A, B, C, E).
Limit switches XCKP, XCKD and XCKT conform to standard EN 50047.

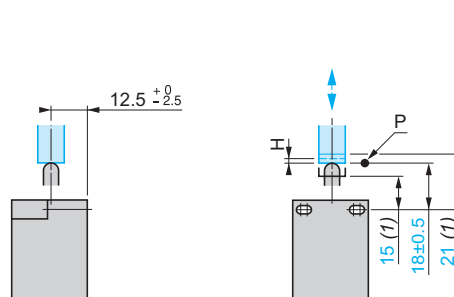
- (1) Minimum value
- (2) Maximum value

- A: reference axis
- H: differential travel
- P: tripping point
- E: cable entry

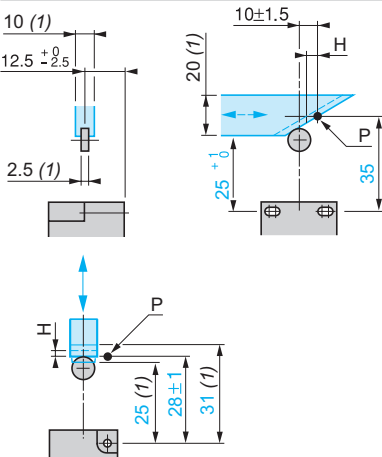
Form A, with roller lever



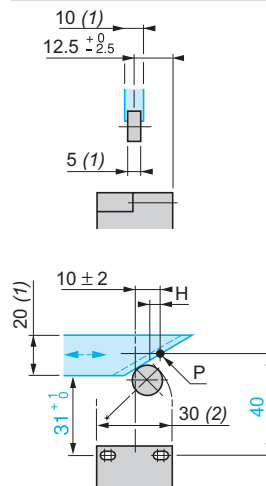
Form B, with end plunger (rounded)



Form C, with end roller plunger



Form E, with roller lever for 1 direction of actuation



Reminder of the standards (continued)

CENELEC EN 50041

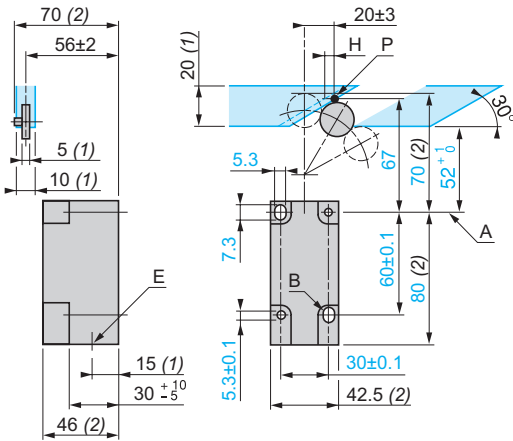
The European standards organisation CENELEC, which has 14 member countries, has defined in this standard the second type of limit switch.

It defines 6 variants of devices (forms A, B, C, D, F, G).
Limit switches XCKJ and XCKS conform to standard EN 50041.

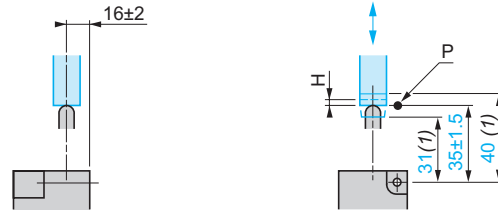
(1) Minimum value
(2) Maximum value

A: reference axis
B: optional elongated holes
H: differential travel
P: tripping point
E: cable entry
Za: tripping zone
Sa: tripping threshold

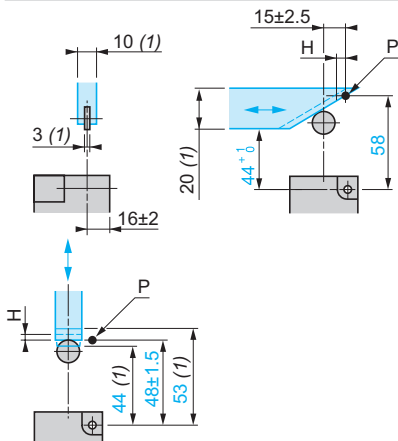
Form A, with roller lever



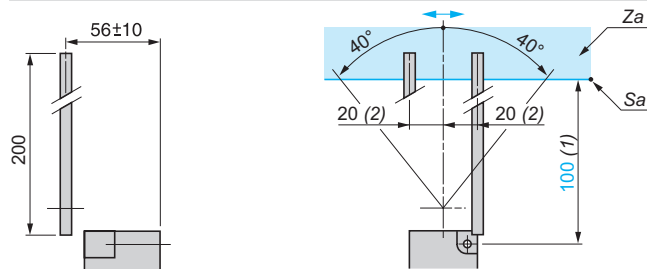
Form B, with end plunger (rounded)



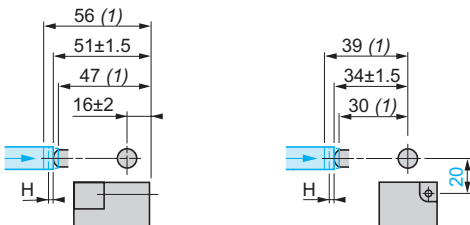
Form C, with end roller plunger



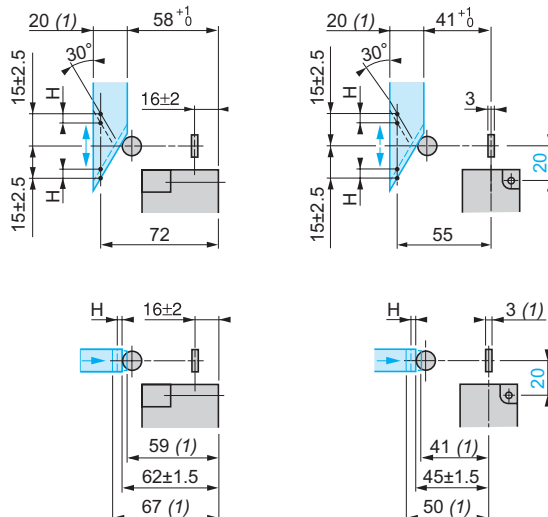
Form D, with rod lever



Form F, with side plunger (rounded)



Form G, with side roller plunger



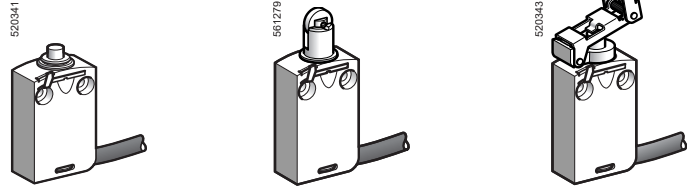
Limit switches

XC Standard range

Miniature design, metal, XCMD

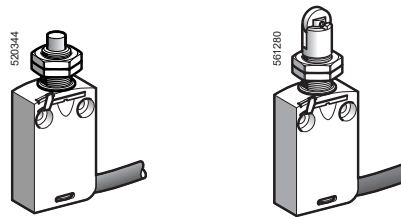
■ **XCMD**
pre-cabled

□ With head for linear movement (plunger). Fixing by the body



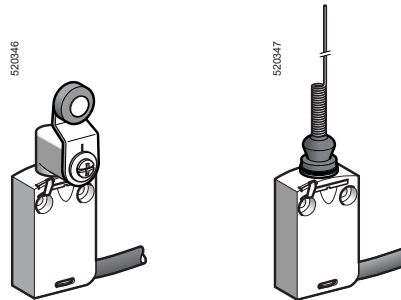
Complete switches: page 28. Variable composition: page 30

□ With head for linear movement (plunger). Fixing by the head



Complete switches: page 28. Variable composition: page 30

□ With head for rotary movement (lever) or multi-directional. Fixing by the body

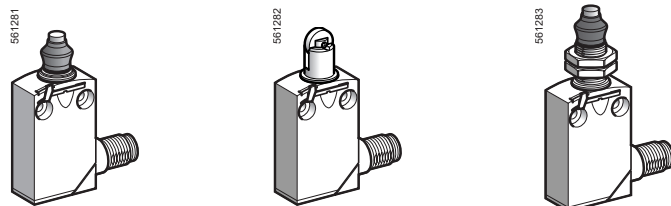


Complete switches: page 29. Variable composition: page 31

■ **XCMD**
with connector

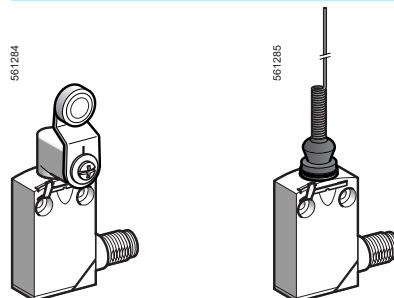
□ With head for linear movement (plunger)
Fixing by the body

Fixing by the head



Complete switches: page 36. Variable composition: page 38

□ With head for rotary movement (lever) or multi-directional. Fixing by the body



Complete switches: page 37. Variable composition: page 39

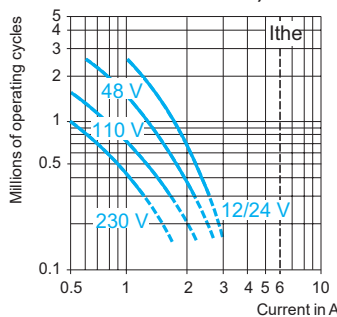
Environment characteristics		
Conformity to standards	Products	CE, IEC 60947-5-1, EN 60947-5-1, UL 508, CSA C22-2 n° 14, EAC
	Machine assemblies	IEC 60204-1, EN 60204-1
Product certifications		UL, CSA (except products with special cables), CCC
Protective treatment		Standard version: "TC"
Ambient air temperature	For operation	- 25...+ 70°C (- 40...+ 70 °C with ZCE106, ZCE026 and ZCE016 heads)
	For storage	- 40...+ 70°C
Vibration resistance		XCMD snap action: 5 gn. XCMD slow break: 25 gn (10...500 Hz) conforming to IEC 60068-2-6
Shock resistance		25 gn (18 ms) conforming to IEC 60068-2-27 except head ZCE08: 15 gn (18 ms)
Electric shock protection		Class I conforming to IEC 61140 and NF C 20-030
Degree of protection		IP 66, IP 67 and IP 68 (1) conforming to IEC 60529; IK 06 conforming to IEC 62262
Materials		Bodies: Zamak, heads: Zamak
Repeat accuracy		0.05 mm on the tripping points, with 1 million operations for head with end plunger

(1) Protection against prolonged immersion: the test conditions are subject to agreement between the manufacturer and the user.

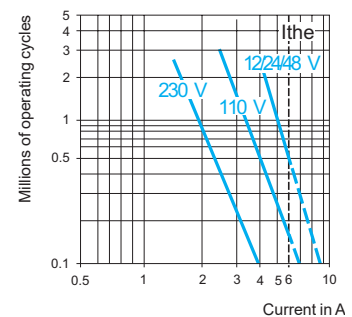
Contact block characteristics		
Rated operational characteristics	Switches with 2 contacts	~ AC-15; B300 (Ue = 240 V, Ie = 1.5 A) --- DC-13; R300 (Ue = 250 V, Ie = 0.1 A), conforming to IEC 60947-5-1 Appendix A, EN 60947-5-1
	Switches with 3 and 4 contacts	~ AC-15; C300 (Ue = 240 V, Ie = 0.75 A) --- DC-13; R300 (Ue = 250 V, Ie = 0.1 A), conforming to IEC 60947-5-1 Appendix A, EN 60947-5-1
	Pre-cabled switches	Ithe = 6 A for 2 contacts, 4 A for 3 contacts, 3 A for 4 contacts
	Switches with M12, 4-pin connector	Ui = 250 V, Ie = 3 A maximum, Ithe = 3 A
	Switches with M12, 5-pin connector	Ui = 60 V, Ie = 4 A maximum, Ithe = 4 A
	Switches with 7/8"-16UN, 5-pin connector	Ui = 250 V, Ie = 6 A maximum, Ithe = 6 A
Rated insulation voltage		Ui = 400 V degree of pollution 3 conforming to IEC 60947-5-1 Ui = 300 V conforming to UL 508, CSA C22-2 n° 14
Rated impulse withstand voltage		U imp = 4 kV conforming to IEC 60947-1, IEC 60664
Positive operation (depending on model)		NC contacts with positive opening operation conforming to IEC 60947-5-1 Appendix K, EN 60947-5-1
Resistance across terminals		≤ 25 mΩ conforming to IEC 60255-7 category 3
Short-circuit protection		6 A cartridge fuse type gG (gl)
Minimum actuation speed (for head with end plunger)		Snap action contact: 0.01 m/minute, slow break contact: 6 m/minute
Electrical durability		<ul style="list-style-type: none"> ■ Conforming to IEC 60947-5-1 Appendix C ■ Utilisation categories AC-15 and DC-13 ■ Maximum operating rate: 3600 operating cycles/hour ■ Load factor: 0.5

AC supply
50/60 Hz ~
mm inductive circuit

XCMD snap action (NC + NO, NC + NC, NC + NC + NO, NC + NC + NO + NO contacts)



XCMD slow break (NC + NO, NC + NC + NO contacts)



DC supply ---

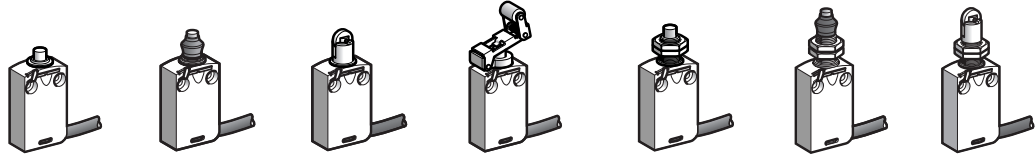
Power broken in W for 5 million operating cycles				
Voltage	V	24	48	120
mm	W	3	2	1

Power broken in W for 5 million operating cycles				
Voltage	V	24	48	120
mm	W	4	3	3

Limit switches

XC Standard range
Miniature design, metal, XCMD
Complete units
Pre-cabled

Type of head	Plunger (fixing by the body)	Plunger (fixing by the head)
--------------	------------------------------	------------------------------



Type of operator	Metal end plunger	Metal end plunger with elastomer boot (1)	Steel roller plunger	Retractable steel roller lever plunger	M12 with metal end plunger	M16 with metal end plunger with elastomer boot (1)	M12 with steel roller plunger
------------------	-------------------	---	----------------------	--	----------------------------	--	-------------------------------

References

2-pole NC + NO snap action 	XCMD2110L1 	XCMD2111L1 	XCMD2102L1 	XCMD2124L1 	XCMD21F0L1 	XCMD21G1L1 	XCMD21F2L1
	2-pole NC + NO break before make, slow break 	XCMD2510L1 	XCMD2511L1 	XCMD2502L1 	XCMD2524L1 	XCMD25F0L1 	XCMD25G1L1
Weight (kg)	0.180	0.180	0.185	0.200	0.195	0.220	0.205
Contact operation			(A) = cam displacement (P) = positive opening point				

Complementary characteristics not shown under general characteristics (see page 27)

Switch actuation	On end	By 30° cam		On end	By 30° cam	
Type of actuation						
Maximum actuation speed	0.5 m/s				0.1 m/s	
Mechanical durability	10 million operating cycles					
Minimum force or torque	For tripping	8.5 N	7 N	2.5 N	8.5 N	7 N
	For positive opening	42.5 N	35 N	12.5 N	42.5 N	35 N
Cabling	PvR cable, 5 x 0.75 mm ² , length 1 m					

(1) Nitrile for indoor use

Limit switches

XC Standard range
Miniature design, metal, XCMD
Complete units
Pre-cabled

Type of head	Rotary (fixing by the body)				Multi-directional

Type of operator	Thermoplastic roller lever	Steel roller lever	Roller lever with ball bearing mounted roller	Variable length thermoplastic roller lever	"Cat's whisker" (1)
------------------	----------------------------	--------------------	---	--	---------------------

References					
2-pole NC + NO snap action 	XCMD2115L1 	XCMD2116L1 	XCMD2117L1 	XCMD2145L1 	XCMD2106L1
	2-pole NC + NO break before make, slow break 	XCMD2515L1 	XCMD2516L1 	XCMD2517L1 	XCMD2545L1
Weight (kg)		0.220	0.225	0.220	0.230
Contact operation			(A) = cam displacement (P) = positive opening point		

Complementary characteristics not shown under general characteristics (see page 27)		
Switch actuation	By 30° cam	
Type of actuation		
Maximum actuation speed	1.5 m/s	1 m/s
Mechanical durability	10 million operating cycles	5
Minimum force or torque	For tripping	0.1 N.m
	For positive opening	0.5 N.m
Cabling	PvR cable, 5 x 0.75 mm ² , length 1 m	

(1) Value taken with actuation by moving part at 100 mm from the fixing.

Limit switches

XC Standard range
Miniature design, metal, XCMD
Modular units
Pre-cabled

Type of head	Plunger (fixing by the body)				Plunger (fixing by the head)		
Type of operator	Metal end plunger	Metal end plunger with elastomer boot (1)	Steel roller plunger	Retractable steel roller lever plunger	M12 with metal end plunger	M16 with metal end plunger with elastomer boot (1)	M12 with steel roller plunger

References (combined with removable terminal block)							
2-pole NC + NC snap action 	ZCMD29L1 + ZCE10	ZCMD29L1 + ZCE11	ZCMD29L1 + ZCE02	ZCMD29L1 + ZCE24	ZCMD29L1 + ZCEF0	ZCMD29L1 + ZCEG1	ZCMD29L1 + ZCEF2
3-pole NC + NC + NO snap action 	ZCMD39L1 + ZCE10	ZCMD39L1 + ZCE11	ZCMD39L1 + ZCE02	ZCMD39L1 + ZCE24	ZCMD39L1 + ZCEF0	ZCMD39L1 + ZCEG1	ZCMD39L1 + ZCEF2
3-pole NC + NC + NO break before make, slow break 	ZCMD29L1 + ZCE10	ZCMD37L1 + ZCE11	ZCMD37L1 + ZCE02	ZCMD37L1 + ZCE24	ZCMD37L1 + ZCEF0	ZCMD37L1 + ZCEG1	ZCMD37L1 + ZCEF2
Weight (kg)	0.180	0.180	0.185	0.200	0.195	0.220	0.205
4-pole 2 NC + 2 NO snap action 	ZCMD4DL1 + ZCE10	ZCMD4DL1 + ZCE11	ZCMD4DL1 + ZCE02	ZCMD4DL1 + ZCE24	ZCMD4DL1 + ZCEF0	ZCMD4DL1 + ZCEG1	ZCMD4DL1 + ZCEF2
Weight (kg)	0.160	0.160	0.165	0.180	0.175	0.200	0.185

References (combined with fixed terminal block)							
4-pole 2 NC + 2 NO snap action 	ZCMD41L1 + ZCE10	ZCMD41L1 + ZCE11	ZCMD41L1 + ZCE02	ZCMD41L1 + ZCE24	ZCMD41L1 + ZCEF0	ZCMD41L1 + ZCEG1	ZCMD41L1 + ZCEF2
Weight (kg)	0.160	0.160	0.165	0.180	0.175	0.200	0.185
Contact operation	closed open		(A) = cam displacement (P) = positive opening point		NC contact with positive opening operation		

Complementary characteristics not shown under general characteristics (see page 27)					
Switch actuation	On end		By 30° cam		By 30° cam
Type of actuation					
Maximum actuation speed	0.5 m/s				0.1m/s
Mechanical durability	10 million operating cycles				
Minimum force or torque	For tripping	8.5 N	7 N	2.5 N	8.5 N
	For positive opening	42.5 N	35 N	12.5 N	42.5 N
Cabling	PvR cable, 5 x 0.75 mm ² length 1 m for 2-pole contact versions, 7 x 0.5 mm ² length 1 m for 3-pole contact versions, 9 x 0.34 mm ² length 1 m for 4-pole contact versions. For other lengths, see page 48.				

(1) Nitrile for indoor use

Limit switches

XC Standard range
Miniature design, metal, XCMD
Modular units
Pre-cabled

Type of head	Rotary (fixing by the body)				Multi-directional
Type of operator	Thermoplastic roller lever	Steel roller lever	Roller lever with ball bearing mounted roller	Variable length thermoplastic roller lever	"Cat's whisker" (1)

References (combined with removable terminal block)					
2-pole NC + NC snap action 	ZCMD29L1 + ZCE01 + ZCY15 ⊖ 	ZCMD29L1 + ZCE01 + ZCY16 ⊖ 	ZCMD29L1 + ZCE01 + ZCY17 ⊖ 	ZCMD29L1 + ZCE01 + ZCY45 ⊖ 	ZCMD29L1 + ZCE06
3-pole NC + NC + NO snap action 	ZCMD39L1 + ZCE01 + ZCY15 ⊖ 	ZCMD39L1 + ZCE01 + ZCY16 ⊖ 	ZCMD39L1 + ZCE01 + ZCY17 ⊖ 	ZCMD39L1 + ZCE01 + ZCY45 ⊖ 	ZCMD39L1 + ZCE06
3-pole NC + NC + NO break before make, slow break 	ZCMD37L1 + ZCE01 + ZCY15 ⊖ 	ZCMD37L1 + ZCE01 + ZCY16 ⊖ 	ZCMD37L1 + ZCE01 + ZCY17 ⊖ 	ZCMD37L1 + ZCE01 + ZCY45 ⊖ 	ZCMD37L1 + ZCE06
Weight (kg)	0.220	0.225	0.220	0.230	0.180
4-pole 2 NC + 2 NO snap action 	ZCMD4DL1 + ZCE01 + ZCY15 ⊖ 	ZCMD4DL1 + ZCE01 + ZCY16 ⊖ 	ZCMD4DL1 + ZCE01 + ZCY17 ⊖ 	ZCMD4DL1 + ZCE01 + ZCY45 ⊖ 	ZCMD4DL1 + ZCE06
Weight (kg)	0.200	0.205	0.200	0.210	0.160

References (combined with fixed terminal block)					
4-pole 2 NC + 2 NO snap action 	ZCMD41L1 + ZCE01 + ZCY15 ⊖ 	ZCMD41L1 + ZCE01 + ZCY16 ⊖ 	ZCMD41L1 + ZCE01 + ZCY17 ⊖ 	ZCMD41L1 + ZCE01 + ZCY45 ⊖ 	ZCMD41L1 + ZCE06
Weight (kg)	0.200	0.205	0.200	0.210	0.160
Contact operation			(A) = cam displacement (P) = positive opening point		

Complementary characteristics not shown under general characteristics (see page 27)		
Switch actuation	By 30° cam	
Type of actuation		
Maximum actuation speed	1.5 m/s	
Mechanical durability	10 million operating cycles	
Minimum force or torque	For tripping	0.1 N.m
	For positive opening	0.5 N.m
Cabling	PvR cable, 5 x 0.75 mm ² length 1 m for 2-pole contact versions, 7 x 0.5 mm ² length 1 m for 3-pole contact versions, 9 x 0.34 mm ² length 1 m for 4-pole contact versions. For other lengths, see page 48.	

(1) Value taken with actuation by moving part at 100 mm from the fixing.

Limit switches

XC Standard range

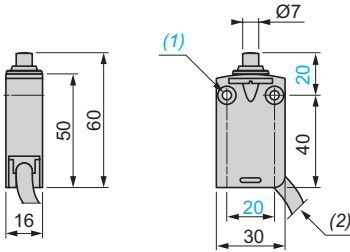
Miniature design, metal, XCMD

Complete units

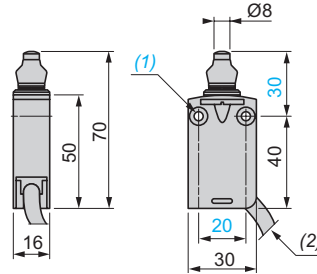
Pre-cabled

Dimensions

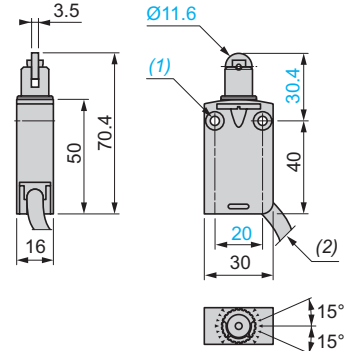
XCMD2•10L1



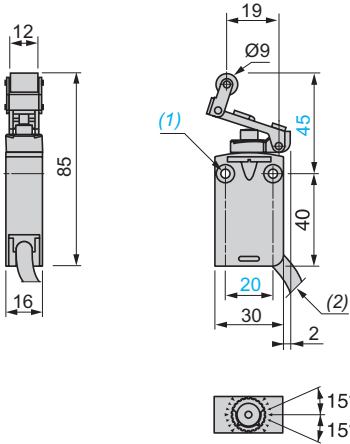
XCMD2•11L1



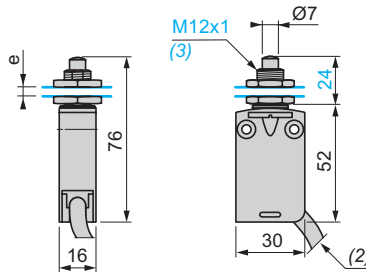
XCMD2•02L1



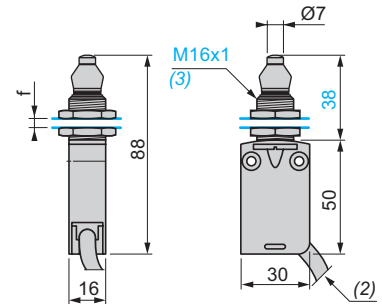
XCMD2•24L1



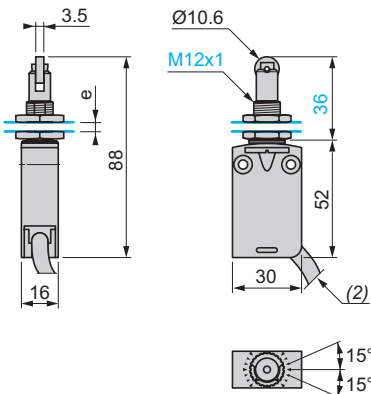
XCMD2•F0L1



XCMD2•G1L1



XCMD2•F2L1



(1) 2 fixing holes \varnothing 4.2 mm, counterbored \varnothing 8 mm by 4 mm deep

(2) External diameter of cable 7.5 mm

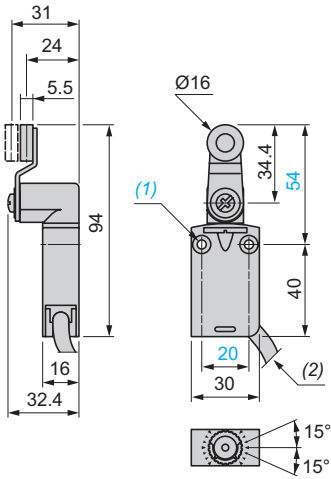
(3) Fixing nut thickness 3.5 mm

e: 8 mm max, panel cut-out \varnothing 12.5 mm

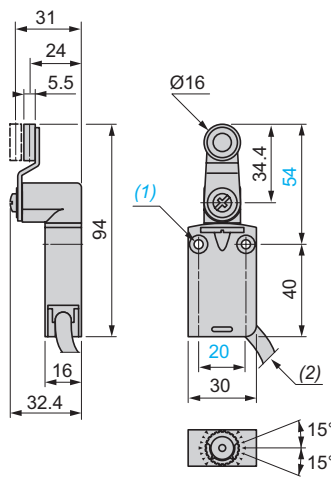
f: 8 mm max, panel cut-out \varnothing 16.5 mm

Dimensions (continued)

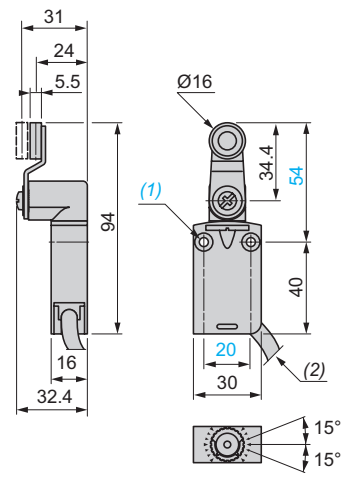
XCMD2●15L1



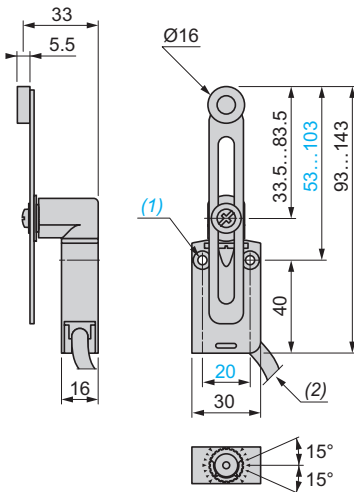
XCMD2●16L1



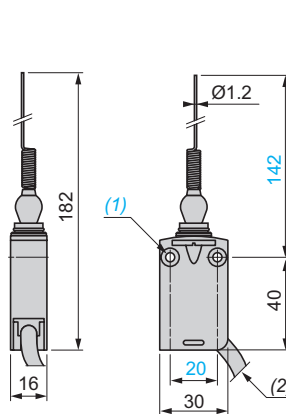
XCMD2●17L1



XCMD2●45L1

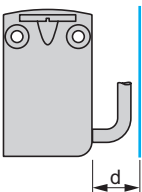


XCMD2●06L1



Mounting: distance required for connection

XCMD2●●●L1



d: 20 mm min.

Note: For modular switches ZCMD4D, ZCMD4DL● and ZCMC4DL●: d: 35 mm min.

(1) 2 fixing holes Ø 4.2 mm, counterbored Ø 8 mm by 4 mm deep

(2) External diameter of cable 7.5 mm

e: 8 mm max, panel cut-out Ø 12.5 mm

f: 8 mm max, panel cut-out Ø 16.5 mm

Limit switches

XC Standard range

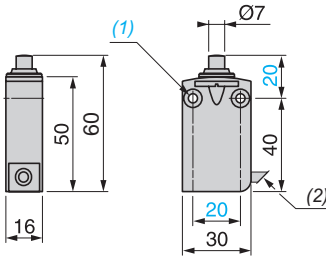
Miniature design, metal, XCMD

Modular units

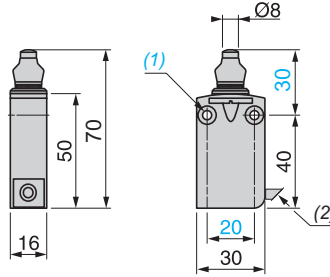
Pre-cabled

Dimensions

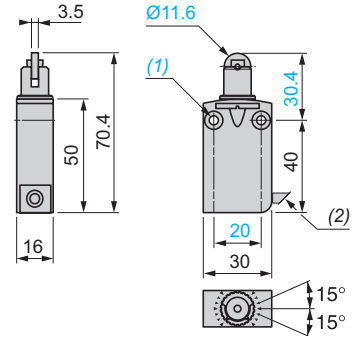
ZCMD●●L1 + ZCE10,
ZCMD4DL1 + ZCE10,
ZCMD41L1 + ZCE10



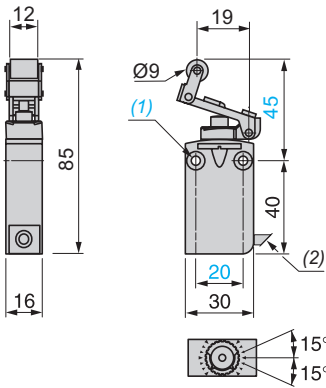
ZCMD●●L1 + ZCE11,
ZCMD4DL1 + ZCE11,
ZCMD41L1 + ZCE11



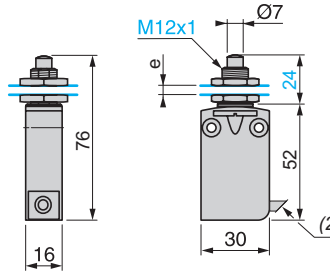
ZCMD●●L1 + ZCE02,
ZCMD4DL1 + ZCE02,
ZCMD41L1 + ZCE02



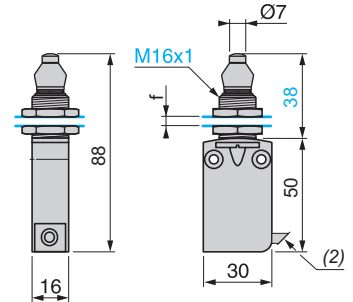
ZCMD●●L1 + ZCE24,
ZCMD4DL1 + ZCE24,
ZCMD41L1 + ZCE24



ZCMD●●L1 + ZCEF0,
ZCMD4DL1 + ZCEF0,
ZCMD41L1 + ZCEF0



ZCMD●●L1 + ZCEG1,
ZCMD4DL1 + ZCEG1,
ZCMD41L1 + ZCEG1



(1) 2 fixing holes Ø 4.2 mm, counterbored Ø 8 mm by 4 mm deep

(2) External diameter of cable 7.5 mm

e: 8 mm max, panel cut-out Ø 12.5 mm, fixing nut thickness 3.5 mm.

f: 8 mm max, panel cut-out Ø 16.5 mm, fixing nut thickness 3.5 mm.

Limit switches

XC Standard range

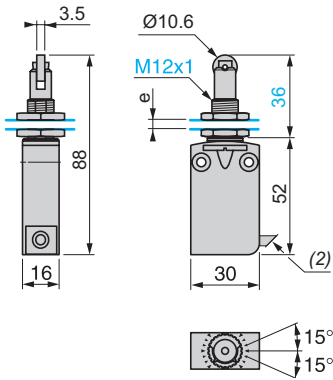
Miniature design, metal, XCMD

Modular units

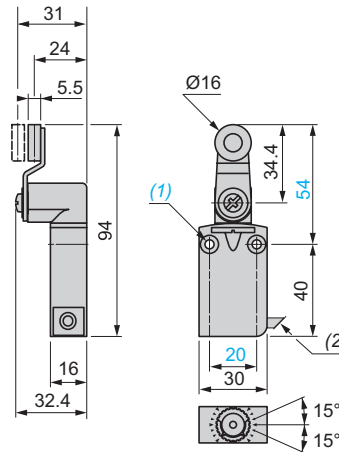
Pre-cabled

Dimensions (continued)

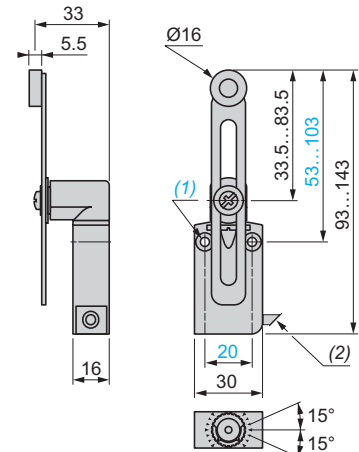
ZCMD●●L1 + ZCEF2,
ZCMD4DL1 + ZCEF2,
ZCMD41L1 + ZCEF2



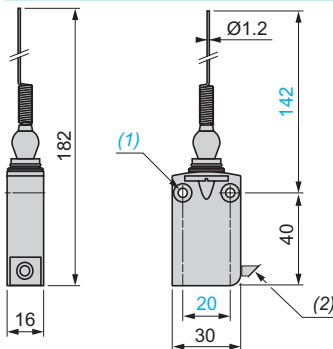
ZCMD●●L1 + ZCE01 + ZCY15/16/17,
ZCMD4DL1 + ZCE01 + ZCY15/16/17,
ZCMD41L1 + ZCE01 +
ZCY15/16/17



ZCMD●●L1 + ZCE01 + ZCY45,
ZCMD4DL1 + ZCE01 + ZCY45,
ZCMD41L1 + ZCE01 + ZCY45



ZCMD●●L1 + ZCE06,
ZCMD4DL1 + ZCE06,
ZCMD41L1 + ZCE06



(1) 2 fixing holes $\varnothing 4.2$ mm, counterbored $\varnothing 8$ mm by 4 mm deep

(2) External diameter of cable 7.5 mm

e: 8 mm max, panel cut-out $\varnothing 12.5$ mm, fixing nut thickness 3.5 mm.

f: 8 mm max, panel cut-out $\varnothing 16.5$ mm, fixing nut thickness 3.5 mm.

Limit switches

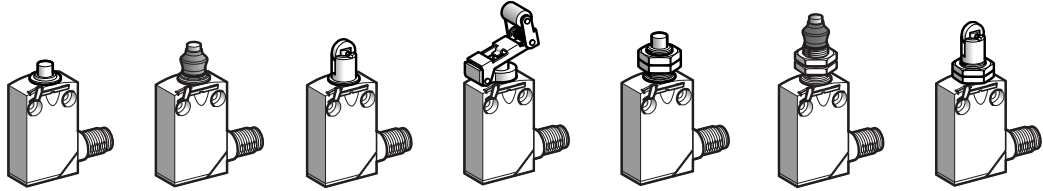
XC Standard range

Miniature design miniature, metal, XCMD

Complete units

Connector

Type of head	Plunger (fixing by the body)				Plunger (fixing by the head)		
--------------	------------------------------	--	--	--	------------------------------	--	--



Type of operator	Metal end plunger	Metal end plunger with elastomer boot (1)	Steel roller plunger	Retractable steel roller lever plunger	M12 with metal end plunger	M16 with metal end plunger with elastomer boot (1)	M12 with steel roller plunger
------------------	-------------------	---	----------------------	--	----------------------------	--	-------------------------------

References

<p>Single-pole CO snap action + integral M12 4-pin connector</p>	<p>XCMD2110M12</p>	<p>XCMD2111M12</p>	<p>XCMD2102M12</p>	<p>XCMD2124M12</p>	<p>XCMD21F0M12</p>	<p>XCMD21G1M12</p>	<p>XCMD21F2M12</p>
	<p>XCMD2110C12</p>	<p>XCMD2111C12</p>	<p>XCMD2102C12</p>	<p>XCMD2124C12</p>	<p>XCMD21F0C12</p>	<p>XCMD21G1C12</p>	<p>XCMD21F2C12</p>
<p>2-pole NC + NO snap action + integral M12 5-pin connector</p>							
Weight (kg)	0.085	0.085	0.090	0.105	0.100	0.125	0.110
Contact operation	closed open		(A) = cam displacement (P) = positive opening point	NC contact with positive opening operation			

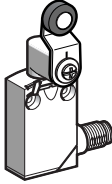
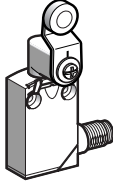
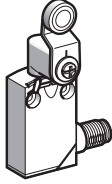
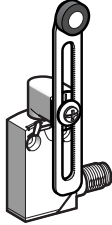
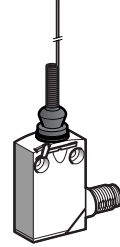
Complementary characteristics not shown under general characteristics (see page 27)

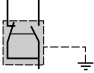
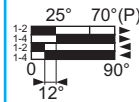
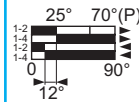
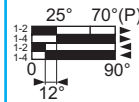
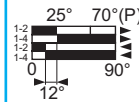
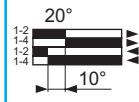
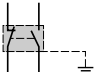
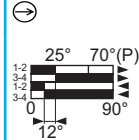
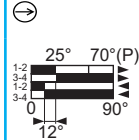
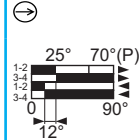
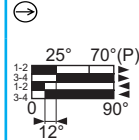
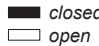
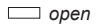
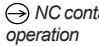
Switch actuation	On end	By 30° cam		On end	By 30° cam	
Type of actuation						
Maximum actuation speed	0.5 m/s				0.1 m/s	
Mechanical durability	10 million operating cycles					
Minimum force or torque	For tripping	8.5 N	7 N	2.5 N	8.5 N	7 N
	For positive opening	42.5 N	35 N	12.5 N	42.5 N	35 N
Positive operation	Although their design is identical to the pre-cabled switches, the switches incorporating an M12 4-pin connector cannot be marked with the symbol because they are single-pole CO.					

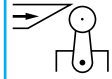


(1) Nitrile for indoor use.

Limit switches

XC Standard range
Miniature design miniature, metal, XCMD
Complete units
Connector

Type of head	Rotary (fixing by the body)				Multi-directional
					
Type of operator	Thermoplastic roller lever	Steel roller lever	Roller lever with ball bearing mounted roller	Variable length thermoplastic roller lever	"Cat's whisker" (1)

References					
 <p>Single-pole CO snap action With integral M12 4-pin connector</p>	<p>XCMD2115M12</p> 	<p>XCMD2116M12</p> 	<p>XCMD2117M12</p> 	<p>XCMD2145M12</p> 	<p>XCMD2106M12</p> 
	 <p>2-pole NC + NO snap action With integral M12 5-pin connector</p>	<p>XCMD2115C12</p> 	<p>XCMD2116C12</p> 	<p>XCM D2117C12</p> 	<p>XCMD2145C12</p> 
Weight (kg)		0.125	0.130	0.125	0.135
Contact operation	 closed  open		(A) = cam displacement (P) = positive opening point	 NC contact with positive opening operation	

Complementary characteristics not shown under general characteristics (see page 27)		
Switch actuation	By 30° cam	By any moving part
Type of actuation		
Maximum actuation speed	1.5 m/s	1 m/s
Mechanical durability	10 million operating cycles	5
Minimum force or torque	For tripping	0.1 N.m
	For positive opening	0.5 N.m
Positive operation	Although their design is identical to the pre-cabled switches, the switches incorporating an M12 4-pin connector cannot be marked with the  symbol because they are single-pole CO.	

(1) Value taken with actuation by moving part at 100 mm from the fixing.

Limit switches

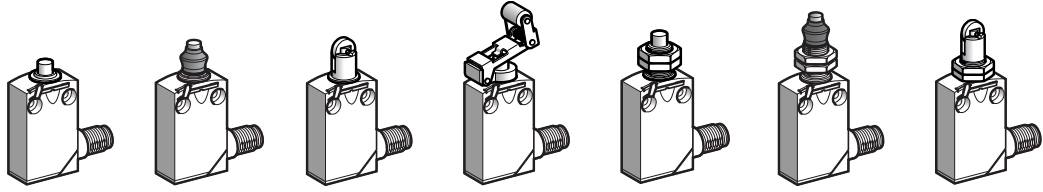
XC Standard range

Miniature design miniature, metal, XCMD

Modular units

Connector

Type of head	Plunger (fixing by the body)				Plunger (fixing by the body)		
--------------	------------------------------	--	--	--	------------------------------	--	--



Type of operator	Metal end plunger	Metal end plunger with elastomer boot (1)	Steel roller plunger	Retractable steel roller lever plunger	M12 with metal end plunger	M16 with metal end plunger with elastomer boot (1)	M12 with steel roller plunger
------------------	-------------------	---	----------------------	--	----------------------------	--	-------------------------------

References

	Single-pole CO snap action + integral M12 4-pin connector	ZCMD21M12 + ZCE10 ⊖	ZCMD21M12 + ZCE11 ⊖	ZCMD21M12 + ZCE02 ⊖	ZCMD21M12 + ZCE24 ⊖	ZCMD21M12 + ZCEF0 ⊖	ZCMD21M12 + ZCEG1 ⊖	ZCMD21M12 + ZCEF2 ⊖
	2-pole NC + NO snap action + integral M12 5-pin connector	ZCMD21C12 + ZCE10 ⊖	ZCMD21C12 + ZCE11 ⊖	ZCMD21C12 + ZCE02 ⊖	ZCMD21C12 + ZCE24 ⊖	ZCMD21C12 + ZCEF0 ⊖	ZCMD21C12 + ZCEG1 ⊖	ZCMD21C12 + ZCEF2 ⊖
	2-pole NC + NC snap action + integral M12 5-pin connector	ZCMD29C12 + ZCE10 ⊖	ZCMD29C12 + ZCE11 ⊖	ZCMD29C12 + ZCE02 ⊖	ZCMD29C12 + ZCE24 ⊖	ZCMD29C12 + ZCEF0 ⊖	ZCMD29C12 + ZCEG1 ⊖	ZCMD29C12 + ZCEF2 ⊖
Weight (kg)		0.085	0.085	0.090	0.105	0.100	0.125	0.110
	2-pole NC + NO snap action + M12 5-pin connector on 0.8 m flying lead	ZCMD21L08R12 + ZCE10 ⊖	ZCMD21L08R12 + ZCE11 ⊖	ZCMD21L08R12 + ZCE02 ⊖	ZCMD21L08R12 + ZCE24 ⊖	ZCMD21L08R12 + ZCEF0 ⊖	ZCMD21L08R12 + ZCEG1 ⊖	ZCMD21L08R12 + ZCEF2 ⊖
	2-pole NC + NO snap action + 7/8"-16 UN 5-pin connector on 0.8 m flying lead	ZCMD21L08U78 + ZCE10 ⊖	ZCMD21L08U78 + ZCE11 ⊖	ZCMD21L08U78 + ZCE02 ⊖	ZCMD21L08U78 + ZCE24 ⊖	ZCMD21L08U78 + ZCEF0 ⊖	ZCMD21L08U78 + ZCEG1 ⊖	ZCMD21L08U78 + ZCEF2 ⊖
Weight (kg)		0.150	0.150	0.155	0.170	0.165	0.190	0.175
Contact operation	closed open	(A) = cam displacement (P) = positive opening point			⊖ NC contact with positive opening operation			

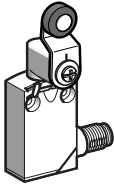
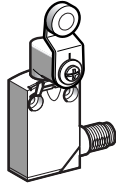
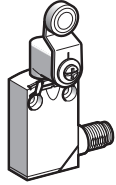
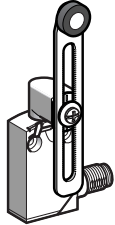
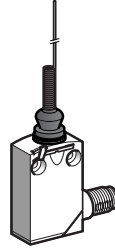
Complementary characteristics not shown under general characteristics (see page 27)

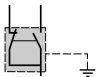
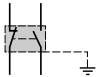
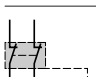
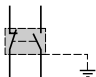
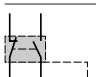
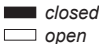

Switch actuation	On end	By 30° cam		On end	By 30° cam
Type of actuation					
Maximum actuation speed	0.5 m/s				0.1 m/s
Mechanical durability	10 million operating cycles				
Minimum force or torque	For tripping	8.5 N	7 N	2.5 N	8.5 N
	For positive opening	42.5 N	35 N	12.5 N	42.5 N
Positive operation	Although their design is identical to the pre-cabled switches, the switches incorporating an M12 4-pin connector cannot be marked with the ⊖ symbol because they are single-pole CO.				

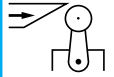

(1) Nitrile for indoor use.

Limit switches

XC Standard range
Miniature design miniature, metal, XCMD
Modular units
Connector

Type of head	Rotary (fixing by the body)				Multi-directional
					
Type of operator	Thermoplastic roller lever	Steel roller lever	Roller lever with ball bearing mounted roller	Variable length thermoplastic roller lever	"Cat's whisker" (1)

References					
 Single-pole CO snap action With integral M12 4-pin connector	ZCMD21M12 + ZCE01 + ZCY15 ⊖	ZCMD21M12 + ZCE01 + ZCY16 ⊖	ZCMD21M12 + ZCE01 + ZCY17 ⊖	ZCMD21M12 + ZCE01 + ZCY45 ⊖	ZCMD21M12 + ZCE06
 2-pole NC + NO snap action With integral M12 5-pin connector	ZCMD21C12 + ZCE01 + ZCY15 ⊖	ZCMD21C12 + ZCE01 + ZCY16 ⊖	ZCMD21C12 + ZCE01 + ZCY17 ⊖	ZCMD21C12 + ZCE01 + ZCY45 ⊖	ZCMD21C12 + ZCE06
 2-pole NC + NC snap action With integral M12 5-pin connector	ZCMD29C12 + ZCE01 + ZCY15 ⊖	ZCMD29C12 + ZCE01 + ZCY16 ⊖	ZCMD29C12 + ZCE01 + ZCY17 ⊖	ZCMD29C12 + ZCE01 + ZCY45 ⊖	ZCMD29C12 + ZCE06
Weight (kg)	0.125	0.130	0.125	0.135	0.085
 2-pole NC + NO snap action With M12 5-pin connector on 0.8 m flying lead	ZCMD21L08R12 + ZCE01 + ZCY15 ⊖	ZCMD21L08R12 + ZCE01 + ZCY16 ⊖	ZCMD21L08R12 + ZCE01 + ZCY17 ⊖	ZCMD21L08R12 + ZCE01 + ZCY45 ⊖	ZCMD21L08R12 + ZCE06
 2-pole NC + NO snap action With 7/8"-16 UN 5-pin connector on 0.8 m flying lead	ZCMD21L08U78 + ZCE01 + ZCY15 ⊖	ZCMD21L08U78 + ZCE01 + ZCY16 ⊖	ZCMD21L08U78 + ZCE01 + ZCY17 ⊖	ZCMD21L08U78 + ZCE01 + ZCY45 ⊖	ZCMD21L08U78 + ZCE06
Weight (kg)	0.200	0.205	0.200	0.210	0.160
Contact operation	 closed  open		(A) = cam displacement (P) = positive opening point	⊖ NC contact with positive opening operation	

Complementary characteristics not shown under general characteristics (see page 27)		
Switch actuation	By 30° cam	
Type of actuation		
Maximum actuation speed	1.5 m/s	
Mechanical durability	10 million operating cycles	
Minimum force or torque	For tripping	0.1 N.m
	For positive opening	0.5 N.m
Positive operation	Although their design is identical to the pre-cabled switches, the switches incorporating an M12 4-pin connector cannot be marked with the ⊖ symbol because they are single-pole CO.	

(1) Value taken with actuation by moving part at 100 mm from the fixing.

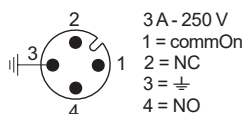
References of suitable pre-wired female connectors

Type of connector		M12 straight, 4-pin 4 A, 250 V	M12 straight, 5-pin 4 A, 24 V	M12 elbowed, 5-pin 4 A, 24 V	7/8"-16 UN straight, 5-pin 6 A, 250 V
With cable	L = 2 m	XZCP1169L2	XZCP1164L2	XZCP1264L2	XZCP1771L2
	L = 5 m	XZCP1169L5	XZCP1164L5	XZCP1264L5	XZCP1771L5
	L = 10 m	XZCP1169L10	XZCP1164L10	XZCP1264L10	XZCP1771L10
Weight (kg)		0.105	0.115	0.115	0.190

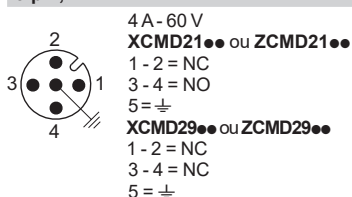
Connections

XCMD with connector

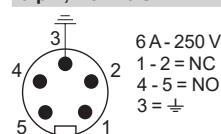
4-pin, M12



5-pin, M12

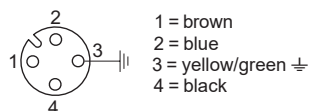


5-pin, 7/8"-16 UN

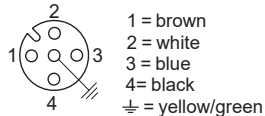


XZCP pre-wired female connectors

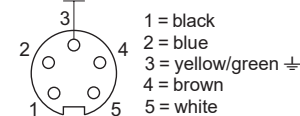
4-pin, M12



5-pin, M12

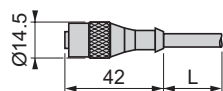


5-pin, 7/8"-16 UN

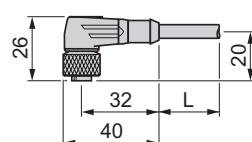


Dimensions

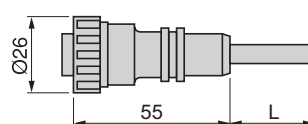
XZCP116●L●



XZCP1264L●



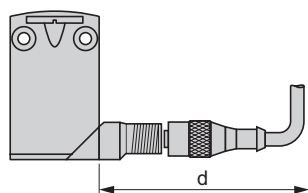
XZCP1771L●



L: cable length 2, 5 or 10 m.

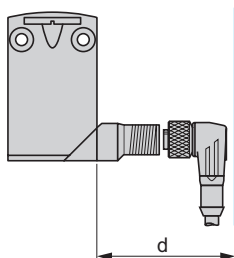
Distances required for plug-in connectors

M12 straight connector



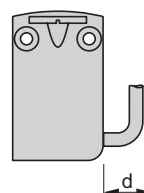
d: min. 65 mm, recommended 69 mm

M12 elbowed connector



d: min. 42 mm, recommended 45 mm

Connector on flying lead



d: min. 20 mm

Limit switches

XC Standard range

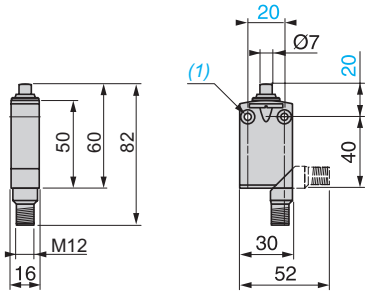
Miniature design, metal, XCMD

Complete units

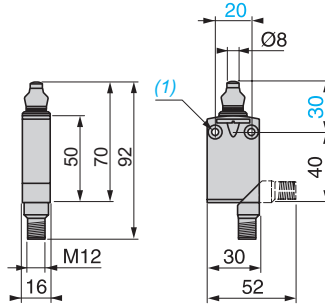
Connector

Dimensions

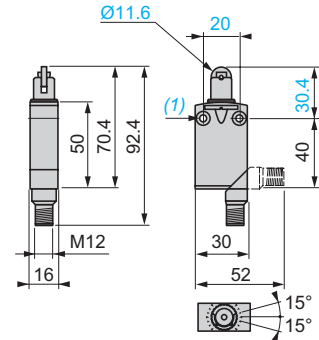
XCMD2110M12 and XCMD2110C12



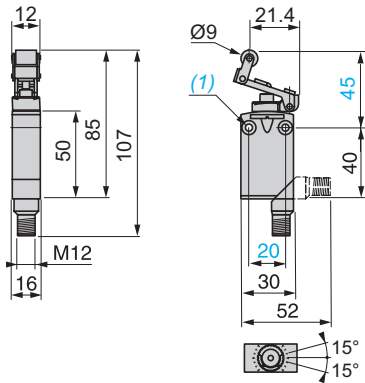
XCMD2111M12 and XCMD2111C12



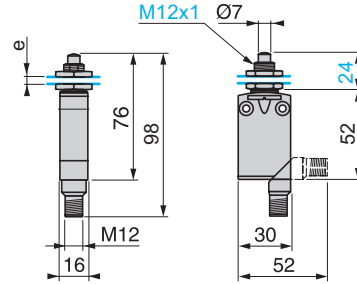
XCMD2102M12 and XCMD2102C12



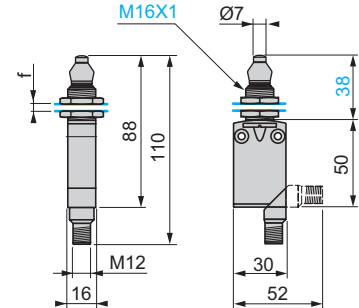
XCMD2124M12 and XCMD2124C12



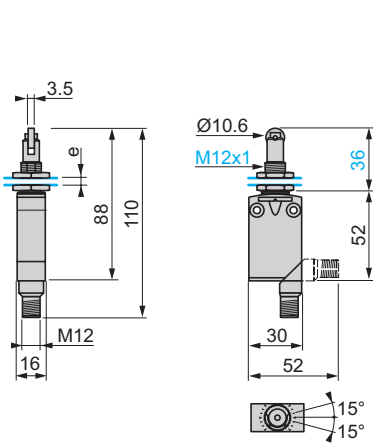
XCMD21F0M12 and XCMD21F0C12



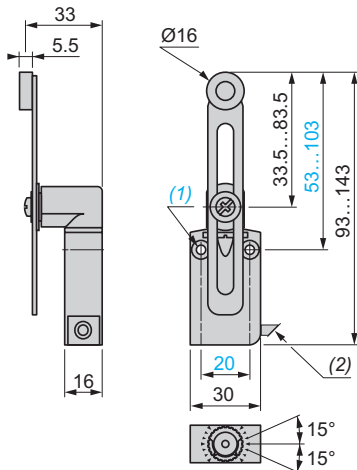
XCMD21G1M12 and XCMD21G1C12



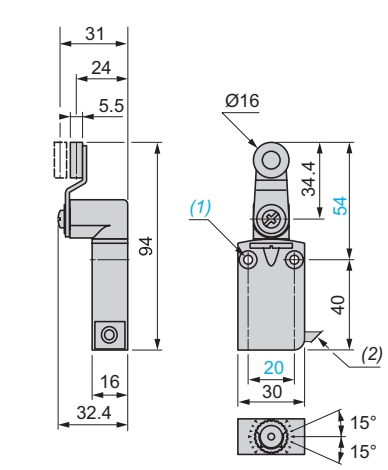
XCMD21F2M12 and XCMD21F2C12



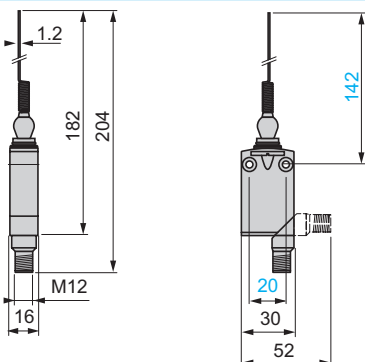
XCMD2145M12 and XCMD2145C12



XCMD2115M12 /116M12 /117M12
XCMD2115C12 /116C12 /117C12



XCMD2106M12 and XCMD2106C12



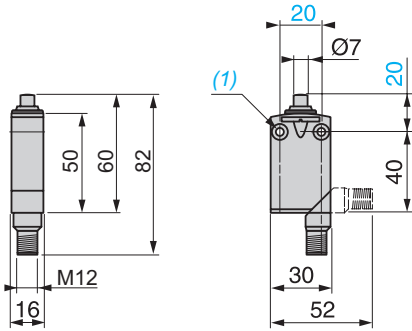
(1) 2 fixing holes $\varnothing 4.2$ mm, counterbored $\varnothing 8$ mm by 4 mm deep.
e: 8 mm max., panel cut-out $\varnothing 12.5$ mm, fixing nut thickness 3.5 mm.
f: 8 mm max., panel cut-out $\varnothing 16.5$ mm, fixing nut thickness 3.5 mm.

Limit switches

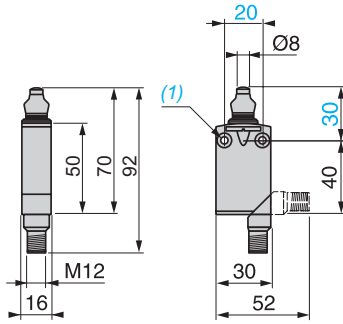
XC Standard range
Miniature design, metal, XCMD
Modular units
Connector

Dimensions (continued)

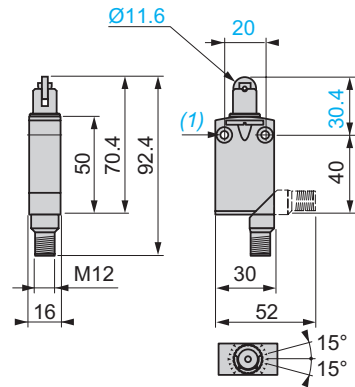
ZCMD21M12 + ZCE10
ZCMD2●C12 + ZCE10
ZCMD21L08●●● + ZCE10



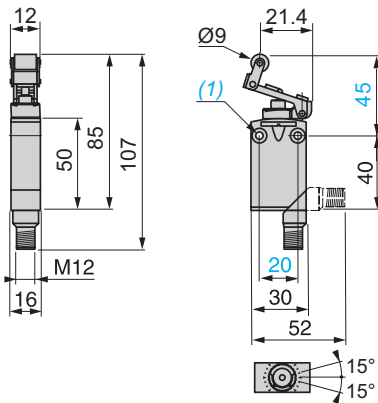
ZCMD21M12 + ZCE11
ZCMD2●C12 + ZCE11
ZCMD21L08●●● + ZCE11



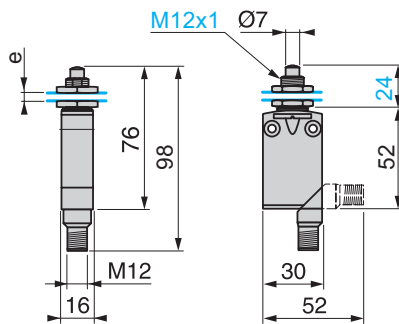
ZCMD21M12 + ZCE02
ZCMD2●C12 + ZCE02
ZCMD21L08●●● + ZCE02



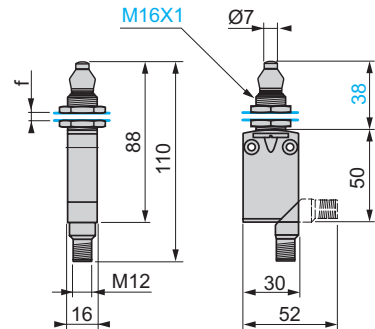
ZCMD21M12 + ZCE24
ZCMD2●C12 + ZCE24
ZCMD21L08●●● + ZCE24



ZCMD21M12 + ZCEF0
ZCMD2●C12 + ZCEF0
ZCMD21L08●●● + ZCEF0



ZCMD21M12 + ZCEG1
ZCMD2●C12 + ZCEG1
ZCMD21L08●●● + ZCEG1



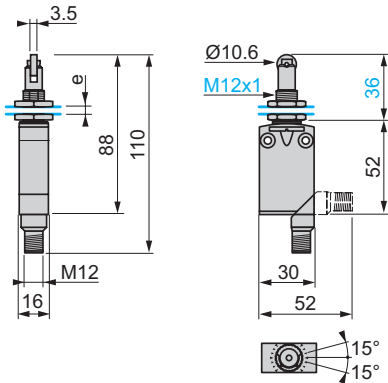
(1) 2 fixing holes Ø 4.2 mm, counterbored Ø 8 mm by 4 mm deep.
e: 8 mm max., panel cut-out Ø 12.5 mm, fixing nut thickness 3.5 mm.
f: 8 mm max., panel cut-out Ø 16.5 mm, fixing nut thickness 3.5 mm.

Limit switches

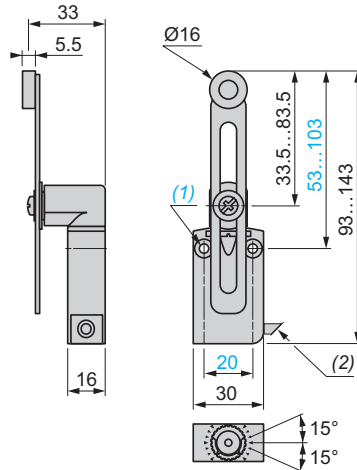
XC Standard range
Miniature design, metal, XCMD
Modular units
Connector

Dimensions (continued)

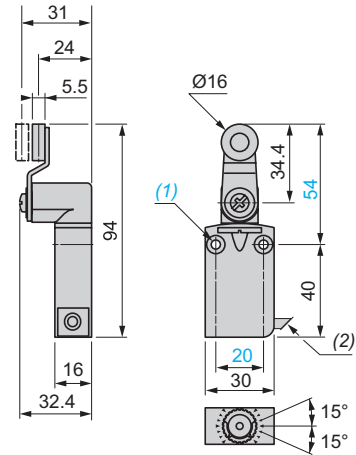
ZCMD21M12 + ZCEF2
ZCMD2●C12 + ZCEF2
ZCMD21L08●●● + ZCEF2



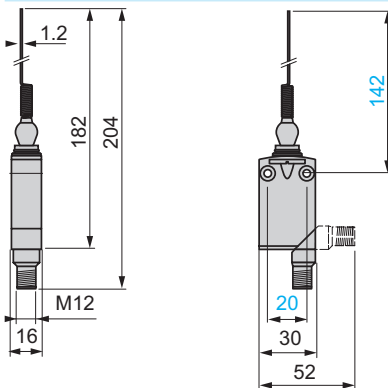
ZCMD21M12 + ZCE01 + ZCY45
ZCMD2●C12 + ZCE01 + ZCY45
ZCMD21L08●●● + ZCE01 + ZCY45



ZCMD21M12 + ZCE01 + ZCY1●
ZCMD2●C12 + ZCE01 + ZCY1●
ZCMD21L08●●● + ZCE01 + ZCY1●



ZCMD21M12 + ZCE06
ZCMD2●C12 + ZCE06
ZCMD21L08●●● + ZCE06

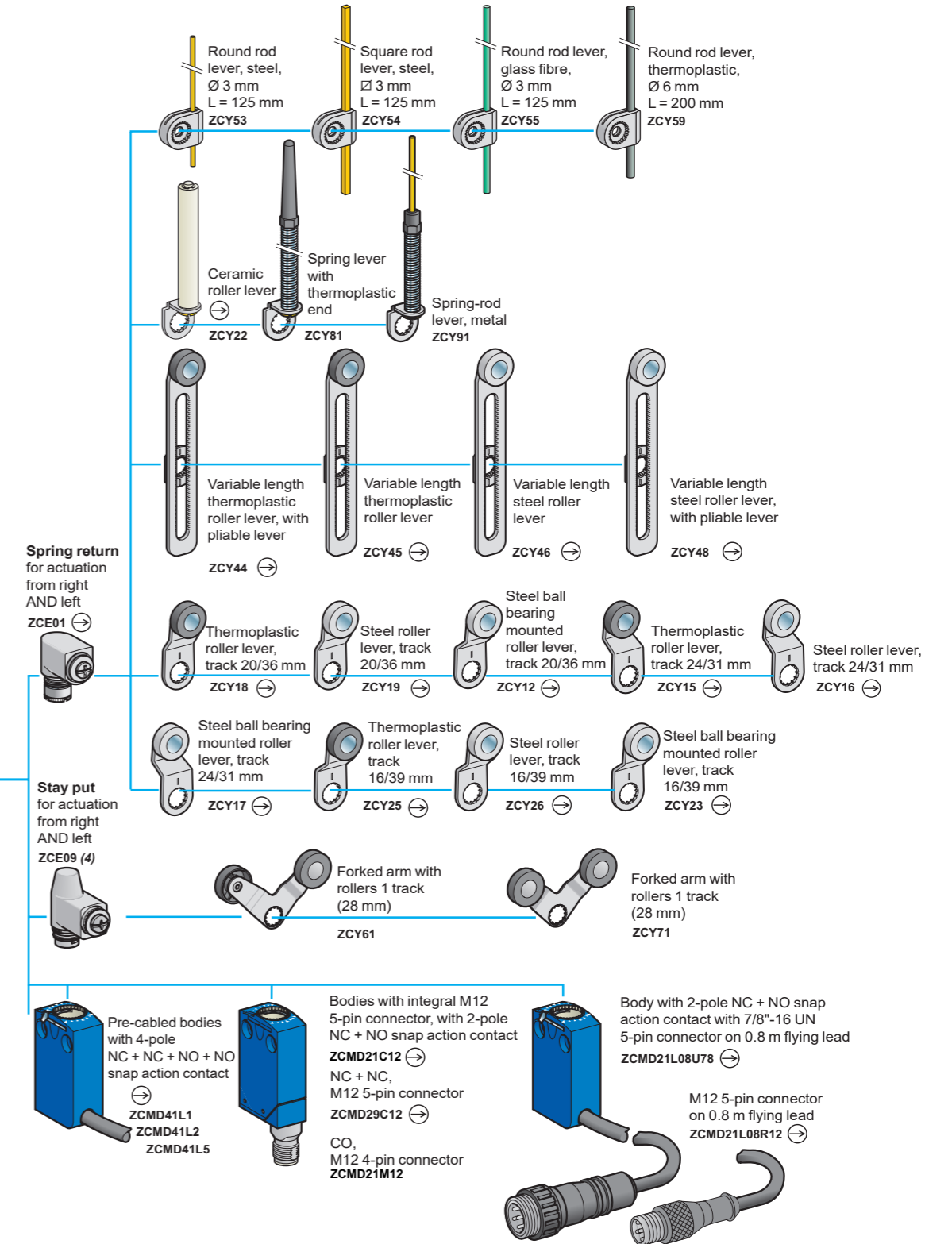
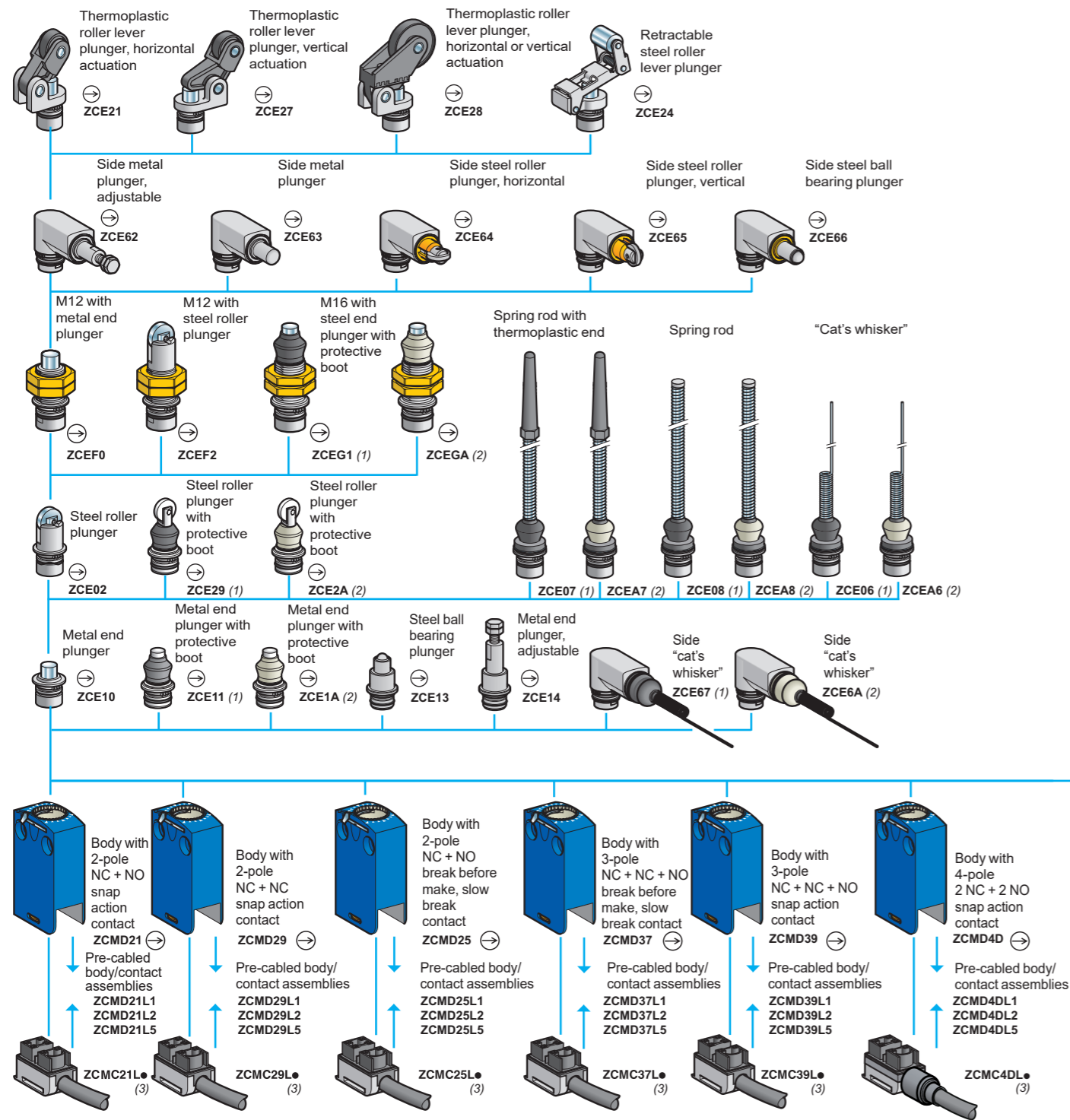


(1) 2 fixing holes Ø 4.2 mm, counterbored Ø 8 mm by 4 mm deep.
e: 8 mm max., panel cut-out Ø 12.5 mm, fixing nut thickness 3.5 mm.
f: 8 mm max., panel cut-out Ø 16.5 mm, fixing nut thickness 3.5 mm.

Limit switches

XC Standard range

Miniature design, metal, XCMD
Variable composition

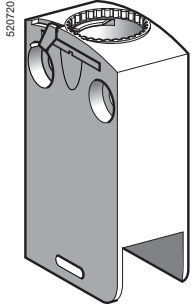


(1) Nitrile boot for indoor use.
 (2) Silicone boot for outdoor use.
 (3) Connection components: replace the "●" in the reference with the required cable length in metres (1, 2, 3, 5, 7 or 10 m).
 For example, ZCMC21L● becomes ZCMC21L7 for a 7 m cable.
 Note: Only cable lengths of 1, 2 and 5 m are available for connection components ZCMC37L●, ZCMC39L● and ZCMC4DL●.

(4) Suitable with bodies: ZCMD21, ZCMD29, ZCMD39, ZCMD41, ZCMD4D, ZCMD21C12, ZCMD21M12, ZCMD29C12 or ZCMD21L08●●●.

Limit switches

XC Standard range
Miniature design, metal, XCMD
Body/contact assemblies



ZCMD6●
ZCMD7●
ZCMD4D

Body/contact assemblies					
Type of contact	Positive operation (1)	Scheme	Type of contact	Reference	Weight kg
2-pole					
NC + NO snap action	⊕		Standard	ZCMD21	0.055
			Gold plated	ZCMD61	0.055
NC + NC snap action	⊕		Standard	ZCMD29	0.055
			Gold plated	ZCMD69	0.055
NC + NO break before make, slow break	⊕		Standard	ZCMD25	0.055
			Gold plated	ZCMD65	0.055
3-pole					
NC + NC + NO break before make, slow break	⊕		Standard	ZCMD37	0.055
			Gold plated	ZCMD77	0.055
NC + NC + NO snap action	⊕		Standard	ZCMD39	0.055
			Gold plated	ZCMD79	0.055
4-pole					
2 NC + 2 NO snap action	⊕		Standard	ZCMD4D	0.055

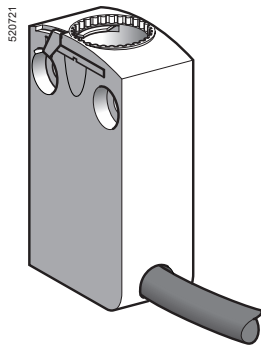
(1) ⊕ bodies with contacts assuring positive opening operation.

Limit switches

XC Standard range

Miniature design, metal, XCMD

Pre-cabled body/contact assemblies



XCMD●●●●

Body/contact assemblies with removable cable

Type of contact	Positive operation (1)	Scheme	Length of cable in metres	Reference	Weight kg
2-pole					
NC + NO snap action	⊕		1	ZCMD21L1	0.160
			2	ZCMD21L2	0.250
			5	ZCMD21L5	0.520
NC + NC snap action	⊕		1	ZCMD29L1	0.160
			2	ZCMD29L2	0.250
			5	ZCMD29L5	0.520
NC + NO break before make, slow break	⊕		1	ZCMD25L1	0.160
			2	ZCMD25L2	0.250
			5	ZCMD25L5	0.520
3-pole					
NC + NC + NO break before make, slow break	⊕		1	ZCMD37L1	0.160
			2	ZCMD37L2	0.250
			5	ZCMD37L5	0.520
NC + NC + NO snap action	⊕		1	ZCMD39L1	0.160
			2	ZCMD39L2	0.250
			5	ZCMD39L5	0.520
4-pole					
2 NC + 2 NO snap action	⊕		1	ZCMD4DL1	0.160
			2	ZCMD4DL2	0.250
			5	ZCMD4DL5	0.520

Pre-cabled bodies/contact assemblies (fixed cable)

4-pole					
2 NC + 2 NO snap action	⊕		1	ZCMD41L1	0.160
			2	ZCMD41L2	0.250
			5	ZCMD41L5	0.520

Pre-cabled bodies with gold contacts (fixed cable)

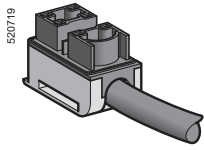
4-pole					
2 NC + 2 NO snap action	⊕		1	ZCMD81L1	0.160
			2	ZCMD81L2	0.250
			5	ZCMD81L5	0.520

(1) ⊕ bodies with contacts assuring positive opening operation.

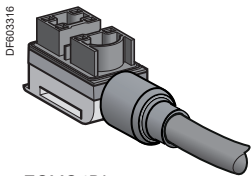
Limit switches

XC Standard range

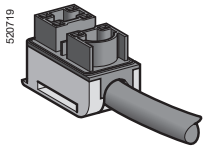
Miniature design, metal, XCMD
Connection components



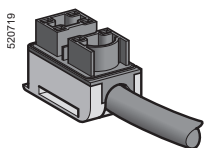
ZCMC2●L●●
ZCMC3●L●●



ZCMC4DL●



ZCMC21E●



ZCMC25T06
ZCMC21T●

Pre-cabled connection components with PVC cable

2-pole

Type of contact	Scheme	Length of cable in metres	Reference	Weight kg
NC + NO snap action		1	ZCMC21L1	0.100
		2	ZCMC21L2	0.190
		3	ZCMC21L3	0.280
		5	ZCMC21L5	0.460
		7	ZCMC21L7	0.700
10	ZCMC21L10	0.970		

NC + NC snap action		1	ZCMC29L1	0.100
		2	ZCMC29L2	0.190
		3	ZCMC29L3	0.280
		5	ZCMC29L5	0.460
		7	ZCMC29L7	0.700
10	ZCMC29L10	0.970		

NC + NO break before make, slow break		1	ZCMC25L1	0.100
		2	ZCMC25L2	0.190
		3	ZCMC25L3	0.280
		5	ZCMC25L5	0.460
		7	ZCMC25L7	0.700
10	ZCMC25L10	0.970		

3-pole

NC + NC + NO break before make, slow break		1	ZCMC37L1	0.100
		2	ZCMC37L2	0.190
		5	ZCMC37L5	0.460

NC + NC + NO snap action		1	ZCMC39L1	0.100
		2	ZCMC39L2	0.190
		5	ZCMC39L5	0.460

4-pole

2 NC + 2 NO snap action		1	ZCMC4DL1	0.100
		2	ZCMC4DL2	0.190
		5	ZCMC4DL5	0.460

Pre-cabled connection components with CEI cable

(Connitato Elettrotecnico Italiano) (1)

Type of contact	Scheme	Length of CEI cable in metres	Reference	Weight kg
2-pole NC + NO snap action		1	ZCMC21E1	0.100
		2	ZCMC21E2	0.190
		3	ZCMC21E3	0.280
		5	ZCMC21E5	0.460
		7	ZCMC21E7	0.700
		10	ZCMC21E10	0.970

Pre-cabled connection components with halogen free cable (2)

Type of contact	Positive operation (3)	Scheme	Length of cable in metres	Reference	Weight kg
2-pole NC + NO break before make, slow break	⊕		0.6	ZCMC25T06	0.080
			1	ZCMC21T1	0.130
NC + NO snap action	⊕		1	ZCMC21T2	0.250
			2	ZCMC21T5	0.520
			5	ZCMC21T5	0.520

(1) Cable not UL or CSA certified.

(2) For other types of contacts and cable, please contact our Customer Care Centre.

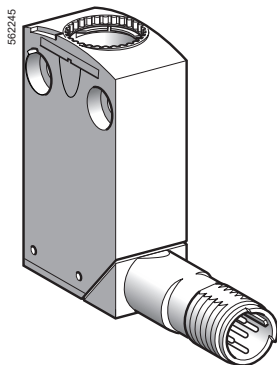
(3) ⊕ bodies with contacts assuring positive opening operation.

Limit switches

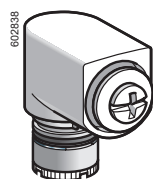
XC Standard range

Miniature design, metal, XCMD

Separate parts



ZCMD61●●●



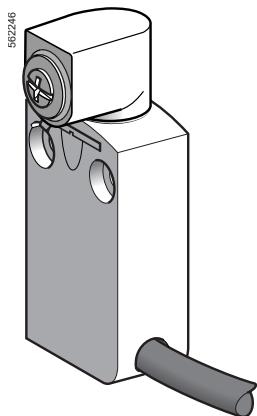
ZCE05



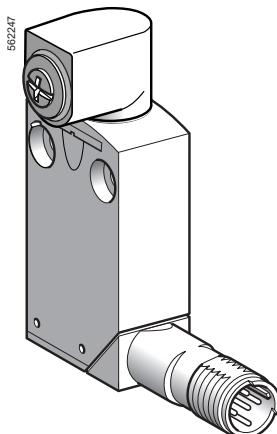
XCMZ06



XCMZ07



XCMD2●01L1



XCMD2101●12

Bodies with gold contacts, connector

Type of contact	Positive operation (1)	Scheme	Connector	Reference	Weight kg
2-pole					
NC + NO snap action	—		M12 5-pin	ZCMD61C12	0.065
NC + NC snap action	—		M12 5-pin	ZCMD69C12	0.065
Single-pole					
CO snap action	—		M12 4-pin	ZCMD61M12	0.065

Accessories

Description	Positive operation (1)	Suitable levers for use with head	Reference	Weight kg
Rotary head, without lever, spring return, for actuation from right AND left or from right OR left		ZCY12, ZCY15, ZCY16, ZCY17, ZCY18, ZCY19, ZCY22, ZCY23, ZCY25, ZCY26, ZCY39, ZCY53, ZCY54, ZCY55, ZCY81	ZCE05	0.045
Spacer for mounting multi-track XCMD	—	—	XCMZ06	0.005
Spacer for angular positioning of heads with adjustable levers, for values other than -90°, 0° and 90°	—	—	XCMZ07	0.005

Pre-cabled body/contact assemblies, with rotary head (without operating lever)

Type of contact	Positive operation (1)	Scheme	Length of cable in metres	Reference	Weight kg
2-pole					
NC + NO snap action			1	XCMD2101L1	0.180
NC + NO break before make, slow break			1	XCMD2501L1	0.180

Body/contact assemblies with rotary head (without operating lever), connector

Type of contact	Positive operation (1)	Scheme	Connector	Reference	Weight kg
2-pole					
NC + NO snap action			M12 5-pin	XCMD2101C12	0.110
Single-pole					
CO snap action	—		M12 4-pin	XCMD2101M12	0.110

(1) bodies with contacts or head assuring positive opening operation.

Limit switches

XC Standard range

Miniature design, metal, XCMV

for mobile equipment

The range of XCMV limit switches is an offer dedicated to mobile equipment:

- special connectors
- a metal body for robustness
- compact dimensions (among the smallest on the market)
- IP 69 degree of protection, for high-pressure cleaning
- for outdoor use at -25 °...+70 °C

Complete units
with Deutsch DT04-4P connector

□ With head for linear (plunger) and rotary (lever) movement



Page 53

Complete units
with AMP Superseal 1.5 connector

□ With head for linear (plunger) and rotary (lever) movement



Page 54

Complete units
with M12 connector

□ With head for linear (plunger) and rotary (lever) movement



Page 55

Limit switches

XC Standard range
Miniature design, metal, XCMV
for mobile equipment

Modular units

Body with Deutsch DT04-4P connector

□ With head for linear (plunger) and rotary (lever) movement



Pages 56 and 57

Modular units

Body with AMP Superseal 1.5 connector

□ With head for linear (plunger) and rotary (lever) movement



Pages 58 and 59

Modular units

Body with M12 connector

□ With head for linear (plunger) and rotary (lever) movement



Pages 60 and 61

Modular units

Pre-cabled body

□ With head for linear (plunger) and rotary (lever) movement



Pages 62 and 63

Limit switches

XC Standard range

Miniature design, metal, XCMV
for mobile equipment

Environmental characteristics		
Product certifications		CE, cURus
Conformity to standards	Products	EN/IEC 60947-5-1, UL 508, CSA C22-2 n°14, GB/T 14048.5
	Machine assemblies	EN/IEC 60204-1
Protective treatment		Standard version: "TC"
Ambient air temperature	For operation	- 25...+ 70 °C (- 40...+ 70 °C with ZCE106, ZCE026 and ZCE016 heads)
	For storage	- 40...+ 70 °C
Vibration resistance		± 1.76 mm (10...60 Hz), 25 gn (61...500 Hz) conforming to IEC 60068-2-6
Shock resistance		40 gn (11 ms) conforming to IEC 60068-2-27
Protection against electric shock		Class III conforming to IEC 61140, class 2 conforming to UL 508
Degree of protection	Switches with 4-pin M12 connector	IP 66, IP 67 and IP 69 conforming to EN/IEC 60529 ; IK 04 conforming to EN 62262
	Switches with 4-pin Deutsch DT04-4P or AMP Superseal 1.5 connector	IP 66, IP 67 and IP 69 conforming to EN/IEC 60529 ; IK 06 conforming to EN 62262
	Pre-cabled switches	IP 66 and IP 67 conforming to EN/IEC 60529
Materials		Body: Zamak, heads: Zamak, connectors: thermoplastic, cable: PvR
Repeat accuracy		0.1 mm on the tripping points, with 1 million operating cycles for head with end plunger

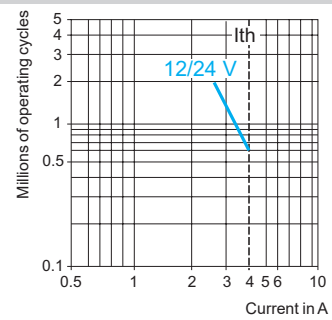
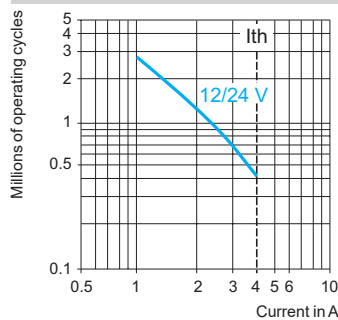
Contact block characteristics		
Rated operational characteristics	Switches with 4-pin M12 connector	~ AC-14; Ue = 24 V, Ie = 3 A, Ith = 4 A --- DC-13; Ue = 24 V, Ie = 1 A, conforming to IEC 60947-5-1, EN 60947-5-1
	Pre-cabled switches or switches with 4-pin Deutsch DT04-4P or AMP Superseal 1.5 connector	~ AC-14; Ue = 24 V, Ie = 3 A, Ith = 6 A --- DC-13; Ue = 24 V, Ie = 1 A, conforming to IEC 60947-5-1, EN 60947-5-1
Rated insulation voltage		Ui = 36 V degree of pollution 3 conforming to IEC 60947-5-1 Ui = 36 V conforming to UL 508, CSA C22-2 no. 14
Rated impulse withstand voltage		U imp = 0.8 kV conforming to IEC 60947-1, IEC 60664
Positive operation (depending on model)		NC contacts with positive opening operation conforming to IEC 60947-5-1
Resistance across terminals		≤ 25 mΩ conforming to IEC 60255-7 category 3
Short-circuit protection.		6 A cartridge fuse type gG (gl)
Minimum actuation speed (for head with end plunger)		Snap-action contact: 0.01 m/minute, slow-break contact: 6 m/minute
Electrical durability		<ul style="list-style-type: none"> ■ Conforming to IEC 60947-5-1 Appendix C ■ Utilisation categories AC-14 and DC-13 ■ Maximum operating rate: 3600 operating cycles/hour ■ Load factor: 0.5

AC supply
~ 50/60 Hz
m inductive circuit

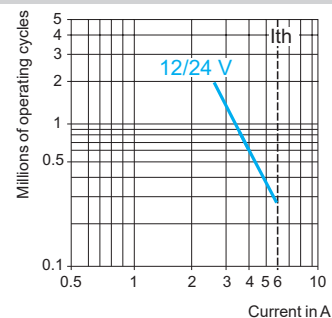
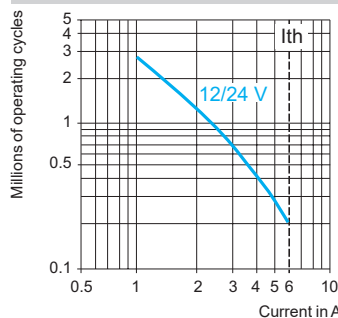
XCMV snap-action (NC+NO contact)

XCMV slow-break (NC+NO contact)

Switches with M12 connector



Pre-cabled switches or switches with Deutsch DT04-4P or AMP Superseal 1.5 connector



DC supply ---

Power broken in W for
0.1 million operating cycles

Voltage	V	24
m	A	2

Power broken in W for
1.3 million operating cycles

Voltage	V	24
m	A	0.5

Limit switches

XC Standard range
Miniature design, metal, XCMV
Complete units for mobile equipment

Type of head	Plunger (fixing by the body)	Rotary (fixing by the body)
--------------	------------------------------	-----------------------------



Form conforming to EN 50047	B	C	A
Type of operator	Metal end plunger	Steel roller plunger	Thermoplastic roller lever (1)
Positive operation			

References of complete units with male Deutsch DT04-4P connector

2-pole NC + NO snap action	XCMV2110D44 	XCMV2102D44 	XCMV2115D44
2-pole NC + NO break before make, slow break	XCMV2510D44 	XCMV2502D44 	XCMV2515D44
Weight (kg)	0.090	0.090	0.130

Contact operation closed open (A) = cam displacement (P) = positive opening point

Complementary characteristics not shown under general characteristics (see page 51)

Switch actuation	On end	By 30° cam		
Type of actuation				
Maximum actuation speed	0.5 m/s	0.5 m/s	1.5 m/s	
Mechanical durability (in millions of operating cycles)	10			
Minimum force or torque	For tripping	8.5 N	7 N	0.1 N.m
	For positive opening	42.5 N	35 N	0.5 N.m

(1) Can be adjusted throughout 360° in 15° steps.

Limit switches

XC Standard range
Miniature design, metal, XCMV
Complete units for mobile equipment

Type of head	Plunger (fixing by the body)	Rotary (fixing by the body)
--------------	------------------------------	-----------------------------



Form conforming to EN 50047	B	C	A
Type of operator	Metal end plunger	Steel roller plunger	Thermoplastic roller lever (1)
Positive operation			

References of complete units with male AMP Superseal 1.5 connector

2-pole NC + NO snap action	XCMD2110AM4 	XCMD2102AM4 	XCMD2115AM4
2-pole NC + NO break before make, slow break	XCMD2510AM4 	XCMD2502AM4 	XCMD2515AM4
Weight (kg)	0.090	0.090	0.130
Contact operation			(A) = cam displacement (P) = positive opening point

Characteristics

Switch actuation	On end	By 30° cam		
Type of actuation				
Maximum actuation speed	0.5 m/s	0.5 m/s	1.5 m/s	
Mechanical durability (in millions of operating cycles)	10			
Minimum force or torque	For tripping	8.5 N	7 N	0.1 N.m
	For positive opening	42.5 N	35 N	0.5 N.m

(1) Can be adjusted throughout 360° in 15° steps.

Limit switches

XC Standard range
Miniature design, metal, XCMV
Complete units for mobile equipment

Type of head	Plunger (fixing by the body)	Rotary (fixing by the body)
--------------	------------------------------	-----------------------------



Form conforming to EN 50047	B	C	A
Type of operator	Metal end plunger	Steel roller plunger	Thermoplastic roller lever (1)
Positive operation			

References of complete units with M12 connector

2-pole NC + NO snap action	XCMV2110M12 	XCMV2102M12 	XCMV2115M12
2-pole NC + NO break before make, slow break	XCMV2510M12 	XCMV2502M12 	XCMV2515M12
Weight (kg)	0.090	0.090	0.130

Contact operation		(A) = cam displacement (P) = positive opening point	
-------------------	--	--	--

Complementary characteristics not shown under general characteristics (see page 51)

Switch actuation	On end	By 30° cam		
Type of actuation				
Maximum actuation speed	0.5 m/s	0.5 m/s	1.5 m/s	
Mechanical durability (in millions of operating cycles)	10			
Minimum force or torque	For tripping	8.5 N	7 N	0.1 N.m
	For positive opening	42.5 N	35 N	0.5 N.m

(1) Can be adjusted throughout 360° in 15° steps.

Limit switches

XC Standard range
Miniature design, metal, XCMV
Modular units for mobile equipment

Type of head	Plunger (fixing by the body)							Plunger (fixing by the head)	Rotary (fixing by the body)					Multi-directional	
Type of operator	Metal end plunger	Metal end plunger -40 °C (1)	Metal end plunger with elastomer boot (2)	Steel roller plunger	Steel roller plunger -40 °C (1)	Retractable steel roller lever plunger	M12 with metal end plunger	M16 with metal end plunger with elastomer boot (1)	M12 with steel roller plunger	Thermoplastic roller lever	Thermoplastic roller lever -40 °C	Steel roller lever	Roller lever with ball bearing mounted roller	Variable length thermoplastic roller lever	"Cat's whisker" (3)

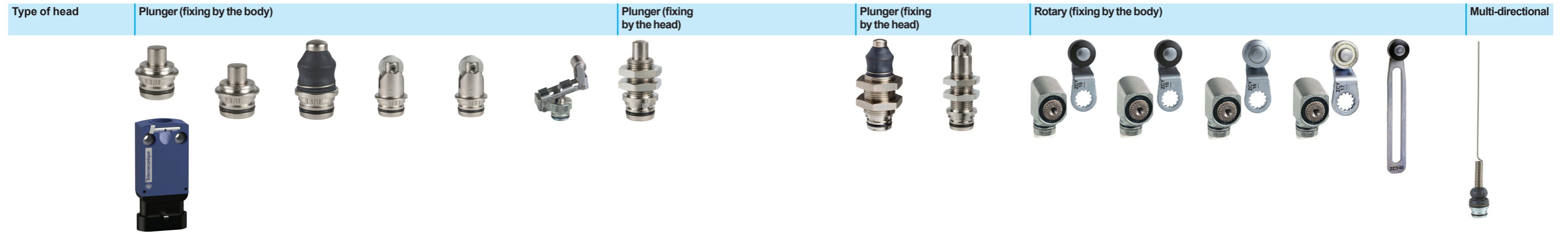
References of modular units (body with male Deutsch DT04-4P connector and removable terminal block)															
2-pole NC + NO snap action	ZCMV21D44 + ZCE10	ZCMV21D44 + ZCE106	ZCMV21D44 + ZCE11	ZCMV21D44 + ZCE02	ZCMV21D44 + ZCE026	ZCMV21D44 + ZCE24	ZCMV21D44 + ZCEF0	ZCMV21D44 + ZCEG1	ZCMV21D44 + ZCEF2	ZCMV21D44 + ZCY15	ZCMV21D44 + ZCE016 + ZCY15	ZCMV21D44 + ZCE01 + ZCY16	ZCMV21D44 + ZCE01 + ZCY17	ZCMV21D44 + ZCE01 + ZCY45	ZCMV21D44 + ZCE06
2-pole NC + NO break before make, slow break	ZCMV25D44 + ZCE10	ZCMV25D44 + ZCE106	ZCMV25D44 + ZCE11	ZCMV25D44 + ZCE02	ZCMV25D44 + ZCE026	ZCMV25D44 + ZCE24	ZCMV25D44 + ZCEF0	ZCMV25D44 + ZCEG1	ZCMV25D44 + ZCEF2	ZCMV25D44 + ZCY15	ZCMV25D44 + ZCE016 + ZCY15	ZCMV25D44 + ZCE01 + ZCY16	ZCMV25D44 + ZCE01 + ZCY17	ZCMV25D44 + ZCE01 + ZCY45	ZCMV25D44 + ZCE06
2-pole NC + NC snap action	ZCMV29D44 + ZCE10	ZCMV29D44 + ZCE106	ZCMV29D44 + ZCE11	ZCMV29D44 + ZCE02	ZCMV29D44 + ZCE026	ZCMV29D44 + ZCE24	ZCMV29D44 + ZCEF0	ZCMV29D44 + ZCEG1	ZCMV29D44 + ZCEF2	ZCMV29D44 + ZCY15	ZCMV29D44 + ZCE016 + ZCY15	ZCMV29D44 + ZCE01 + ZCY16	ZCMV29D44 + ZCE01 + ZCY17	ZCMV29D44 + ZCE01 + ZCY45	ZCMV29D44 + ZCE06
Contact operation	(A) = cam displacement (P) = positive opening point							(A) = cam displacement (P) = positive opening point			(A) = cam displacement (P) = positive opening point				

Complementary characteristics not shown under general characteristics (see page 51)																	
Switch actuation	On end				By 30° cam				On end								
Type of actuation																	
Maximum actuation speed	0.5 m/s								0.5 m/s		0.1 m/s		1.5 m/s		1.5 m/s		1 m/s
Mechanical durability	10 million operating cycles								10 million operating cycles								
Nominal force or torque	For tripping				7 N				8.5 N		7 N.m		0.1 N.m		0.1 N.m		0.1 N.m
	For positive opening				35 N				42.5 N		35 N.m		0.5 N.m		0.5 N.m		-
Connection	Deutsch DT04-4P connector																

(1) For use at -40 °C.
(2) Nitrile for indoor use.
(3) Value taken with actuation by moving part at 100 mm from the fixing.

Limit switches

XC Standard range
Miniature design, metal, XCMV
Modular units for mobile equipment



Type of head	Plunger (fixing by the body)							Plunger (fixing by the head)	Plunger (fixing by the head)	Rotary (fixing by the body)					Multi-directional
Type of operator	Metal end plunger	Metal end plunger -40 °C (1)	Metal end plunger with elastomer boot (2)	Steel roller plunger	Steel roller plunger -40 °C (1)	Retractable steel roller lever plunger	M12 with metal end plunger	M16 with metal end plunger with elastomer boot (1)	M12 with steel roller plunger	Thermoplastic roller lever	Thermoplastic roller lever -40 °C	Steel roller lever	Roller lever with ball bearing mounted roller	Variable length thermoplastic roller lever	"Cat's whisker" (3)

References of modular units (body with male AMP Superseal 1.5 connector and removable terminal block)

2-pole "NC + NO" snap action	ZCMD21AM4 + ZCE10	ZCMD21AM4 + ZCE106	ZCMD21AM4 + ZCE11	ZCMD21AM4 + ZCE02	ZCMD21AM4 + ZCE026	ZCMD21AM4 + ZCE24	ZCMD21AM4 + ZCEF0	ZCMD21AM4 + ZCEG1	ZCMD21AM4 + ZCEF2	ZCMD21AM4 + ZCE01 + ZCY15	ZCMD21AM4 + ZCE016 + ZCY15	ZCMD21AM4 + ZCE01 + ZCY16	ZCMD21AM4 + ZCE01 + ZCY17	ZCMD21AM4 + ZCE01 + ZCY45	ZCMD21AM4 + ZCE06	
2-pole NC + NO break before make, slow break	ZCMD25AM4 + ZCE10	ZCMD25AM4 + ZCE106	ZCMD25AM4 + ZCE11	ZCMD25AM4 + ZCE02	ZCMD25AM4 + ZCE026	ZCMD25AM4 + ZCE24	ZCMD25AM4 + ZCEF0	ZCMD25AM4 + ZCEG1	ZCMD25AM4 + ZCEF2	ZCMD25AM4 + ZCE01 + ZCY15	ZCMD25AM4 + ZCE016 + ZCY15	ZCMD25AM4 + ZCE01 + ZCY16	ZCMD25AM4 + ZCE01 + ZCY17	ZCMD25AM4 + ZCE01 + ZCY45	ZCMD25AM4 + ZCE06	
2-pole NC + NC snap action	ZCMD29AM4 + ZCE10	ZCMD29AM4 + ZCE106	ZCMD29AM4 + ZCE11	ZCMD29AM4 + ZCE02	ZCMD29AM4 + ZCE026	ZCMD29AM4 + ZCE24	ZCMD29AM4 + ZCEF0	ZCMD29AM4 + ZCEG1	ZCMD29AM4 + ZCEF2	ZCMD29AM4 + ZCE01 + ZCY15	ZCMD29AM4 + ZCE016 + ZCY15	ZCMD29AM4 + ZCE01 + ZCY16	ZCMD29AM4 + ZCE01 + ZCY17	ZCMD29AM4 + ZCE01 + ZCY45	ZCMD29AM4 + ZCE06	
Contact operation																
	(A) = cam displacement (P) = positive opening point							(A) = cam displacement (P) = positive opening point							(A) = cam displacement (P) = positive opening point	

Complementary characteristics not shown under general characteristics (see page 51)

Switch actuation	On end	By 30° cam	On end	On end	By 30° cam	By any moving part	
Type of actuation							
Maximum actuation speed	0.5 m/s				0.5 m/s	1.5 m/s	
Mechanical durability	10 million operating cycles					10 million	5 million
Nominal force or torque	For tripping	8.5 N	7 N	2.5 N	8.5 N	0.1 N.m	0.1 N.m
	For positive opening	42.5 N	35 N	12.5 N	42.5 N	0.5 N.m	-
Connection	Male AMP Superseal 1.5 connector						

(1) For use at -40 °C.
(2) Nitrile for indoor use.
(3) Value taken with actuation by moving part at 100 mm from the fixing.

Limit switches

XC Standard range
Miniature design, metal, XCMV
Modular units for mobile equipment

Type of head	Plunger (fixing by the body)							Plunger (fixing by the head)	Rotary (fixing by the body)					Multi-directional	
Type of operator	Metal end plunger	Metal end plunger -40 °C (1)	Metal end plunger with elastomer boot (2)	Steel roller plunger	Steel roller plunger -40 °C (1)	Retractable steel roller lever plunger	M12 with metal end plunger	M16 with metal end plunger with elastomer boot (1)	M12 with steel roller plunger	Thermoplastic roller lever	Thermoplastic roller lever -40 °C	Steel roller lever	Roller lever with ball bearing mounted roller	Variable length thermoplastic roller lever	"Cat's whisker" (3)

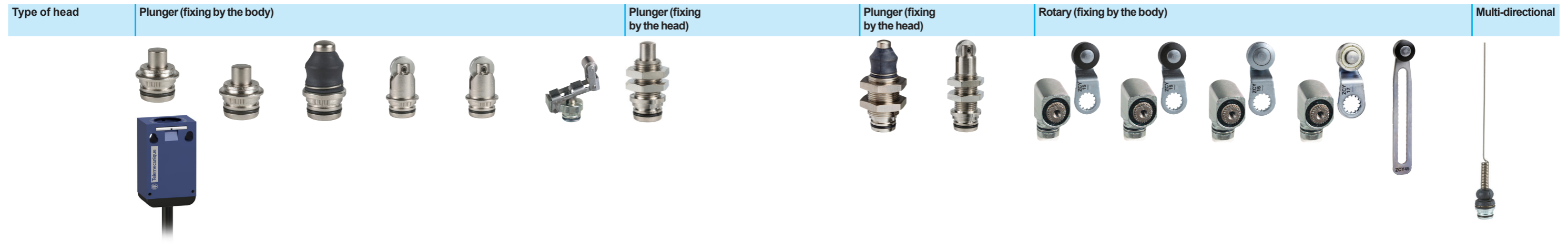
References of modular units (body with male M12 connector and removable terminal block)															
2-pole "NC + NO" snap action	ZCMV21M12 + ZCE10	ZCMV21M12 + ZCE106	ZCMV21M12 + ZCE11	ZCMV21M12 + ZCE02	ZCMV21M12 + ZCE026	ZCMV21M12 + ZCE24	ZCMV21M12 + ZCEF0	ZCMV21M12 + ZCEG1	ZCMV21v + ZCEF2	ZCMV21M12 + ZCE01 + ZCY15	ZCMV21M12 + ZCE016 + ZCY15	ZCMV21M12 + ZCE01 + ZCY16	ZCMV21M12 + ZCE01 + ZCY17	ZCMV21M12 + ZCE01 + ZCY45	ZCMV21M12 + ZCE06
2-pole NC + NO break before make, slow break	ZCMV25M12 + ZCE10	ZCMV25M12 + ZCE106	ZCMV25M12 + ZCE11	ZCMV25M12 + ZCE02	ZCMV25M12 + ZCE026	ZCMV25M12 + ZCE24	ZCMV25M12 + ZCEF0	ZCMV25M12 + ZCEG1	ZCMV25M12 + ZCEF2	ZCMV25M12 + ZCE01 + ZCY15	ZCMV25M12 + ZCE016 + ZCY15	ZCMV25M12 + ZCE01 + ZCY16	ZCMV25M12 + ZCE01 + ZCY17	ZCMV25M12 + ZCE01 + ZCY45	ZCMV25M12 + ZCE06
2-pole NC + NC snap action	ZCMV29M12 + ZCE10	ZCMV29M12 + ZCE106	ZCMV29M12 + ZCE11	ZCMV29M12 + ZCE02	ZCMV29M12 + ZCE026	ZCMV29M12 + ZCE24	ZCMV29M12 + ZCEF0	ZCMV29M12 + ZCEG1	ZCMV29M12 + ZCEF2	ZCMV29M12 + ZCE01 + ZCY15	ZCMV29M12 + ZCE016 + ZCY15	ZCMV29M12 + ZCE01 + ZCY16	ZCMV29M12 + ZCE01 + ZCY17	ZCMV29M12 + ZCE01 + ZCY45	ZCMV29M12 + ZCE06
Contact operation	closed open (A) = cam displacement (P) = positive opening point NC contact with positive opening operation							closed open (A) = cam displacement (P) = positive opening point NC contact with positive opening operation							

Complementary characteristics not shown under general characteristics (see page 51)																			
Switch actuation	On end				By 30° cam				On end				By any moving part						
Type of actuation																			
Maximum actuation speed	0.5 m/s								0.5 m/s				1.5 m/s						
Mechanical durability	10 million operating cycles								10 million operating cycles				10 million						
Nominal force or torque	For tripping				7 N				2.5 N				8.5 N						
	For positive opening				42.5 N				35 N				12.5 N				42.5 N		
Connection	M12 connector																		

(1) For use at -40 °C.
 (2) Nitrile for indoor use.
 (3) Value taken with actuation by moving part at 100 mm from the fixing.

Limit switches

XC Standard range
Miniature design, metal, XCMV
Modular units for mobile equipment



Type of head	Plunger (fixing by the body)							Plunger (fixing by the head)		Rotary (fixing by the body)					Multi-directional
Type of operator	Metal end plunger	Metal end plunger -40 °C (1)	Metal end plunger with elastomer boot (2)	Steel roller plunger	Steel roller plunger -40 °C (1)	Retractable steel roller plunger	M12 with metal end plunger	M16 with metal end plunger with elastomer boot (1)	M12 with steel roller plunger	Thermoplastic roller lever	Thermoplastic roller lever -40 °C	Steel roller lever	Roller lever with ball bearing mounted roller	Variable length thermoplastic roller lever	"Cat's whisker" (3)

References of modular units (pre-cabled body and removable terminal block)															
4-pole 2 NC + 2 NO snap action	ZCMV41L03 + ZCE10	ZCMV41L03 + ZCE106	ZCMV41L03 + ZCE11	ZCMV41L03 + ZCE02	ZCMV41L03 + ZCE026	ZCMV41L03 + ZCE24	ZCMV41L03 + ZCEF0	ZCMV41L03 + ZCEG1	ZCMV41L03 + ZCEF2	ZCMV41L03 + ZCE01 + ZCY15	ZCMV41L03 + ZCE016 + ZCY15	ZCMV41L03 + ZCE01 + ZCY16	ZCMV41L03 + ZCE01 + ZCY17	ZCMV41L03 + ZCE01 + ZCY45	ZCMV41L03 + ZCE06
Contact operation															
	■ closed □ open (A) = cam displacement (P) = positive opening point ⊖ NC contact with positive opening operation							■ closed □ open (A) = cam displacement (P) = positive opening point ⊖ NC contact with positive opening operation		■ closed □ open (A) = cam displacement (P) = positive opening point ⊖ NC contact with positive opening operation					

Complementary characteristics not shown under general characteristics (see page 52)														
Switch actuation	On end				By 30° cam				On end			By any moving part		
Type of actuation														
Maximum actuation speed	0.5 m/s								0.5 m/s			1.5 m/s		
Mechanical durability	10 million operating cycles								10 million operating cycles			10 million		
Nominal force or torque	For tripping: 8.5 N For positive opening: 42.5 N				7 N 35 N				2.5 N 12.5 N			8.5 N 42.5 N		
Connection	PvR cable, length 30 cm													

(1) For use at -40 °C.
(2) Nitrile for indoor use.
(3) Value taken with actuation by moving part at 100 mm from the fixing.

Limit switches

XC Standard range

Miniature design, metal, XCMV

Complete units for mobile equipment

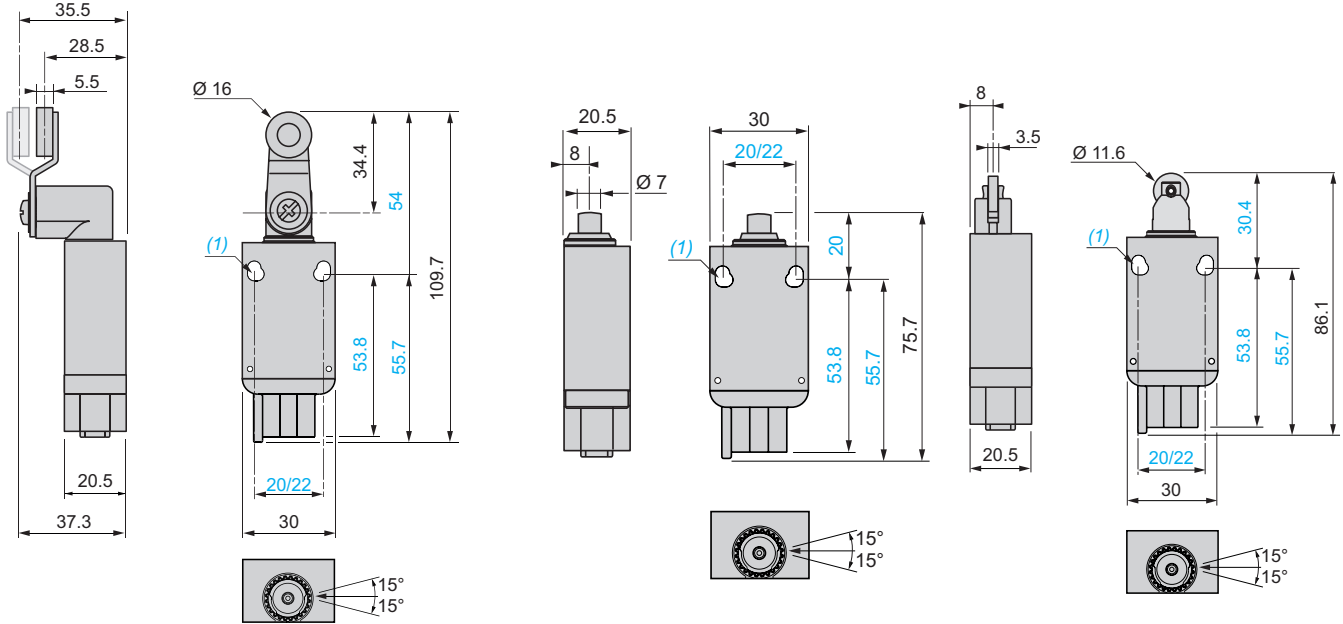
Dimensions

Switches with Deutsch DT04-4P connector

XCMV2115D44, XCMV2515D44

XCMV2110D44, XCMV2510D44

XCMV2102D44, XCMV2502D44

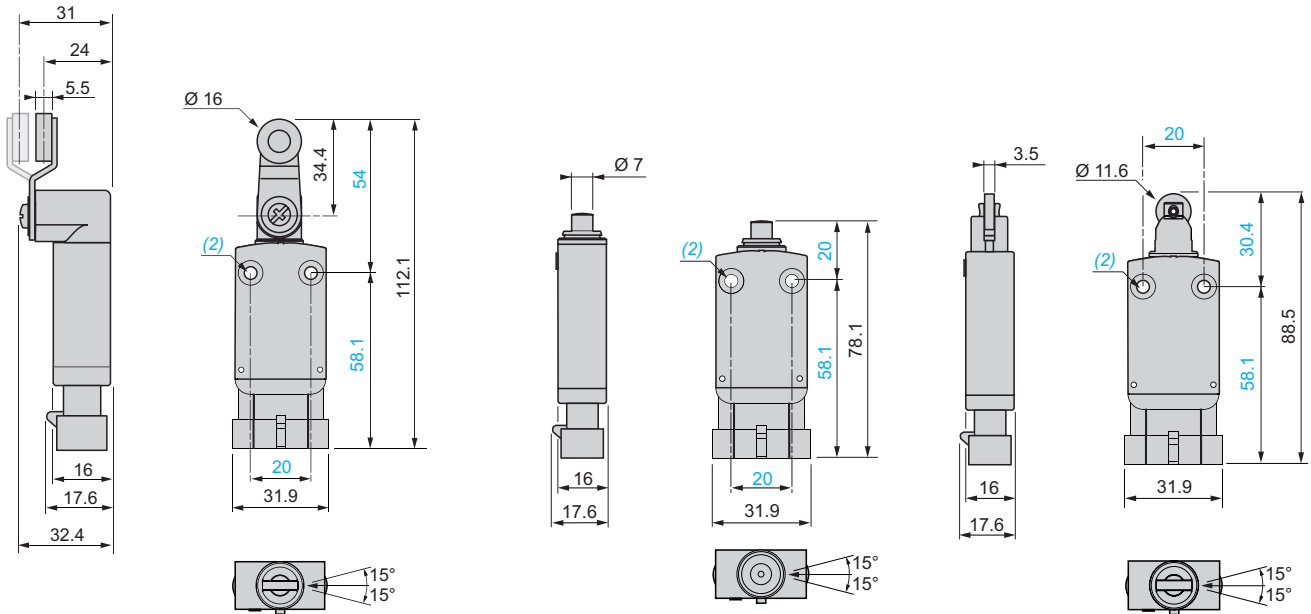


Switches with AMP Superseal 1.5 connector

XCMD2115AM4, XCMD2515AM4

XCMD2110AM4, XCMD2510AM4

XCMD2102AM4, XCMD2502AM4



(1) 2 elongated fixing holes $\varnothing 4.3 \times 6.3$ mm on 22 mm centres, 2 elongated fixing holes $\varnothing 4.3$ on 20 mm centres.
 (2) 2 fixing holes $\varnothing 4.2$ mm, counterbored $\varnothing 8$ mm by 4 mm deep.

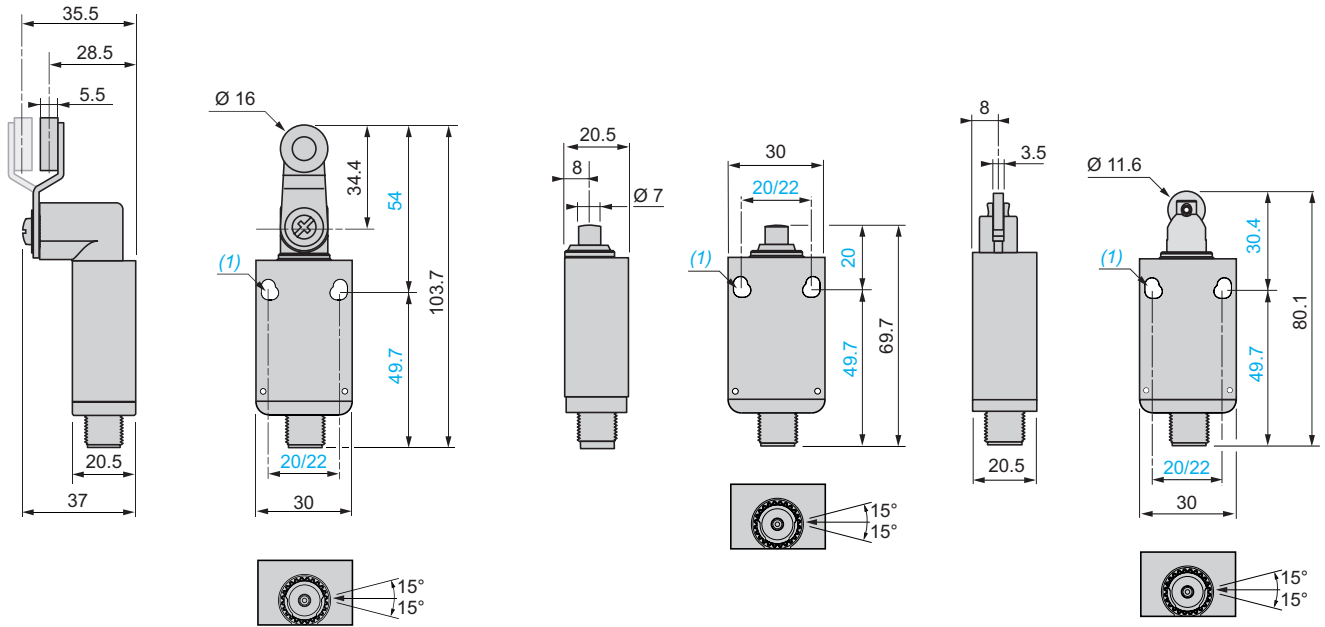
Dimensions (continued)

Switches with M12 connector

XCMV2115M12, XCMV2515M12

XCMV2110M12, XCMV2510M12

XCMV2102M12, XCMV2502M12



(1) 2 elongated fixing holes Ø 4.3 x 6.3 mm on 22 mm centres, 2 elongated fixing holes Ø 4.3 on 20 mm centres.

Connections

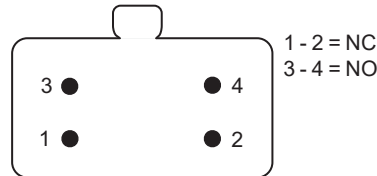
Male AMP Superseal 1.5 connector

XCMV2●●●AM4



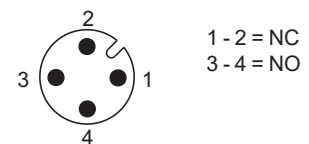
Male Deutsch DT04-4P connector

XCMV2●●●D44



Male M12 connector

XCMV2●●●M12



Limit switches

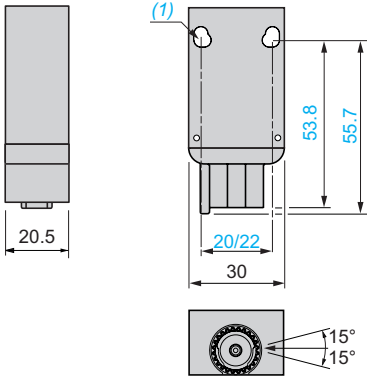
XC Standard range

Miniature design, metal, XCMV

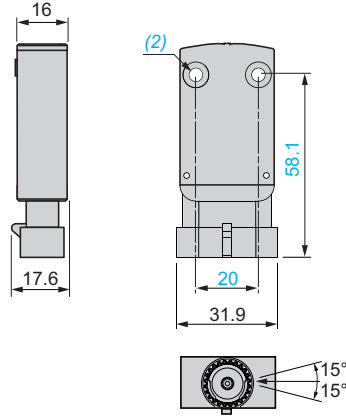
Modular units for mobile equipment

Dimensions of bodies

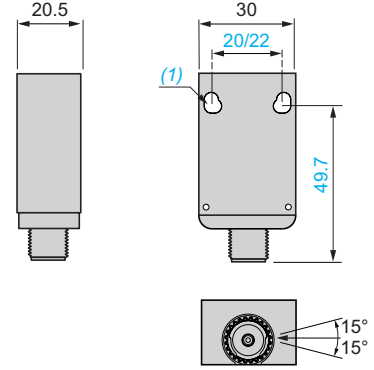
ZCMV2•D44



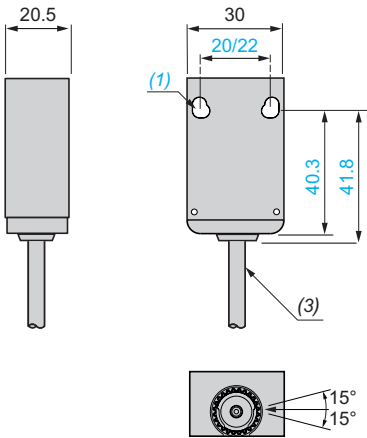
ZCMD2•AM4



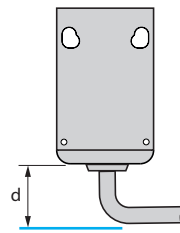
ZCMV2•M12



ZCMV41L03



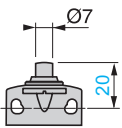
Mounting: distance required for connection



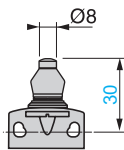
d: min. 20 mm

Dimensions of heads

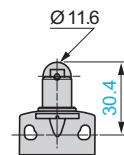
ZCE106, ZCE10



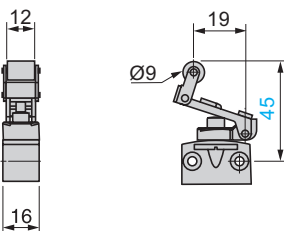
ZCE11



ZCE02, ZCE026



ZCE24



(1) 2 elongated fixing holes $\varnothing 4.3 \times 6.3$ mm on 22 mm centres, 2 elongated fixing holes $\varnothing 4.3$ on 20 mm centres.
 (2) 2 fixing holes $\varnothing 4.2$ mm, counterbored $\varnothing 8$ mm by 4 mm deep.
 (3) External diameter of cable 6.4 mm.

Limit switches

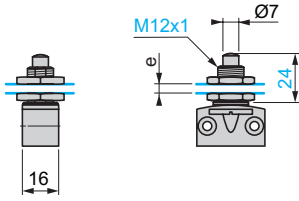
XC Standard range

Miniature design, metal, XCMV

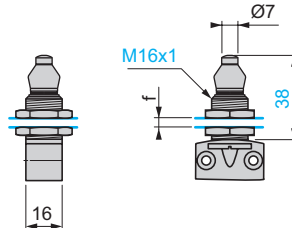
Modular units for mobile equipment

Dimensions of heads (continued)

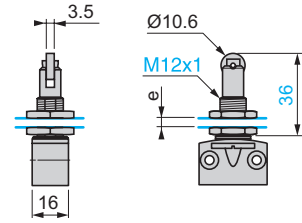
ZCEF0



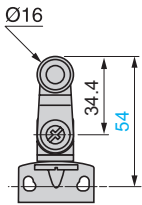
ZCEG1



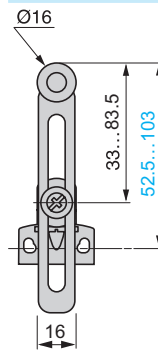
ZCEF2



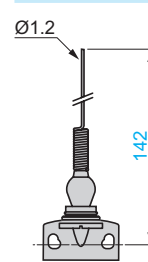
ZCE01 + ZCY15, ZCE01 + ZCY16
or ZCE01 + ZCY17



ZCE01 + ZCY45



ZCE06



e: 8 mm max., panel cut-out Ø 12.5 mm, fixing nut thickness 3.5 mm.
f: 8 mm max., panel cut-out Ø 16.5 mm, fixing nut thickness 3.5 mm.

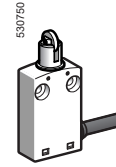
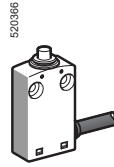
Limit switches

XC Basic range

Miniature design, plastic, XCMN

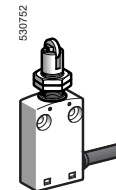
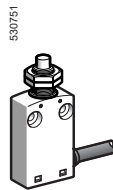
■ XCMN
pre-cabled

□ With head for linear movement (plunger). Fixing by the body



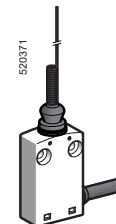
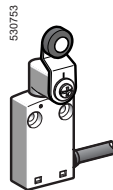
Page 70

□ With head for linear movement (plunger). Fixing by the head



Page 70

□ With head for rotary movement (lever) or multi-directional



Page 71

Environment characteristics		
Conformity to standards	Products	CE, IEC 60947-5-1, EN 60947-5-1, UL 508, CSA C22-2 n° 14, EAC
	Machine assemblies	IEC 60204-1, EN 60204-1
Product certifications		UL, CSA, CCC
Protective treatment	Standard version	"TC"
Ambient air temperature	For operation	- 25...+ 70°C
	For storage	- 40...+ 70°C
Vibration resistance	Conforming to IEC 60068-2-6	5 gn (10...500 Hz)
Shock resistance	Conforming to IEC 60068-2-27	25 gn (18 ms)
Electric shock protection		Class II conforming to IEC 61140 and NF C 20030
Degree of protection		IP 65 conforming to IEC 60529; IK 04 conforming to IEC 62262
Materials	Bodies	Plastic
	Heads	Zamak
Contact block characteristics		
Rated operational characteristics		~ AC-15; B300 (Ue = 240 V, Ie = 1.5 A); Ithe = 6 A
		⋮ DC-13; R300 (Ue = 250 V, Ie = 0.1 A), conforming to IEC 60947-5-1 Appendix A, EN 60947-5-1
Rated insulation voltage		Ui = 400 V degree of pollution 3 conforming to IEC 60947-1 Ui = 300 V conforming to UL 508, CSA C22-2 n° 14
Rated impulse withstand voltage		U imp = 4 kV conforming to IEC 60947-1, IEC 60664
Short-circuit protection		6 A cartridge fuse type gG (gl)

Limit switches

XC Basic range

Miniature design, plastic, XCMN

Pre-cabled

Type of head	Plunger (fixing by the body)				Plunger (fixing by the head)		
Type of operator	Metal end plunger	Steel roller plunger for lateral cam approach	Steel roller plunger for traverse cam approach	Thermoplastic roller lever plunger, horizontal actuation in 1 direction	M12 with metal end plunger	M12 with steel roller plunger for lateral cam approach	M12 with steel roller plunger for traverse cam approach

References	XCMN2110L1	XCMN2102L1	XCMN2103L1	XCMN2121L1	XCMN21F0L1	XCMN21F2L1	XCMN21F3L1
 2-pole NC + NO snap action BK-WH, BU, BN	 1.8 4.2(P) 0.8 5mm	 3.1(A) 7(P) 0 1.4 mm	 3.1(A) 7(P) 0 1.4 mm	 65(A)14(P) 0 2.8 mm	 1.8 4.2(P) 0.8 5mm	 3.1(A) 7(P) 0 1.4 mm	 3.1(A) 7(P) 0 1.4 mm
Weight (kg)	0.080	0.080	0.080	0.090	0.065	0.095	0.095
Contact operation	closed open		(A) = cam displacement (P) = positive opening point		NC contact with positive opening operation		

Characteristics	Plunger (fixing by the body)			Plunger (fixing by the head)		
Switch actuation	On end	By 30° cam		On end	By 30° cam	
Type of actuation						
Maximum actuation speed	0.5 m/s	0.1 m/s		0.5 m/s	0.1 m/s	
Mechanical durability	5 million operating cycles					
Minimum force or torque	For tripping	8.5 N	7 N	2.5 N	8.5 N	7 N
	For positive opening	42.5 N	35 N	12.5 N	42.5 N	35 N
Cabling	PvR cable, 4 x 0.75 mm ² , length 1 metre					

Dimensions	XCMN2110L1	XCMN2102L1, XCMN2103L1	XCMN21F2L1, XCMN21F3L1
	 Ø7, 20, 40, 16, 50, 60, 20, 30, 16	 3.5, Ø11.6, 30.4, 40, 16, 50, 70.4, 20, 30, 16	 3.5, Ø10.6, 36, 88, 16, 52, 30, 16
	 16, 5.5, 20.2, Ø14, 39, 40, 16, 50, 20, 30, 16	 M12x1, Ø7, 24, 52, 30, 16, 76	

(1) 2 fixing holes Ø 4.2 mm, counterbored Ø 8 mm by 4 mm deep.

(2) External diameter 7.5 mm.

e: 8 mm max, panel cut-out Ø 12.5 mm. Fixing nut thickness 3.5 mm.

Type of head	Rotary (fixing by the body)			Multi-directional	
Type of operator	Thermoplastic roller lever	Variable length thermoplastic roller lever	Round thermoplastic roller lever, Ø 6 mm (1)	Spring lever with thermoplastic end (1)	"Cat's whisker" (1)

References	XCMN2115L1	XCMN2145L1	XCMN2159L1	XCMN2107L1	XCMN2106L1
<p>2-pole NC + NO snap action</p>	<p>25° 70°(P) 90° 12°</p>	<p>25° 70°(P) 90° 12°</p>	<p>25° 90° 12°</p>	<p>20° 10°</p>	<p>20° 10°</p>
Weight (kg)	0.100	0.105	0.080	0.085	0.080
Contact operation	<p>(A) = cam displacement (P) = positive opening point</p> <p>⊖ NC contact with positive opening operation</p>				
	(1) Value taken with actuation by moving part at 100 mm from the fixing.				

Characteristics	By 30° cam		By any moving part	
Switch actuation				
Type of actuation				
Maximum actuation speed	1.5 m/s		1 m/s	1 m/s (any direction)
Mechanical durability	5 million operating cycles			
Minimum force or torque	For tripping	0.1 N.m		
	For positive opening	0.5 N.m	-	-
Cabling	PvR cable, 4 x 0.75 mm ² , length 1 metre			

Dimensions	XCMN2115L1	XCMN2159L1	XCMN2107L1
	<p>31, 24, 5.5, Ø16, 34.4, 54, 94, 40, 16, 32.4, 20, 30, (1), (2)</p>	<p>30, Ø6, 232 max., 192 max., 40, 16, 40.5, 20, 30, (1), (2)</p>	<p>168, 128, Ø6.4, 40, 16, 20, 30, (1), (2)</p>
	<p>33, 5.5, Ø16, 33.5...83.5, 53...103, 93...143, 16, 20, 30, (1), (2)</p>	<p>182, Ø1.2, 142, 40, 16, 20, 30, (1), (2)</p>	

(1) 2 fixing holes Ø 4.2 mm, counterbored Ø 8 mm by 4 mm deep.
(2) External diameter 7.5 mm.

Limit switches

XC Standard range

Compact design, plastic, XCKP and XCKT

Compact design, metal, XCKD

■ XCKP, XCKD

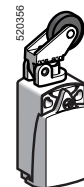
with 1 cable entry

Conforming to CENELEC EN 50047

□ With head for linear movement (plunger). Fixing by the head or by the body

XCKD

XCKP



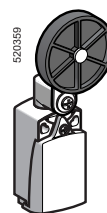
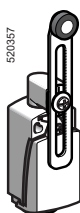
Pages 80 and 84

Pages 74 and 78

□ With head for rotary movement (lever) or multi-directional. Fixing by the body

XCKD

XCKP



Pages 81 and 85

Pages 75 and 79

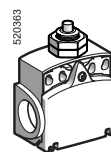
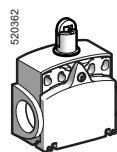
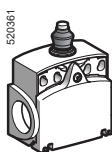
■ XCKT

with 2 cable entries

Tripping/resetting points and fixing centres conform to CENELEC EN 50047

□ With head for linear movement (plunger). Fixing by the head or by the body

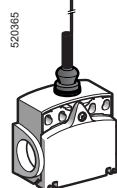
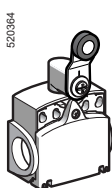
XCKT



Page 86

□ With head for rotary movement (lever) or multi-directional. Fixing by the body

XCKT



Page 86

Environment characteristics

Conformity to standards	Products	IEC 60947-5-1, EN 60947-5-1, UL 508, CSA C22-2 n° 14
	Machine assemblies	IEC 60204-1, EN 60204-1
Product certifications		UL, CSA, CCC
Protective treatment	Standard version	"TC"
Ambient air temperature	For operation	- 25...+ 70°C (- 40...+ 70 °C with ZCE106, ZCE026 and ZCE016 heads)
	For storage	- 40...+ 70°C
Vibration resistance	Conforming to IEC 60068-2-6	25 gn (10...500 Hz) except product with head ZCE24: 20 gn
Shock resistance	Conforming to IEC 60068-2-27	50 gn (11 ms) except head ZCE08: 15 gn (11 ms) and ZCE24: 30 gn (18 ms)
Electric shock protection		Class II conforming to IEC 61140 and NF C 20-030 for XCKP and XCKT Class I conforming to IEC 61140 and NF C 20-030 for XCKD
Degree of protection		IP 66 and IP 67 conforming to IEC 60529; IK 04 conforming to IEC 62262 for XCKP and XCKT, IK 06 conforming to IEC 62262 for XCKD
Repeat accuracy		0.1 mm on the tripping points, with 1 million operating cycles for head with end plunger
Cable entry or connector	Depending on model	Either tapped entry for n° 11 or n° 13 cable gland, tapped ISO M16 x 1.5 or ISO M20 x 1.5, tapped 1/2" NPT or PF 1/2 (G1/2) or M12 connector
Materials		XCKD Zamak bodies and heads, XCKP and XCKT plastic bodies, Zamak heads

Contact block characteristics

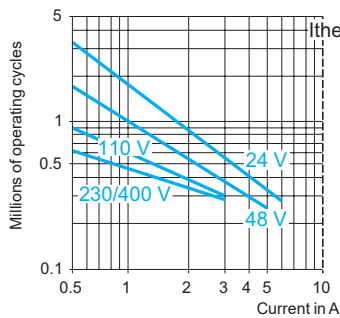
Rated operational characteristics	XE2●P	~AC-15; A300 (Ue = 240 V, Ie = 3 A); Ithe = 10 A ---DC-13; Q300 (Ue = 250 V, Ie = 0.27 A), conforming to IEC 60947-5-1 Appendix A, EN 60947-5-1
	XE3●P	~AC-15; B300 (Ue = 240 V, Ie = 1.5 A); Ithe = 6 A ---DC-13; R300 (Ue = 250 V, Ie = 0.1 A), conforming to IEC 60947-5-1 Appendix A, EN 60947-5-1
Rated insulation voltage	XE2●P	Ui = 500 V degree of pollution 3 conforming to IEC 60947-1 Ui = 300 V conforming to UL 508, CSA C22-2 n° 14
	XE3●P	Ui = 400 V degree of pollution 3 conforming to IEC 60947-1 Ui = 300 V conforming to UL 508, CSA C22-2 n° 14
Rated impulse withstand voltage	XE2●P	U imp = 6 kV conforming to IEC 60947-1, IEC 60664
	XE3●P	U imp = 4 kV conforming to IEC 60947-1, IEC 60664
Positive operation (depending on model)		NC contacts with positive opening operation conforming to IEC 60947-5-1 Appendix K, EN 60947-5-1
Resistance across terminals		≤ 25 mΩ conforming to IEC 60255-7 category 3
Short-circuit protection	XE2●P	10 A cartridge fuse type gG (gl)
	XE3●P	6 A cartridge fuse type gG (gl)
Connection (screw clamp terminals)	XE2SP●151 and XE2SP2141	Clamping capacity, min: 1 x 0.34 mm ² , max: 2 x 1.5 mm ²
	XE2NP21●1 and XE2NP31●1	Clamping capacity, min: 1 x 0.5 mm ² , max: 2 x 2.5 mm ²
	XE3NP and XE3SP	Clamping capacity, min: 1 x 0.34 mm ² , max: 1 x 1 mm ² or 2 x 0.75 mm ²
Minimum actuation speed (for head with end plunger)		XE2SP●151, XE2SP2141 and XE3SP: 0.01 m/minute
		XE2NP21●1, XE2NP31●1 and XE3NP: 6 m/minute

Electrical durability

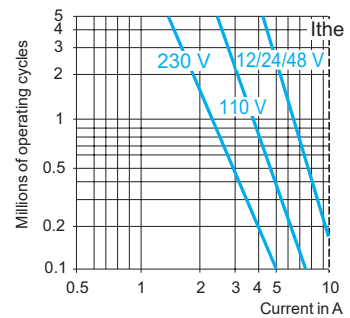
- Conforming to IEC 60947-5-1 Appendix C
- Utilisation categories AC-15 and DC-13
- Maximum operating rate: 3600 operating cycles/hour
- Load factor: 0.5

AC supply
50/60 Hz ~
mm. inductive circuit

XE2SP●151, XE2SP2141



XE2NP21●1, XE2NP31●1



DC supply ---

Power broken in W for 5 million operating cycles.

Voltage	V	24	48	120
mm	W	10	7	4

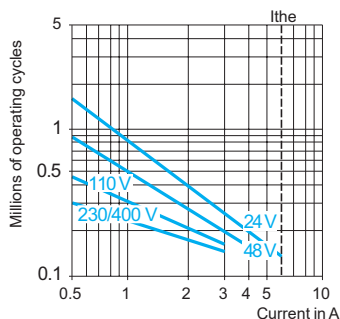
Power broken in W for 5 million operating cycles.

Voltage	V	24	48	120
mm	W	13	9	7

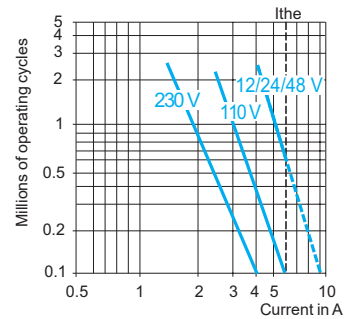
For XE2SP●151 on ~ or ---, NC and NO contacts simultaneously loaded to the values shown with reverse polarity.

AC supply
50/60 Hz ~
mm. inductive circuit

XE3SP●●●●



XE3NP●●●●



DC supply ---

Power broken in W for 5 million operating cycles.

Voltage	V	24	48	120
mm	W	3	2	1







Power broken in W for 5 million operating cycles.


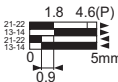
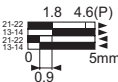

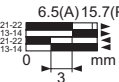
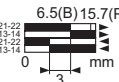
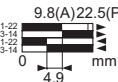

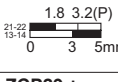
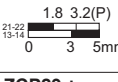
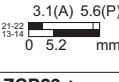
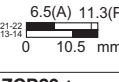
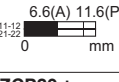
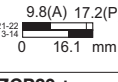
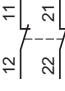
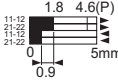
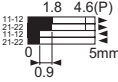
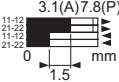
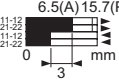
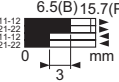
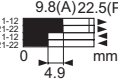

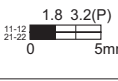
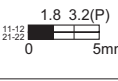
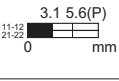
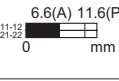
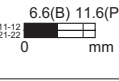
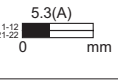
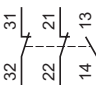
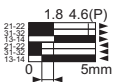
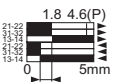

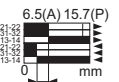
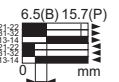
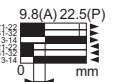
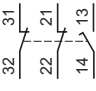
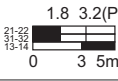
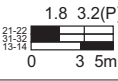
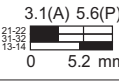

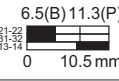
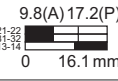
Voltage	V	24	48	120
mm	W	4	3	2

Limit switches

XC Standard range




Compact design, plastic, XCKP
Complete switches with 1 cable entry

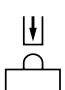
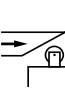
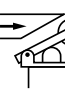


Type of head	Plunger (fixing by the body)					
	Form B (1)		Form C (1)		Form E (1)	
						
Type of operator	Metal end plunger	Metal end plunger with elastomer boot	Steel roller plunger	Thermoplastic roller lever plunger, horizontal actuation in 1 direction	Thermoplastic roller lever plunger, vertical actuation in 1 direction	Thermoplastic roller lever plunger, horiz. or vert. actuation in 1 direction

References of complete switches with 1 ISO M16 x 1.5 cable entry (2)							
	2-pole NC + NO snap action (XE2SP2151)	XCKP2110P16 	XCKP2111P16 	XCKP2102P16 	XCKP2121P16 	XCKP2127P16 	XCKP2128P16 
	2-pole NC + NO break before make, slow break (XE2NP2151)	XCKP2510P16 	XCKP2511P16 	XCKP2502P16 	XCKP2521P16 	XCKP2527P16 	XCKP2528P16 
	2-pole NC + NC snap action (XE2SP2141)	ZCP29 + ZCPEP16 + ZCE10 	ZCP29 + ZCPEP16 + ZCE11 	ZCP29 + ZCPEP16 + ZCE02 	ZCP29 + ZCPEP16 + ZCE21 	ZCP29 + ZCPEP16 + ZCE27 	ZCP29 + ZCPEP16 + ZCE28 
	2-pole NC + NC simultaneous, slow break (XE2NP2141)	ZCP27 + ZCPEP16 + ZCE10 	ZCP27 + ZCPEP16 + ZCE11 	ZCP27 + ZCPEP16 + ZCE02 	ZCP27 + ZCPEP16 + ZCE21 	ZCP27 + ZCPEP16 + ZCE27 	ZCP27 + ZCPEP16 + ZCE28 
	3-pole NC + NC + NO snap action (XE3SP2141)	ZCP39 + ZCPEP16 + ZCE10 	ZCP39 + ZCPEP16 + ZCE11 	ZCP39 + ZCPEP16 + ZCE02 	ZCP39 + ZCPEP16 + ZCE21 	ZCP39 + ZCPEP16 + ZCE27 	ZCP39 + ZCPEP16 + ZCE28 
	3-pole NC + NC + NO break before make, slow break (XE3NP2141)	ZCP37 + ZCPEP16 + ZCE10 	ZCP37 + ZCPEP16 + ZCE11 	ZCP37 + ZCPEP16 + ZCE02 	ZCP37 + ZCPEP16 + ZCE21 	ZCP37 + ZCPEP16 + ZCE27 	ZCP37 + ZCPEP16 + ZCE28 
Weight (kg)		0.090	0.090	0.095	0.105	0.100	0.105

References of complete switches with 1 entry for n° 11 cable gland

For an entry tapped for a n° 11 cable gland, replace P16 in the reference by G11. Example: XCKP2110P16 becomes XCKP2110G11 or ZCPEP16 becomes ZCEG11.

Contact operation	 closed	 open	(A) (B) = cam displacement	(P) = positive opening point	 NC contact with positive opening operation
-------------------	--	--	----------------------------	------------------------------	--





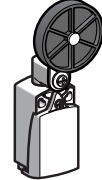
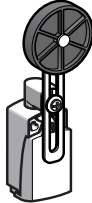

Characteristics	
Switch actuation	On end
Type of actuation	By 30° cam
	
	
	
	
	
Maximum actuation speed	0.5 m/s
Mechanical durability (in millions of operating cycles)	15
Minimum force or torque	15 N
For tripping	15 N
For positive opening	45 N
Cable entry (3)	1 entry tapped M16 x 1.5 mm for ISO cable gland, clamping capacity 4 to 8 mm

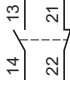
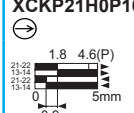

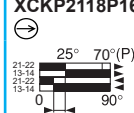
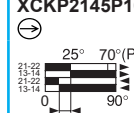
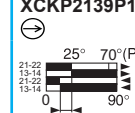
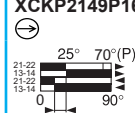

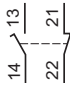
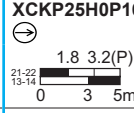
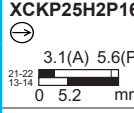
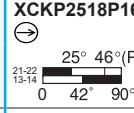
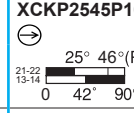
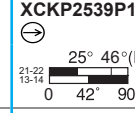
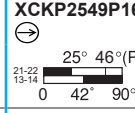
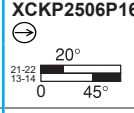
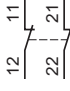

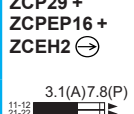


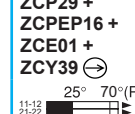
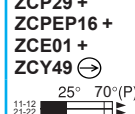

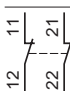
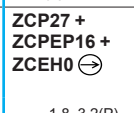
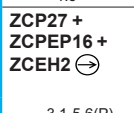
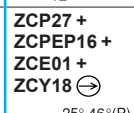
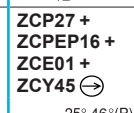
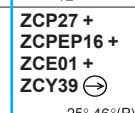
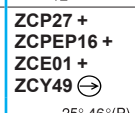
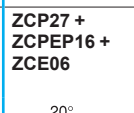
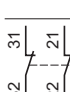
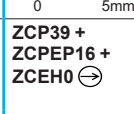
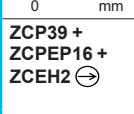
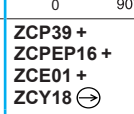
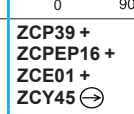
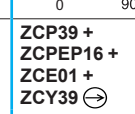
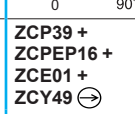
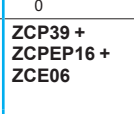
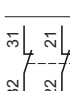
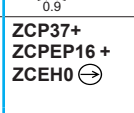
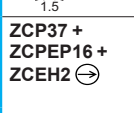
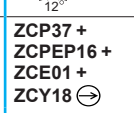
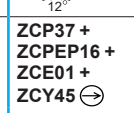
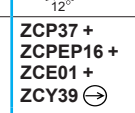
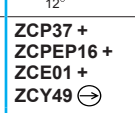
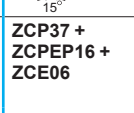
(1) Form conforming to EN 50047, see page 24.

(2) Switches with gold contacts or eyelet type connections: please consult our Customer Care Centre.

Limit switches




XC Standard range
Compact design, plastic, XCKP
Complete switches with 1 cable entry

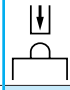

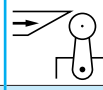
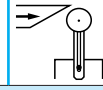
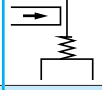
Type of head	Plunger (fixing by the head)	Rotary (fixing by the body)					Multi-directional
		Form A (1)					
							
Type of operator	M18 with metal end plunger	M18 with steel roller plunger	Thermoplastic roller lever	Variable length thermoplastic roller lever	Thermoplastic roller lever, Ø 50 mm	Variable length thermoplastic roller lever, Ø 50 mm	"Cat's whisker" (2)

References of complete switches with 1 ISO M16 x 1.5 cable entry (3)								
	2-pole NC + NO snap action (XE2SP2151)	XCKP21H0P16 	XCKP21H2P16 	XCKP2118P16 	XCKP2145P16 	XCKP2139P16 	XCKP2149P16 	XCKP2106P16 
	2-pole NC + NO break before make, slow break (XE2NP2151)	XCKP25H0P16 	XCKP25H2P16 	XCKP2518P16 	XCKP2545P16 	XCKP2539P16 	XCKP2549P16 	XCKP2506P16 
	2-pole NC + NC snap action (XE2SP2141)	ZCP29 + ZCPEP16 + ZCEH0 	ZCP29 + ZCPEP16 + ZCEH2 	ZCP29 + ZCPEP16 + ZCE01 + ZCY18 	ZCP29 + ZCPEP16 + ZCE01 + ZCY45 	ZCP29 + ZCPEP16 + ZCE01 + ZCY39 	ZCP29 + ZCPEP16 + ZCE01 + ZCY49 	ZCP29 + ZCPEP16 + ZCE06 
	2-pole NC + NC simultaneous, slow break (XE2NP2141)	ZCP27 + ZCPEP16 + ZCEH0 	ZCP27 + ZCPEP16 + ZCEH2 	ZCP27 + ZCPEP16 + ZCE01 + ZCY18 	ZCP27 + ZCPEP16 + ZCE01 + ZCY45 	ZCP27 + ZCPEP16 + ZCE01 + ZCY39 	ZCP27 + ZCPEP16 + ZCE01 + ZCY49 	ZCP27 + ZCPEP16 + ZCE06 
	3-pole NC + NC + NO snap action (XE3SP2141)	ZCP39 + ZCPEP16 + ZCEH0 	ZCP39 + ZCPEP16 + ZCEH2 	ZCP39 + ZCPEP16 + ZCE01 + ZCY18 	ZCP39 + ZCPEP16 + ZCE01 + ZCY45 	ZCP39 + ZCPEP16 + ZCE01 + ZCY39 	ZCP39 + ZCPEP16 + ZCE01 + ZCY49 	ZCP39 + ZCPEP16 + ZCE06 
	3-pole NC + NC + NO break before make, slow break (XE3NP2141)	ZCP37 + ZCPEP16 + ZCEH0 	ZCP37 + ZCPEP16 + ZCEH2 	ZCP37 + ZCPEP16 + ZCE01 + ZCY18 	ZCP37 + ZCPEP16 + ZCE01 + ZCY45 	ZCP37 + ZCPEP16 + ZCE01 + ZCY39 	ZCP37 + ZCPEP16 + ZCE01 + ZCY49 	ZCP37 + ZCPEP16 + ZCE06 
Weight (kg)	0.130	0.130	0.135	0.145	0.145	0.155	0.085	

References of complete switches with 1 entry for n° 11 cable gland

For an entry tapped for a n° 11 cable gland, replace P16 in the reference by G11. Example: XCKP21H0P16 becomes XCKP21H0G11 or ZCPEP16 becomes ZCPEG11.

Contact operation  closed (A) = cam displacement  NC contact with positive opening operation
 open (P) = positive opening point

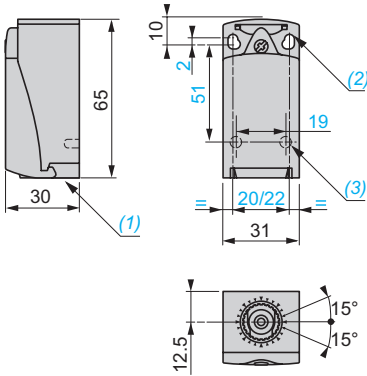
Characteristics					
Switch actuation	On end	By 30° cam			By any moving part
Type of actuation					
Maximum actuation speed	0.5 m/s	1.5 m/s			1 m/s (any direct.)
Mechanical durability	10 million operating cycles				5 million
Minimum force or torque	For tripping For positive opening	15 N 45 N	10 N 36 N	0.1 N.m 0.25 N.m	0.13 N.m -
Cable entry	1 entry tapped M16 x 1.5 mm for ISO cable gland, clamping capacity 4 to 8 mm				

(1) Form conforming to EN 50047, see page 24.
 (2) Value taken with actuation by moving part at 100 mm from the fixing.
 (3) Switches with gold contacts or eyelet type connections: please consult our Customer Care Centre.

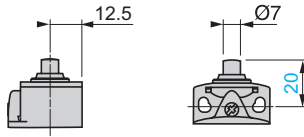
Limit switches

XC Standard range
Compact design, plastic, XCKP
Complete switches with 1 cable entry

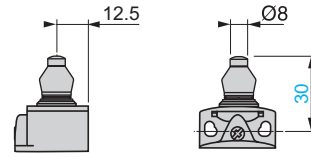
ZCP2● + ZCPEP16/ZCP3● + ZCPEP16



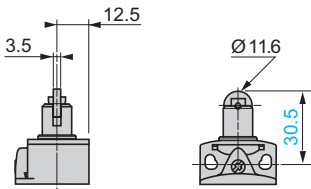
ZCE10



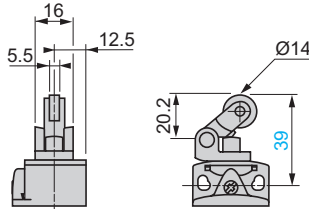
ZCE11



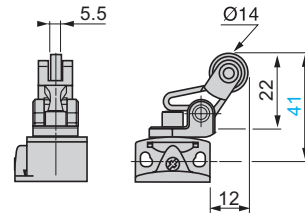
ZCE02



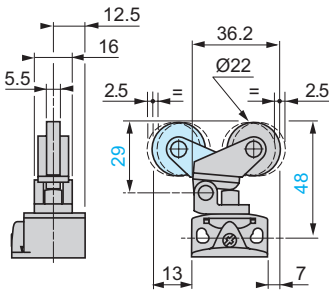
ZCE21



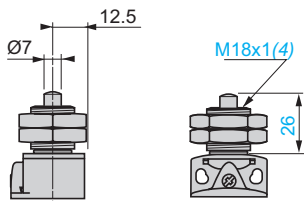
ZCE27



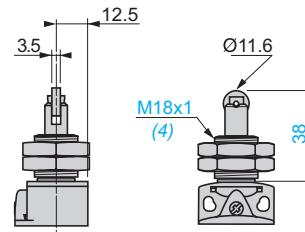
ZCE28



ZCEH0



ZCEH2



- (1) Tapped entry for ISO M16 x 1.5 or Pg 11 cable gland.
 (2) 2 elongated holes Ø 4.3 x 6.3 mm on 22 mm centres, 2 holes Ø 4.3 on 20 mm centres.
 (3) 2 x Ø 3 holes for support studs, depth 4 mm.
 (4) Fixing nut thickness 3.5 mm.

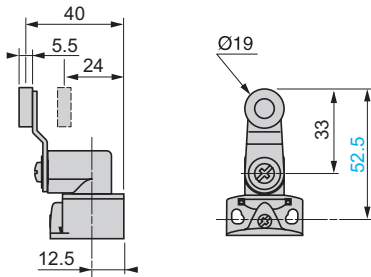
Limit switches

XC Standard range

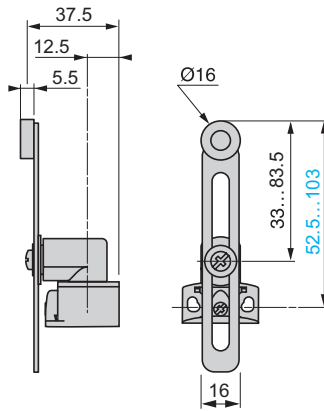
Compact design, plastic, XCKP

Complete switches with 1 cable entry

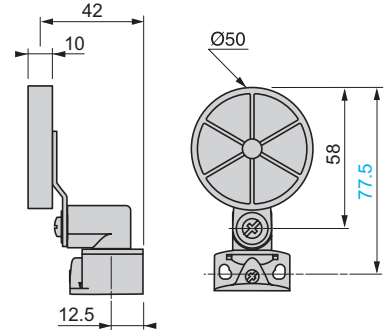
ZCE01 + ZCY18



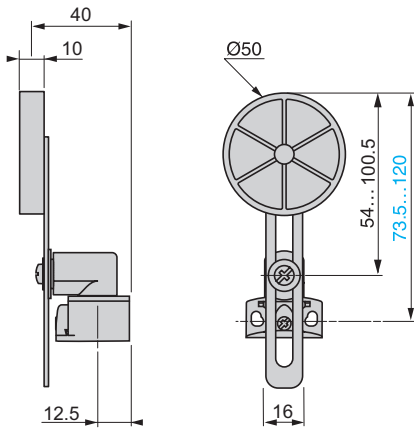
ZCE01 + ZCY45



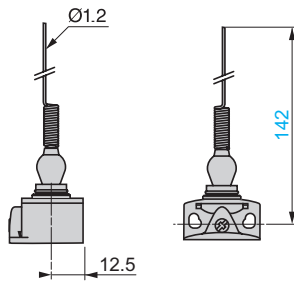
ZCE01 + ZCY39



ZCE01 + ZCY49



ZCE06



Limit switches

XC Standard range
Compact design, plastic, XCKP
M12 connector

Type of head	Plunger (fixing by the body)					
	Form B (1)		Form C (1)	Form E (1)		
Type of operator	Metal end plunger	Metal end plunger with elastomer boot (2)	Steel roller plunger	Thermoplastic roller lever plunger, horizontal actuation in 1 direction	Thermoplastic roller lever plunger, vertical actuation in 1 direction	Thermoplastic roller lever plunger, horiz. or vert. actuation in 1 direction

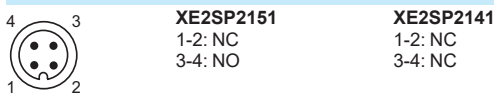
References						
2-pole NC + NO snap action (XE2SP2151)	XCKP2110M12	XCKP2111M12	XCKP2102M12	XCKP2121M12	XCKP2127M12	XCKP2128M12
2-pole NC + NC snap action (XE2SP2141)	ZCP29M12 + ZCE10	ZCP29M12 + ZCE11	ZCP29M12 + ZCE02	ZCP29M12 + ZCE21	ZCP29M12 + ZCE27	ZCP29M12 + ZCE28
Weight (kg)	0.100	0.100	0.100	0.110	0.110	0.110
Contact operation	closed open		(A) (B) = cam displacement (P) = positive opening point		NC contact with positive opening operation	

(1) Form conforming to EN 50047, see page 24.
(2) Nitrile for indoor use.

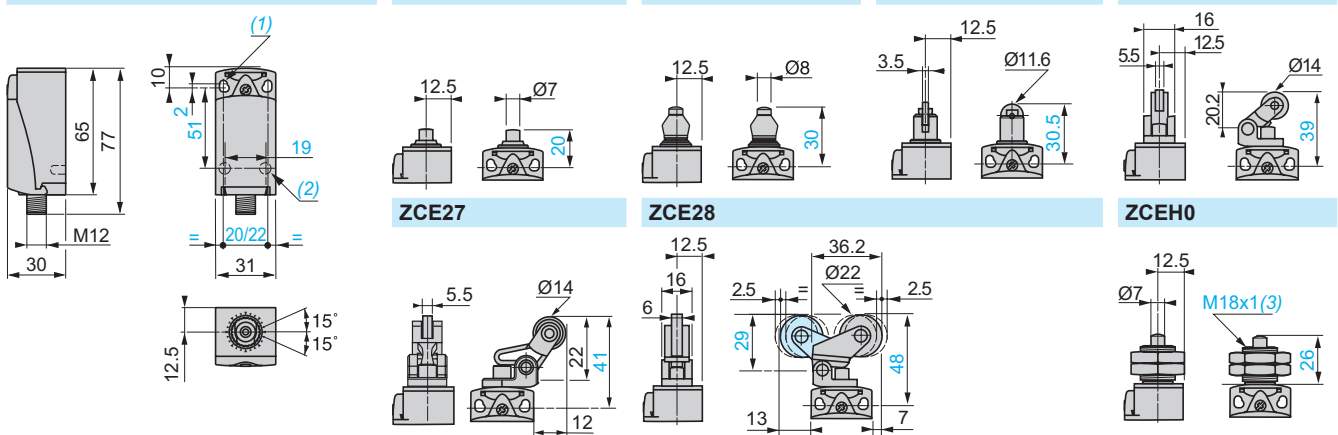
Characteristics			
Switch actuation	On end	By 30° cam	
Type of actuation			
Maximum actuation speed	0.5 m/s	1 m/s	
Mechanical durability (in millions of operating cycles)	15	10	15
Minimum force or torque	For tripping: 15 N For positive opening: 45 N	12 N 36 N	6 N 18 N
Connection	M12 connector, U _i = 250 V, I _e = 3 A maximum, I _{th} = 3 A		

Connections

M12 connector



Dimensions



(1) 2 elongated holes $\varnothing 4.3 \times 6.3$ mm on 22 mm centres, 2 holes $\varnothing 4.3$ on 20 mm centres.
(2) $2 \times \varnothing 3$ holes for support studs, depth 4 mm.
(3) Fixing nut thickness 3.5 mm.

Limit switches

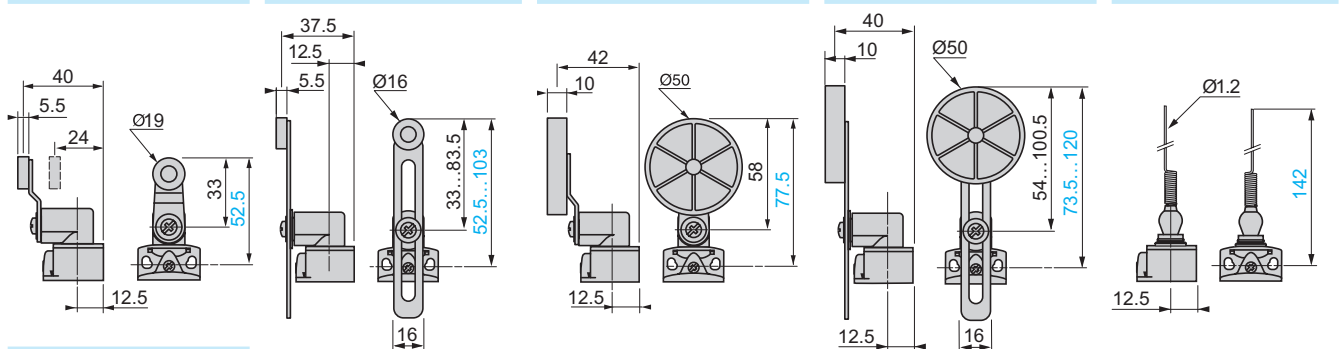
XC Standard range
Compact design, plastic, XCKP
M12 connector

Type of head	Plunger (fixing by the head)	Rotary (fixing by the body)					Multi-directional
		Form A (1)					
Type of operator	M18 with metal end plunger	M18 with steel roller plunger	Thermoplastic roller lever	Variable length thermoplastic roller lever	Thermoplastic roller lever, Ø 50 mm	Variable length thermoplastic roller lever, Ø 50 mm	"Cat's whisker" (2)

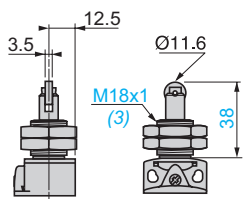
References								
2-pole NC + NO snap action (XE2SP2151)		XCKP21H0M12 	XCKP21H2M12 	XCKP2118M12 	XCKP2145M12 	XCKP2139M12 	XCKP2149M12 	XCKP2106M12
	2-pole NC + NC snap action (XE2SP2141)		ZCP29M12 + ZCEH0 	ZCP29M12 + ZCEH2 	ZCP29M12 + ZCE01 + ZCY18 	ZCP29M12 + ZCE01 + ZCY45 	ZCP29M12 + ZCE01 + ZCY39 	ZCP29M12 + ZCE01 + ZCY49
Weight (kg)		0.140	0.140	0.140	0.150	0.155	0.160	0.090
Contact operation	closed open		(A) = cam displacement (P) = positive opening point		NC contact with positive opening operation			
(1) Form conforming to EN 50047, see page 24. (2) Value taken with actuation by moving part at 100 mm from the fixing.								

Characteristics					
Switch actuation	On end	By 30° cam			By any moving part
Type of actuation					
Maximum actuation speed	0.5 m/s	1.5 m/s			1 m/s (any direct.)
Mechanical durability (in millions of operating cycles)	10				5
Minimum force or torque	For tripping	15 N	10 N	0.1 N.m	0.13 N.m
	For positive opening	45 N	36 N	0.25 N.m	—
Connection	M12 connector, U _i = 250 V, I _e = 3 A maximum, I _{th} = 3 A				

Dimensions



ZCEH2



(3) Fixing nut thickness 3.5 mm.

Limit switches

XC Standard range

Compact design, metal, XCKD
Complete switches with 1 cable entry

Type of head	Plunger (fixing by the body)					
	Form B (1)		Form C (1)		Form E (1)	
Type of operator	Metal end plunger	Metal end plunger with elastomer boot (2)	Steel roller plunger	Thermoplastic roller lever plunger, horizontal actuation in 1 direction	Thermoplastic roller lever plunger, vertical actuation in 1 direction	Thermoplastic roller lever plunger, horiz. or vert. actuation in 1 direction

References of complete switches with 1 ISO M16 x 1.5 cable entry (3)

	2-pole NC + NO snap action (XE2SP2151)	XCKD2110P16 	XCKD2111P16 	XCKD2102P16 	XCKD2121P16 	XCKD2127P16 	XCKD2128P16
	2-pole NC + NO break before make, slow break (XE2NP2151)	XCKD2510P16 	XCKD2511P16 	XCKD2502P16 	XCKD2521P16 	XCKD2527P16 	XCKD2528P16
	2-pole NC + NC snap action (XE2SP2141)	ZCD29 + ZCDEP16 + ZCE10 	ZCD29 + ZCDEP16 + ZCE11 	ZCD29 + ZCDEP16 + ZCE02 	ZCD29 + ZCDEP16 + ZCE21 	ZCD29 + ZCDEP16 + ZCE27 	ZCD29 + ZCDEP16 + ZCE28
	2-pole NC + NC simultaneous, slow break (XE2NP2141)	ZCD27 + ZCDEP16 + ZCE10 	ZCD27 + ZCDEP16 + ZCE11 	ZCD27 + ZCDEP16 + ZCE02 	ZCD27 + ZCDEP16 + ZCE21 	ZCD27 + ZCDEP16 + ZCE27 	ZCD27 + ZCDEP16 + ZCE28
	3-pole NC + NC + NO snap action (XE3SP2141)	ZCD39 + ZCDEP16 + ZCE10 	ZCD39 + ZCDEP16 + ZCE11 	ZCD39 + ZCDEP16 + ZCE02 	ZCD39 + ZCDEP16 + ZCE21 	ZCD39 + ZCDEP16 + ZCE27 	ZCD39 + ZCDEP16 + ZCE28
	3-pole NC + NC + NO break before make, slow break (XE3NP2141)	ZCD37 + ZCDEP16 + ZCE10 	ZCD37 + ZCDEP16 + ZCE11 	ZCD37 + ZCDEP16 + ZCE02 	ZCD37 + ZCDEP16 + ZCE21 	ZCD37 + ZCDEP16 + ZCE27 	ZCD37 + ZCDEP16 + ZCE28
Weight (kg)		0.180	0.180	0.185	0.195	0.190	0.195

References of complete switches with 1 entry for n° 11 cable gland

For an entry tapped for a n° 11 cable gland, replace P16 in the reference by G11. Example: XCKD2110P16 becomes XCKD2110G11 or ZCDEP16 becomes ZCDEG11.

Contact operation closed open (A) (B) = cam displacement (P) = positive opening point NC contact with positive opening operation

Characteristics						
Switch actuation	On end	By 30° cam				
Type of actuation						
Maximum actuation speed	0.5 m/s	1 m/s				
Mechanical durability (in millions of operating cycles)	15	10				
Minimum force or torque	For tripping 15 N For positive opening 45 N	12 N		6 N		
Cable entry	1 entry tapped M16 x 1.5 mm for ISO cable gland, clamping capacity 4 to 8 mm					

(1) Form conforming to EN 50047, see page 24.

(2) Nitrile for indoor use.

(3) Switches with gold contacts or eyelet type connections: please consult our Customer Care Centre.

Limit switches

XC Standard range

Compact design, metal, XCKD
Complete switches with 1 cable entry

Type of head	Plunger (fixing by the head)	Rotary (fixing by the body)					Multi-directional
		Form A (1)					
Type of operator	M18 with metal end plunger	M18 with steel roller plunger	Thermoplastic roller lever	Variable length thermoplastic roller lever	Thermoplastic roller lever, Ø 50 mm	Variable length thermoplastic roller lever, Ø 50 mm	"Cat's whisker" (2)

References of complete switches with 1 ISO M16 x 1.5 cable entry (3)								
	2-pole NC + NO snap action (XE2SP2151)	XCKD21H0P16 	XCKD21H2P16 	XCKD2118P16 	XCKD2145P16 	XCKD2139P16 	XCKD2149P16 	XCKD2106P16
	2-pole NC + NO break before make, slow break (XE2NP2151)	XCKD25H0P16 	XCKD25H2P16 	XCKD2518P16 	XCKD2545P16 	XCKD2539P16 	XCKD2549P16 	XCKD2506P16
	2-pole NC + NC snap action (XE2SP2141)	ZCD29 + ZCDEP16 + ZCEH0 	ZCD29 + ZCDEP16 + ZCEH2 	ZCD29 + ZCDEP16 + ZCE01 + ZCY18 	ZCD29 + ZCDEP16 + ZCE01 + ZCY45 	ZCD29 + ZCDEP16 + ZCE01 + ZCY39 	ZCD29 + ZCDEP16 + ZCE01 + ZCY49 	ZCD29 + ZCDEP16 + ZCE06
	2-pole NC + NC simultaneous, slow break (XE2NP2141)	ZCD27 + ZCDEP16 + ZCEH0 	ZCD27 + ZCDEP16 + ZCEH2 	ZCD27 + ZCDEP16 + ZCE01 + ZCY18 	ZCD27 + ZCDEP16 + ZCE01 + ZCY45 	ZCD27 + ZCDEP16 + ZCE01 + ZCY39 	ZCD27 + ZCDEP16 + ZCE01 + ZCY49 	ZCD27 + ZCDEP16 + ZCE06
	3-pole NC + NC + NO snap action (XE3SP2141)	ZCD39 + ZCDEP16 + ZCEH0 	ZCD39 + ZCDEP16 + ZCEH2 	ZCD39 + ZCDEP16 + ZCE01 + ZCY18 	ZCD39 + ZCDEP16 + ZCE01 + ZCY45 	ZCD39 + ZCDEP16 + ZCE01 + ZCY39 	ZCD39 + ZCDEP16 + ZCE01 + ZCY49 	ZCD39 + ZCDEP16 + ZCE06
	3-pole NC + NC + NO break before make, slow break (XE3NP2141)	ZCD37 + ZCDEP16 + ZCEH0 	ZCD37 + ZCDEP16 + ZCEH2 	ZCD37 + ZCDEP16 + ZCE01 + ZCY18 	ZCD37 + ZCDEP16 + ZCE01 + ZCY45 	ZCD37 + ZCDEP16 + ZCE01 + ZCY39 	ZCD37 + ZCDEP16 + ZCE01 + ZCY49 	ZCD37 + ZCDEP16 + ZCE06
Weight (kg)	0.220	0.220	0.225	0.235	0.235	0.245	0.175	

References of complete switches with 1 entry for n° 11 cable gland

For an entry tapped for a n° 11 cable gland, replace P16 in the reference by G11. Example: XCKD21H0P16 becomes XCKD21H0G11 or ZCDEP16 becomes ZCDEG11.

Contact operation	closed open	(A) = cam displacement (P) = positive opening point	NC contact with positive opening operation
Characteristics			
Switch actuation	On end	By 30° cam	By any moving part
Type of actuation			
Maximum actuation speed	0.5 m/s	1.5 m/s	1 m/s (any direct.)
Mechanical durability	10 million operating cycles		
Minimum force or torque	For tripping: 15 N For positive opening: 45 N	10 N 36 N	0.1 N.m 0.25 N.m
Cable entry	1 entry tapped M16 x 1.5 mm for ISO cable gland, clamping capacity 4 to 8 mm		

(1) Form conforming to EN 50047, see page 24.

(2) Value taken with actuation by moving part at 100 mm from the fixing.

(3) Switches with gold contacts or eyelet type connections: please consult our Customer Care Centre.

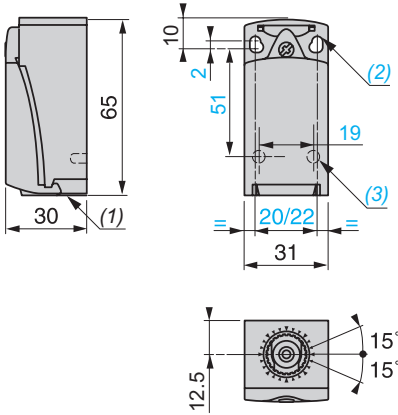
Limit switches

XC Standard range

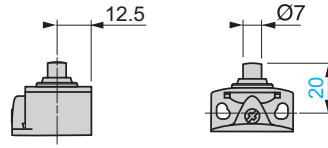
Compact design, metal, XCKD

Complete switches with 1 cable entry

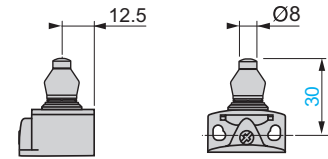
ZCD2● + ZCDEP16/ZCD3● + ZCDEP16



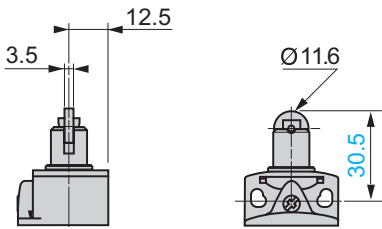
ZCE10



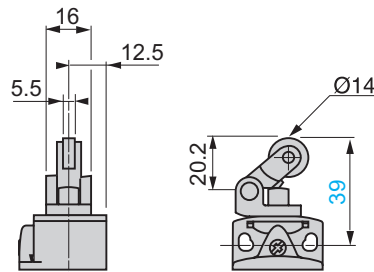
ZCE11



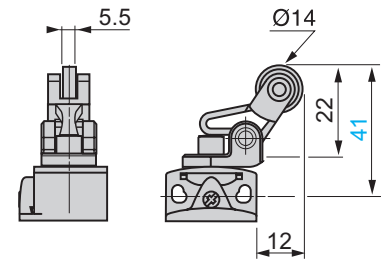
ZCE02



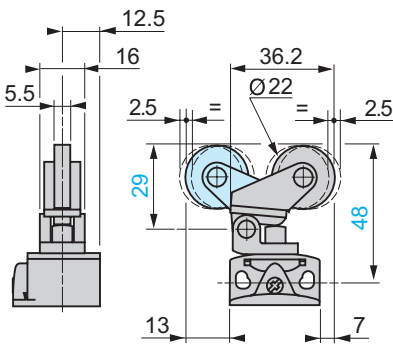
ZCE21



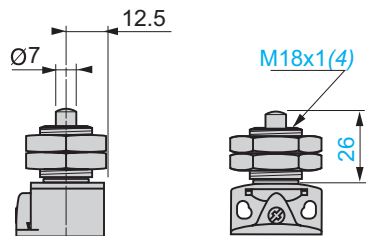
ZCE27



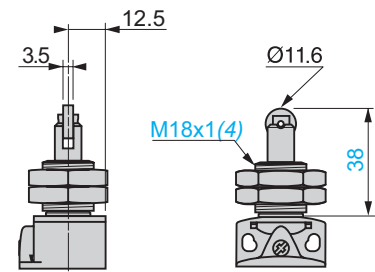
ZCE28



ZCEH0



ZCEH2



(1) Tapped entry for ISO M16 x 1.5 or Pg 11 cable gland.

(2) 2 elongated holes $\varnothing 4.3 \times 6.3$ mm on 22 mm centres, 2 holes $\varnothing 4.3$ on 20 mm centres.

(3) 2 x $\varnothing 3$ holes for support studs, depth 4 mm.

(4) Fixing nut thickness 3.5 mm.

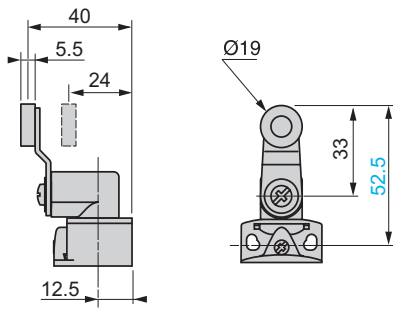
Limit switches

XC Standard range

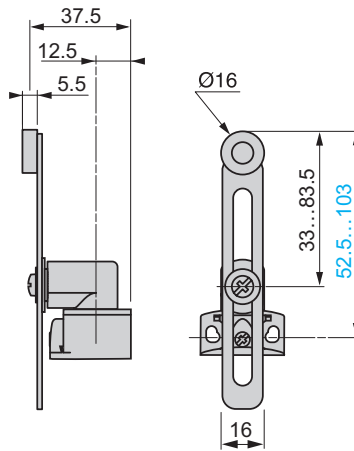
Compact design, metal, XCKD

Complete switches with 1 cable entry

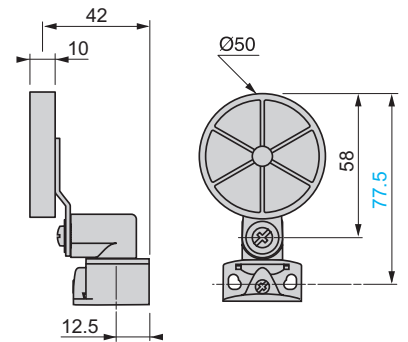
ZCE01 + ZCY18



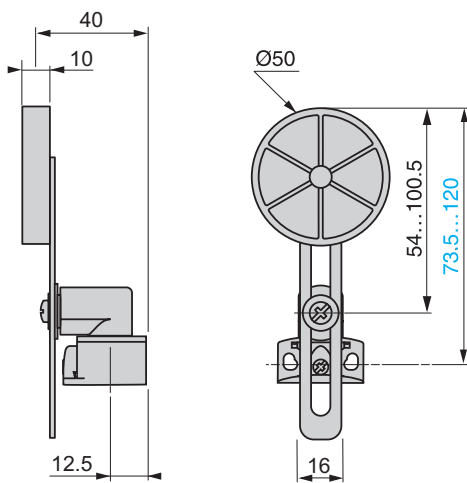
ZCE01 + ZCY45



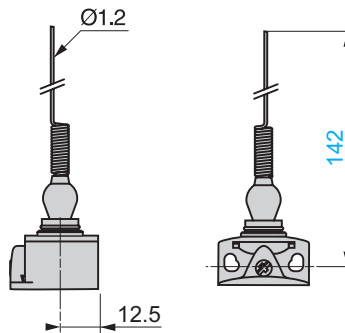
ZCE01 + ZCY39



ZCE01 + ZCY49









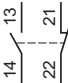


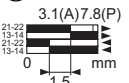
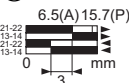
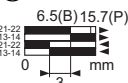
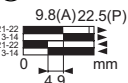
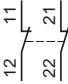
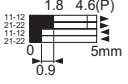
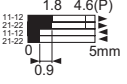
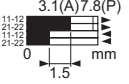
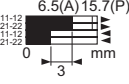
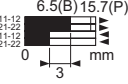
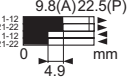



ZCE06

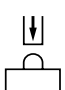
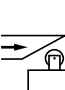



Limit switches

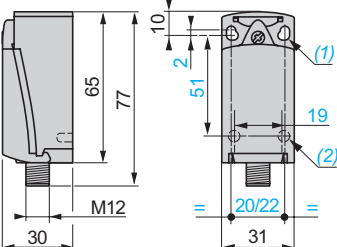
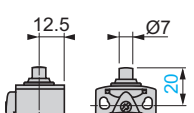
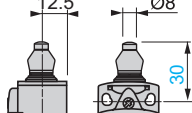
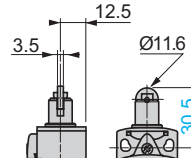
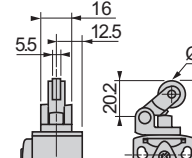
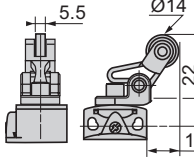
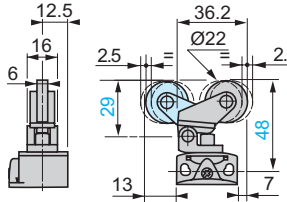
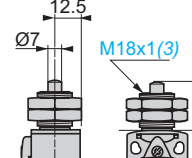
XC Standard range
Compact design, metal, XCKD
M12 connector

Type of head	Plunger (fixing by the body)					
	Form B (1)		Form C (1)	Form E (1)		
						
Type of operator	Metal end plunger	Metal end plunger with elastomer boot (2)	Steel roller plunger	Thermoplastic roller lever plunger, horizontal actuation in 1 direction	Thermoplastic roller lever plunger, vertical actuation in 1 direction	Thermoplastic roller lever plunger, horiz. or vert. actuation in 1 direction

References							
2-pole NC + NO snap action (XE2SP2151)		XCKD2110M12	XCKD2111M12	XCKD2102M12	XCKD2121M12	XCKD2127M12	XCKD2128M12
							
2-pole NC + NC snap action (XE2SP2141)		ZCD29M12 + ZCE10	ZCD29M12 + ZCE11	ZCD29M12 + ZCE02	ZCD29M12 + ZCE21	ZCD29M12 + ZCE27	ZCD29M12 + ZCE28
							
Weight (kg)	0.190	0.190	0.195	0.205	0.200	0.205	0.205
Contact operation	 closed  open			(A) (B) = cam displacement (P) = positive opening point		 NC contact with positive opening operation	
	(1) Form conforming to EN 50047, see page 24.						
	(2) Nitrile for indoor use.						

Characteristics	
Switch actuation	On end
Type of actuation	By 30° cam
	
	
Maximum actuation speed	0.5 m/s
Mechanical durability (in millions of operating cycles)	15
Minimum force or torque	15 N
	For tripping
	For positive opening
Connection	M12 connector, U _i = 60 V, I _e = 4 A maximum, l _{th} = 4 A

Connections	
M12 connector	
	XE2SP2151 XE2SP2141 1-2: NC 1-2: NC 3-4: NO 3-4: NO 5: \perp 5: \perp

Dimensions	
ZCD2●M12	ZCE10
	
	ZCE11
	
	ZCE02
	
	ZCE21
	
	ZCE27
	
	ZCE28
	
	ZCEH0
	

(1) 2 elongated holes $\varnothing 4.3 \times 6.3$ mm on 22 mm centres, 2 holes $\varnothing 4.3$ on 20 mm centres.
 (2) 2 x $\varnothing 3$ holes for support studs, depth 4 mm.
 (3) Fixing nut thickness 3.5 mm.

Limit switches

XC Standard range
Compact design, metal, XCKD
M12 connector

Type of head	Plunger (fixing by the head)		Rotary (fixing by the body)				Multi-directional
			Form A (1)				
Type of operator	M18 with metal end plunger	M18 with steel roller plunger	Thermoplastic roller lever	Variable length thermoplastic roller lever	Thermoplastic roller lever, Ø 50 mm	Variable length thermoplastic roller lever, Ø 50 mm	"Cat's whisker" (2)

References	XCKD21H0M12	XCKD21H2M12	XCKD2118M12	XCKD2145M12	XCKD2139M12	XCKD2149M12	XCKD2106M12
2-pole NC + NO snap action (XE2SP2151)							
2-pole NC + NC snap action (XE2SP2141)							
Weight (kg)	0.235	0.235	0.220	0.220	0.220	0.220	0.185
Contact operation			(A) = cam displacement (P) = positive opening point				

(1) Form conforming to EN 50047, see page 24.
(2) Value taken with actuation by moving part at 100 mm from the fixing.

Characteristics	On end	By 30° cam	By any moving part
Switch actuation	On end	By 30° cam	By any moving part
Type of actuation			
Maximum actuation speed	0.5 m/s	1.5 m/s	1 m/s (any direct.)
Mechanical durability (in millions of operating cycles)	10		5
Minimum force or torque	For tripping: 15 N For positive opening: 45 N	10 N 36 N	0.1 N.m 0.25 N.m
Connection	M12 connector, U _i = 60 V, I _e = 4 A maximum, I _{th} = 4 A		



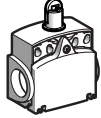
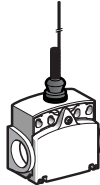
Dimensions

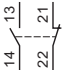

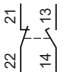
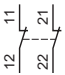
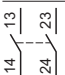
ZCE01 + ZCY18	ZCE01 + ZCY45	ZCE01 + ZCY39	ZCE01 + ZCY49	ZCE06
ZCEH2				
	(3) Fixing nut thickness 3.5 mm.			

Limit switches

XC Standard range




Compact design, plastic, XCKT
Complete switches with 2 cable entries

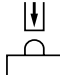
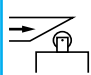
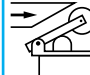
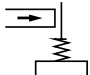
Type of head	Plunger (fixing by the body)			Multi-directional
	Form B (1)	Form C (1)	Form E (1)	
				
Type of operator	Metal end plunger	Metal end plunger with elastomer boot (2)	Steel roller plunger	Thermoplastic roller lever plunger, horizontal actuation in 1 direction

References of complete switches with 2 ISO M16 x 1.5 cable entries (4)						
	2-pole NC + NO snap action (XE2SP3151)	XCKT2110P16	XCKT2111P16	XCKT2102P16	XCKT2121P16	XCKT2106P16
	2-pole NC + NO break before make, slow break (XE2NP3151)	ZCT25P16 + ZCE10	ZCT25P16 + ZCE11	ZCT25P16 + ZCE02	ZCT25P16 + ZCE21	ZCT25P16 + ZCE06
	2-pole NC + NO make before break, slow break (XE2NP3161)	ZCT26P16 + ZCE10	ZCT26P16 + ZCE11	ZCT26P16 + ZCE02	ZCT26P16 + ZCE21	ZCT26P16 + ZCE06
	2-pole NC + NC simultaneous, slow break (XE2NP2141)	ZCT27P16 + ZCE10	ZCT27P16 + ZCE11	ZCT27P16 + ZCE02	ZCT27P16 + ZCE21	ZCT27P16 + ZCE06
	2-pole NO + NO simultaneous, slow break (XE2NP3131)	ZCT28P16 + ZCE10	ZCT28P16 + ZCE11	ZCT28P16 + ZCE02	ZCT28P16 + ZCE21	ZCT28P16 + ZCE06
Weight (kg)		0.100	0.100	0.105	0.115	0.095

References of complete switches with 2 entries for n° 11 cable gland

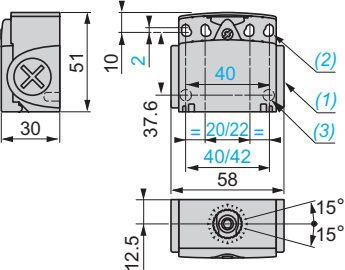
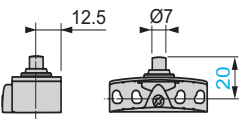
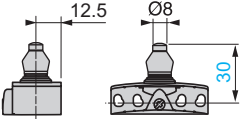
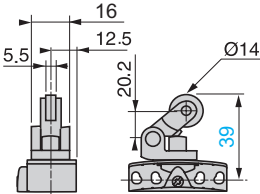
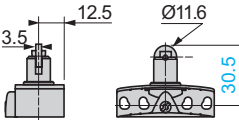
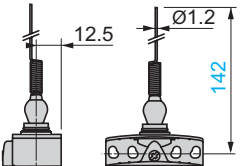
For entries tapped for n° 11 cable gland, replace P16 in the reference by G11. Example: XCKT2110P16 becomes XCKT2110G11.

Contact operation  closed (A) = cam displacement  NC contact with positive opening operation
 open (P) = positive opening point

Characteristics				
Switch actuation	On end	By 30° cam		By any moving part
Type of actuation				
Maximum actuation speed	0.5 m/s		1 m/s	1 m/s (any direction)
Mechanical durability (in millions of operating cycles)	15	10	15	5
Minimum force or torque	For tripping: 15 N For positive opening: 45 N	12 N 36 N	6 N 18 N	0.3 N.m
Cable entry (3)	2 entries tapped M16 x 1.5 for ISO cable gland Clamping capacity 4 to 8 mm (1 entry fitted with blanking plug)			

(1) Form conforming to EN 50047, see page 24. (2) Nitrile for indoor use.


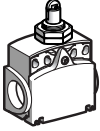

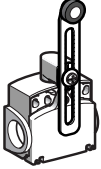

(3) Value taken with actuation by moving part at 100 mm from the fixing. (4) Switches with gold contacts or eyelet type connections: please consult our Customer Care Centre.

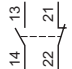
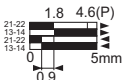


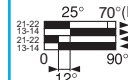
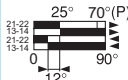
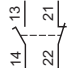
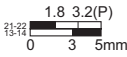
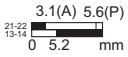
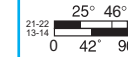
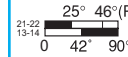
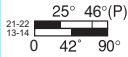


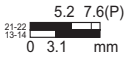
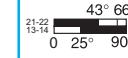
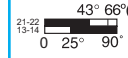
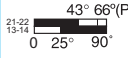
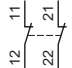

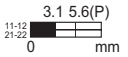
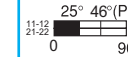
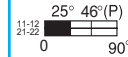
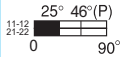

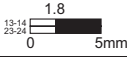

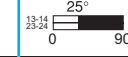
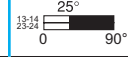
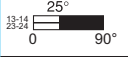
Dimensions			
			
			

- (1) Tapped entry for ISO M16 x 1.5 or Pg 11 cable gland.
- (2) 4 elongated holes $\varnothing 4.3 \times 6.3$ mm on 22/42 mm ctrs, 4 holes $\varnothing 4.3$ on 20/40 mm ctrs.
- (3) 2 x $\varnothing 3$ holes for support studs, depth 4 mm.

Limit switches


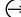

XC Standard range
Compact design, plastic, XCKT
Complete switches with 2 cable entries

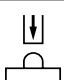
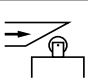
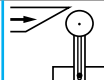
Type of head	Plunger (fixing by the head)		Rotary (fixing by the body) Form A (1)		
					
Type of operator	M18 with metal end plunger	M18 with steel roller plunger	Thermoplastic roller lever	Variable length thermoplastic roller lever	Thermoplastic roller lever, Ø 50 mm

References of complete switches with 2 ISO M16 x 1.5 cable entries (2)						
	2-pole NC + NO snap action (XE2SP3151)	XCKT21H0P16 	XCKT21H2P16 	XCKT2118P16 	XCKT2145P16 	XCKT2139P16 
	2-pole NC + NO break before make, slow break (XE2NP3151)	ZCT25P16 + ZCEH0 	ZCT25P16 + ZCEH2 	ZCT25P16 + ZCE01 + ZCY18 	ZCT25P16 + ZCE01 + ZCY45 	ZCT25P16 + ZCE01 + ZCY39 
	2-pole NO + NC make before break, slow break (XE2NP3161)	ZCT26P16 + ZCEH0 	ZCT26P16 + ZCEH2 	ZCT26P16 + ZCE01 + ZCY18 	ZCT26P16 + ZCE01 + ZCY45 	ZCT26P16 + ZCE01 + ZCY39 
	2-pole NC + NC simultaneous, slow break (XE2NP2141)	ZCT27P16 + ZCEH0 	ZCT27P16 + ZCEH2 	ZCT27P16 + ZCE01 + ZCY18 	ZCT27P16 + ZCE01 + ZCY45 	ZCT27P16 + ZCE01 + ZCY39 
	2-pole NO + NO simultaneous, slow break (XE2NP3131)	ZCT28P16 + ZCEH0 	ZCT28P16 + ZCEH2 	ZCT28P16 + ZCE01 + ZCY18 	ZCT28P16 + ZCE01 + ZCY45 	ZCT28P16 + ZCE01 + ZCY39 
Weight (kg)	0.145	0.145	0.145	0.155	0.160	

References of complete switches with 2 entries for n° 11 cable gland

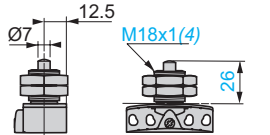
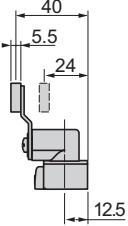
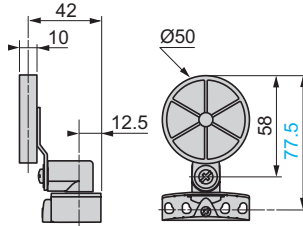
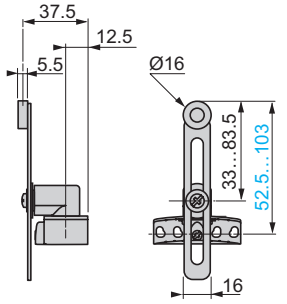
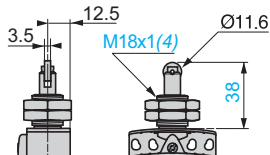
For entries tapped for n° 11 cable gland, replace P16 in the reference by G11. Example: XCKT21H0P16 becomes XCKT21H0G11.

Contact operation  closed (A) = cam displacement  NC contact with positive opening operation
 open (P) = positive opening point

Characteristics		Switch actuation		
Switch actuation		On end	By 30° cam	
Type of actuation				
Maximum actuation speed		0.5 m/s	1.5 m/s	
Mechanical durability		10 million operating cycles		
Minimum force or torque	For tripping	15 N	10 N	0.1 N.m
	For positive opening	45 N	36 N	0.25 N.m
Cable entry (3)		2 entries tapped M16 x 1.5 for ISO cable gland Clamping capacity 4 to 8 mm (1 entry fitted with blanking plug)		

(1) Form conforming to EN 50047, see page 24.

(2) Switches with gold contacts or eyelet type connections: please consult our Customer Care Centre.

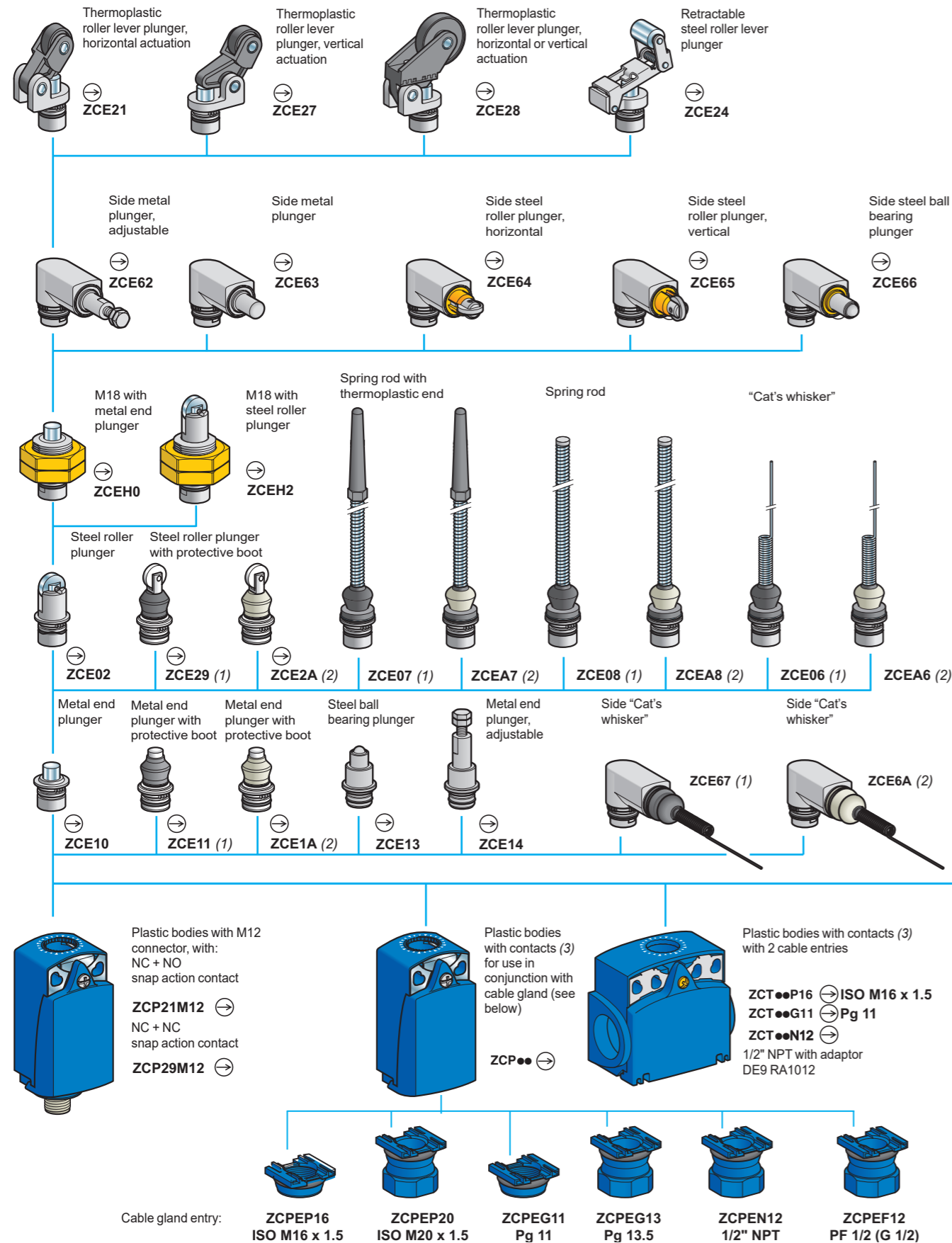
Dimensions	ZCEH0	ZCE01 + ZCY18	ZCE01 + ZCY39	ZCE01 + ZCY45
				
				

(4) Fixing nut thickness 3.5 mm.

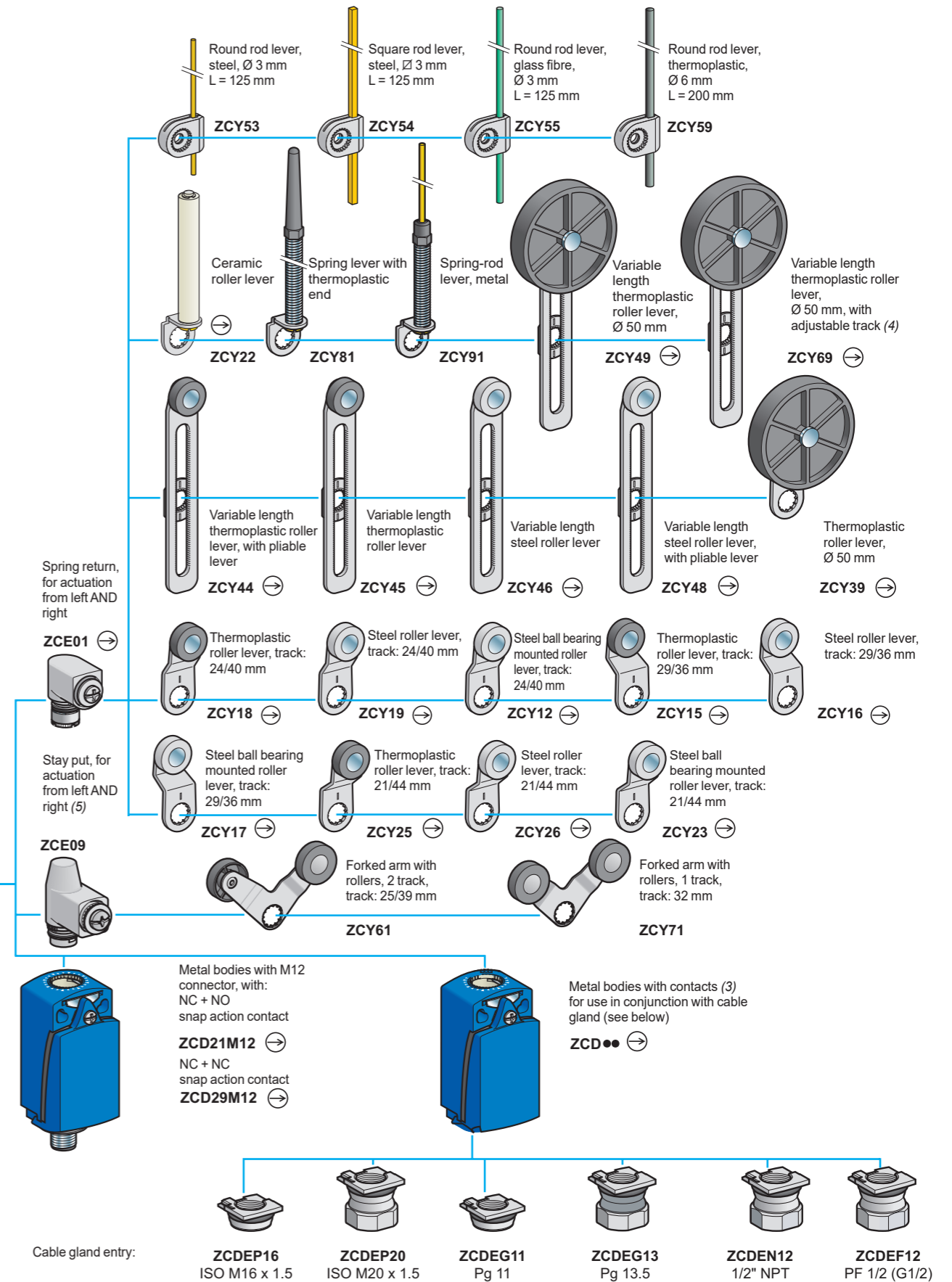
Limit switches

XC Standard range

Compact design, XCKD, XCKP and XCKT
Variable composition



(1) Nitrile boot for indoor use.
(2) Silicone boot for outdoor use.
(3) For further information, see page 90.

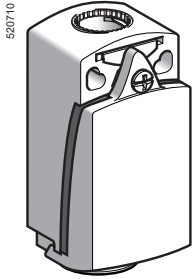


(4) Variable length and adjustable track by lever deformation.
(5) Suitable with bodies: ZCD21, ZCP21, ZCT21, ZCD29, ZCP29, ZCD31, ZCP31, ZCD39, ZCP39, ZCD2M12, ZCP2M12

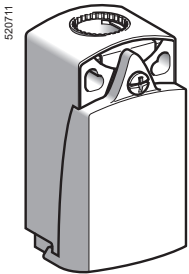
Limit switches

XC Standard range
Compact design, metal, XCKD
or plastic, XCKP

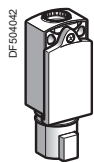
Adaptable sub-assemblies: bodies with contacts



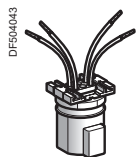
ZCD●●



ZCP●●



ZCP21D44



ZCPED44

Bodies with contacts, XCKD and XCKP (1)

Type of contact	Positive operation (2)	Scheme	Body material	Reference	Weight kg
2-pole					
NC + NO snap action (XE2SP2151)	⊖		Metal	ZCD21	0.140
			Plastic	ZCP21	0.070
NC + NC snap action (XE2SP2141)	⊖		Metal	ZCD29	0.140
			Plastic	ZCP29	0.070
NC + NO break before make, slow break (XE2NP2151)	⊖		Metal	ZCD25	0.140
			Plastic	ZCP25	0.070
NO + NC make before break, slow break (XE2NP2161)	⊖		Metal	ZCD26	0.140
			Plastic	ZCP26	0.070
NC + NC simultaneous, slow break (XE2NP2141)	⊖		Metal	ZCD27	0.140
			Plastic	ZCP27	0.070
NO + NO simultaneous, slow break (XE2NP2131)	-		Metal	ZCD28	0.140
			Plastic	ZCP28	0.070
3-pole					
NC + NO + NO snap action (XE3SP2151)	⊖		Metal	ZCD31	0.140
			Plastic	ZCP31	0.070
NC + NC + NO snap action (XE3SP2141)	⊖		Metal	ZCD39	0.140
			Plastic	ZCP39	0.070
NC + NC + NO break before make, slow break (XE3NP2141)	⊖		Metal	ZCD37	0.140
			Plastic	ZCP37	0.070
NC + NO + NO break before make, slow break (XE3NP2151)	⊖		Metal	ZCD35	0.140
			Plastic	ZCP35	0.070

Components for connection using DEUTSCH connector

Bodies with contacts for DEUTSCH connector

Type of contact	Positive operation (2)	Scheme	Cable entry	Reference	Weight kg
2-pole					
NC + NO snap action (XE2SP2151)	⊖		Connector	ZCP21D44	0.065
DEUTSCH male connector DT04-4P				ZCPED44	0.015

(1) Bodies with gold contacts or eyelet type connections: please consult your Customer Care Centre.
(2) ⊖: bodies with contacts assuring positive opening operation.

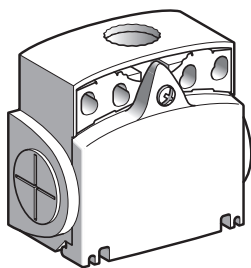
Limit switches

XC Standard range

Compact design, plastic, XCKT

Adaptable sub-assemblies: bodies with contacts

561390



ZCT...●●●

Bodies with contacts, XCKT plastic, 2 cable entries

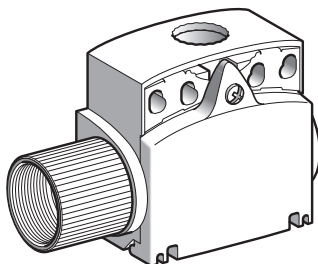
Type of contact	Positive operation (1)	Scheme	Cable entries	Reference	Weight kg
2-pole					
NC + NO snap action (XE2SP3151)	⊖		ISO M16 x 1.5	ZCT21P16	0.085
			Pg 11	ZCT21G11	0.085
NC + NO break before make, slow break (XE2NP3151)	⊖		ISO M16 x 1.5	ZCT25P16	0.085
			Pg 11	ZCT25G11	0.085
NC + NC simultaneous, slow break (XE2NP3141)	⊖		ISO M16 x 1.5	ZCT27P16	0.085
			Pg 11	ZCT27G11	0.085
NO + NO simultaneous, slow break (XE2NP3131)	-		ISO M16 x 1.5	ZCT28P16	0.085
			Pg 11	ZCT28G11	0.085
NO + NC make before break, slow break (XE2NP3161)	⊖		ISO M16 x 1.5	ZCT26P16	0.085
			Pg 11	ZCT26G11	0.085

Bodies with contacts, XCKT plastic, 2 cable entries with 1/2" NPT adaptor

Type of contact	Positive operation (1)	Scheme	Reference	Weight kg
2-pole				
NC + NO snap action (XE2SP3151)	⊖		ZCT21N12	0.130
NC + NO break before make, slow break (XE2NP3151)	⊖		ZCT25N12	0.130
NC + NC simultaneous, slow break (XE2NP3141)	⊖		ZCT27N12	0.130
NO + NO simultaneous, slow break (XE2NP3131)	-		ZCT28N12	0.130
NO + NC make before break, slow break (XE2NP3161)	⊖		ZCT26N12	0.130

(1) ⊖: bodies with contact assuring positive opening operation.

561387



ZCT...●●N12

Limit switches

XC Standard range

Compact design, metal, XCKD or plastic, XCKP and XCKT

Adaptable sub-assemblies: bodies with contacts

561127



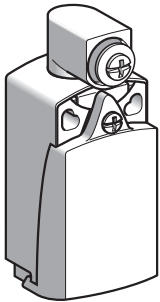
ZCE05

561392



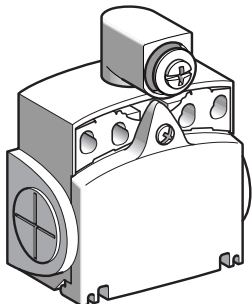
DE9RA1012

561388



XCK2001

561389



XCKT2001

Accessories

Description	Suitable levers for use with head	Unit reference	Weight kg
Rotary head, without lever, spring return, for actuation from left AND right or left OR right (1)	ZCY12, ZCY15, ZCY16, ZCY17, ZCY18, ZCY19, ZCY22, ZCY23, ZCY25, ZCY26, ZCY39, ZCY53, ZCY54, ZCY55, ZCY81	ZCE05	0.045
Tap-off terminal for XCKT	Sold in lots of 10	XALZ09	0.010
Spacer for angular positioning of heads with adjustable levers, for values other than - 90°, 0° and 90°	–	XCMZ07	0.002
Adaptor for 1/2" NPT conduit (male Pg 11 / female 1/2" NPT)	Sold in lots of 10	DE9RA1012	0.050

Bodies with contacts, XCKP plastic, with rotary head (without operating lever)

Type of contact	Scheme	Positive operation (2)	Cable entry	Reference	Weight kg
2-pole					
NC + NO snap action (XE2SP2151)			ISO M16 x 1.5	XCKP2101P16	0.115
			Pg 11	XCKP2101G11	0.115
			M12 connector	XCKP2101M12	0.125
NC + NO break before make, slow break (XE2NP2151)			ISO M16 x 1.5	XCKP2501P16	0.115
			Pg 11	XCKP2501G11	0.115

Bodies with contacts, XCKD metal, with rotary head (without operating lever)

Type of contact	Scheme	Positive operation (2)	Cable entry	Reference	Weight kg
2-pole					
NC + NO snap action (XE2SP2151)			ISO M16 x 1.5	XCKD2101P16	0.185
			Pg 11	XCKD2101G11	0.185
			M12 connector	XCKD2101M12	0.195
NC + NO break before make, slow break (XE2NP2151)			ISO M16 x 1.5	XCKD2501P16	0.185
			Pg 11	XCKD2501G11	0.185

Bodies with contacts, XCKT plastic, with rotary head (without operating lever)

Type of contact	Scheme	Positive operation (2)	Cable entry	Reference	Weight kg
2-pole					
NC + NO snap action (XE2SP3151)			ISO M16 x 1.5	XCKT2101P16	0.130
			Pg 11	XCKT2101G11	0.130
NC + NO break before make, slow break (XE2NP3151)			ISO M16 x 1.5	XCKT2501P16	0.130
			Pg 11	XCKT2501G11	0.130

(1) For programming see page 18.

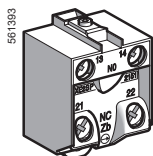
(2) : bodies with contact assuring positive opening operation.

Limit switches

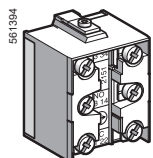
XC Standard range

Compact design, metal, XCKD or plastic, XCKP and XCKT

Adaptable sub-assemblies: contact blocks



XE2●●21●●



XE3●●21●●

Contact blocks with screw clamp terminals for XCKD and XCKP

Type of contact	Positive operation (1)	Scheme	Reference for standard contacts	Weight kg
2-pole				
NC + NO snap action	⊕		XE2SP2151	0.020
NC + NC simultaneous, snap action	⊕		XE2SP2141	0.020
NC + NO break before make, slow break	⊕		XE2NP2151	0.020
NO + NC make before break, slow break	⊕		XE2NP2161	0.020
NC + NC simultaneous, slow break	⊕		XE2NP2141	0.020
NO + NO simultaneous, slow break	-		XE2NP2131	0.020
3-pole				
NC + NO + NO snap action	⊕		XE3SP2151	0.035
NC + NC + NO snap action	⊕		XE3SP2141	0.035
NC + NC + NO break before make, slow break	⊕		XE3NP2141	0.035
NC + NO + NO break before make, slow break	⊕		XE3NP2151	0.035

Contact blocks with screw clamp terminals for XCKT

Type of contact	Positive operation (1)	Scheme	Reference for standard contacts	Weight kg
2-pole				
NC + NO snap action	⊕		XE2SP3151	0.015
NC + NO break before make, slow break	⊕		XE2NP3151	0.015
NO + NC make before break, slow break	⊕		XE2NP3161	0.015
NC + NC simultaneous, slow break	⊕		XE2NP3141	0.015
NO + NO simultaneous, slow break	-		XE2NP3131	0.015

(1) ⊕: contact blocks assuring positive opening operation.

Limit switches

XC Standard range

Compact design, plastic, with reset, XCPR and XCTR

Compact design, metal, with reset, XCDR

■ XCPR, XCDR
with 1 cable entry

□ With head for linear movement (plunger). Fixing by the body

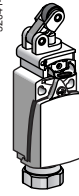
XCDR

520412



Page 98

520414



XCDR

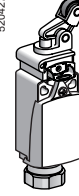
XCPR

520425



Page 96

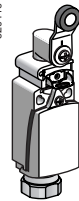
520427



□ With head for rotary movement (lever) or multi-directional. Fixing by the body

XCDR

520416



Page 98

XCPR

520428



Page 96

■ XCTR

with 2 cable entries
Tripping/resetting points and fixing centres
conform to CENELEC 50047

□ With head for linear movement (plunger). Fixing by the body

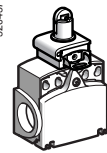
XCTR

520436



Page 100

520437



□ With head for rotary movement (lever) or multi-directional. Fixing by the body

XCTR

520438



Page 100

Limit switches

XC Standard range

Compact design, plastic, with reset, XCPR and XCTR

Compact design, metal, with reset, XCDR

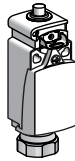

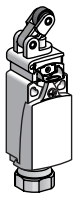
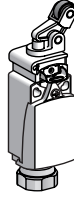
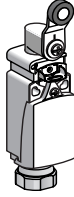

Environment characteristics		
Conformity to standards	Products	CE, EN/IEC 60947-5-1, UL 508, CSA C22-2 n° 14, EAC
	Machine assemblies	EN/IEC 60204-1
Product certifications		UL, CSA
Protective treatment	Standard version	"TC"
Ambient air temperature	For operation	- 25...+ 70 °C (- 40...+ 70 °C with ZCE106, ZCE026 and ZCE016 heads)
	For storage	- 40...+ 70 °C
Vibration resistance	Conforming to IEC 60068-2-6	25 gn (10...500 Hz)
Shock resistance	Conforming to IEC 60068-2-27	50 gn (11 ms)
Electric shock protection		Class II conforming to IEC 61140 and NF C 20-030 for XCPR and XCTR
		Class I conforming to IEC 61140 and NF C 20-030 for XCDR
Degree of protection		IP 66 and IP 67 conforming to IEC 60529; IK 04 conforming to IEC 62262
Repeat accuracy		0.1 mm on the tripping points, with 1 million operating cycles for head with end plunger
Cable entry	Depending on model	Either: tapped entry for n° 13 cable gland, tapped ISO M20 x 1.5 or tapped 1/2" NPT
Materials		XCDR : Zamak bodies and heads, XCPR and XCTR : plastic bodies, Zamak heads
Contact block characteristics		
Rated operational characteristics		~ AC-15; A300 (U _e = 240 V, I _e = 3 A); I _{the} = 10 A ≡ DC-13; Q300 (U _e = 250 V, I _e = 0.27 A), conforming to EN/IEC 60947-5-1 Appendix A
Rated insulation voltage		U _i = 500 V degree of pollution 3 conforming to IEN/IEC 60947-1 U _i = 300 V conforming to UL 508, CSA C22-2 n° 14
Rated impulse withstand voltage		U _{imp} = 6 kV conforming to EN/IEC 60947-1, IEC 60664
Positive operation (depending on model)		NC contacts with positive opening operation conforming to EN/IEC 60947-5-1 Appendix K
Resistance across terminals		≤ 25 mΩ conforming to IEC 60255-7 category 3
Short-circuit protection		10 A cartridge fuse type gG (gl)
Connection (screw clamp terminals)	XE2SP2151	Clamping capacity, min: 1 x 0.34 mm ² , max: 2 x 1.5 mm ²
	XE2NP2151	Clamping capacity, min: 1 x 0.5 mm ² , max: 2 x 2.5 mm ²
Minimum actuation speed (for head with end plunger)		XE2SP2151 : 0.01 m/minute
		XE2NP2151 : 6 m/minute


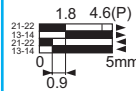
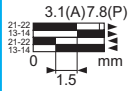
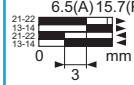
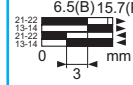
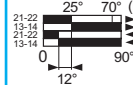
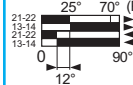

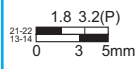
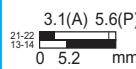
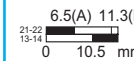

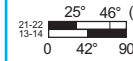
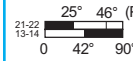

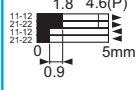
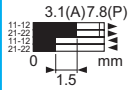
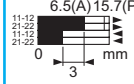
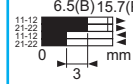
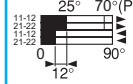
Limit switches

XC Standard range

Compact design, plastic, with reset, XCPR

Complete switches with 1 cable entry

Type of head	Plunger (fixing by the body)				Rotary (fixing by the body)	
						
Type of operator	Metal end plunger	Steel roller plunger	Thermoplastic roller lever plunger, horizontal actuation in 1 direction	Thermoplastic roller lever plunger, vertical actuation in 1 direction	Thermoplastic roller lever	Steel roller lever

References of complete switches with 1 ISO M20 x 1.5 cable entry							
	2-pole NC + NO snap action (XE2SP2151)	XCPR2110P20 1.8 4.6(P) 	XCPR2102P20 3.1(A) 7.8(P) 	XCPR2121P20 6.5(A) 15.7(P) 	XCPR2127P20 6.5(B) 15.7(P) 	XCPR2118P20 25° 70° (P) 12° 90° 	XCPR2119P20 25° 70° (P) 12° 90° 
	2-pole NC + NO break before make, slow break (XE2NP2151)	XCPR2510P20 1.8 3.2(P) 	XCPR2502P20 3.1(A) 5.6(P) 	XCPR2521P20 6.5(A) 11.3(P) 	XCPR2527P20 6.5(B) 11.3(P) 	XCPR2518P20 25° 46° (P) 42° 90° 	XCPR2519P20 25° 46° (P) 42° 90° 
	2-pole NC + NC snap action (XE2SP2141)	XCPR2910P20 1.8 4.6(P) 	XCPR2902P20 3.1(A) 7.8(P) 	XCPR2921P20 6.5(A) 15.7(P) 	XCPR2927P20 6.5(B) 15.7(P) 	XCPR2918P20 25° 70° (P) 12° 90° 	–
Weight (kg)		0.115	0.115	0.125	0.120	0.155	–

References of complete switches with 1 Pg 13.5 cable entry

For complete switches with 1 Pg 13.5 cable entry replace P20 by G13.

Example: XCPR2110P20 becomes XCPR2110G13.

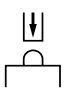
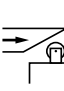


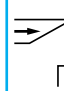
References of complete switches with 1 entry for 1/2" NPT conduit

For complete switches with 1 entry for 1/2" NPT conduit replace P20 by N12.

Example: XCPR2110P20 becomes XCPR2110N12.

Contact operation	 closed  open	(A) (B) = cam displacement (P) = positive opening point	 NC contact with positive opening operation
--------------------------	--	--	--

Characteristics

Switch actuation	On end	By 30° cam			
Type of actuation					
Maximum actuation speed	0.5 m/s		1 m/s		1.5 m/s
Minimum force or torque	For tripping For positive opening	15 N 45 N	12 N 36 N	6 N 18 N	0.1 N.m 0.25 N.m
Cable entry	1 entry tapped M20 x 1.5 mm for ISO cable gland, clamping capacity 7 to 13 mm 1 entry tapped Pg 13.5 for cable gland, clamping capacity 9 to 12 mm 1 entry tapped for 1/2" NPT (USAS B2-1) conduit				

Other versions Complete switches with cable entries other than those listed above. please consult our Customer Care Centre.

Limit switches

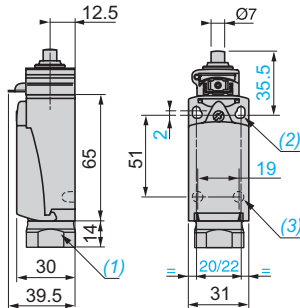
XC Standard range

Compact design, plastic, with reset, XCPR

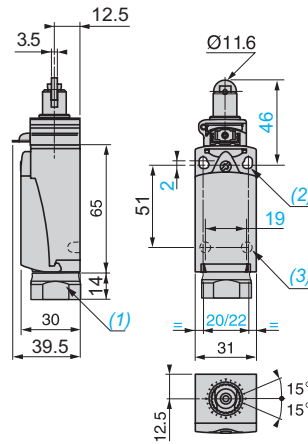
Complete switches with 1 cable entry

Dimensions

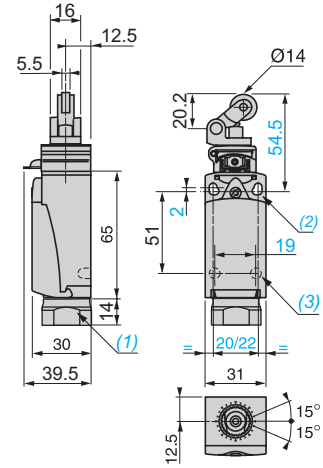
XCPR2●10●●●



XCPR2●02●●●



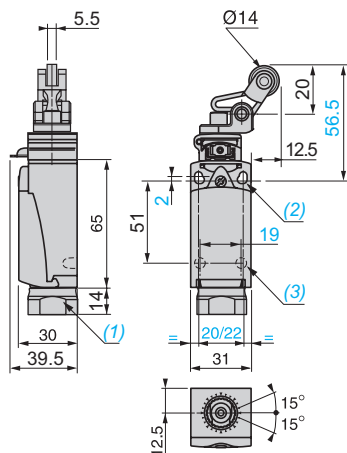
XCPR2●21●●●



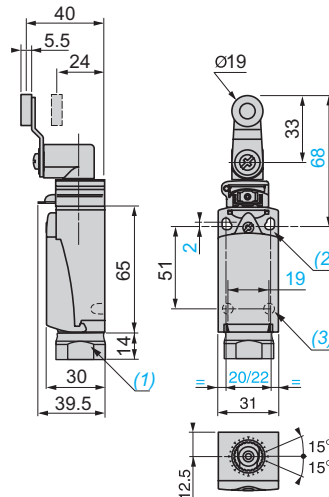
- (1) Tapped entry for ISO M20 x 1.5 or Pg 13.5 cable gland or tapped 1/2" NPT.
- (2) 2 elongated holes $\varnothing 4.3 \times 6.3$ mm on 22 mm centres, 2 holes $\varnothing 4.3$ on 20 mm centres.
- (3) 2 x $\varnothing 3$ holes for support studs, depth 4 mm.

Dimensions

XCPR2●27●●●



XCPR2●18●●●, XCPR2●19●●●



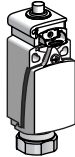





- (1) Tapped entry for ISO M20 x 1.5 or Pg 13.5 cable gland or tapped 1/2" NPT.
- (2) 2 elongated holes $\varnothing 4.3 \times 6.3$ mm on 22 mm centres, 2 holes $\varnothing 4.3$ on 20 mm centres.
- (3) 2 x $\varnothing 3$ holes for support studs, depth 4 mm.

Limit switches


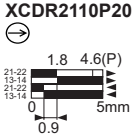
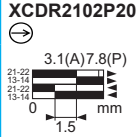
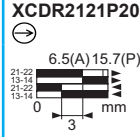
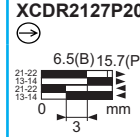
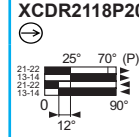
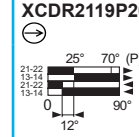
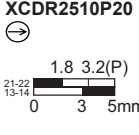
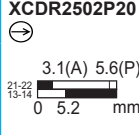
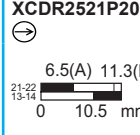

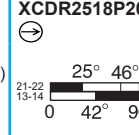
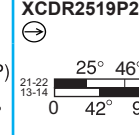
XC Standard range

Compact design, metal, with reset, XCDR

Complete switches with 1 cable entry

Type of head	Plunger (fixing by the body)				Rotary (fixing by the body)	
						

Type of operator	Metal end plunger	Steel roller plunger	Thermoplastic roller lever plunger, horizontal actuation in 1 direction	Thermoplastic roller lever plunger, vertical actuation in 1 direction	Thermoplastic roller lever	Steel roller lever
------------------	-------------------	----------------------	---	---	----------------------------	--------------------

References of complete switches with 1 ISO M20 x 1.5 cable entry						
 <p>2-pole NC + NO snap action (XE2SP2151)</p>	XCDR2110P20 	XCDR2102P20 	XCDR2121P20 	XCDR2127P20 	XCDR2118P20 	XCDR2119P20 
	XCDR2510P20 	XCDR2502P20 	XCDR2521P20 	XCDR2527P20 	XCDR2518P20 	XCDR2519P20 
Weight (kg)	0.215	0.220	0.225	0.225	0.255	0.255

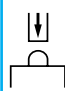
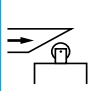


References of complete switches with 1 Pg 13.5 cable entry

For complete switches with 1 Pg 13.5 cable entry replace P20 by **G13**.
 Example: XCDR2110P20 becomes **XCDR2110G13**.

References of complete switches with 1 entry for 1/2" NPT conduit

For complete switches with 1 entry for 1/2" NPT conduit replace P20 by **N12**.
 Example: XCDR2110P20 becomes **XCDR2110N12**.

Contact operation	 closed	 open	(A) (B) = cam displacement	 NC contact with positive opening operation
--------------------------	--	--	----------------------------	--

Characteristics					
Switch actuation	On end	By 30° cam			
Type of actuation					
Maximum actuation speed	0.5 m/s		1 m/s	1.5 m/s	
Minimum force or torque	For tripping	15 N	12 N	6 N	0.1 N.m
	For positive opening	45 N	36 N	18 N	0.25 N.m
Cable entry	1 entry tapped M20 x 1.5 mm for ISO cable gland, clamping capacity 7 to 13 mm 1 entry tapped Pg 13.5 for cable gland, clamping capacity 9 to 12 mm 1 entry tapped for 1/2" NPT (USAS B2-1) conduit				

Limit switches

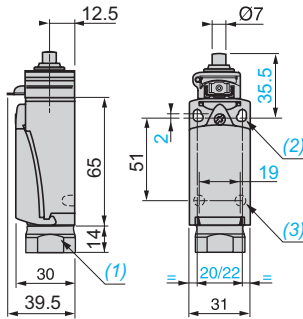
XC Standard range

Compact design, metal, with reset, XCDR

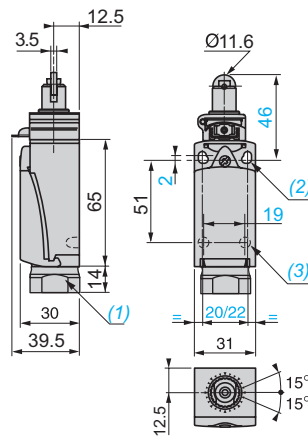
Complete switches with 1 cable entry

Dimensions

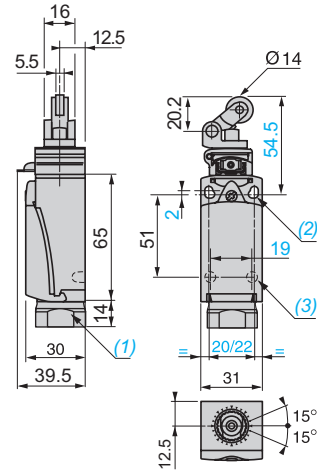
XCDR2•10•••



XCDR2•02•••



XCDR2•21•••



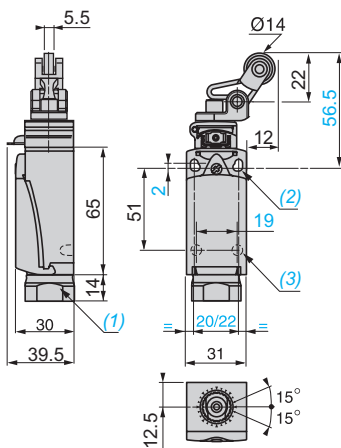
(1) Tapped entry for ISO M20 x 1.5 or Pg 13.5 cable gland or tapped 1/2" NPT.

(2) 2 elongated holes $\varnothing 4.3 \times 6.3$ mm on 22 mm centres, 2 holes $\varnothing 4.3$ on 20 mm centres.

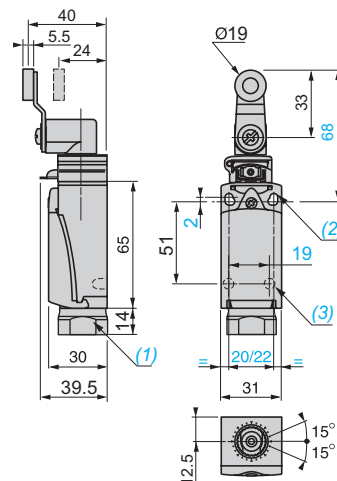
(3) 2 x $\varnothing 3$ holes for support studs, depth 4 mm.

Dimensions

XCDR2•27•••



XCDR2•18•••, XCDR2•19•••



(1) Tapped entry for ISO M20 x 1.5 or Pg 13.5 cable gland or tapped 1/2" NPT.

(2) 2 elongated holes $\varnothing 4.3 \times 6.3$ mm on 22 mm centres, 2 holes $\varnothing 4.3$ on 20 mm centres.



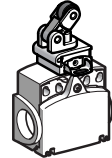
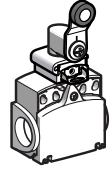
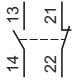
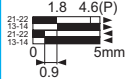
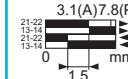
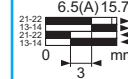
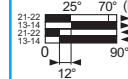

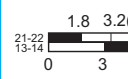
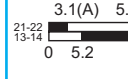
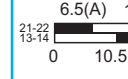
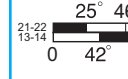
(3) 2 x $\varnothing 3$ holes for support studs, depth 4 mm.

Limit switches

XC Standard range

Compact design, plastic, with reset, XCTR

Complete switches with 2 cable entries

Type of head	Plunger (fixing by the body)				Rotary (fixing by the body)
					
Type of operator	Metal end plunger	Steel roller plunger	Thermoplastic roller lever plunger, horizontal actuation in 1 direction	Thermoplastic roller lever plunger	
References of complete switches with 2 ISO M16 x 1.5 cable entries					
 <p>2-pole NC + NO snap action (XE2SP3151)</p>	XCTR2110P16 \ominus 	XCTR2102P16 \ominus 	XCTR2121P16 \ominus 	XCTR2118P16 \ominus 	
	 <p>2-pole NC + NO break before make, slow break (XE2NP3151)</p>	XCTR2510P16 \ominus 	XCTR2502P16 \ominus 	XCTR2521P16 \ominus 	XCTR2518P16 \ominus 
Weight (kg)	0.120	0.125	0.135	0.165	

References of complete switches with 2 Pg 11 cable entries

For complete switches with 2 Pg 11 cable entries replace P16 by G11.

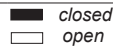
Example: XCTR2110P16 becomes XCTR2110G11.

References of complete switches with 2 entries tapped for 1/2" NPT conduit

For complete switches with 2 entries for 1/2" NPT conduit replace P16 by N12.

Example: XCTR2110P16 becomes XCTR2110N12.

Contact operation

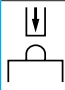
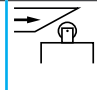
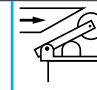
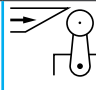


(A) = cam displacement

(P) = positive opening point

\ominus NC contact with positive opening operation

Characteristics

Switch actuation	On end	By 30° cam			
Type of actuation					
Maximum actuation speed	0.5 m/s		1 m/s	1.5 m/s	
Minimum force or torque					
	For tripping	15 N	12 N	6 N	0.1 N.m
	For positive opening	45 N	36 N	18 N	0.25 N.m
Cable entry (1 entry fitted with blanking plug)	2 entries tapped M16 x 1.5 mm for ISO cable gland, clamping capacity 4 to 8 mm 2 entries tapped Pg 11 for cable gland, clamping capacity 7 to 10 mm 2 entries tapped for 1/2" NPT (USAS B2-1) conduit using Pg 11 - 1/2" NPT adaptor DE9RA1012				

Limit switches

XC Standard range

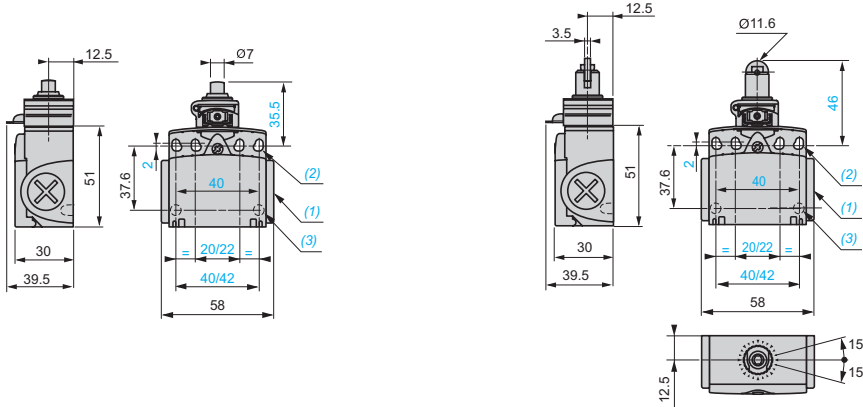
Compact design, plastic, with reset, XCTR

Complete switches with 2 cable entries

Dimensions

XCTR2●10●●●

XCTR2●02●●●



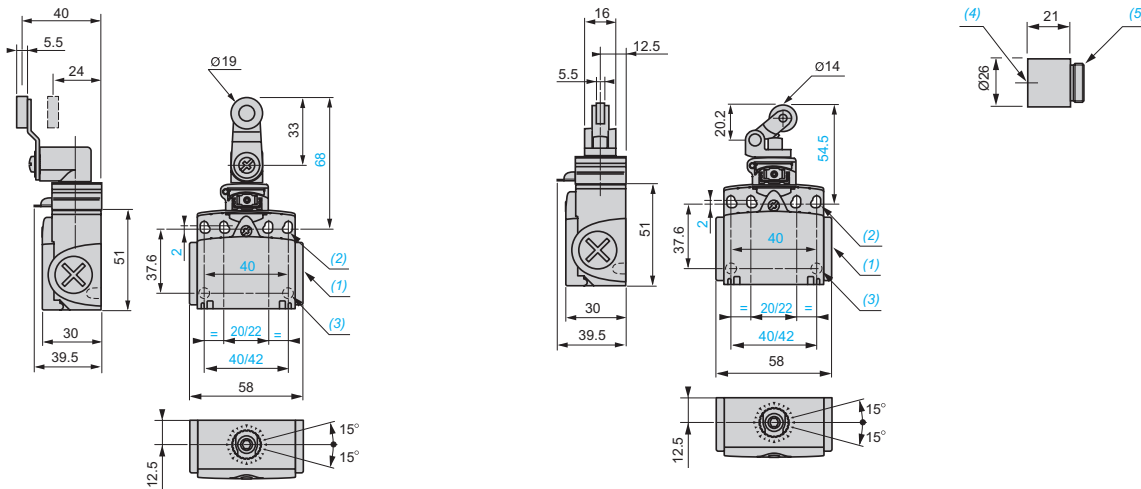
- (1) Tapped entry for ISO M16 x 1.5 or Pg 11 cable gland or tapped 1/2" NPT.
 (2) 4 elongated holes $\varnothing 4.3 \times 6.3$ mm on 22/42 mm centres, 4 holes $\varnothing 4.3$ on 20/40 mm centres.
 (3) 2 x $\varnothing 3$ holes for support studs, depth 4 mm.
 (4) Tapped entry for 1/2" NPT conduit.
 (5) Pg 11 threaded sleeve.

Dimensions

XCTR2●18●●●

XCTR2●21●●●

DE9RA1012



- (1) Tapped entry for ISO M16 x 1.5 or Pg 11 cable gland or 1/2" NPT conduit.
 (2) 4 elongated holes $\varnothing 4.3 \times 6.3$ mm on 22/42 mm centres, 4 holes $\varnothing 4.3$ on 20/40 mm centres.
 (3) 2 x $\varnothing 3$ holes for support studs, depth 4 mm.

Limit switches

XC Basic range

Compact design, plastic, XCKN and XCNT

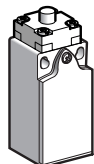
■ XCKN

with 1 cable entry

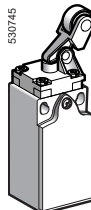
Conforming to CENELEC EN 50047

□ With head for linear movement (plunger)

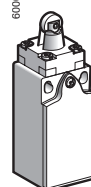
530748



530745



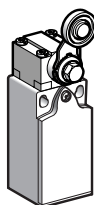
600039



Page 104

□ With head for rotary movement (lever) or multi-directional

530749



530746



Page 105

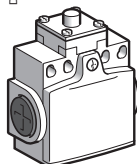
■ XCNT

with 2 cable entries

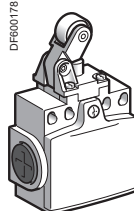
Conforming to CENELEC EN 50047

□ With head for linear movement (plunger)

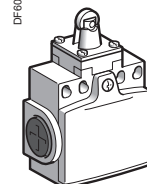
DF600177



DF600178



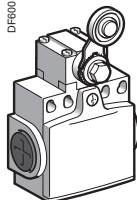
DF600352



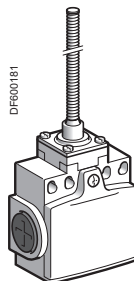
Page 106

□ With head for rotary movement (lever) or multi-directional

DF600180



DF600181



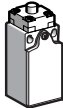
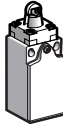
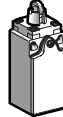


Page 107

Environment characteristics		
Conformity to standards	Products	IEC 60947-5-1, EN 60947-5-1, UL 508, CSA C22-2 n° 14, EAC
	Machine assemblies	IEC 60204-1, EN 60204-1
Product certifications		UL, CSA, CCC
Protective treatment	Version	Standard: "TC"
Ambient air temperature	For operation	- 25...+ 70°C
	For storage	- 40...+ 70°C
Vibration resistance	Conforming to IEC 60068-2-6	25 gn (10...500 Hz) except XCKN●●08: 10 gn, XCKN●●39 and XCKN●●49: 15 gn
Shock resistance	Conforming to IEC 60068-2-27	50 gn (11 ms) except XCKN2●49●● and XCKN●●39: 15 gn, XCKN2●08●●: 20 gn and XCKN2●45●●: 35 gn
Electric shock protection		Class II conforming to IEC 61140 and NF C 20030
Degree of protection		IP 65 conforming to IEC 60529; IK 04 conforming to IEC 62262
Cable entry		Depending on model: tapped entry for ISO M20 x 1.5 or Pg 11 cable gland, ISO M 16 x 1.5 cable gland or PF 1/2 (G 1/2).
Materials	Bodies	Plastic
	Heads	Plastic
Contact block characteristics		
Rated operational characteristics		~ AC-15; A300 (U _e = 240 V, I _e = 3 A); I _{the} = 10 A ≡ DC-13; R300 (U _e = 250 V, I _e = 0.1 A), conforming to IEC 60947-5-1 Appendix A, EN 60947-5-1
Rated insulation voltage	2-pole contact	U _i = 500 V degree of pollution 3 conforming to IEC 60947-1 U _i = 300 V conforming to UL 508, CSA C22-2 n° 14
Rated impulse withstand voltage	2-pole contact	U _{imp} = 6 kV conforming to IEC 60947-1, IEC 60664
Positive operation		NC contacts with positive opening operation conforming to IEC 60947-5-1 Appendix K, EN 60947-5-1
Short-circuit protection		10 A cartridge fuse type gG (gl)
Connection	Screw clamp terminals	Clamping capacity, min: 1 x 0.34 mm ² , max: 2 x 1.5 mm ²

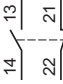
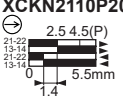
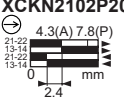
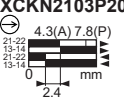
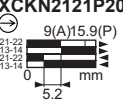
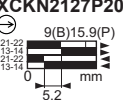
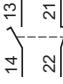
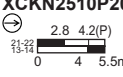
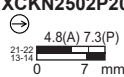
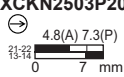

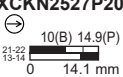
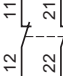

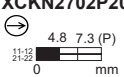
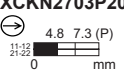
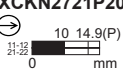
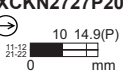
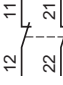
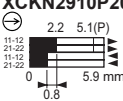
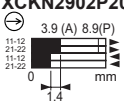
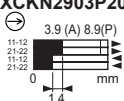
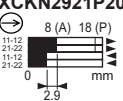
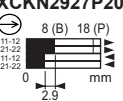



Limit switches

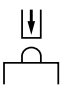
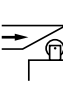


XC Basic range

Compact design, plastic, XCKN
Complete switches with 1 cable entry

Type of head	Plunger (fixing by the body)				
					

Type of operator	Metal end plunger	Plastic roller plunger for lateral cam approach	Plastic roller plunger for traverse cam approach	Thermoplastic roller lever plunger, horizontal actuation in 1 direction	Thermoplastic roller lever plunger, vertical actuation in 1 direction
Sold and packed in lots of	20	20	20	20	20

References of complete switches with 1 ISO M20 x 1.5 cable entry						
	2-pole NC + NO snap action	XCKN2110P20 	XCKN2102P20 	XCKN2103P20 	XCKN2121P20 	XCKN2127P20 
	2-pole NC + NO break before make, slow break	XCKN2510P20 	XCKN2502P20 	XCKN2503P20 	XCKN2521P20 	XCKN2527P20 
	2-pole NC + NC simultaneous, slow break	XCKN2710P20 	XCKN2702P20 	XCKN2703P20 	XCKN2721P20 	XCKN2727P20 
	2-pole NC + NC snap action	XCKN2910P20 	XCKN2902P20 	XCKN2903P20 	XCKN2921P20 	XCKN2927P20 
Weight (kg)		0.065	0.065	0.065	0.070	0.070
Contact operation		 closed  open	(A) (B) = cam displacement (P) = positive opening point	 NC contact with positive opening operation		

Characteristics					
Switch actuation	On end	By 30° cam			
Type of actuation					
Maximum actuation speed	0.5 m/s	0.3 m/s	1 m/s		
Mechanical durability (in millions of operating cycles)	10				
Minimum force or torque	For tripping	15 N	12 N	6 N	
	For positive opening	30 N	20 N	10 N	
Cable entry	1 entry tapped M20 x 1.5 mm for ISO cable gland, clamping capacity 7 to 13 mm				

References of complete switches with 1 Pg 11 cable entry
 For complete switches with 1 Pg 11 cable entry replace P20 by **G11**.
 Example: XCKN2110P20 becomes **XCKN2110G11**.

Other cable entries
 For complete switches with ISO M16 x 1.5 or PF 1/2 (G 1/2) cable entry, please consult our Customer Care Centre.

Other contacts
 For complete switches with 2-pole contacts:
 NO + NC make before break, slow break,
 NO + NO simultaneous, slow break, please consult our Customer Care Centre.
 For complete switches with 3-pole contacts:
 NC + NO + NO snap action,
 NC + NC + NO snap action,
 NC + NC + NO break before make, slow break,
 NC + NO + NO break before make, slow break, please consult our Customer Care Centre.

Limit switches

XC Basic range

Compact design, plastic, XCKN

Complete switches with 1 cable entry

Type of head	Rotary (fixing by the body)				Multi-directional	
Type of operator	Thermoplastic roller lever	Variable length thermoplastic roller lever	Thermoplastic roller lever, Ø 50 mm	Variable length thermoplastic roller lever, Ø 50 mm	Spring rod	"Cat's whisker"
Sold and packed in lots of	20	20	20	20	20	20

References of complete switches with 1 ISO M20 x 1.5 cable entry

	2-pole NC + NO snap action	XCKN2118P20 	XCKN2145P20 	XCKN2139P20 	XCKN2149P20 	XCKN2108P20 	XCKN2106P20
	2-pole NC + NO break before make, slow break	XCKN2518P20 	XCKN2545P20 	XCKN2539P20 	XCKN2549P20 	XCKN2508P20 	XCKN2506P20
	2-pole NC + NC simultaneous, slow break	XCKN2718P20 	XCKN2745P20 	XCKN2739P20 	XCKN2749P20 	XCKN2708P20 	XCKN2706P20
	2-pole NC + NC snap action	XCKN2918P20 	XCKN2945P20 	XCKN2939P20 	XCKN2949P20 	XCKN2908P20 	XCKN2906P20
Weight (kg)		0.085	0.090	0.110	0.115	0.085	0.075
Contact operation				(A) (B) = cam displacement (P) = positive opening point			

Characteristics

Switch actuation	By 30° cam	By any moving part
Type of actuation		
Maximum actuation speed	1.5 m/s	1 m/s (any direction)
Mechanical durability	10 million operating cycles	5 million operating cycles
Minimum force or torque	For tripping: 0.1 N.m For positive opening: 0.15 N.m	0.13 N.m
Cable entry	1 entry tapped M20 x 1.5 mm for ISO cable gland, clamping capacity 7 to 13 mm	

References of complete switches with 1 Pg 11 cable entry

For complete switches with 1 Pg 11 cable entry replace P20 by G11.

Example: XCKN2118P20 becomes **XCKN2118G11**.

Other cable entries

For complete switches with ISO M16 x 1.5 or PF 1/2 (G 1/2) cable entry, please consult our Customer Care Centre.

Other contacts

For complete switches with 2-pole contacts:

NO + NC make before break, slow break,

NO + NO simultaneous, slow break, please consult our Customer Care Centre.

For complete switches with 3-pole contacts:

NC + NO + NO snap action,


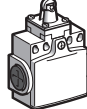
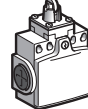
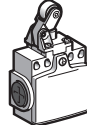
NC + NC + NO snap action,


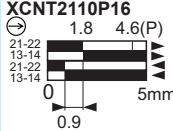
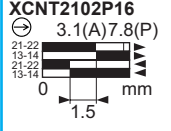
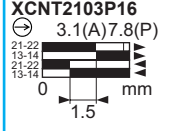
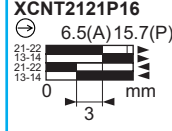

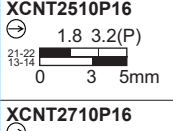
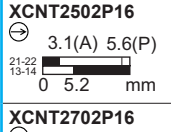
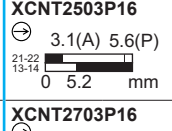
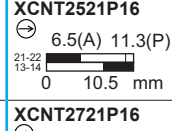
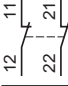
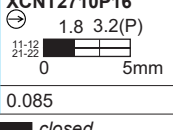
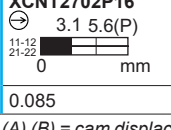
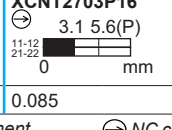
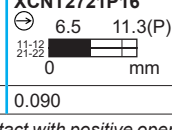
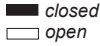
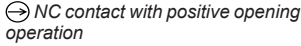
NC + NC + NO break before make, slow break,

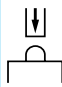
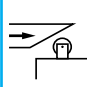
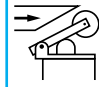
NC + NO + NO break before make, slow break, please consult our Customer Care Centre.

Limit switches

XC Basic range
Compact design, plastic, XCNT
Complete switches with 2 cable entries

Type of head	Plunger (fixing by the body)			
Type of operator				
Sold and packed in lots of	10	10	10	10

References of complete switches with 2 ISO M16 x 1.5 cable entries				
 2-pole NC + NO snap action	 XCNT2110P16 1.8 4.6(P)	 XCNT2102P16 3.1(A) 7.8(P)	 XCNT2103P16 3.1(A) 7.8(P)	 XCNT2121P16 6.5(A) 15.7(P)
 2-pole NC + NO break before make, slow break	 XCNT2510P16 1.8 3.2(P)	 XCNT2502P16 3.1(A) 5.6(P)	 XCNT2503P16 3.1(A) 5.6(P)	 XCNT2521P16 6.5(A) 11.3(P)
 2-pole NC + NC simultaneous, slow break	 XCNT2710P16 1.8 3.2(P)	 XCNT2702P16 3.1 5.6(P)	 XCNT2703P16 3.1 5.6(P)	 XCNT2721P16 6.5 11.3(P)
Weight (kg)	0.085	0.085	0.085	0.090
Contact operation	 (A) (B) = cam displacement (P) = positive opening point  NC contact with positive opening operation			

Characteristics			
Switch actuation	On end	By 30° cam	
Type of actuation			
Maximum actuation speed	0.5 m/s	0.3 m/s	1 m/s
Mechanical durability (in millions of operating cycles)	10		
Minimum force or torque	For tripping	15 N	12 N
	For positive opening	30 N	20 N
Cable entry	2 entries tapped M16 x 1.5 mm for ISO cable gland, clamping capacity 4 to 8 mm		

References of complete switches with 2 Pg 11 cable entries
 For complete switches with 2 Pg 11 cable entries replace P16 by **G11**.
 Example: XCNT2110P16 becomes **XCNT2110G11**.

Complete switches with 1/2" NPT cable entry
 For complete switches with 1/2" NPT cable entry use adaptor DE9 RA1012 (compatible with XCNT●●●●G11).



Description	Sold in lots of	Unit reference	Weight kg
Adaptor for 1/2" NPT conduit (male Pg 11 / female 1/2" NPT)	10	DE9RA1012	0.050

Other contacts
 For complete switches with 2-pole contacts:
 NO + NC make before break, slow break,
 NO + NO simultaneous, slow break, please consult our Customer Care Centre.

Limit switches

XC Basic range

Compact design, plastic, XCNT

Complete switches with 2 cable entries

Type of head	Rotary (fixing by the body)				Multi-directional	
Type of operator	Thermoplastic roller lever	Variable length thermoplastic roller lever	Thermoplastic roller lever, Ø 50 mm	Variable length thermoplastic roller lever, Ø 50 mm	Spring rod	"Cat's whisker"
Sold and packed in lots of	10	10	10	10	8	8

References of complete switches with 2 ISO M16 x 1.5 cable entries

	XCNT2118P16 25° 70° (P) 	XCNT2145P16 25° 70° (P) 	XCNT2139P16 25° 70° (P) 	XCNT2149P16 25° 70° (P) 	XCNT2108P16 20° 	XCNT2106P16 20°
	XCNT2518P16 25° 46° (P) 	XCNT2545P16 25° 46° (P) 	XCNT2539P16 25° 46° (P) 	XCNT2549P16 25° 46° (P) 	XCNT2508P16 20° 	XCNT2506P16 20°
	XCNT2718P16 25° 46° (P) 	XCNT2745P16 25° 46° (P) 	XCNT2739P16 25° 46° (P) 	XCNT2749P16 25° 46° (P) 	XCNT2708P16 20° 	XCNT2706P16 20°
Weight (kg)	0.105	0.120	0.120	0.120	0.100	0.090
Contact operation				(A) (B) = cam displacement (P) = positive opening point		

Characteristics

Switch actuation	By 30° cam	By any moving part
Type of actuation		
Maximum actuation speed	1.5 m/s	1 m/s (any direction)
Mechanical durability	10 million operating cycles	5 million operating cycles
Minimum force or torque	For tripping: 0.1 N.m For positive opening: 0.15 N.m	0.13 N.m
Cable entry	2 entries tapped M16 x 1.5 mm for ISO cable gland, clamping capacity 4 to 8 mm	

References of complete switches with 2 Pg 11 cable entries

For complete switches with 2 Pg 11 cable entries replace P16 by G11.
Example: XCNT2118P16 becomes **XCNT2118G11**.

Complete switches with 1/2" NPT cable entry

For complete switches with 1/2" NPT cable entry use adaptor DE9 RA1012 (compatible with XCNT●●●G11).



DE9RA1012

Description	Sold in lots of	Unit reference	Weight kg
Adaptor for 1/2" NPT conduit (male Pg 11 / female 1/2" NPT)	10	DE9RA1012	0.050

Other contacts

For complete switches with 2-pole contacts:
NO + NC make before break, slow break,
NO + NO simultaneous, slow break, please consult our Customer Care Centre.

Limit switches

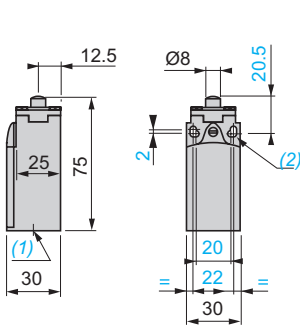
XC Basic range

Compact design, plastic, XCKN

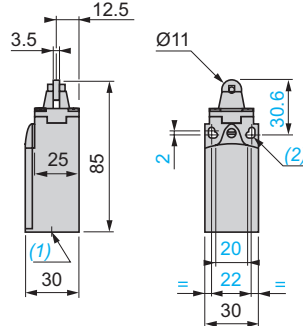
Complete switches with 1 cable entry

Dimensions

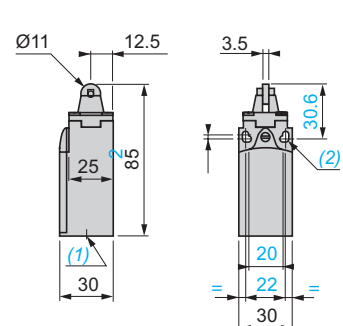
XCKN2●10P20



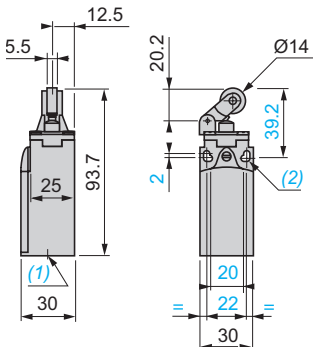
XCKN2●02P20



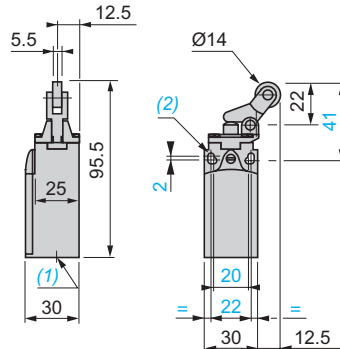
XCKN2●03P20



XCKN2●21P20

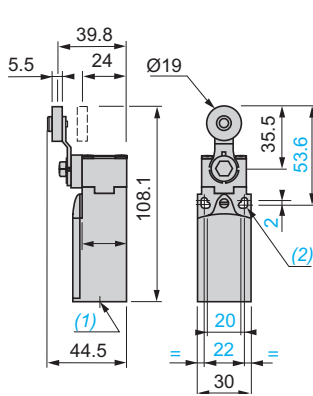


XCKN2●27P20

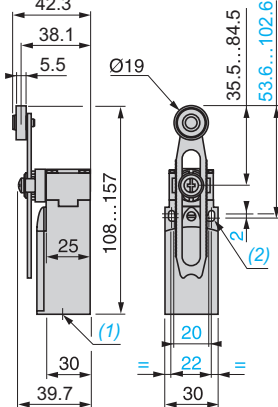


(1) 1 tapped entry for ISOM20 x 1.5 or Pg 11 cable gland.
 (2) Ø: 2 elongated holes Ø 4.3 x 6.3 on 22 mm centres, 2 holes Ø 4.3 on 20 mm centres.

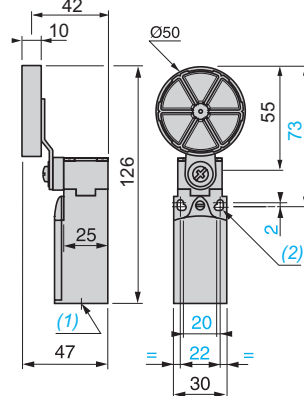
XCKN2●18P20



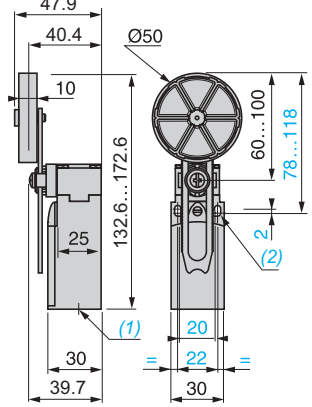
XCKN2●45P20



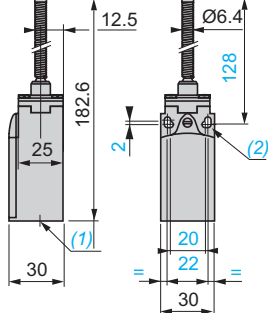
XCKN2●39P20



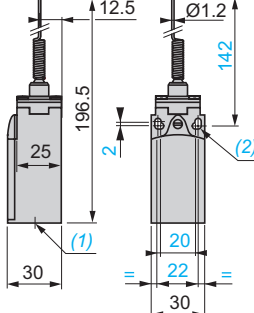
XCKN2●49P20



XCKN2●08P20



XCKN2●06P20



(1) 1 tapped entry for ISOM20 x 1.5 or Pg 11 cable gland.
 (2) Ø: 2 elongated holes Ø 4.3 x 6.3 on 22 mm centres, 2 holes Ø 4.3 on 20 mm centres.

Limit switches

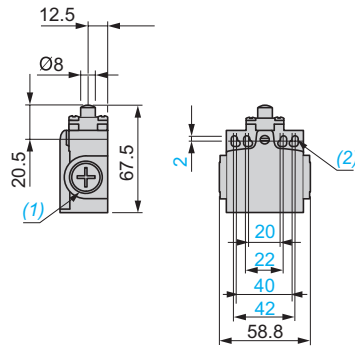
XC Basic range

Compact design, plastic, XCNT

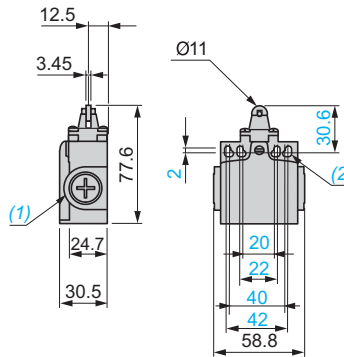
Complete switches with 2 cable entries

Dimensions

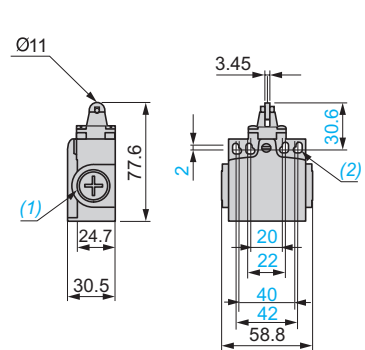
XCNT2•10P20



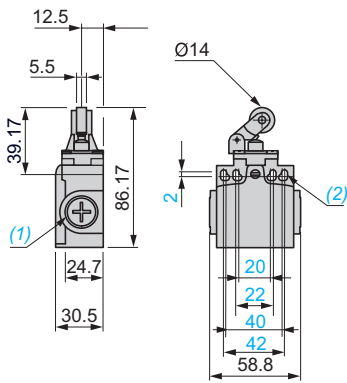
XCNT2•02P20



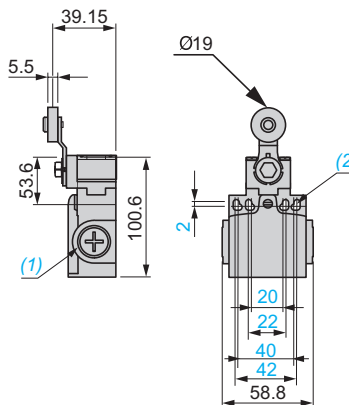
XCNT2•03P20



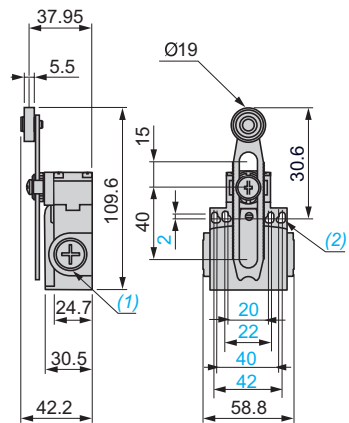
XCNT2•21P20



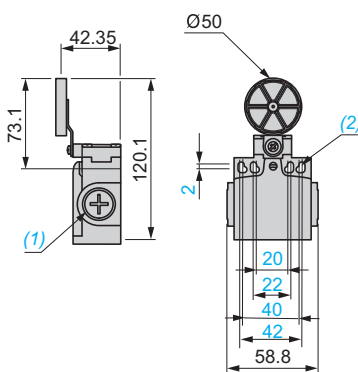
XCNT2•18P16



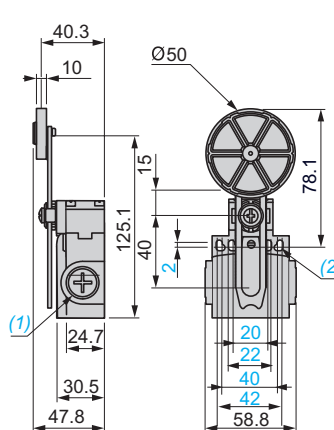
XCNT2•45P16



XCNT2•39P16

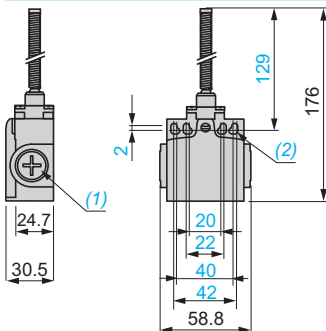


XCNT2•49P16

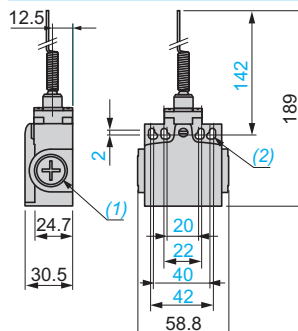


(1) 2 tapped entries for ISOM16 x 1.5 or Pg 11 cable gland.
(2) Ø: 4 elongated holes Ø 4.3 x 6.3

XCNT2•08P16



XCNT2•06P16



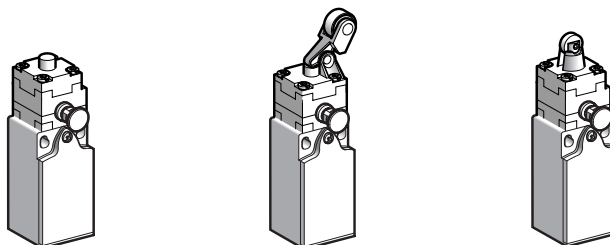
Limit switches

XC Basic range

Compact design, plastic, with reset knob,
XCNR and XCNTTR

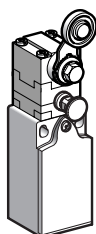
■ **XCNR**
with 1 cable entry

□ With head for linear movement (plunger)



Page 112

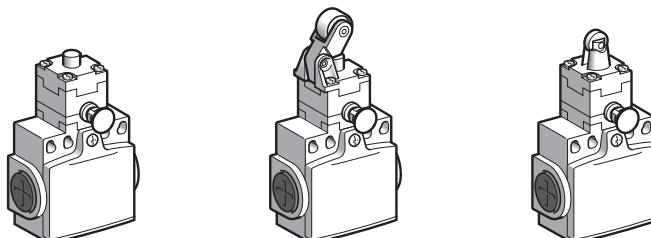
□ With head for rotary movement (lever)



Page 112

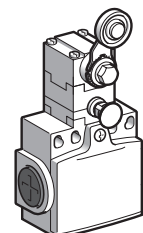
■ **XCNTTR**
with 2 cable entries

□ With head for linear movement (plunger)



Page 113

□ With head for rotary movement (lever)



Page 113

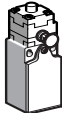
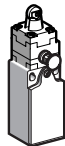

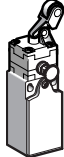
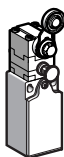
Environment characteristics		
Conformity to standards	Products	CE, IEC 60947-5-1, EN 60947-5-1, UL 508, CSA C22-2 n° 14, EAC
	Machine assemblies	IEC 60204-1, EN 60204-1
Product certifications		UL, CSA, CCC
Protective treatment	Version	Standard: "TC"
Ambient air temperature	For operation	- 25...+ 70°C
	For storage	- 40...+ 70°C
Vibration resistance	Conforming to IEC 60068-2-6	25 gn (10...500 Hz)
Shock resistance	Conforming to IEC 60068-2-27	50 gn (11 ms)
Electric shock protection		Class II conforming to IEC 61140 and NF C 20030
Degree of protection		IP 65 conforming to IEC 60529; IK 04 conforming to IEC 62262
Cable entry		Depending on model: tapped entry, for ISO M20 x 1.5 or Pg 11 cable gland, ISO M16 x 1.5 cable gland or PF 1/2 (G 1/2)
Materials	Bodies	Plastic
	Heads	Plastic
Contact block characteristics		
Rated operational characteristics		~ AC-15; A300 (U _e = 240 V, I _e = 3 A); I _{the} = 10 A ≡ DC-13; R300 (U _e = 250 V, I _e = 0.1 A), conforming to IEC 60947-5-1 Appendix A, EN 60947-5-1
Rated insulation voltage	2-pole contact	U _i = 500 V degree of pollution 3 conforming to IEC 60947-1 U _i = 300 V conforming to UL 508, CSA C22-2 n° 14
Rated impulse withstand voltage	2-pole contact	U _{imp} = 6 kV conforming to IEC 60947-1, IEC 60664
Positive operation		NC contacts with positive opening operation conforming to IEC 60947-5-1 Appendix K, EN 60947-5-1
Short-circuit protection		10 A cartridge fuse type gG (gl)
Connection	Screw clamp terminals	Clamping capacity, min: 1 x 0.34 mm ² , max: 2 x 1.5 mm ²

Limit switches

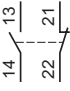
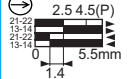
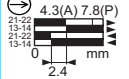
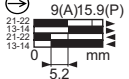
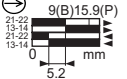
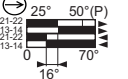


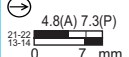
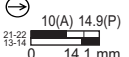

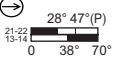
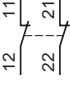


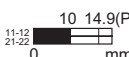

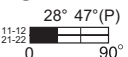
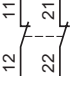







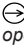
XC Basic range

Compact design, plastic, with reset knob, XCNR

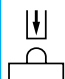

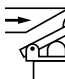


Complete switches with 1 cable entry

Type of head	Plunger (fixing by the body)				Rotary (fixing by the body)
					
Type of operator	Metal end plunger	Plastic roller plunger	Thermoplastic roller lever plunger, horizontal actuation in 1 direction	Thermoplastic roller lever plunger, vertical actuation in 1 direction	Thermoplastic roller lever
Sold and packed in lots of	10	10	10	10	10

References of complete switches with 1 ISO M20 x 1.5 cable entry

 2-pole NC + NO snap action	XCNR2110P20 	XCNR2102P20 	XCNR2121P20 	XCNR2127P20 	XCNR2118P20 
 2-pole NC + NO break before make, slow break	XCNR2510P20 	XCNR2502P20 	XCNR2521P20 	XCNR2527P20 	XCNR2518P20 
 2-pole NC + NC simultaneous, slow break	XCNR2710P20 	XCNR2702P20 	XCNR2721P20 	XCNR2727P20 	XCNR2718P20 
 2-pole NC + NC snap action	XCNR2910P20 	XCNR2902P20 	XCNR2921P20 	XCNR2927P20 	XCNR2918P20 
Weight (kg)	0.080	0.080	0.085	0.090	0.100
Contact operation	 closed  open		(A) (B) = cam displacement (P) = positive opening point		 NC contact with positive opening operation

Characteristics

Switch actuation	On end	By 30° cam			
Type of actuation					
Maximum actuation speed	0.5 m/s	0.3 m/s	1 m/s		1.5 m/s
Mechanical durability	100,000 operating cycles				
Minimum force or torque	For tripping	15 N	12 N	6 N	0.1 N.m
	For positive opening	30 N	20 N	10 N	0.15 N.m
Cable entry	1 entry tapped M20 x 1.5 mm for ISO cable gland, clamping capacity 7 to 13 mm				

References of complete switches with 1 Pg 11 cable entry

For complete switches with 1 Pg 11 cable entry replace P20 by G11.
Example: XCNR2110P20 becomes **XCNR2110G11**.

Other cable entries

For complete switches with ISO M16 x 1.5 or PF 1/2 (G 1/2) cable entry, please consult our Customer Care Centre.

Other contacts

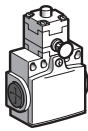
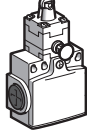
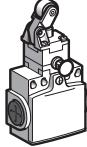
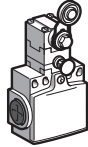
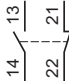
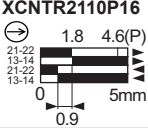
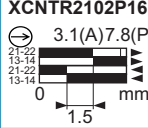
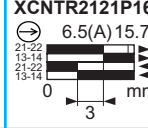
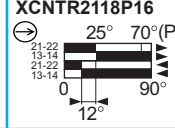

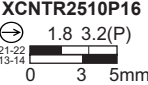
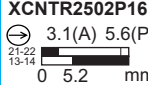

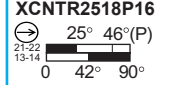
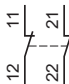
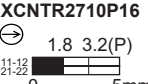
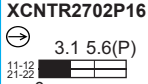
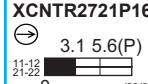
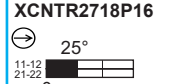


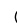
For complete switches with 2-pole contacts:
NC + NO make before break, slow break,
NO + NO simultaneous, slow break, please consult our Customer Care Centre.

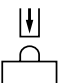
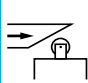
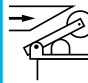
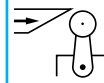
For complete switches with 3-pole contacts:
NC + NO + NO snap action,
NC + NC + NO snap action,
NC + NC + NO break before make, slow break,
NC + NO + NO break before make, slow break, please consult our Customer Care Centre.

Limit switches

XC Basic range

Compact design, plastic, with reset knob, XCNTR
Complete switches with 2 cable entries

Type of head	Plunger (fixing by the body)			Rotary (fixing by the body)
				
Type of operator	Metal end plunger	Plastic roller plunger	Thermoplastic roller lever plunger, horizontal actuation in 1 direction	Thermoplastic roller lever
Sold and packed in lots of	10	10	10	10
References of complete switches with 2 ISO M16 x 1.5 cable entries				
 2-pole NC + NO snap action	XCNTR2110P16 	XCNTR2102P16 	XCNTR2121P16 	XCNTR2118P16 
 2-pole NC + NO break before make, slow break	XCNTR2510P16 	XCNTR2502P16 	XCNTR2521P16 	XCNTR2518P16 
 2-pole NC + NC simultaneous, slow break	XCNTR2710P16 	XCNTR2702P16 	XCNTR2721P16 	XCNTR2718P16 
Weight (kg)	0.105	0.110	0.135	0.095
Contact operation	 closed  open	(A) (B) = cam displacement (P) = positive opening point		 NC contact with positive opening operation

Characteristics				
Switch actuation	On end	By 30° cam		
Type of actuation				
Maximum actuation speed	0.5 m/s	0.3 m/s	1 m/s	1.5 m/s
Mechanical durability	100 000 operating cycles			
Minimum force or torque	For tripping	15 N	12 N	6 N
	For positive opening	30 N	20 N	10 N
Cable entry	2 entries tapped M16 x 1.5 mm for ISO cable gland, clamping capacity 4 to 8 mm			

References of complete switches with 2 Pg 11 cable entries

For complete switches with 2 Pg 11 cable entries replace P16 by G11.
Example: XCNTR2110P16 becomes **XCNTR2110G11**.

Complete switches with 1/2" NPT cable entry

For complete switches with 1/2" NPT cable entry use adaptor DE9 RA1012 (compatible with XCNTR●●●●G11).



DE9RA1012

Description	Sold in lots of	Unit reference	Weight kg
Adaptor for 1/2" NPT conduit (male Pg 11 / female 1/2" NPT)	10	DE9RA1012	0.050

Other contacts

For complete switches with 2-pole contacts:
NO + NC make before break, slow break,
NO + NO simultaneous, slow break, please consult our Customer Care Centre.

Limit switches

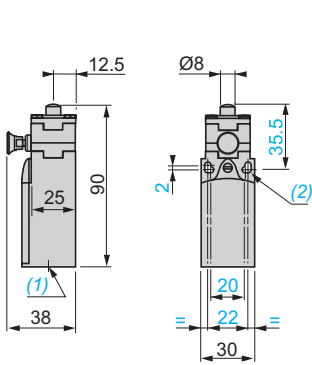
XC Basic range

Compact design, plastic, with reset knob, XCNR

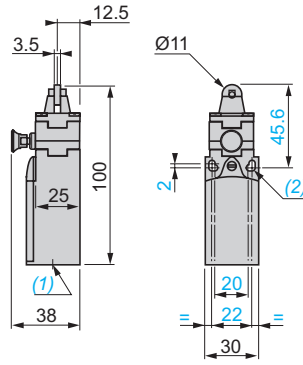
Complete switches with 1 cable entry

Dimensions

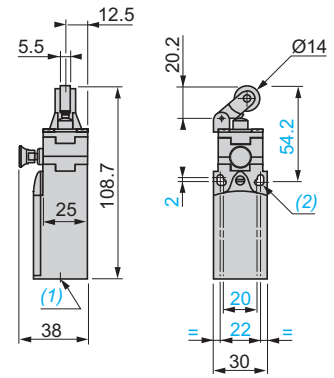
XCNR2•10P20



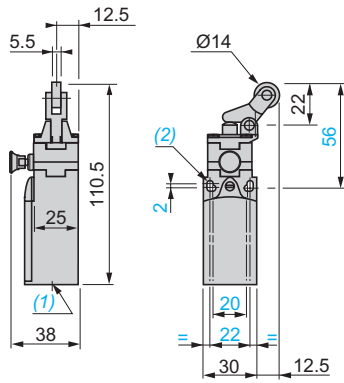
XCNR2•02P20



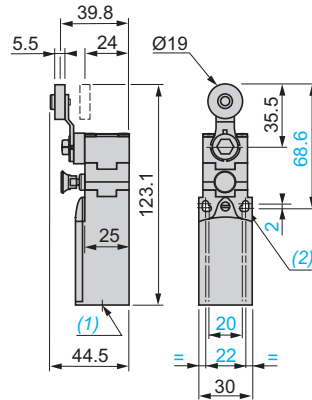
XCNR2•21P20



XCNR2•27P20



XCNR2•18P20



(1) 1 tapped entry for ISO M20 x 1.5 or Pg 11 cable gland.

(2) Ø: 2 elongated holes Ø 4.3 x 6.3 on 22 mm centres, 2 holes Ø 4.3 on 20 mm centres.

Limit switches

XC Basic range

Compact design, plastic, with reset knob, XCNTR

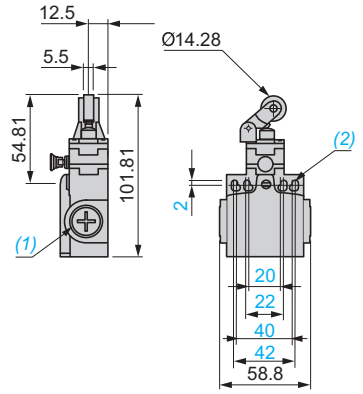
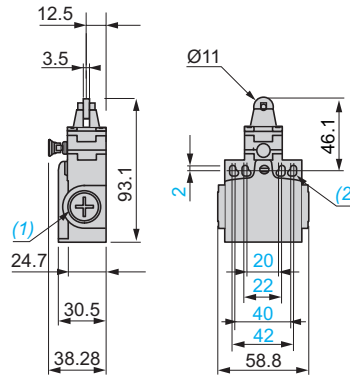
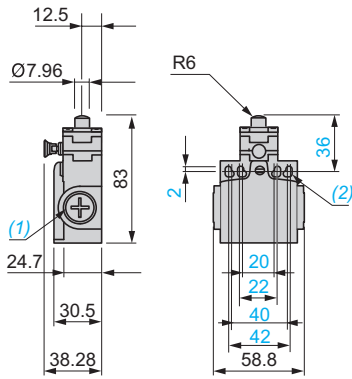
Complete switches with 2 cable entries

Dimensions

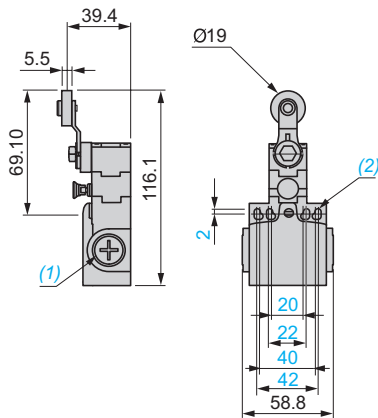
XCNTR2●10P16

XCNTR2●02P16

XCNTR2●21P16



XCNTR2●18P16



(1) 2 tapped entries for ISO M16 x 1.5 or Pg 11 cable gland.
 (2) \varnothing : 4 elongated holes $\varnothing 4.3 \times 6.3$.

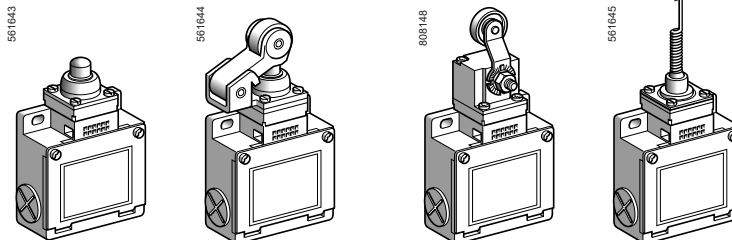
Limit switches

XC Standard range, Classic format
Metal, XCKM, XCKL and XCKML

■ **XCKM,**
with 3 cable entries

□ With head for linear movement
(plunger)

□ With head for rotary movement
(lever) or multi-directional

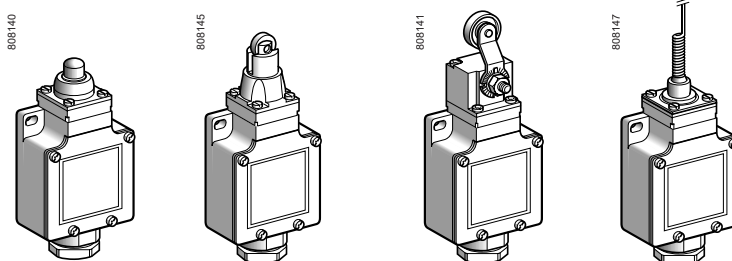


Page 118

■ **XCKL,**
with 1 cable entry

□ With head for linear movement
(plunger)

□ With head for rotary movement
(lever) or multi-directional

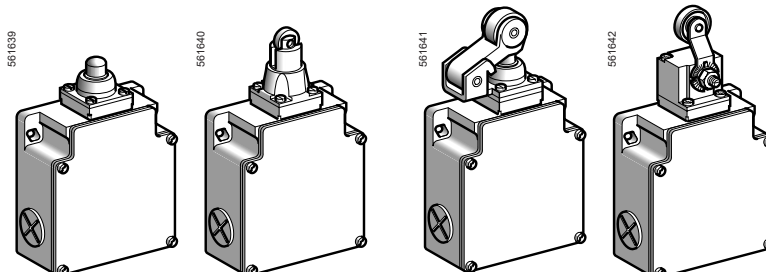


Page 120

■ **XCKML,**
with 3 cable entries and 2 x 2-pole contacts

□ With head for linear movement
(plunger)

□ With head for rotary movement
(lever)



Page 122

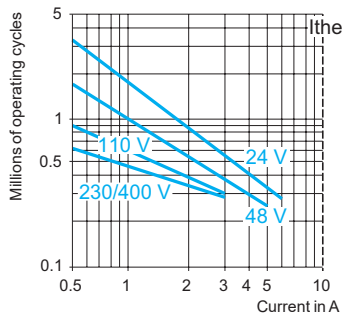
Environment characteristics

Conformity to standards	Products	IEC 60947-5-1, EN 60947-5-1, UL 508, CSA C22-2 n° 14
	Machine assemblies	IEC 60204-1, EN 60204-1
Product certifications		UL, CSA CCC (only for XCKM) BV (only for XCKM and XCKL)
Protective treatment	Version	Standard: "TC". Special: "TH"
Ambient air temperature	For operation	- 25...+ 70°C
	For storage	- 40...+ 70°C
Vibration resistance	Conforming to IEC 60068-2-6	25 gn (10...500 Hz)
Shock resistance	Conforming to IEC 60068-2-27	50 gn (11 ms)
Electric shock protection		Class I conforming to IEC 61140 and NF C 20-030
Degree of protection		IP 66 conforming to IEC 60529; IK 05 conforming to IEC 62262
Repeat accuracy		XCKML 0.1 mm; XCKM and XCKL 0.05 mm on the tripping points, with 1 million operating cycles for head with end plunger
Cable entry or connector	Depending on model	XCKM: 3 tapped entries for Pg 11 cable gland or tapped ISO M20, or with 1/2" NPT adaptor XCKL: 1 tapped entry incorporating Pg 13.5 cable gland or 1 entry tapped 1/2" NPT XCKML: 3 tapped entries for Pg 13.5 cable gland or tapped ISO M20
Materials		Bodies: Zamak. Rotary heads: Zamak or plastic, depending on product reference. Other heads: plastic

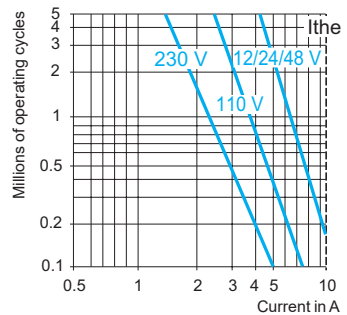
Contact block characteristics		
Rated operational characteristics	XE2●P	~ AC-15; A300 (Ue = 240 V, Ie = 3 A); Ithe = 10 A --- DC-13; Q300 (Ue = 250 V, Ie = 0.27 A), conforming to IEC 60947-5-1 Appendix A, EN 60947-5-1
	XE3●P	~ AC-15; B300 (Ue = 240 V, Ie = 1.5 A); Ithe = 6 A --- DC-13; R300 (Ue = 250 V, Ie = 0.1 A), conforming to IEC 60947-5-1 Appendix A, EN 60947-5-1
Rated insulation voltage	XE2●P	Ui = 500 V degree of pollution 3 conforming to IEC 60947-1 Ui = 300 V conforming to UL 508, CSA C22-2 n° 14
	XE3●P	Ui = 400 V degree of pollution 3 conforming to IEC 60947-1 Ui = 300 V conforming to UL 508, CSA C22-2 n° 14
Rated impulse withstand voltage	XE2●P	U imp = 6 kV conforming to IEC 60947-1, IEC 60664
	XE3●P	U imp = 4 kV conforming to IEC 60947-1, IEC 60664
Positive operation (depending on model)		NC contacts with positive opening operation conforming to IEC 60947-5-1 Appendix K, EN 60947-5-1
Resistance across terminals		≤ 25 mΩ conforming to IEC 60255-7 category 3
Short-circuit protection	XE2●P	10 A cartridge fuse type gG (gl)
	XE3●P	6 A cartridge fuse type gG (gl)
Connection (screw clamp terminals)	XE2SP21●1	Clamping capacity, min: 1 x 0.34 mm ² , max: 2 x 1.5 mm ²
	XE2NP21●1	Clamping capacity, min: 1 x 0.5 mm ² , max: 2 x 2.5 mm ²
	XESP2151L and XENP2151L	Clamping capacity, min: 1 x 0.34 mm ² , max: 2 x 1.5 mm ² or 1 x 2.5 mm ²
	XE3NP and XE3SP	Clamping capacity, min: 1 x 0.34 mm ² , max: 1 x 1 mm ² or 2 x 0.75 mm ²
Minimum actuation speed		XE2SP21●1, XESP2151L and XE3SP : 0.01 m/minute XE2NP21●1, XENP2151L and XE3NP : 6 m/minute
Electrical durability		<ul style="list-style-type: none"> ■ Conforming to IEC 60947-5-1 Appendix C ■ Utilisation categories AC-15 and DC-13 ■ Maximum operating rate: 3600 operating cycles/hour ■ Load factor: 0.5

AC supply
50/60 Hz ~
mm inductive circuit

XE2SP21●1, XE2SP2141, XESP2151L



XE2NP21●1, XENP2151L



DC supply ---

Power broken in W for 5 million operating cycles.

Voltage	V	24	48	120
mm	W	10	7	4

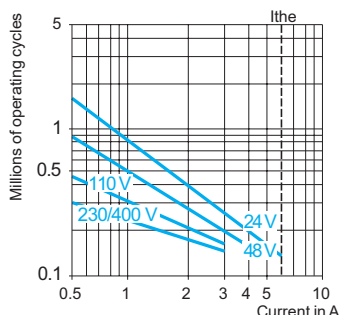
Power broken in W for 5 million operating cycles.

Voltage	V	24	48	120
mm	W	13	9	7

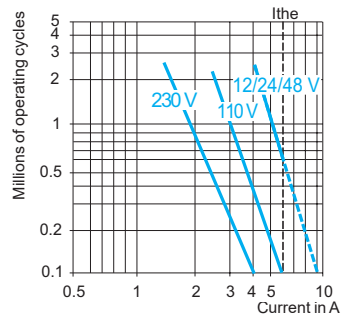
For XE2SP●151 on ~ or ---, NC and NO contacts simultaneously loaded to the values shown with reverse polarity.

AC supply
50/60 Hz ~
mm inductive circuit

XE3SP●●●●



XE3NP●●●●



DC supply ---

Power broken in W for 5 million operating cycles.

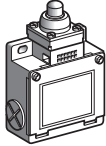
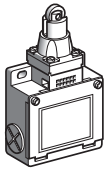
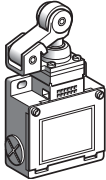
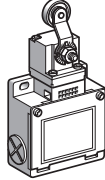
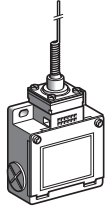
Voltage	V	24	48	120
mm	W	3	2	1

Power broken in W for 5 million operating cycles.

Voltage	V	24	48	120
mm	W	4	3	2

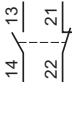




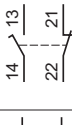




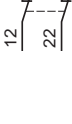




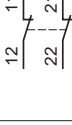




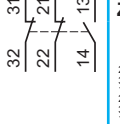




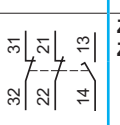







Limit switches

XC Standard range, Classic format
Metal, XCKM
Complete units with 3 cable entries

Type of head	Plunger (fixing by the body)	Rotary (fixing by the body)	Multi-directional, (fixing by the body)
			
			

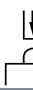
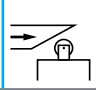
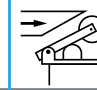
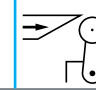
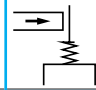
Type of operator	Metal end plunger	Steel roller plunger	Thermoplastic roller lever plunger, horizontal actuation in 1 direction	Thermoplastic roller lever (1)	"Cat's whisker" (2)
------------------	-------------------	----------------------	---	--------------------------------	---------------------

References of complete units with 3 ISO M20 x 1.5 cable entries (3)

2-pole NC + NO snap action (XE2SP2151)		XCKM110H29 	XCKM102H29 	XCKM121H29 	XCKM115H29 	XCKM106H29
2-pole NC + NO break before make, slow break (XE2NP2151)		XCKM510H29 	XCKM502H29 	XCKM521H29 	XCKM515H29 	XCKM506H29
2-pole NC + NC snap action (XE2SP2141)		ZCKM9H29 + ZCKD10 	ZCKM9H29 + ZCKD02 	ZCKM9H29 + ZCKD21 	ZCKM9H29 + ZCKD15 	ZCKM9H29 + ZCKD06
2-pole NC + NC simultaneous, slow break (XE2NP2141)		ZCKM7H29 + ZCKD10 	ZCKM7H29 + ZCKD02 	ZCKM7H29 + ZCKD21 	ZCKM7H29 + ZCKD15 	ZCKM7H29 + ZCKD06
3-pole NC + NC + NO snap action (XE3SP2141)		ZCKMD39H29 + ZCKD10 	ZCKMD39H29 + ZCKD02 	ZCKMD39H29 + ZCKD21 	ZCKMD39H29 + ZCKD15 	ZCKMD39H29 + ZCKD06
3-pole NC + NC + NO break before make, slow break (XE3NP2141)		ZCKMD37H29 + ZCKD10 	ZCKMD37H29 + ZCKD02 	ZCKMD37H29 + ZCKD21 	ZCKMD37H29 + ZCKD15 	ZCKMD37H29 + ZCKD06
Weight (kg)	0.250	0.255	0.300	0.280	0.250	
Contact operation	 closed  open	(A) = cam displacement (P) = positive opening point		 NC contact with positive opening operation		

References of complete units with 3 Pg 11 cable entries

For complete units with 3 Pg 11 cable entries, delete H29 from the end of the reference. Example: XCKM110H29 becomes XCKM110.

Characteristics					
Switch actuation	On end	By 30° cam			By any moving part
Type of actuation					
Maximum actuation speed	0.5 m/s	1.5 m/s			1 m/s (any direction)
Mechanical durability (4) (in millions of operating cycles)	20	15			10
Minimum force or torque	For tripping For positive opening	15 N 45 N	12 N 36 N	8 N 24 N	0.1 N.m 0.25 N.m
Cable entry	3 entries tapped M20 x 1.5 mm for ISO cable gland, clamping capacity 7 to 13 mm				

(1) Adjustable throughout 360° in 5° steps, or in 90° steps by reversing the notched washer.

(2) Value taken with actuation by moving part at 100 mm from the fixing.

(3) Switches with gold contacts or eyelet type connections: please consult our Customer Care Centre.

(4) Limited to 15 million operating cycles for switches with contacts XE3•P.

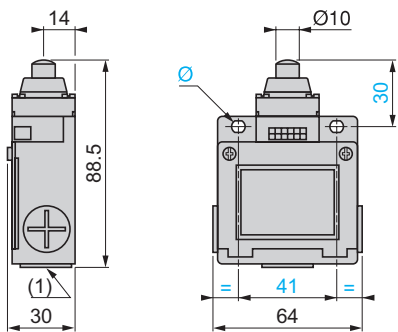
Limit switches

XC Standard range, Classic format

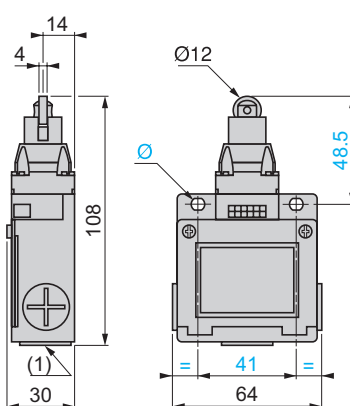
Metal, XCKM

Complete units with 3 cable entries

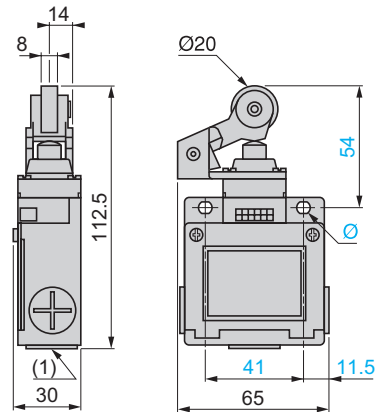
XCKM●10
ZCKMD3● + ZCKD10



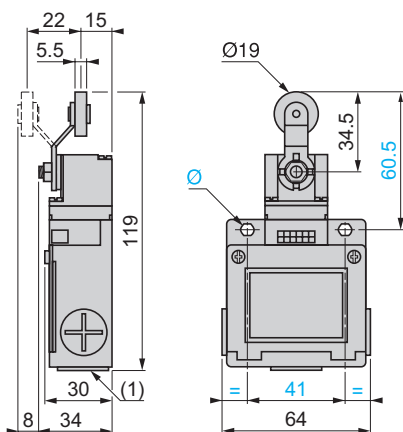
XCKM●02
ZCKMD3● + ZCKD02



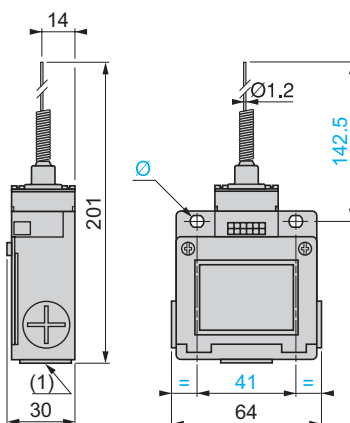
XCKM●21
ZCKMD3● + ZCKD21



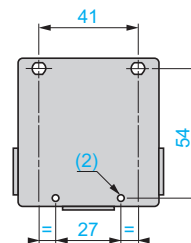
XCKM●15
ZCKMD3● + ZCKD15



XCKM●06
ZCKMD3● + ZCKD06



Rear view XCKM●●●, ZCKM●, ZCKMD3●

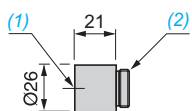


(1) 3 tapped entries for ISO M20 x 1.5 or Pg 11 cable gland or with 1/2" NPT conduit adaptor DE9RA1012.

(2) 2 x Ø 4 H 11, depth 10.

Ø: 2 elongated holes Ø 5.2 x 6.2

Adaptor for 1/2" NPT conduit
DE9RA1012

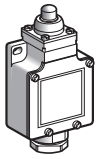
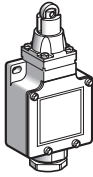
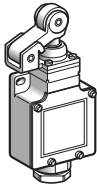
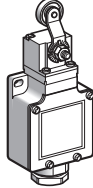
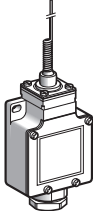


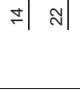
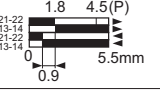
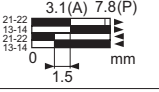
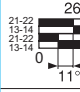
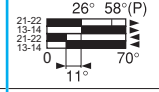
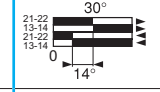
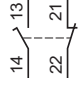
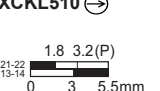
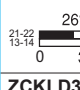
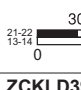
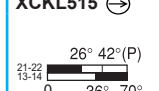
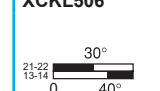
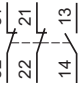


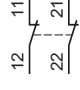
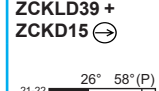
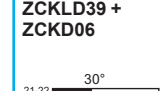


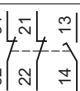

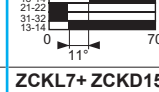
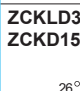




(1) Tapped entry for 1/2" NPT conduit.

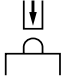
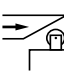
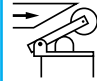
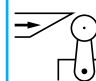
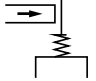
(2) Pg 11 threaded sleeve.

Limit switches

XC Standard range, Classic format
Metal, XCKL
Complete units incorporating Pg 13.5 cable gland

Type of head	Plunger (fixing by the body)			Rotary (fixing by the body)	Multi-directional, (fixing by the body)
					
Type of operator	Metal end plunger	Steel roller plunger	Thermoplastic roller lever plunger, horizontal actuation in 1 direction	Thermoplastic roller lever (1)	"Cat's whisker" (2)

References (3)					
2-pole NC + NO snap action (XE2SP2151)	 XCKL110	 XCKL102	 XCKL121	 XCKL115	 XCKL106
2-pole NC + NO break before make, slow break (XE2NP2151)	 XCKL510	 XCKL502	 XCKL521	 XCKL515	 XCKL506
3-pole NC + NC + NO snap action (XE3SP2141)	 ZCKLD39 + ZCKD10	 ZCKLD39 + ZCKD02	 ZCKLD39 + ZCKD21	 ZCKLD39 + ZCKD15	 ZCKLD39 + ZCKD06
2-pole NC + NC simultaneous, slow break (XE2NP2141)	 ZCKL7 + ZCKD10	 ZCKL7 + ZCKD02	 ZCKL7 + ZCKD21	 ZCKL7 + ZCKD15	 ZCKL7 + ZCKD06
3-pole NC + NC + NO break before make, slow break (XE3NP2141)	 ZCKLD37 + ZCKD10	 ZCKLD37 + ZCKD02	 ZCKLD37 + ZCKD21	 ZCKLD37 + ZCKD15	 ZCKLD37 + ZCKD06
Weight (kg)	0.255	0.260	0.305	0.285	0.255
Contact operation	 closed  open	(A) = cam displacement (P) = positive opening point		 NC contact with positive opening operation	

Characteristics					
Switch actuation	On end	By 30° cam			By any moving part
Type of actuation					
Maximum actuation speed	0.5 m/s	1.5 m/s			1 m/s (any direction)
Mechanical durability (4) (in millions of operating cycles)	20	15			10
Minimum force or torque	For tripping For positive opening	15 N 45 N	12 N 36 N	8 N 24 N	0.1 N.m 0.25 N.m
Cable entry	1 entry incorporating metal cable gland. Clamping capacity 6 to 13.5 mm.				

(1) Adjustable throughout 360° in 5° steps, or in 90° steps by reversing the notched washer.
 (2) Value taken with actuation by moving part at 100 mm from the fixing.
 (3) Switches with gold contacts or eyelet type connections: please consult our Customer Care Centre.
 (4) Limited to 15 million operating cycles for switches with contacts XE3●P.

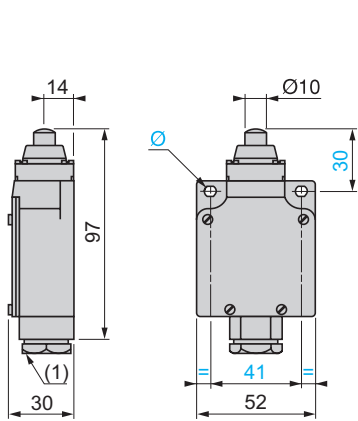
Limit switches

XC Standard range, Classic format

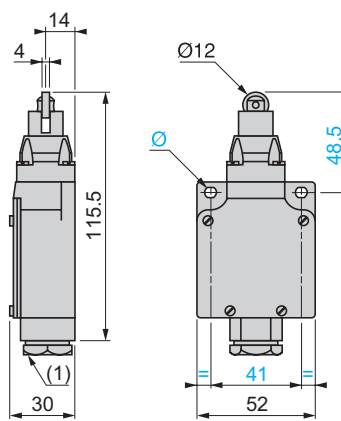
Metal, XCKL

Complete units incorporating Pg 13.5 cable gland

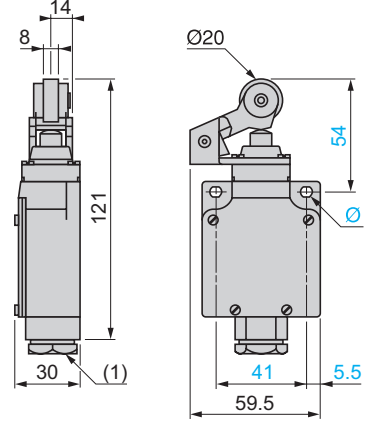
XCKL●10
ZCKL● + ZCKD10
ZCKLD3● + ZCKD10



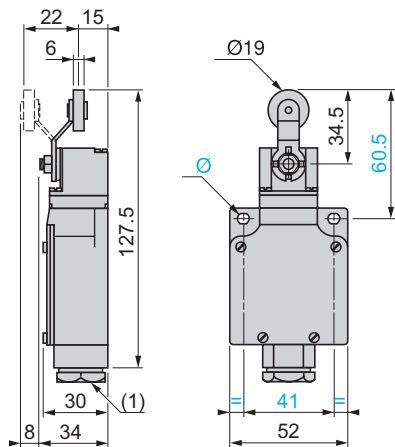
XCKL●02
ZCKL3● + ZCKD02
ZCKLD3● + ZCKD02



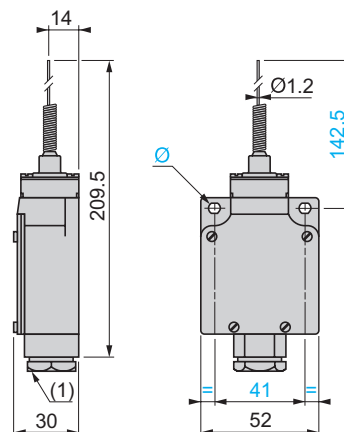
XCKL●21
ZCKL● + ZCKD21
ZCKLD3● + ZCKD21



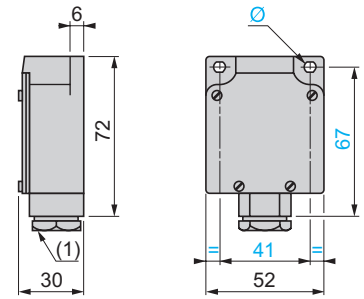
XCKL●15
ZCKL● + ZCKD15
ZCKLD3● + ZCKD15



XCKL●06
ZCKL● + ZCKD06
ZCKLD3● + ZCKD06



Body fixings

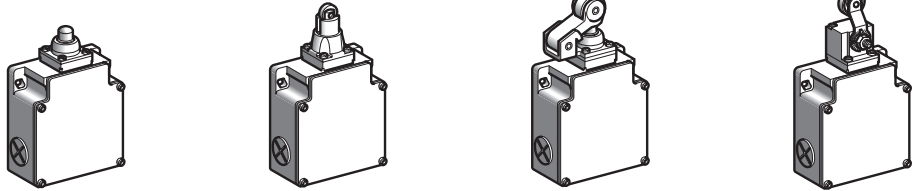


(1) Incorporated Pg 13.5 cable gland
Ø: 2 elongated holes Ø 5.2 x 6.2

Limit switches

XC Standard range, Classic format
Metal, 2 x 2-pole contacts, XCKML
Complete switches with 3 cable entries

Type of head	Plunger (fixing by the body)	Rotary (fixing by the body)	
--------------	------------------------------	-----------------------------	--



Type of operator	Metal end plunger	Steel roller plunger	Thermoplastic roller lever plunger, horizontal actuation in 1 direction	Thermoplastic roller lever (1)
------------------	-------------------	----------------------	---	--------------------------------

References of complete switches with 3 ISO M20 x 1.5 cable entries (2)

2 x 2-pole NC + NO snap action (XESP2151L) 	XCKML110H29 \ominus 	XCKML102H29 \ominus 	XCKML121H29 \ominus 	XCKML115H29 \ominus
2 x 2-pole NC + NO break before make, slow break (XENP2151L) 	XCKML510H29 \ominus 	XCKML502H29 \ominus 	XCKML521H29 \ominus 	XCKML515H29 \ominus

References of complete switches with 3 entries tapped for n° 13 cable gland (2)

2 x 2-pole NC + NO snap action (XESP2151L) 	XCKML110 \ominus 	XCKML102 \ominus 	XCKML121 \ominus 	XCKML115 \ominus
2 x 2-pole NC + NO break before make, slow break (XENP2151L) 	XCKML510 \ominus 	XCKML502 \ominus 	XCKML521 \ominus 	XCKML515 \ominus

Weight (kg)	0.400	0.405	0.450	0.430
Contact operation	closed open	(A) = cam displacement	\ominus NC contact with positive opening operation	
		(P) = positive opening point		

Characteristics

Switch actuation	On end	By 30° cam		
Type of actuation				
Maximum actuation speed	0.5 m/s	1.5 m/s		
Mechanical durability	3 million operating cycles			
Minimum force	For tripping For positive opening	15 N 60 N	12 N 50 N	8 N 50 N
Cable entry	3 entries tapped ISO M20 x 1.5, clamping capacity 7 to 13 mm, or 3 entries tapped for n° 13 cable gland conforming to NF C 68-300 (DIN Pg 13.5), clamping capacity 9 to 12 mm.			

(1) Adjustable throughout 360° in 5° steps, or in 90° steps by reversing the notched washer.
 (2) Switches available with other 2-pole slow break contact blocks: NO + NC make before break, NC + NC simultaneous (with positive opening operation), NO + NO simultaneous. Please consult our Customer Care Centre.

Note: replacement parts

The heads of limit switches XCKML are the same as those for XCKM and XCKL (see heads ZCKD10, ZCKD02, ZCKD21 and ZCKD15 on page 124).

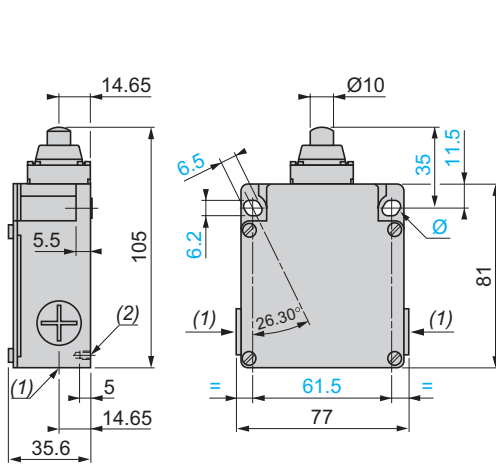
Limit switches

XC Standard range, Classic format

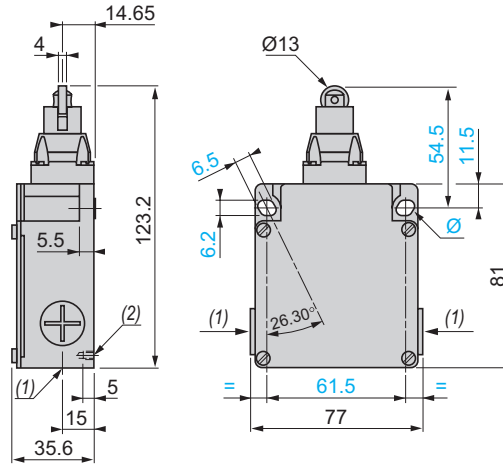
Metal, 2 x 2-pole contacts, XCKML

Complete switches with 3 cable entries

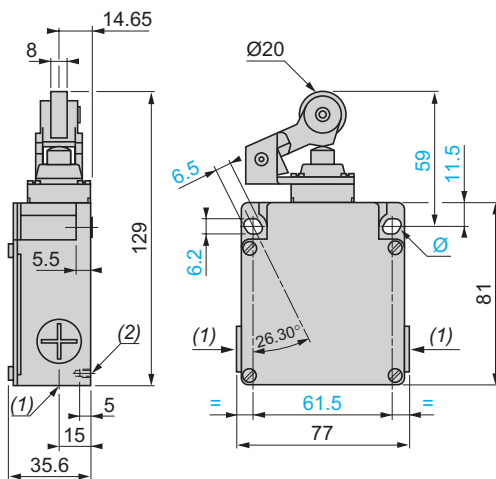
XCKML110H29, XCKML510H29, XCKML110, XCKML510



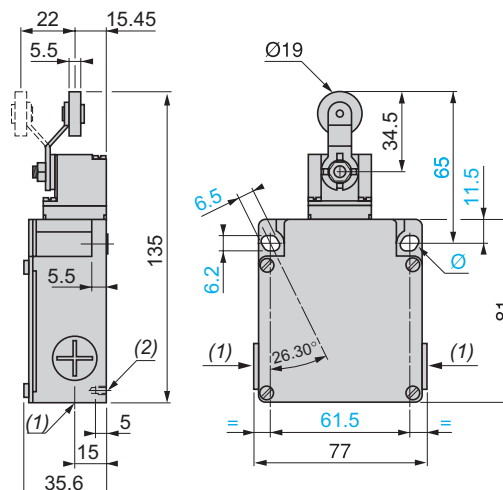
XCKML102H29, XCKML502H29, XCKML102, XCKML502



XCKML121H29, XCKML521H29, XCKML121, XCKML521



XCKML115H29, XCKML515H29, XCKML115, XCKML515



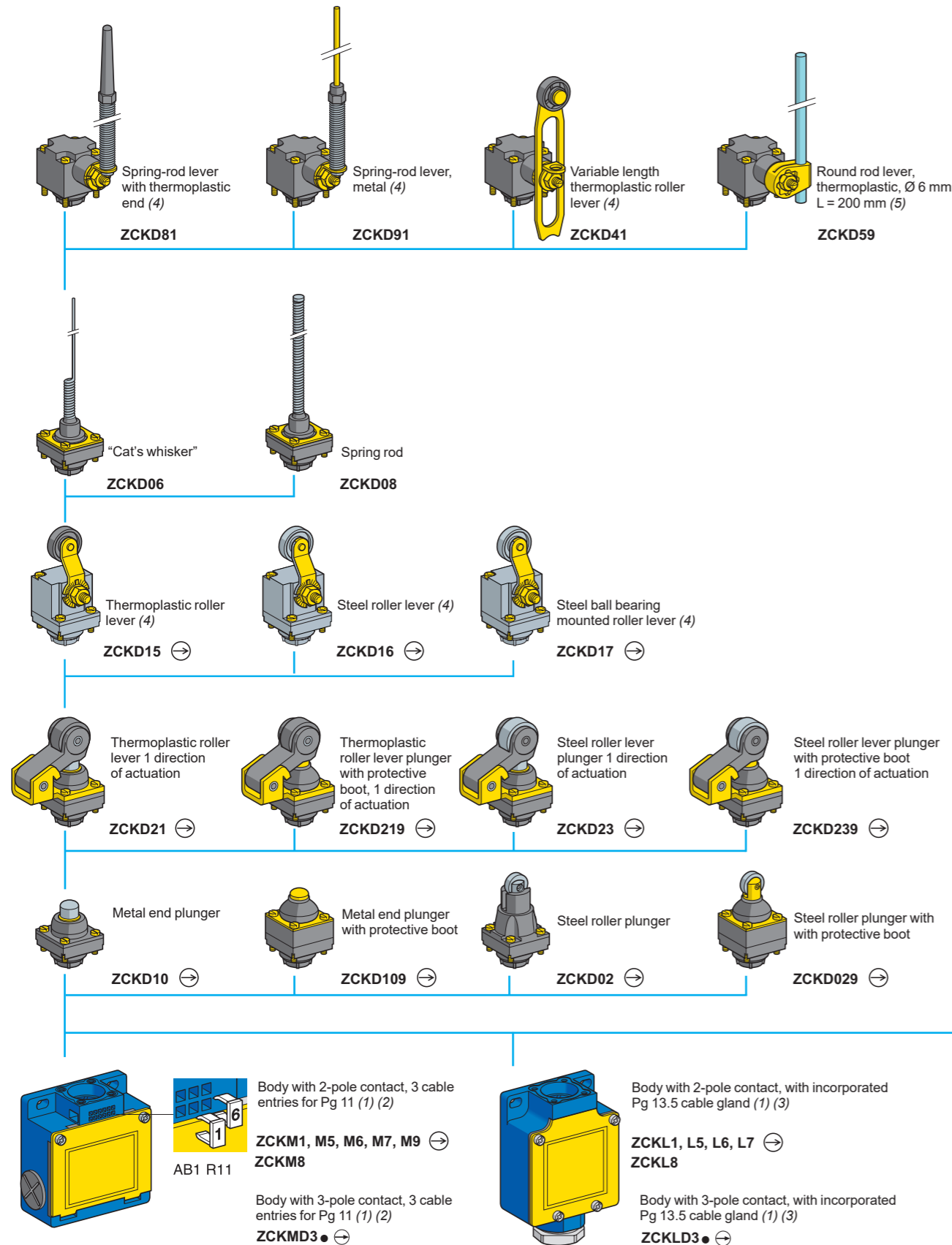
(1) XCKML●●●H29: 3 entries tapped M20 x 1.5. XCKML●●●: 3 tapped entries for n° 13 cable gland.

(2) 2 centring holes Ø 3.9 ± 0.2, for cover fixing holes alignment.

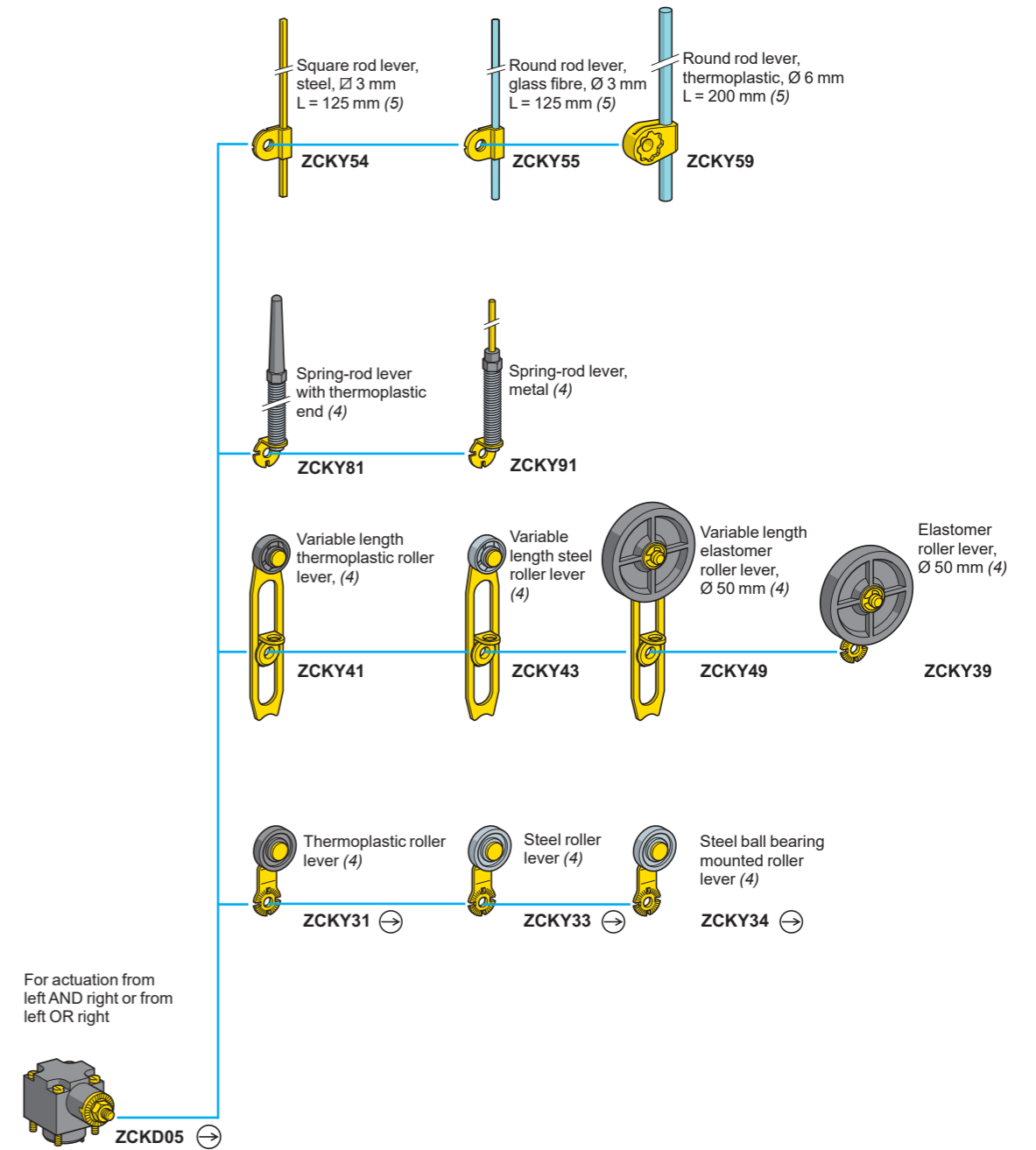
Ø 2 elongated holes 6.2 x 6.5, inclined at 26° 30' to the vertical axis, for M5 screws.

Limit switches

XC Standard range, Classic format
Metal, XCKM and XCKL
Variable composition



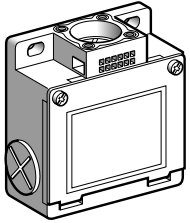
(1) For further information, see page 126.
(2) For 3 cable entries tapped ISO M20 x 1.5, add H29 to the reference. Example: ZCKM1 becomes ZCKM1H29.
For one cable entry with 1/2" NPT adaptor, add H7 to the reference. Example: ZCKM1 becomes ZCKM1H7.
(3) For one cable entry tapped 1/2" NPT, add H7 to the reference. Example: ZCKL1 becomes ZCKL1H7.



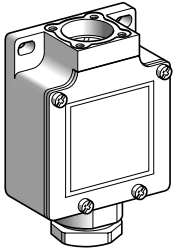
→: head assuring positive opening operation.
(4) Adjustable throughout 360° in 5° steps, or in 90° steps by reversing the notched washer.
(5) Adjustable throughout 360° in 5° steps, or in 45° steps by reversing the lever mounting.

Limit switches

XC Standard range, Classic format
Metal, XCKM and XCKL
Adaptable sub-assemblies



ZCKM●



ZCKL●

Bodies with 2-pole contact						
With contact block	Scheme	Positive operation (1)	Cable entry	Reference	Weight kg	
For limit switches XCKM						
NC + NO snap action (XE2SP2151)		⊙	Pg 11	ZCKM1	0.210	
			ISO M20 x 1.5	ZCKM1H29	0.210	
			1/2" NPT (2)	ZCKM1H7	0.210	
NC + NO break before make, slow break (XE2NP2151)		⊙	Pg 11	ZCKM5	0.210	
			ISO M20 x 1.5	ZCKM5H29	0.210	
			1/2" NPT (2)	ZCKM5H7	0.210	
NO + NC make before break, slow break (XE2NP2161)		⊙	Pg 11	ZCKM6	0.210	
			ISO M20 x 1.5	ZCKM6H29	0.210	
			1/2" NPT (2)	ZCKM6H7	0.210	
NC + NC simultaneous, slow break (XE2NP2141)		⊙	Pg 11	ZCKM7	0.210	
			ISO M20 x 1.5	ZCKM7H29	0.210	
			1/2" NPT (2)	ZCKM7H7	0.210	
NO + NO simultaneous, slow break (XE2NP2131)		-	Pg 11	ZCKM8	0.210	
			ISO M20 x 1.5	ZCKM8H29	0.210	
			1/2" NPT (2)	ZCKM8H7	0.210	
NC + NC snap action (XE2SP2141)		⊙	Pg 11	ZCKM9	0.210	
			ISO M20 x 1.5	ZCKM9H29	0.210	
For limit switches XCKL						
NC + NO snap action (XE2SP2151)		⊙	Pg 13.5	ZCKL1 (3)	0.210	
			1/2" NPT	ZCKL1H7	0.210	
NC + NO break before make, slow break (XE2NP2151)		⊙	Pg 13.5	ZCKL5 (3)	0.210	
			1/2" NPT	ZCKL5H7	0.210	
NO + NC make before break, slow break (XE2NP2161)		⊙	Pg 13.5	ZCKL6 (3)	0.210	
			1/2" NPT	ZCKL6H7	0.210	
NC + NC simultaneous, slow break (XE2NP2141)		⊙	Pg 13.5	ZCKL7 (3)	0.210	
			1/2" NPT	ZCKL7H7	0.210	
NO + NO simultaneous, slow break (XE2NP2131)		-	Pg 13.5	ZCKL8 (3)	0.210	
			1/2" NPT	ZCKL8H7	0.210	

(1) ⊙: NC contact with positive opening operation.

(2) 3 tapped entries, one with metal adaptor for 1/2" NPT (USASB2-1) conduit.

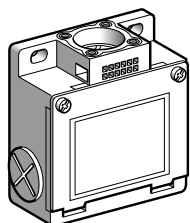
(3) Pg 13.5 cable gland included with switch.

Limit switches

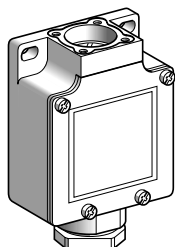
XC Standard range, Classic format

Metal, XCKM and XCKL

Adaptable sub-assemblies



ZCKMD3●



ZCKLD3●

Bodies with 3-pole contact					
With contact block	Scheme	Positive operation (1)	Cable entry	Reference	Weight kg
For limit switches XCKM					
NC + NO + NO snap action (XE3SP2151)		⊙	Pg 11	ZCKMD31	0.210
			ISO M20 x 1.5	ZCKMD31H29	0.210
			1/2" NPT (2)	ZCKMD31H7	0.210
NC + NC + NO snap action (XE3SP2141)		⊙	Pg 11	ZCKMD39	0.210
			ISO M20 x 1.5	ZCKMD39H29	0.210
			1/2" NPT (2)	ZCKMD39H7	0.210
NC + NC + NO break before make, slow break (XE3NP2141)		⊙	Pg 11	ZCKMD37	0.210
			ISO M20 x 1.5	ZCKMD37H29	0.210
			1/2" NPT (2)	ZCKMD37H7	0.210
NC + NO + NO break before make, slow break (XE3NP2151)		⊙	Pg 11	ZCKMD35	0.210
			ISO M20 x 1.5	ZCKMD35H29	0.210
			1/2" NPT (2)	ZCKMD35H7	0.210
For limit switches XCKL					
NC + NO + NO snap action (XE3SP2151)		⊙	Pg 13.5	ZCKLD31 (3)	0.210
			1/2" NPT	ZCKLD31H7	0.210
NC + NC + NO snap action (XE3SP2141)		⊙	Pg 13.5	ZCKLD39 (3)	0.210
			1/2" NPT	ZCKLD39H7	0.210
NC + NC + NO break before make, slow break (XE3NP2141)		⊙	Pg 13.5	ZCKLD37 (3)	0.210
			1/2" NPT	ZCKLD37H7	0.210
NC + NO + NO break before make, slow break (XE3NP2151)		⊙	Pg 13.5	ZCKLD35 (3)	0.210
			1/2" NPT	ZCKLD35H7	0.210

(1) ⊙ : NC contact with positive opening operation.

(2) 3 tapped entries, one with metal adaptor for 1/2" NPT (USASB2-1) conduit.

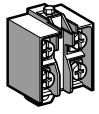
(3) Pg 13.5 cable gland included with switch.

Limit switches

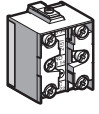
XC Standard range, Classic format
Metal, XCKM and XCKL
Adaptable sub-assemblies



XE2SP21•1



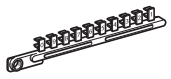
XE2NP21•1



XE3•P21•••



XCKZ09



AB1R11

Contact blocks						
Type of contact	Scheme	For bodies	Positive operation (1)	Reference	Weight kg	
2-pole contact						
NC + NO snap action		ZCKM1 ZCKL1	⊕	XE2SP2151	0.020	
NC + NO break before make, slow break		ZCKM5 ZCKL5	⊕	XE2NP2151	0.020	
NO + NC make before break, slow break		ZCKM6 ZCKL6	⊕	XE2NP2161	0.020	
NC + NC simultaneous, slow break		ZCKM7 ZCKL7	⊕	XE2NP2141	0.020	
NO + NO simultaneous, slow break		ZCKM8 ZCKL8	-	XE2NP2131	0.020	
NC + NC snap action		ZCKM9	⊕	XE2SP2141	0.020	
3-pole contact						
NC + NO + NO snap action		ZCKMD31 ZCKLD31	⊕	XE3SP2151	0.035	
NC + NC + NO snap action		ZCKMD39 ZCKLD39	⊕	XE3SP2141	0.035	
NC + NC + NO break before make, slow break		ZCKMD37 ZCKLD37	⊕	XE3NP2141	0.035	
NC + NO + NO break before make, slow break		ZCKMD35 ZCKLD35	⊕	XE3NP2151	0.035	

(1) ⊕: NC contact with positive opening operation or sub-assembly assuring positive opening operation.

Accessories for limit switches XCKM				
Description	Sold in lots of	Unit reference	Weight kg	
Tap-off terminal for cabling continuity	1	XCKZ09	0.010	
Clip-in markers (strips of 10 numbers: 0 to 9) Other markers, please consult our Customer Care Centre.	25	AB1R11	0.002	

Other versions Gold flashed contacts.
Please consult our Customer Care Centre.

Limit switches

XC Standard range, Classic format

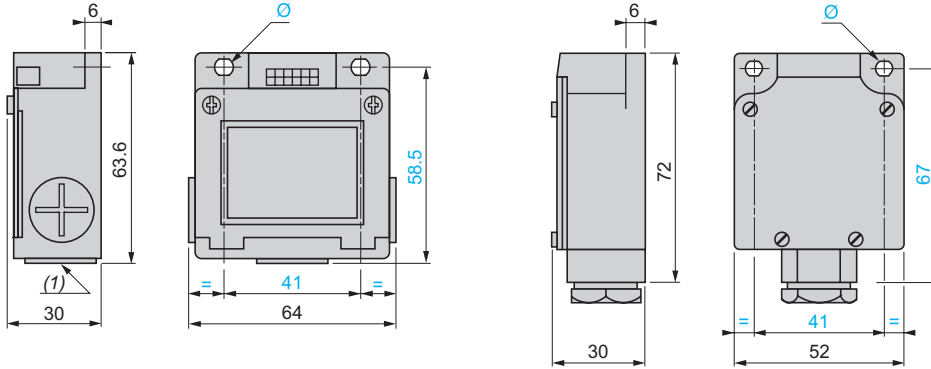
Metal, XCKM and XCKL

Adaptable sub-assemblies

Bodies with contacts

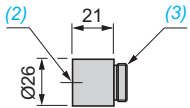
ZCKM1, M5, M6, M7, M8, M9, MD3●, MD3H●29, MD3●H7
ZCKM1H29, M5H29, M6H29, M7H29, M8H29, M9H29
ZCKM1H7, M5H7, M6H7, M7H7, M8H7

ZCKL1, L5, L6, L7, L8, LD3● (with incorporated Pg 13.5 cable gland)
ZCKL1H7, L5H7, L6H7, L7H7, L8H7, LD3●H7 (with 1/2" NPT cable entry)



Adaptor for 1/2" NPT conduit

DE9RA1012



(1) 3 tapped entries for ISO M20 x 1.5 or Pg 11 cable gland.

Ø: 2 elongated holes Ø 5.2 x 6.2

(2) Tapped entry for 1/2" NPT conduit.

(3) Pg 11 threaded sleeve.

Limit switches

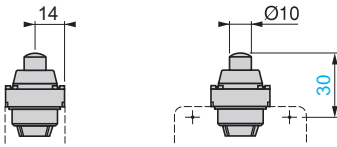
XC Standard range, Classic format

Metal, XCKM and XCKL

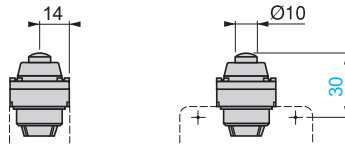
Adaptable sub-assemblies

Plunger heads

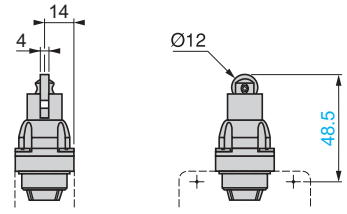
ZCKD10



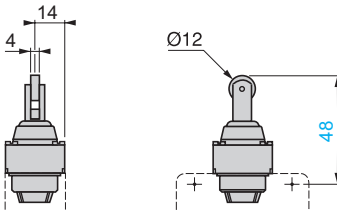
ZCKD109



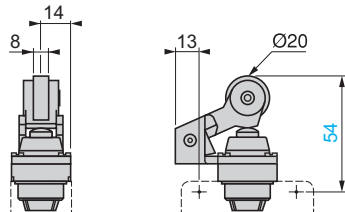
ZCKD02



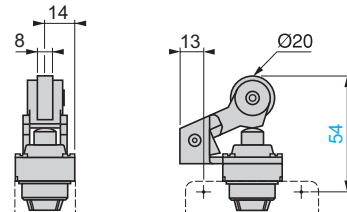
ZCKD029



ZCKD21, ZCKD23

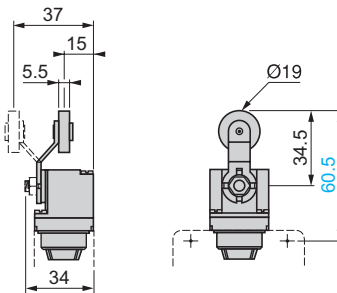


ZCKD219, ZCKD239

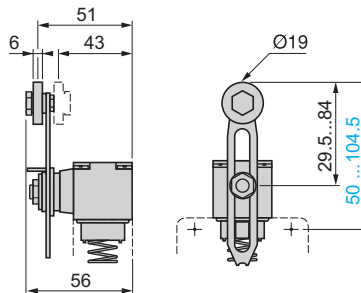


Rotary heads

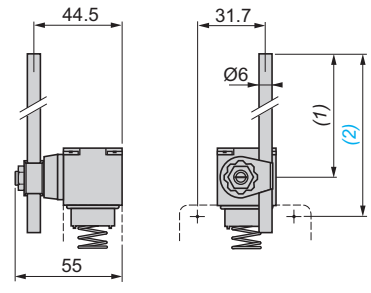
ZCKD15, ZCKD16, ZCKD17



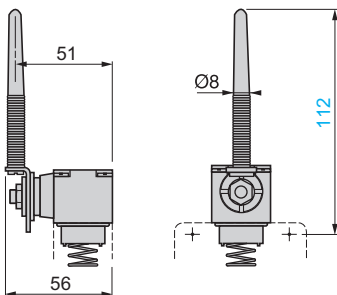
ZCKD41



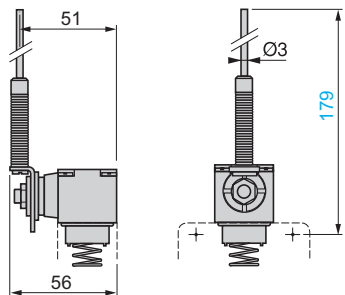
ZCKD59



ZCKD81

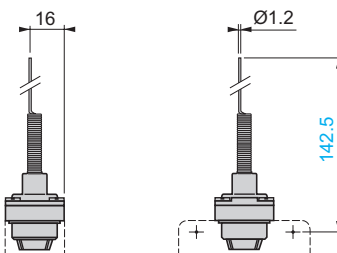


ZCKD91

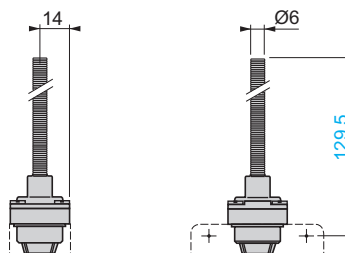


Multi-directional heads

ZCKD06



ZCKD08



(1) 190 max.
(2) 215.5 max.

Note: operating lever spindle threaded M6.

Limit switches

XC Standard range, format EN 50041
Plastic, double insulated, XCKS

Complete switch

with 2 contacts (NO + NC) and 1 cable entry

■ The XCKS limit switches range, with 2 integrated contacts, offers "all-in-one", ready to use products.

□ XCKS, with head for linear (plunger) and rotary (lever) movement



Variable composition switch

with 2, 3 or 4 contacts and 1 cable entry

■ The variable composition range expands the offer up to 4 contacts and choice among 18 different actuators.

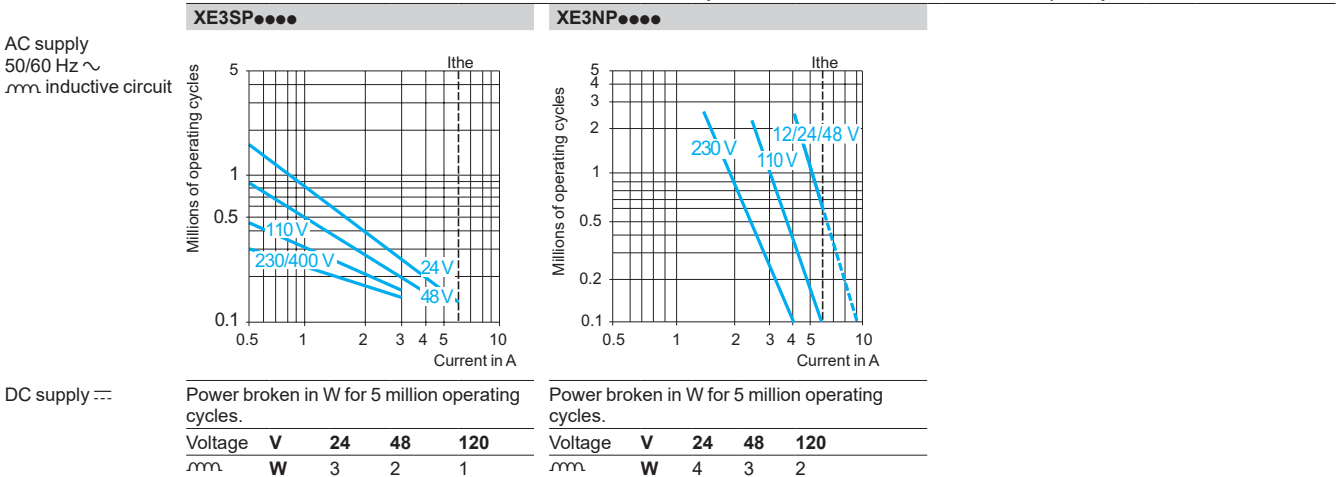
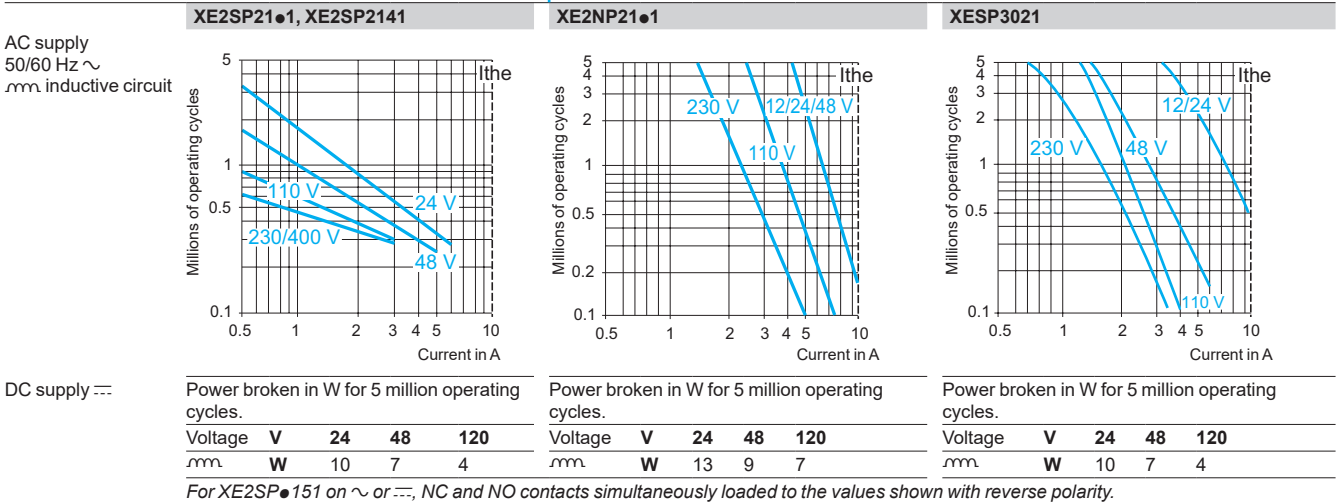
□ ZCKD: complete head with linear or rotary actuator
□ ZCKS: bodies with 2, 3 or 4 contacts



Environment characteristics

Conformity to standards	Products	CE, EN/IEC 60947-5-1, UL 508, CSA C22-2 n°14, CCC, EAC
	Machine assemblies	EN/IEC 60204-1
Product certifications		UL, CSA, CCC, EAC
Protective treatment	Version	Standard "TC", special "TH"
Ambient air temperature	For operation	- 25...+ 70 °C
	For storage	- 40...+ 70 °C
Vibration resistance	Conforming to EN/IEC 60068-2-6	25 gn (10...500 Hz)
Shock resistance	Conforming to EN/IEC 60068-2-27	XCKS1●●: 40 gn (11 ms) XCKS5●●: 50 gn (11 ms)
Electric shock protection	Conforming to EN/IEC 61140	Class II
Degree of protection	Conforming to EN/IEC 60529	XCKS1●●, XCKS5●●: IP 66 and IP 67 ZCKS: IP 65
	Conforming to EN 62262	XCKS1●●, XCKS5●●: IK 05 ZCKS: IK 03
Cable entry	Depending on model	Tapped entry for cable gland: ■ Pg 13.5 ■ ISO M20 x 1.5 ■ 1/2" NPT
Materials		Bodies and heads: plastic

Contact block characteristics		
Type of contacts	Conforming to EN/IEC 60947-5-1	Type Zb, electrically separate double break contacts
Positive operation (depending on model)		NC contacts with positive opening operation conforming to EN/IEC 60947-5-1 Appendix K
Rated operational characteristics	XCKS1●●, XCKS5●● XE2●P●, XESP●	~ AC-15 ; A300 (Ue = 240 V, Ie = 3 A) ; Ithe = 10 A --- DC-13 ; Q300 (Ue = 250 V, Ie = 0.27 A), conforming to EN/IEC 60947-5-1 Appendix A
	XE3●P●	~ AC-15 ; B300 (Ue = 240 V, Ie = 1.5 A) ; Ithe = 6 A --- DC-13 ; R300 (Ue = 250 V, Ie = 0.1 A), conforming to EN/IEC 60947-5-1 Appendix A
Rated insulation voltage	XCKS1●●, XCKS5●● XE2●P●, XESP●	Ui = 500 V degree of pollution 3 conforming to EN/IEC 60947-5-1
	XE3●P●	Ui = 300 V conforming to UL 508 and CSA C22-2 n° 14
Rated impulse withstand voltage	XCKS1●●, XCKS5●● XE2●P●, XESP●	U imp = 6 kV conforming to EN/IEC 60947-1, IEC 60664
	XE3●P●	U imp = 4 kV conforming to EN/IEC 60947-1, IEC 60664
Short-circuit protection	XCKS1●●, XCKS5●● XE2●P●, XESP●	10 A cartridge fuse type gG (gl)
	XE3●P●	6 A cartridge fuse type gG (gl)
Resistance across terminals		≤ 25 mΩ conforming to EN/IEC 60255-7 category 3
Connection (screw clamp terminals)	XCKS1●●, XCKS5●● XE2SP21●1	Clamping capacity, min: 1 x 0.34 mm ² / AWG 22, max: 2 x 1.5 mm ² / AWG 16
	XE2NP21●1	Clamping capacity, min: 1 x 0.5 mm ² / AWG 20, max: 2 x 2.5 mm ² / AWG 14
	XESP●	Clamping capacity, min: 1 x 0.75 mm ² / AWG 20, max: 2 x 1.5 mm ² / AWG 16
	XE3●P●	Clamping capacity, min: 1 x 0.34 mm ² / AWG 22, max: 1 x 1 mm ² / AWG 18 or 2 x 0.75 mm ² / AWG 20
Minimum actuation speed		Snap action contacts (XCKS1●, XE●SP● and XESP●): 0.01 m/minute Slow break contacts (XCKS5●, XE2NP● and XE3NP●): 6 m/minute
Electrical durability	XCKS1●● + LC1D38 / ~ 230 V	15 million operating cycles
	XCKS5●● + LC1D38 / ~ 230 V	20 million operating cycles
	ZCKS	<ul style="list-style-type: none"> ■ Conforming to IEC 60947-5-1 Appendix C ■ Utilisation categories AC-15 and DC-13 ■ Maximum operating rate: 3600 operating cycles/hour ■ Load factor: 0.5



Limit switches

XC Standard range, format EN 50041

Plastic, double insulated, XCKS

Complete switches with 1 cable entry

Type of head	Plunger (fixing by the body)	Rotary (fixing by the body)
--------------	------------------------------	-----------------------------



Form conforming to EN 50041 (1)	B	C	A	A	A	A	D
Type of operator	Metal end plunger	Steel roller plunger	Thermoplastic or steel roller lever (2)	Elastomer roller lever, Ø 50 mm (2)	Variable length thermoplastic or steel roller lever (2)	Variable length elastomer roller lever, Ø 50 mm (2)	Round thermoplastic rod lever, Ø 6 mm (3) (4)
Positive operation	⊕	⊖	⊕	–	⊕	–	–

References of complete switches with 1 ISO M20 x 1.5 cable entry

<p>2-pole NC + NO snap action</p>	XCKS101H29	XCKS102H29	XCKS131H29 (thermoplastic) XCKS133H29 (steel)	XCKS139H29	XCKS141H29 (thermoplastic) XCKS143H29 (steel)	XCKS149H29	XCKS159H29
<p>2-pole NC + NO break before make, slow break</p>	XCKS501H29	XCKS502H29	XCKS531H29 (thermoplastic) XCKS533H29 (steel)	XCKS539H29	XCKS541H29 (thermoplastic) XCKS543H29 (steel)	XCKS549H29	XCKS559H29
Weight (kg)	0.125	0.135	0.160	0.175	0.165	0.180	0.170
Contact operation	closed open		(A) = cam displacement (P) = positive opening point		⊕ NC contact with positive opening operation		

References of complete switches with 1 Pg 13.5 cable entry

For an entry tapped for a Pg 13.5 cable gland, delete H29 from the end of the reference. (Except XCKS133H29, XCKS143H29, XCKS533H29 and XCKS543H29). Example: XCKS101H29 becomes XCKS101.

References of complete switches with 1/2" NPT cable entry

For an entry tapped for a 1/2" NPT cable gland, replace H29 at the end of the reference by H7. (Except XCKS133H29, XCKS143H29, XCKS501H29, XCKS533H29, XCKS539H29, XCKS543H29, XCKS549H29 and XCKS559H29). Example: XCKS101H29 becomes XCKS101H7.

Characteristics

Switch actuation	On end	By 30° cam		By any moving part		
Type of actuation						
Maximum actuation speed	0.5 m/s		1.5 m/s	1 m/s		
Mechanical durability (in millions of operating cycles)	25	15	20			
Minimum force or torque	For tripping	15 N	12 N	0.10 N.m		
	For positive opening	30 N	20 N	0.15 N.m	–	0.15 N.m
Cable entry	1 entry tapped M20 x 1.5 mm for ISO cable gland, clamping capacity 7 to 13 mm					

(1) Form conforming to EN 50041, see page 25.

(2) Adjustable throughout 360° in 5° steps, or in 90° steps by reversing the notched washer.

(3) Adjustable throughout 360° in 5° steps, or in 45° steps by reversing the lever mounting.

(4) Value taken with actuation by moving part at 100 mm from the fixing.

Limit switches

XC Standard range, format EN 50041
Plastic, double insulated, XCKs
Variable composition switches with 1 cable entry



Note: ZCKD heads can only be used with ZCKS bodies.

References of variable composition switches (ZCKS bodies and ZCKD heads) with 1 ISO M20 x 1.5 cable entry (3)

Form conforming to EN 50041 (1)	B	C	A	A	A	A	D
Type of operator	Metal end plunger	Steel roller plunger	Thermoplastic roller lever (2)	Elastomer roller lever, Ø 50 mm (2)	Variable length thermoplastic roller lever (2)	Variable length elastomer roller lever, Ø 50 mm (2)	Round thermoplastic rod lever, Ø 6 mm (4) (5)
Positive operation 	⊙	⊙	⊙	—	⊙	—	—
 2-pole NC + NC snap action (XE2SP2141)	ZCKS9H29 + ZCKD01 	ZCKS9H29 + ZCKD02 	ZCKS9H29 + ZCKD31 	ZCKS9H29 + ZCKD39 	ZCKS9H29 + ZCKD41 	ZCKS9H29 + ZCKD49 	ZCKS9H29 + ZCKD59
 2-pole NC + NC simultaneous, slow break (XE2NP2141)	ZCKS7H29 + ZCKD01 	ZCKS7H29 + ZCKD02 	ZCKS7H29 + ZCKD31 	ZCKS7H29 + ZCKD39 	ZCKS7H29 + ZCKD41 	ZCKS7H29 + ZCKD49 	ZCKS7H29 + ZCKD59
 3-pole NC + NC + NO snap action (XE3SP2141)	ZCKSD39H29 + ZCKD01 	ZCKSD39H29 + ZCKD02 	ZCKSD39H29 + ZCKD31 	ZCKSD39H29 + ZCKD39 	ZCKSD39H29 + ZCKD41 	ZCKSD39H29 + ZCKD49 	ZCKSD39H29 + ZCKD59
 3-pole NC + NC + NO break before make, slow break (XE3NP2141)	ZCKSD37H29 + ZCKD01 	ZCKSD37H29 + ZCKD02 	ZCKSD37H29 + ZCKD31 	ZCKSD37H29 + ZCKD39 	ZCKSD37H29 + ZCKD41 	ZCKSD37H29 + ZCKD49 	ZCKSD37H29 + ZCKD59
Weight (kg)	0.095	0.105	0.145	0.150	0.155	0.155	0.150
Contact operation			(A) = cam displacement (P) = positive opening point				

References of variable composition switches (ZCKS bodies and ZCKD heads) with 1 Pg 13.5 cable entry

For ZCKS bodies with 1 Pg 13.5 cable entry, delete H29 from the end of the reference. Example: ZCKS1H29 becomes ZCKS1.

Characteristics

Switch actuation	On end	By 30° cam	By any moving part				
Type of actuation				or			
Maximum actuation speed	0.5 m/s		1.5 m/s			1 m/s	
Mechanical durability (6) (in millions of operating cycles)	25	15	20				
Minimum force or torque	For tripping For positive opening	15 N 45 N	12 N 36 N	0.15 N.m 0.3 N.m	—	0.3 N.m	—
Cable entry	1 entry tapped M20 x 1.5 mm for ISO cable gland, clamping capacity 7 to 13 mm						

(1) Form conforming to EN 50041, see page 25.

(2) Adjustable throughout 360° in 5° steps, or in 90° steps by reversing the notched washer.

(3) Switches with gold contacts or eyelet type connections: please consult our Customer Care Centre.

(4) Adjustable throughout 360° in 5° steps, or in 45° steps by reversing the lever mounting.

(5) Value taken with actuation by moving part at 100 mm from the fixing.

(6) Limited to 15 million operating cycles for switches with contacts XE3●P.

Limit switches

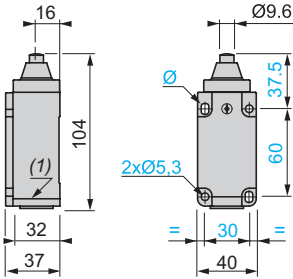
XC Standard range, format EN 50041

Plastic, double insulated, XCKS

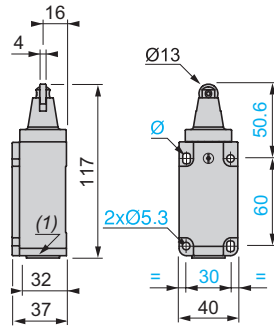
Complete switches with 1 cable entry

Dimensions

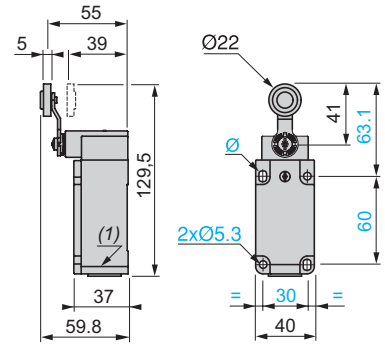
XCKS0100



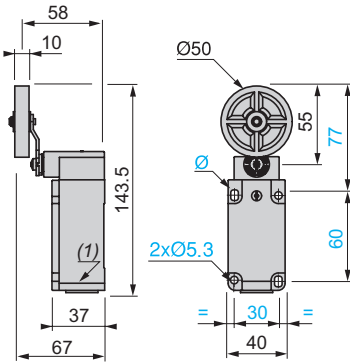
XCKS0200



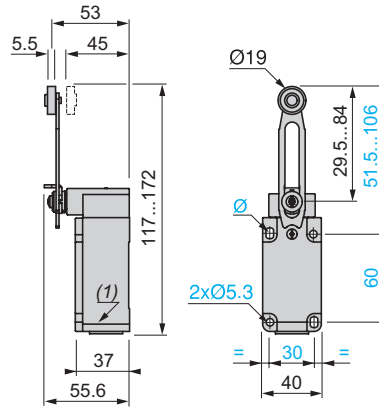
XCKS3100 / XCKS3300



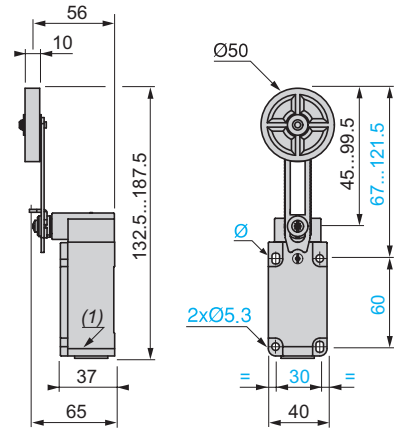
XCKS3900



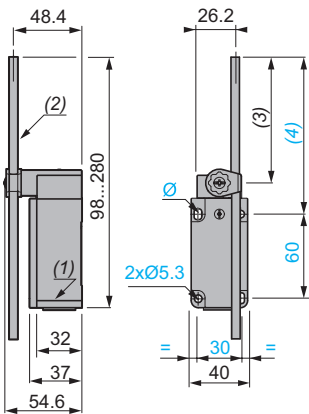
XCKS4100 / XCKS4300



XCKS4900



XCKS5900



(1) 1 tapped entry for ISO M20 x 1.5 or Pg 13.5 or 1/2" NPT cable gland.

(2) Ø 6 rode, lenght 200 mm.

(3) 190 max.

(4) 212 max.

Ø : 2 elongated holes 5.3 x 7.3 mm.

Limit switches

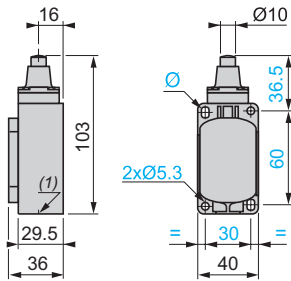
XC Standard range, format EN 50041

Plastic, double insulated, XCKS

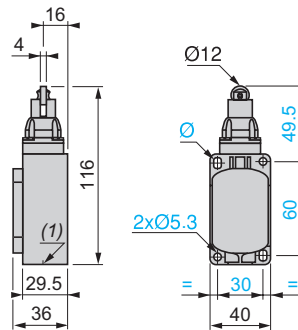
Variable composition switches with 1 cable entry

Dimensions

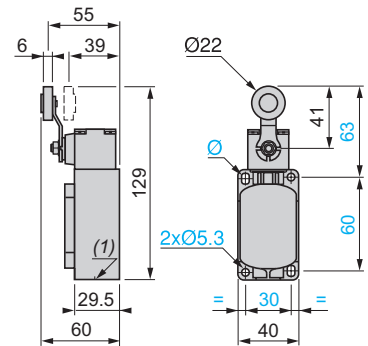
ZCKS● + ZCKD01



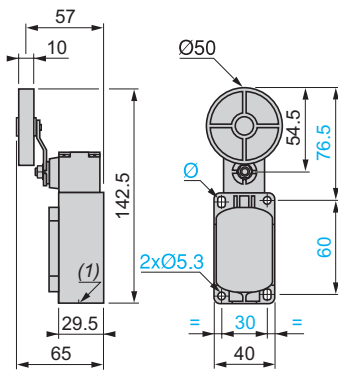
ZCKS● + ZCKD02



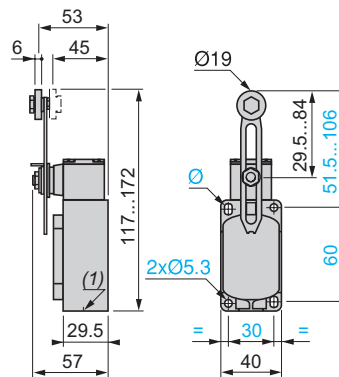
ZCKS● + ZCKD31



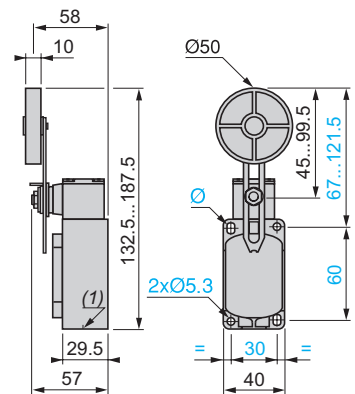
ZCKS● + ZCKD39



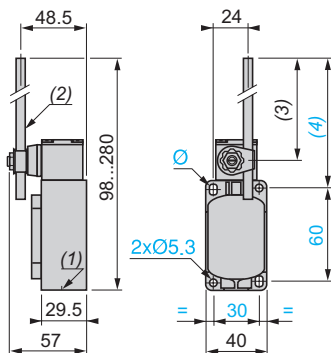
ZCKS● + ZCKD41



ZCKS● + ZCKD49



ZCKS● + ZCKD59



(1) 1 tapped entry for ISO M20 x 1.5 or Pg 13.5 or 1/2" NPT cable gland.

(2) Ø 6 rode, lenght 200 mm.

(3) 190 max.

(4) 212 max.

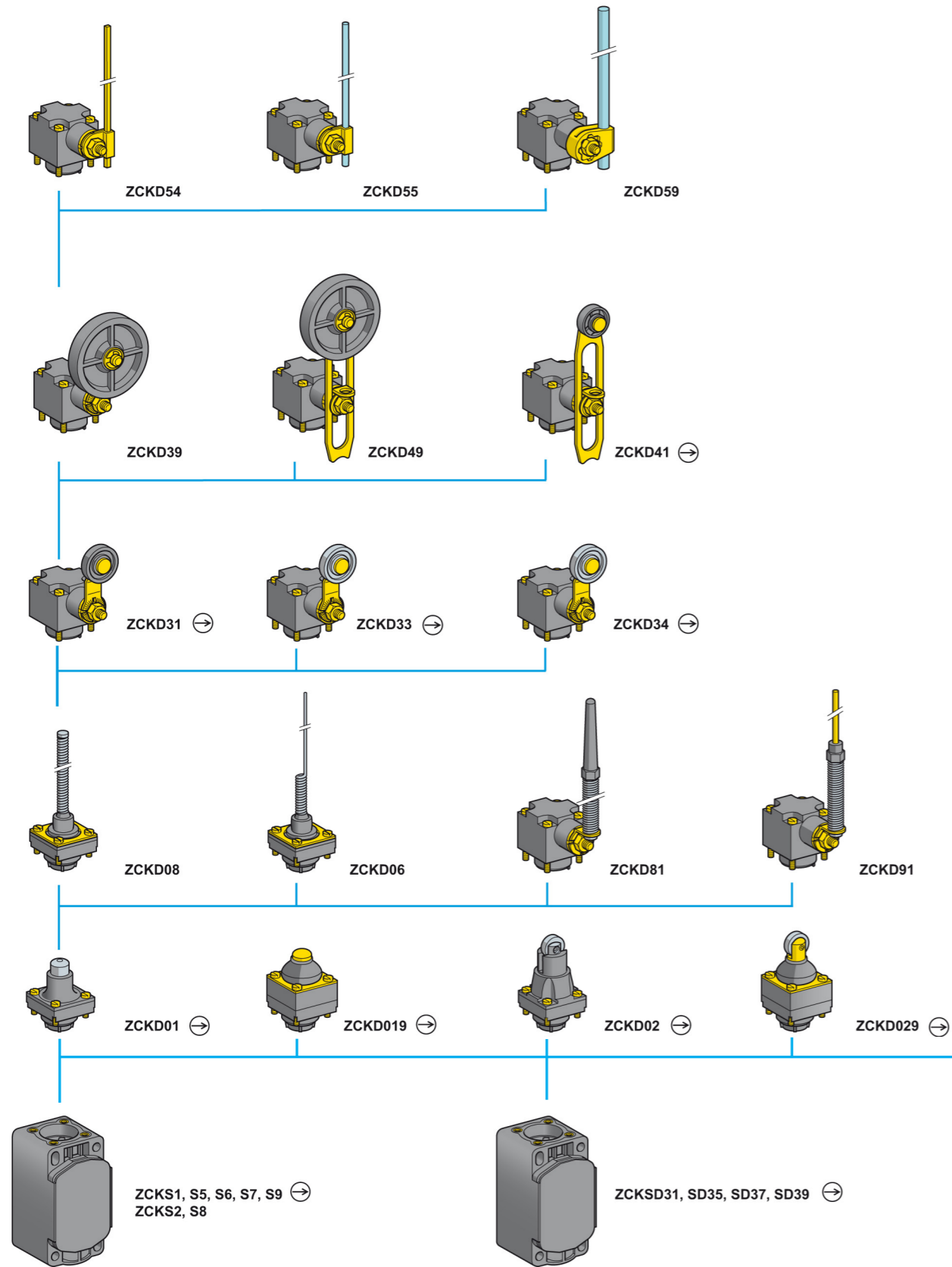
Ø : 2 elongated holes 5.3 x 7.3 mm.

Limit switches

XC Standard range, format EN 50041

Plastic, double insulated, XCKS

Variable composition



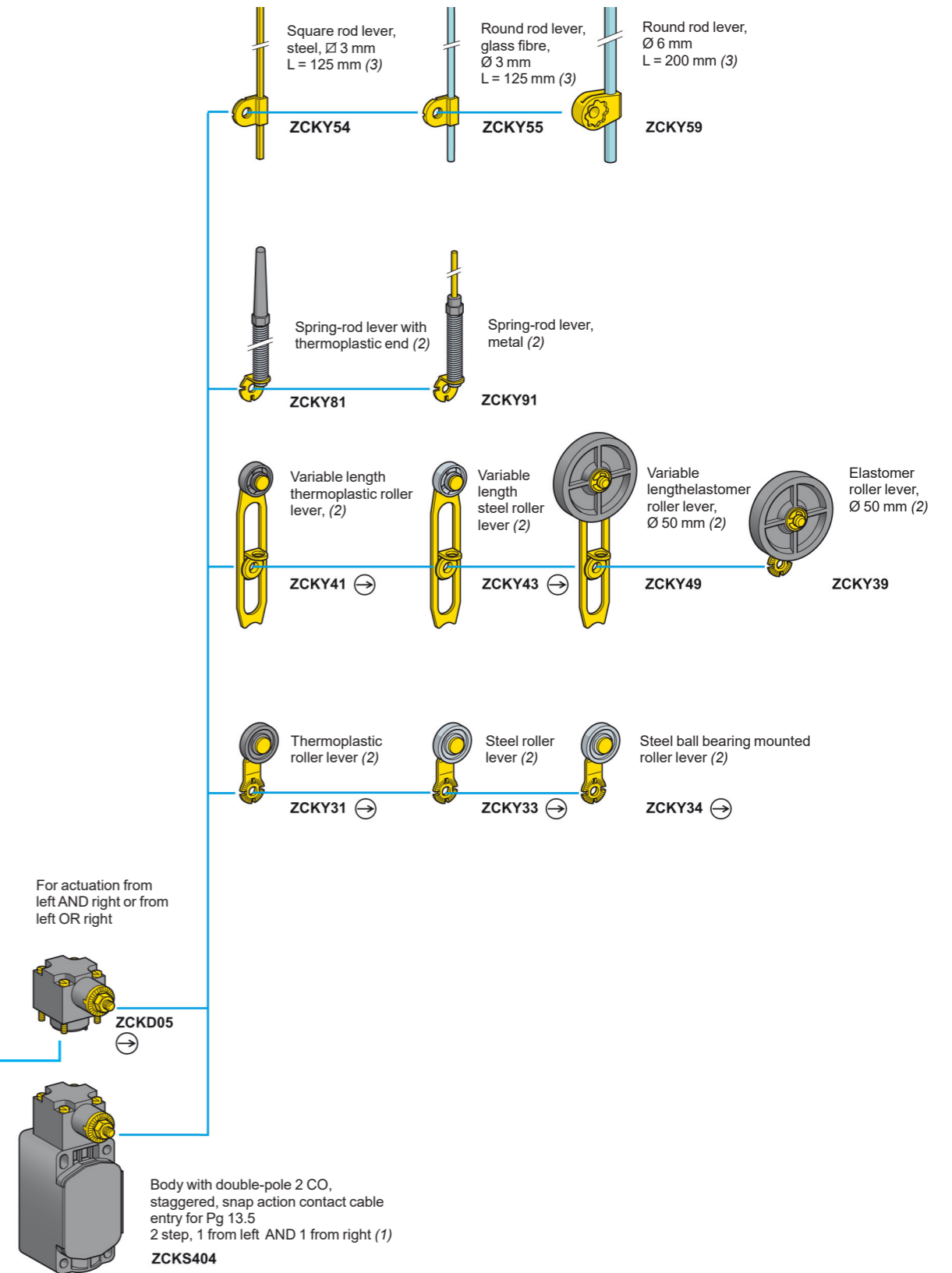
(1) For further details see page 143. For a cable entry tapped ISO M20 x 1.5, add H29 to the reference.

Example: ZCKS1 becomes ZCKS1H29.

(2) Adjustable throughout 360° in 5° steps, or in 90° steps by reversing the notched washer.

(3) Adjustable throughout 360° in 5° steps, or in 45° steps by reversing the lever mounting.

Note: ZCKD heads can only be used with ZCKS bodies.

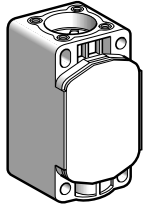


Limit switches

XC Standard range, format EN 50041

Plastic, double insulated, XCKs

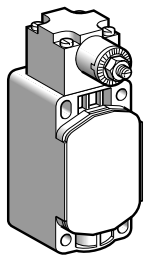
Variable composition switches



ZCKs

Bodies with 2-pole contact

Type	With contact block	Scheme	Positive operation (1)	Cable entry	Reference	Weight kg
1 step	NC + NO snap action (XE2SP2151)		⊕	Pg 13.5	ZCKS1	0.080
				ISO M20 x 1.5	ZCKS1H29	0.080
	2 CO simultaneous, snap action (XESP3021)		-	Pg 13.5	ZCKS2	0.080
				ISO M20 x 1.5	ZCKS2H29	0.080
	NC + NO break before make, slow break (XE2NP2151)		⊕	Pg 13.5	ZCKS5	0.080
				ISO M20 x 1.5	ZCKS5H29	0.080
	NO + NC make before break, slow break (XE2NP2161)		⊕	Pg 13.5	ZCKS6	0.080
				ISO M20 x 1.5	ZCKS6H29	0.080
NC + NC simultaneous, slow break (XE2NP2141)		⊕	Pg 13.5	ZCKS7	0.080	
			ISO M20 x 1.5	ZCKS7H29	0.080	
NO + NO simultaneous, slow break (XE2NP2131)		-	Pg 13.5	ZCKS8	0.080	
			ISO M20 x 1.5	ZCKS8H29	0.080	
NC + NC snap action (XE2SP2141)		⊕	Pg 13.5	ZCKS9	0.080	
			ISO M20 x 1.5	ZCKS9H29	0.080	



ZCKs404

Bodies with double-pole contact and spring return rotary head

Without operating lever

Type	With contact block	Scheme	Positive operation (1)	Cable entry	Reference	Weight kg
2 step 1 from left and 1 from right	2 CO staggered snap action		-	Pg 13.5	ZCKS404	0.150
				ISO M20 x 1.5	ZCKS404H29	0.150

Bodies with 3-pole contact and 1 cable entry

Type	With contact block	Scheme	Positive operation (1)	Cable entry	Reference	Weight kg
-	NC + NO + NO snap action (XE3SP2151)		⊕	Pg 13.5	ZCKSD31	0.080
				ISO M20 x 1.5	ZCKSD31H29	0.080
	NC + NC + NO snap action (XE3SP2141)		⊕	Pg 13.5	ZCKSD39	0.080
				ISO M20 x 1.5	ZCKSD39H29	0.080
	NC + NC + NO break before make, slow break (XE3NP2141)		⊕	Pg 13.5	ZCKSD37	0.080
ISO M20 x 1.5				ZCKSD37H29	0.080	
NC + NO + NO break before make, slow break (XE3NP2151)		⊕	Pg 13.5	ZCKSD35	0.080	
			ISO M20 x 1.5	ZCKSD35H29	0.080	

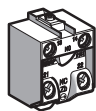
(1) ⊕: NC contact with positive opening operation or head assuring positive opening operation.

Limit switches

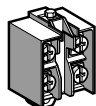
XC Standard range, format EN 50041

Plastic, double insulated, XCKS

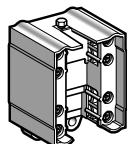
Variable composition switches



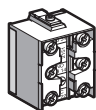
XE2SP21●1



XE2NP21●1



XESP3021



XE3●P21●●



DE9RA●●12

Contact blocks for ZCKS●● bodies

Type of contact	Scheme	For body	Positive operation (1)	Reference	Weight kg
2-pole contact					
NC + NO snap action		ZCKS1	⊖	XE2SP2151	0.020
NC + NO break before make, slow break		ZCKS5	⊖	XE2NP2151	0.020
2 CO simultaneous snap action		ZCKS2	-	XESP3021	0.045
NO + NC make before break, slow break		ZCKS6	⊖	XE2NP2161	0.020
NC + NC simultaneous, slow break		ZCKS7	⊖	XE2NP2141	0.020
NO + NO simultaneous, slow break		ZCKS8	-	XE2NP2131	0.020
NC + NC snap action		ZCKS9	⊖	XE2SP2141	0.020
3-pole contact					
NC + NO + NO snap action		ZCKSD31	⊖	XE3SP2151	0.035
NC + NC + NO snap action		ZCKSD39	⊖	XE3SP2141	0.035
NC + NC + NO break before make, slow break		ZCKSD37	⊖	XE3NP2141	0.035
NC + NO + NO break before make, slow break		ZCKSD35	⊖	XE3NP2151	0.035

Accessories for ZCKS●● and XCKS●●

Description	Minimum order quantity	Reference	Weight kg
Adaptator for 1/2" NPT conduit (male Pg 13.5 / female 1/2" NPT)	10	DE9RA1212	0.035
Adaptator for 1/2" NPT conduit (male M20 x 1.5 / female 1/2" NPT)	5	DE9RA2012	0.050

(1) ⊖ : NC contact with positive opening operation or sub-assembly assuring positive opening operation.

Other versions

Gold flashed contacts.
Please consult our Customer Care Centre.

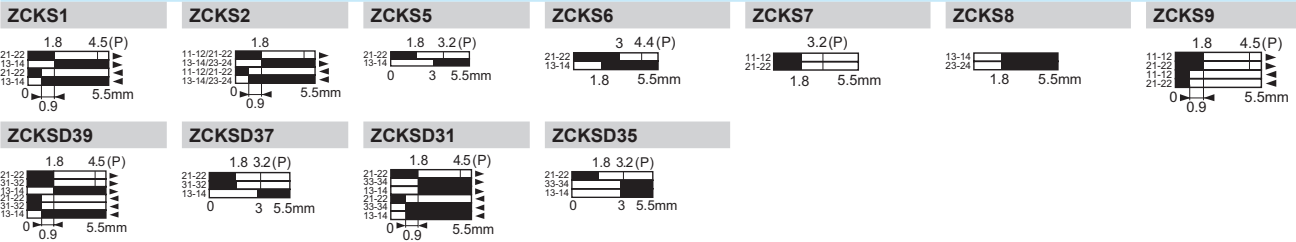
Limit switches

XC Standard range, format EN 50041

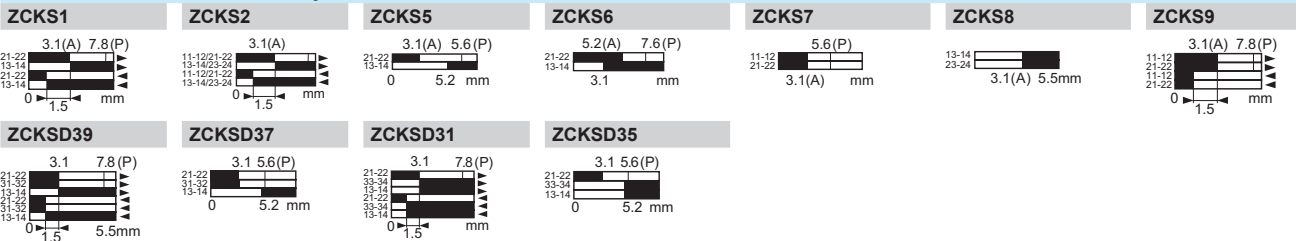
Plastic, double insulated, XCKS

Variable composition switches

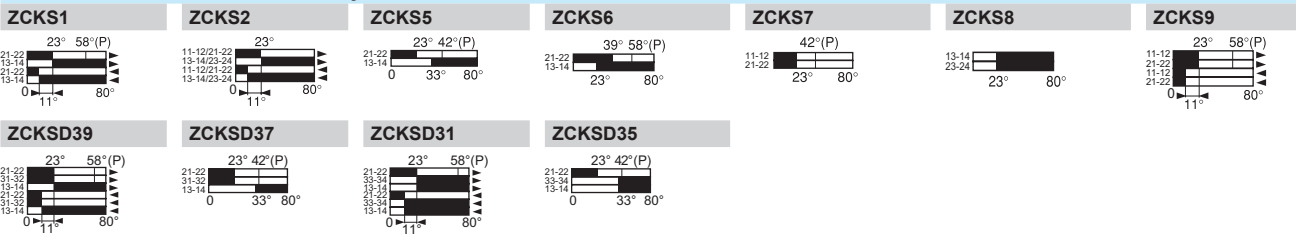
Heads ZCKD01, D109 with body



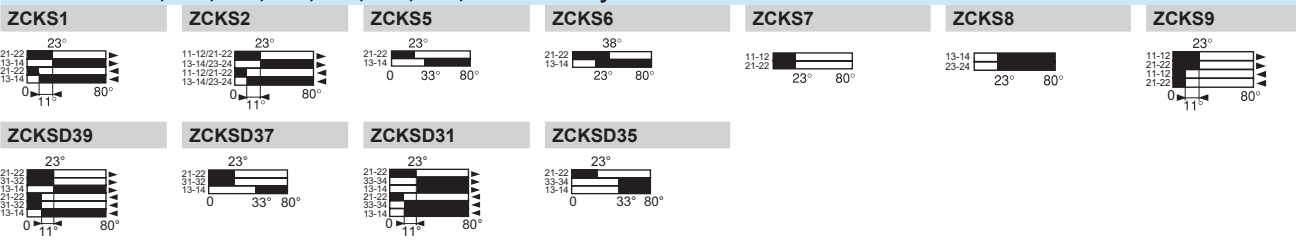
Heads ZCKD02, D029 with body



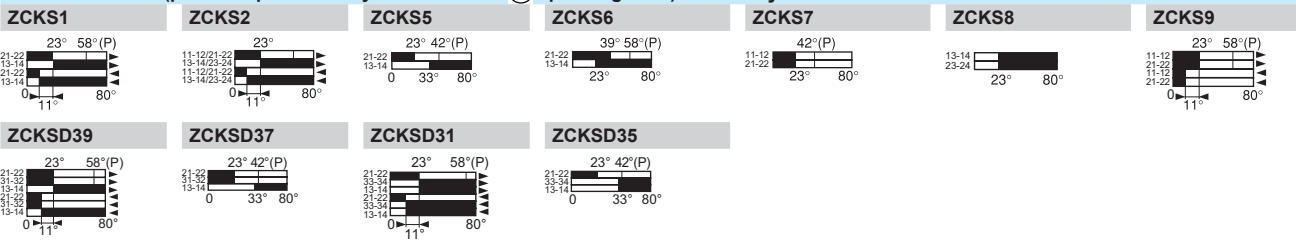
Heads ZCKD31, D33, D34 with body



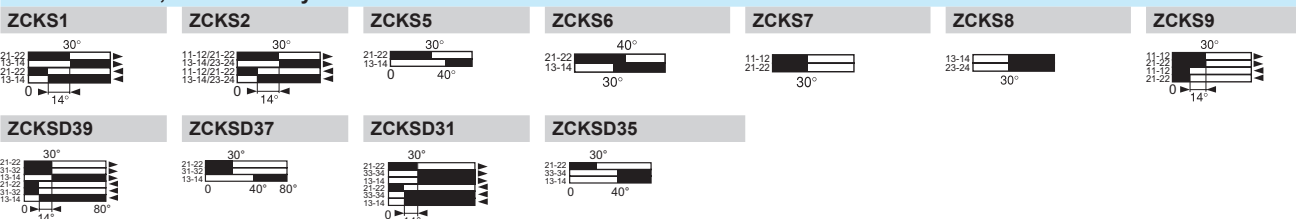
Heads ZCKD39, D41, D49, D54, D55, D59, D81, D91 with body



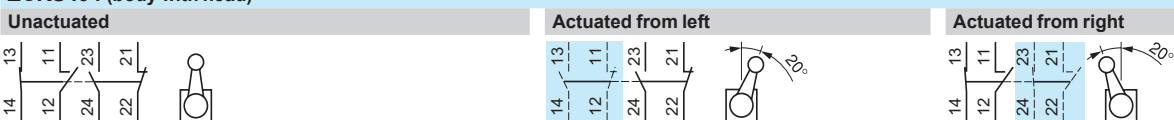
Heads ZCKD05 (positive operation only assured with a ⊖ operating lever) with body



Heads ZCKD06, D08 with body



ZCKS404 (body with head)



Contact operation

■ closed

□ open

(A) = cam displacement

(P) = positive opening point

Limit switches

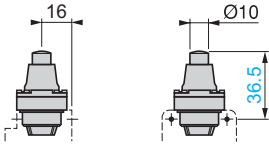
XC Standard range, format EN 50041

Plastic, double insulated, XCKs

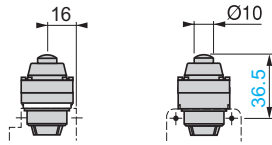
Variable composition switches

Plunger heads

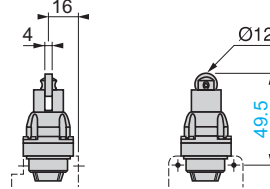
ZCKD01



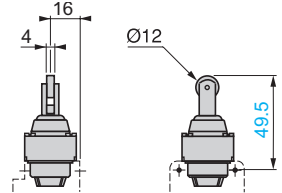
ZCKD019



ZCKD02

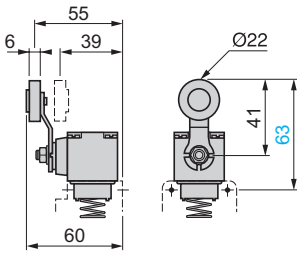


ZCKD029

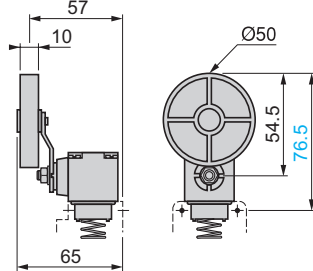


Rotary heads

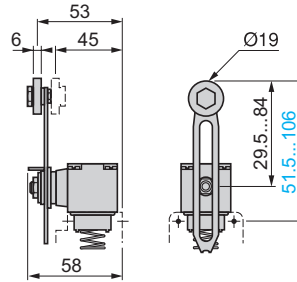
ZCKD31, ZCKD33, ZCKD34



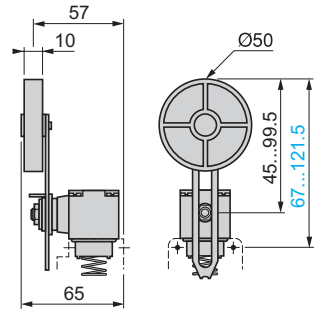
ZCKD39



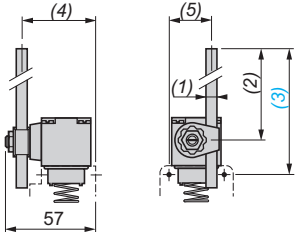
ZCKD41



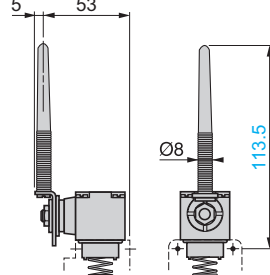
ZCKD49



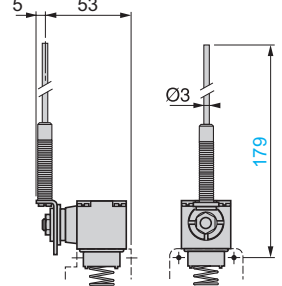
ZCKD54, ZCKD55, ZCKD59



ZCKD81



ZCKD91

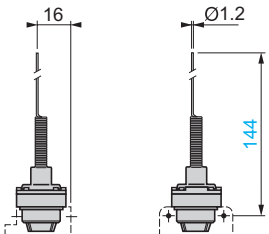


ZCK	(1) rod	(2)	(3)	(4)	(5)
D54	∅ 3, L = 125	115 max.	137 max.	49	24
D55	∅ 3, L = 125	115 max.	137 max.	49	24
D59	∅ 6, L = 200	190 max.	212 max.	46.5	26.2

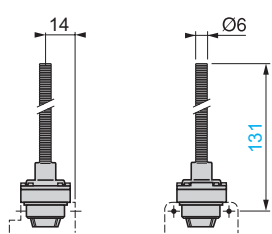
Note: operating lever spindle threaded M6.

Multi-directional heads

ZCKD06



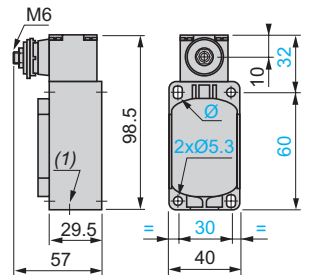
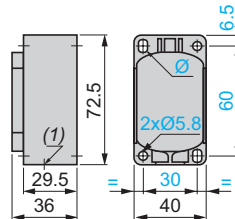
ZCKD08



Bodies with contacts

ZCKS1, S2, S5, S6, S7, S8, S9
ZCKS1H29, S2H29, S5H29,
S6H29, S7H29, S8H29, S9H29
ZCKSD3●, SD3●H29

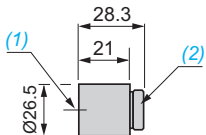
ZCKS404, S404H29



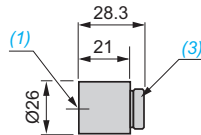
(1) 1 tapped entry for ISO M20 x 1.5 or Pg 13.5 cable gland.
Ø: 2 elongated holes 5.3 x 7.3.

Adaptors for 1/2" NPT conduit

DE9RA1212 (Pg 13.5)



DE9RA2012 (M20)



(1) Tapped entry for 1/2" NPT conduit.
(2) Pg 13.5 threaded sleeve.
(3) M20 x 1.5 threaded sleeve.

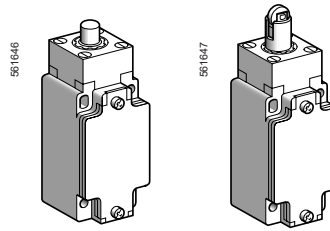
Limit switches

XC Standard range
Industrial format EN 50041
Metal, XCKJ
Conforming to CENELEC EN 50041

■ XCKJ

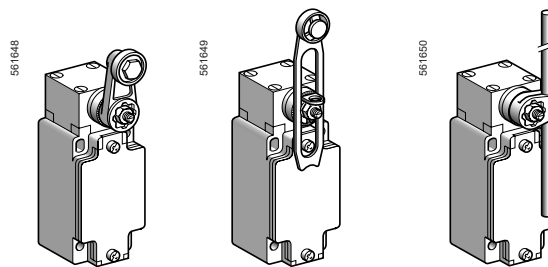
fixed body with 1 cable entry

□ With head for linear movement (plunger)



Page 146

□ With head for rotary movement (lever)

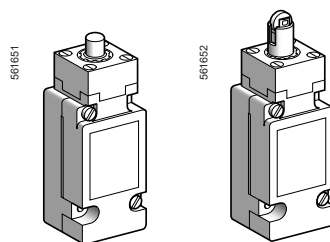


Page 146

■ XCKJ

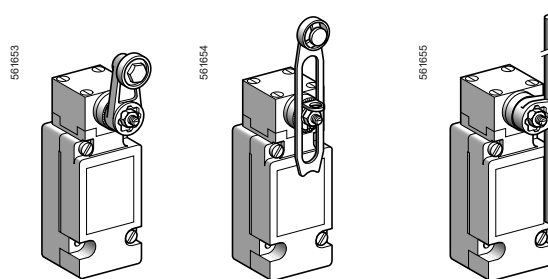
plug-in body with 1 cable entry

□ With head for linear movement (plunger)



Page 148

□ With head for rotary movement (lever)



Page 148

Environment characteristics

Conformity to standards	Products	CE, IEC 60947-5-1, EN 60947-5-1, UL 508, CSA C22-2 n° 14, EAC
	Machine assemblies	IEC 60204-1, EN 60204-1
Product certifications		UL, CSA, CCC, BV
Protective treatment	Version	Standard: "TC", special: "TH"
Ambient air temperature	For operation	- 25...+ 70°C, special sub-assemblies for use at - 40°C or + 120°C
	For storage	- 40...+ 70°C
Vibration resistance	Conforming to IEC 60068-2-6	25 gn (10...500 Hz)
Shock resistance	Conforming to IEC 60068-2-27	50 gn (11 ms)
Electric shock protection		Class I conforming to IEC 61140 and NF C 20-030
Degree of protection		IP 66 conforming to IEC 60529; IK 07 conforming to IEC 62262
Repeat accuracy		0.01 mm on the tripping points, with 1 million operating cycles for head with end plunger
Cable entry or connector	Depending on model	Tapped entry for Pg 13.5 cable gland, tapped ISO M20 x 1.5 or tapped 1/2" NPT, or M12 connector
Materials		Bodies and heads in Zamak

Contact block characteristics

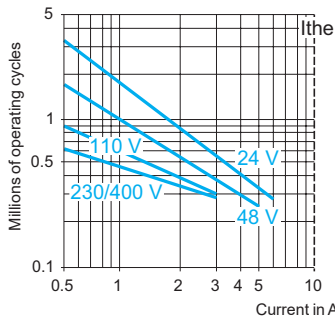
Rated operational characteristics	XE2●P	~AC-15; A300 (Ue = 240 V, Ie = 3 A); Ithe = 10 A ---DC-13; Q300 (Ue = 250 V, Ie = 0.27 A), conforming to IEC 60947-5-1 Appendix A, EN 60947-5-1
	XE3●P	~AC-15; B300 (Ue = 240 V, Ie = 1.5 A); Ithe = 6 A ---DC-13; R300 (Ue = 250 V, Ie = 0.1 A), conforming to IEC 60947-5-1 Appendix A, EN 60947-5-1
Rated insulation voltage	XE2●P	Ui = 500 V degree of pollution 3 conforming to IEC 60947-1 Ui = 300 V conforming to UL 508, CSA C22-2 n° 14
	XE3●P	Ui = 400 V degree of pollution 3 conforming to IEC 60947-1 Ui = 300 V conforming to UL 508, CSA C22-2 n° 14
Rated impulse withstand voltage	XE2●P	U imp = 6 kV conforming to IEC 60947-1, IEC 60664
	XE3●P	U imp = 4 kV conforming to IEC 60947-1, IEC 60664
Positive operation (depending on model)		NC contacts with positive opening operation conforming to IEC 60947-5-1 Appendix K, EN 60947-5-1
Resistance across terminals		≤ 25 mΩ conforming to IEC 60255-7 category 3
Short-circuit protection	XE2●P	10 A cartridge fuse type gG (gl)
	XE3●P	6 A cartridge fuse type gG (gl)
Connection (screw clamp terminals)	XE2SP21●1	Clamping capacity, min: 1 x 0.34 mm ² , max: 2 x 1.5 mm ²
	XE2NP21●1	Clamping capacity, min: 1 x 0.5 mm ² , max: 2 x 2.5 mm ²
	XCKJ plug-in and XESP20●1	Clamping capacity, min: 1 x 0.75 mm ² , max: 2 x 1.5 mm ²
	XE3NP and XE3SP	Clamping capacity, min: 1 x 0.34 mm ² , max: 1 x 1 mm ² or 2 x 0.75 mm ²
Minimum actuation speed		XE2SP21●1 and XE3SP: 0.01 m/minute XE2NP21●1 and XE3NP: 6 m/minute

Electrical durability

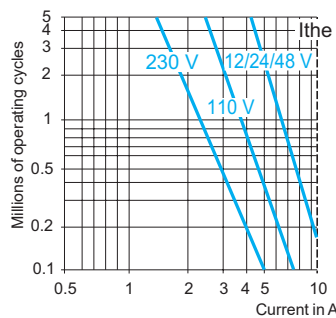
- Conforming to IEC 60947-5-1 Appendix C
- Utilisation categories AC-15 and DC-13
- Maximum operating rate: 3600 operating cycles/hour
- Load factor: 0.5

XE2SP21●1, XE2SP2141

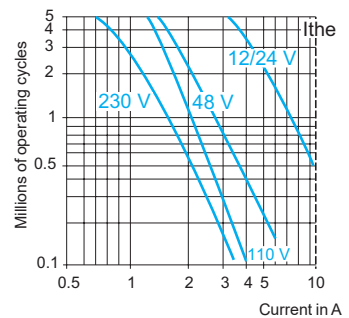
AC supply
50/60 Hz ~
mm inductive circuit



XE2NP21●1



XCKJ plug-in, XESP20●1



DC supply ---

Power broken in W for 5 million operating cycles.

Voltage	V	24	48	120
mm	W	10	7	4

Power broken in W for 5 million operating cycles.

Voltage	V	24	48	120
mm	W	13	9	7

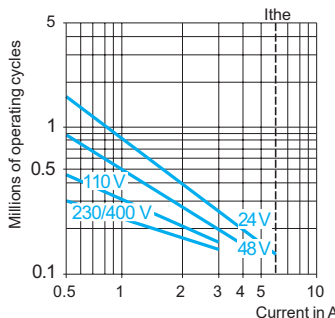
Power broken in W for 5 million operating cycles.

Voltage	V	24	48	120
mm	W	10	7	4

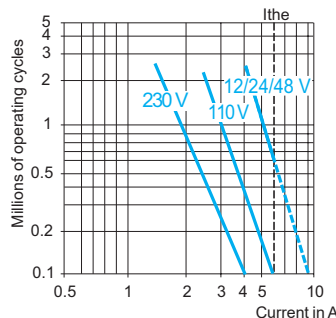
For XE2SP●151 on ~ or ---, NC and NO contacts simultaneously loaded to the values shown with reverse polarity.

XE3SP●●●●

AC supply
50/60 Hz ~
mm inductive circuit



XE3NP●●●●



DC supply ---

Power broken in W for 5 million operating cycles.

Voltage	V	24	48	120
mm	W	3	2	1

Power broken in W for 5 million operating cycles.

Voltage	V	24	48	120
mm	W	4	3	2

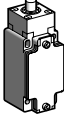
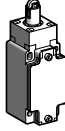


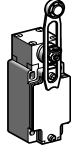

Limit switches

XC Standard range

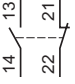
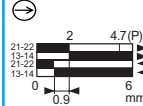
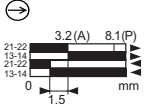
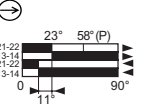
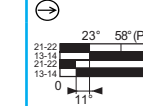
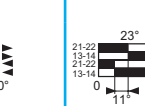
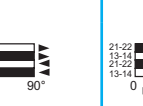
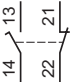
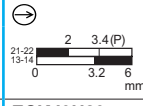
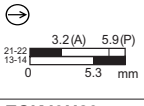
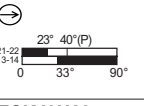
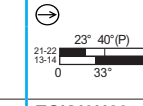
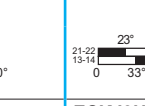
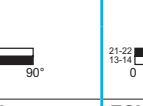
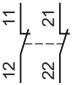

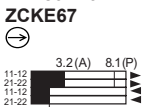
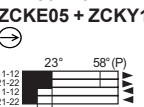
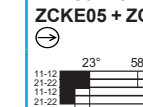


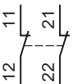

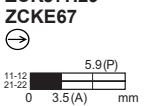
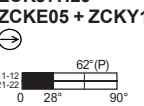
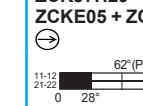


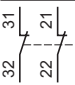

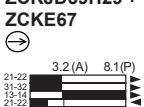
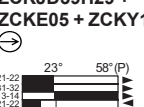



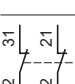
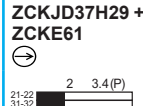
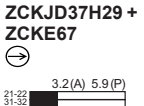
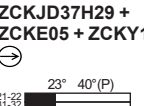






Industrial format EN 50041

Metal, conforming to CENELEC EN 50041, XCKJ

Complete fixed body switches with 1 cable entry

Type of head	Plunger (fixing by the body)		Rotary (fixing by the body) (switches supplied for actuation from left AND right)			
	Form B (1)	Form C (1)	Form A (1)			Form D (1)
						
Type of operator	Metal end plunger	Steel roller plunger	Thermoplastic roller lever (2)	Steel roller lever (2)	Variable length thermoplastic roller lever (2)	Round thermoplastic rod lever, Ø 6 mm (2) (4)

References of complete switches with 1 ISO M20 x 1.5 cable entry (3)

	2-pole NC + NO snap action (XE2SP2151)	XCKJ161H29 	XCKJ167H29 	XCKJ10511H29 	XCKJ10513H29 	XCKJ10541H29 	XCKJ10559H29 
	2-pole NC + NO break before make, slow break (XE2NP2151)	XCKJ561H29 	XCKJ567H29 	XCKJ50511H29 	XCKJ50513H29 	XCKJ50541H29 	XCKJ50559H29 
	2-pole NC + NC snap action (XE2SP2141)	ZCKJ9H29 + ZCKE61 	ZCKJ9H29 + ZCKE67 	ZCKJ9H29 + ZCKE05 + ZCKY11 	ZCKJ9H29 + ZCKE05 + ZCKY13 	ZCKJ9H29 + ZCKE05 + ZCKY41 	ZCKJ9H29 + ZCKE05 + ZCKY59 
	2-pole NC + NC simultaneous, slow break (XE2NP2141)	ZCKJ7H29 + ZCKE61 	ZCKJ7H29 + ZCKE67 	ZCKJ7H29 + ZCKE05 + ZCKY11 	ZCKJ7H29 + ZCKE05 + ZCKY13 	ZCKJ7H29 + ZCKE05 + ZCKY41 	ZCKJ7H29 + ZCKE05 + ZCKY59 
	3-pole NC + NC + NO snap action (XE3SP2141)	ZCKJD39H29 + ZCKE61 	ZCKJD39H29 + ZCKE67 	ZCKJD39H29 + ZCKE05 + ZCKY11 	ZCKJD39H29 + ZCKE05 + ZCKY13 	ZCKJD39H29 + ZCKE05 + ZCKY41 	ZCKJD39H29 + ZCKE05 + ZCKY59 
	3-pole NC + NC + NO break before make, slow break (XE3NP2141)	ZCKJD37H29 + ZCKE61 	ZCKJD37H29 + ZCKE67 	ZCKJD37H29 + ZCKE05 + ZCKY11 	ZCKJD37H29 + ZCKE05 + ZCKY13 	ZCKJD37H29 + ZCKE05 + ZCKY41 	ZCKJD37H29 + ZCKE05 + ZCKY59 
Weight (kg)	0.430	0.455	0.480	0.490	0.485	0.485	
Contact operation	 closed  open		(A) = cam displacement (P) = positive opening point			 NC contact with positive opening operation	

References of complete switches with 1 Pg 13.5 cable entry (2)

For complete switches with entry for Pg 13.5 cable gland, delete H29 from the end of the reference. Example: XCKJ161H29 becomes XCKJ161.

References of complete switches with 1 entry for 1/2" NPT conduit (2)

For complete switches with entry for 1/2" NPT (USAS B2-1) conduit, replace H29 at the end of the reference by H7. Example: XCKJ161H29 becomes XCKJ161H7.

(1) Form conforming to EN 50041, see page 25.

(2) Adjustable throughout 360° in 5° steps, or in 45° steps by reversing the lever or its mounting.

(3) Switches with gold contacts or eyelet type connections: please consult our Customer Care Centre.

(4) Value taken with actuation by moving part at 100 mm from the fixing.

Limit switches

XC Standard range

Industrial format EN 50041

Metal, conforming to CENELEC EN 50041, XCKJ

Complete fixed body switches with 1 cable entry

Characteristics

Switch actuation	On end	By 30° cam			By any moving part
Type of actuation					
Maximum actuation speed	0.5 m/s	1 m/s	1.5 m/s		
Mechanical durability (1) (in millions of operating cycles)	30	25	30		
Minimum force or torque	For tripping	20 N	16 N	0.25 N.m	
	For positive opening	50 N	40 N	0.50 N.m	
Cable entry (3)	1 entry tapped M20 x 1.5 mm for ISO cable gland, clamping capacity 9 to 12 mm				

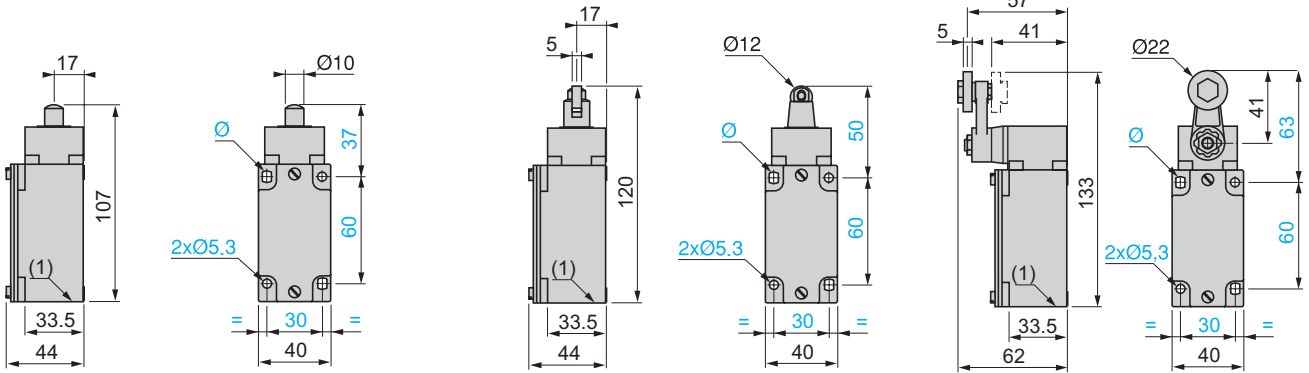
(1) Limited to 15 million operating cycles for switches with contacts XE3●P.

Dimensions

XCKJ●61H29
ZCKJ● + ZCKE61

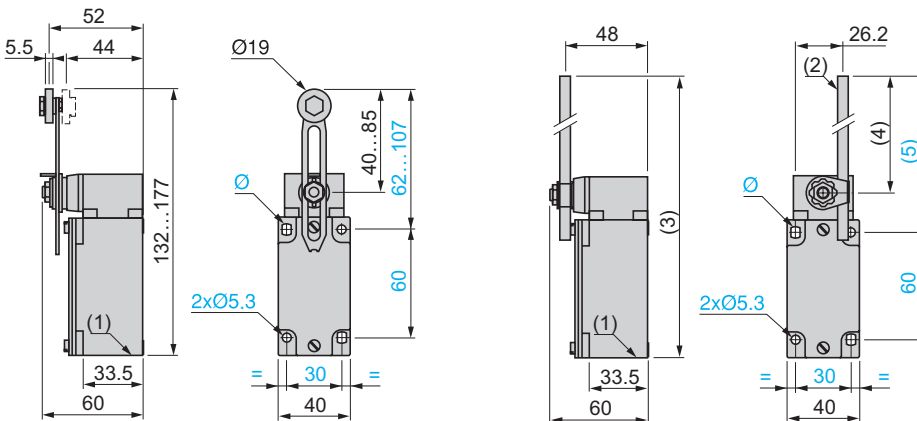
XCKJ●67H29
ZCKJ● + ZCKE67

XCKJ●051●H29
ZCKJ● + ZCKE05 + ZCKY11 or Y13



XCKJ●0541H29
ZCKJ● + ZCKE05 + ZCKY41

XCKJ●0559H29
ZCKJ● + ZCKE05 + ZCKY59



(1) 1 tapped entry for ISO M20 x 1.5 or Pg 13.5 cable gland or tapped 1/2" NPT.

(2) Ø 6 rod, length 200 mm.

(3) 282 max.

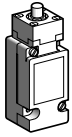
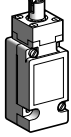


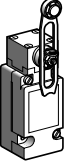
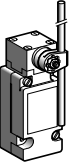
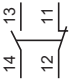
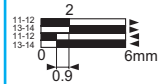
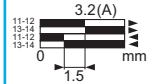
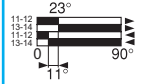
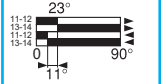
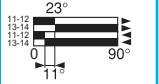
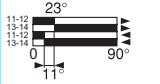


(4) 190 max.

(5) 212 max.

Ø: 2 elongated holes Ø 5.3 x 7.3.

Limit switches

XC Standard range, industrial format EN 50041
Metal, conforming to CENELEC EN 50041, XCKJ
Complete switches, plug-in body
With 1 cable entry

Type of head	Plunger (fixing by the body)		Rotary (fixing by the body) (switches supplied for actuation from left AND right)			
	Form B (1)	Form C (1)	Form A (1)		Form D (1)	
						
Type of operator	Metal end plunger	Steel roller plunger	Thermoplastic roller lever (2)	Steel roller lever (2)	Variable length thermoplastic roller lever (2)	Round thermoplastic rod lever, Ø 6 mm (2) (4)
References of complete switches with 1 ISO M20 x 1.5 cable entry (3)						
 Single-pole CO snap action	XCKJ1161H29	XCKJ1167H29	XCKJ110511H29	XCKJ110513H29	XCKJ110541H29	XCKJ110559H29
						
Weight (kg)	0.430	0.455	0.480	0.490	0.485	0.485
Contact operation	 closed  open		(A) = cam displacement			

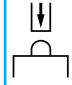
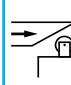
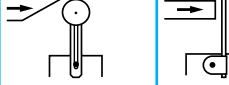
References of complete switches with 1 Pg 13.5 cable entry (3)

For complete switches with entry for Pg 13.5 cable gland, delete **H29** from the end of the reference.
Example: **XCKJ1161H29** becomes **XCKJ1161**.

References of complete switches with 1 entry for 1/2" NPT conduit (3)

For complete switches with entry for 1/2" NPT (USAS B2-1) conduit, replace **H29** at the end of the reference by **H7**.
Example: **XCKJ1161H29** becomes **XCKJ1161H7**.

Characteristics

Switch actuation	On end	By 30° cam	By any moving part
Type of actuation			
Maximum actuation speed	0.5 m/s	1 m/s	1.5 m/s
Mechanical durability (in millions of operating cycles)	30	25	30
Minimum tripping force or torque	20 N	16 N	0.25 N.m
Cable entry	1 entry tapped M20 x 1.5 for ISO cable gland Clamping capacity 7 to 13 mm		

(1) Form conforming to EN 50041, see page 25.

(2) Adjustable throughout 360° in 5° steps, or in 45° steps by reversing the lever or its mounting.

(3) Switches with gold contacts: please consult our Customer Care Centre.

(4) Value taken with actuation by moving part at 100 mm from the fixing.

Limit switches

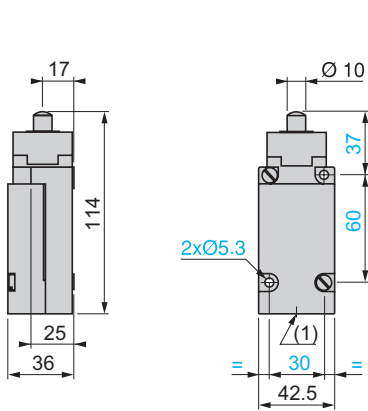
XC Standard range, industrial format EN 50041

Metal, conforming to CENELEC EN 50041, XCKJ

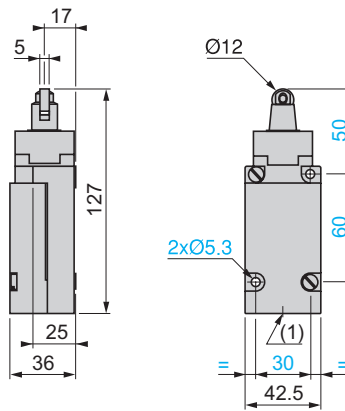
Complete switches, plug-in body

With 1 cable entry

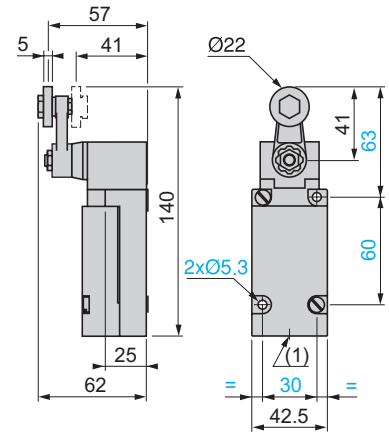
XCKJ1161H29



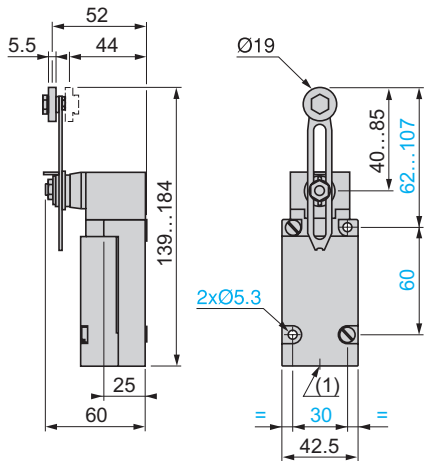
XCKJ1167H29



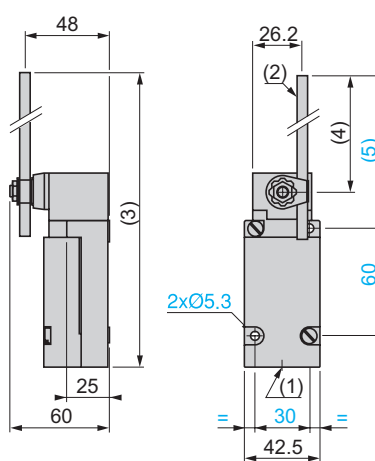
XCKJ110511H29, XCKJ110513H29



XCKJ110541H29



XCKJ110559H29



(1) 1 tapped entry for ISO M20 x 1.5 or Pg 13.5 cable gland or for 1/2" NPT conduit.

(2) Ø 6 rod, length 200 mm.

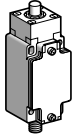
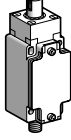
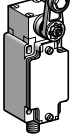
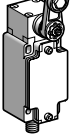

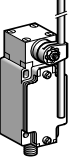
(3) 289 max.

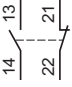
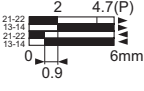
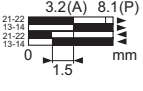
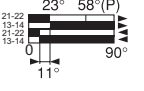
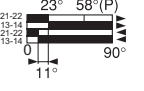
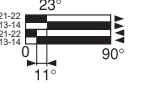
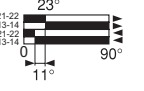
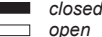
(4) 190 max.

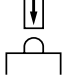
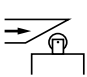
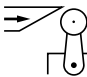
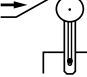
(5) 212 max.

Limit switches

XC Standard range, industrial format EN 50041
Metal, conforming to CENELEC EN 50041, XCKJ
Complete switches, fixed body
M12 connector

Type of head	Plunger (fixing by the body)		Rotary (fixing by the body) (switches supplied for actuation from left AND right)			
	Form B (1)	Form C (1)	Form A (1)		Form D (1)	
						
Type of operator	Metal end plunger	Steel roller plunger	Thermoplastic roller lever (2)	Steel roller lever (2)	Variable length thermoplastic roller lever (2)	Round thermoplastic rod lever, Ø 6 mm (2) (3)

References (4)	2-pole NC + NO snap action (XE2SP2151)					
	XCKJ161D	XCKJ167D	XCKJ10511D	XCKJ10513D	XCKJ10541D	XCKJ10559D
						
Weight (kg)	0.430	0.455	0.480	0.490	0.485	0.485
Contact operation			(A) = cam displacement (P) = positive opening point			

Characteristics				
Switch actuation	On end	By 30° cam		By any moving part
Type of actuation				
Maximum actuation speed	0.5 m/s	1 m/s	1.5 m/s	
Mechanical durability (in millions of operating cycles)	30	25	30	
Minimum force or torque	For tripping	20 N	16 N	0.25 N.m
	For positive opening	50 N	40 N	0.50 N.m
Connection	M12 connector, U _i = 60 V, I _e = 4 A (see suitable pre-wired female connectors below).			

- (1) Form conforming to EN 50041, see page 25.
- (2) Adjustable throughout 360° in 5° steps, or in 45° steps by reversing the lever or its mounting.
- (3) Value taken with actuation by moving part at 100 mm from the fixing.
- (4) Switches with gold contacts: please consult our Customer Care Centre.

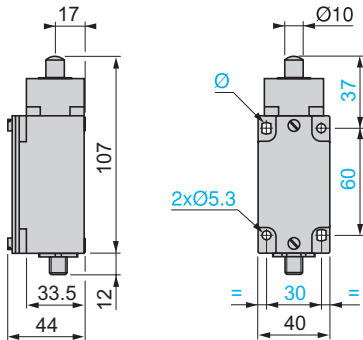
References of suitable pre-wired female connectors		
Type of connector	M12 straight, 5-pin, 4 A/24 V max.	M12 elbowed, 5-pin, 4 A/24 V max.
With cable, Ø 5.8 mm (4 x 0.34 mm ² + 1 x 0.5 mm ²)	L = 2 m	XZCP1164L2
	L = 5 m	XZCP1164L5
	L = 10 m	XZCP1164L10
Weight (kg)	L = 2 m	0.115
	L = 5 m	0.270
	L = 10 m	0.520

Limit switches

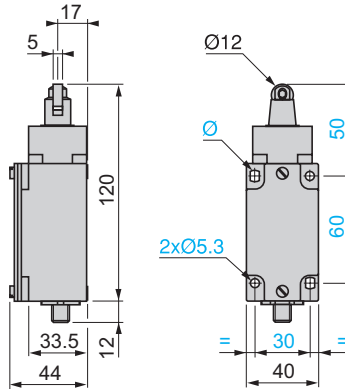
XC Standard range, industrial format EN 50041
Metal, conforming to CENELEC EN 50041, XCKJ
Complete switches, fixed body
M12 connector

Dimensions

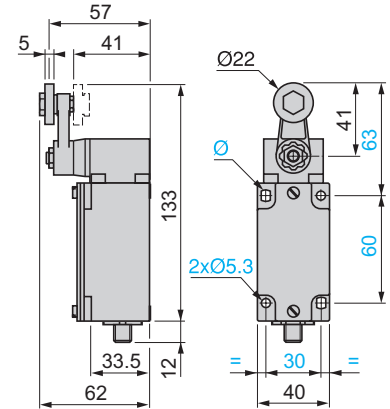
XCKJ161D



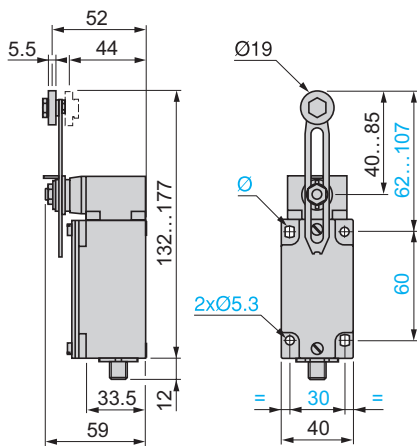
XCKJ167D



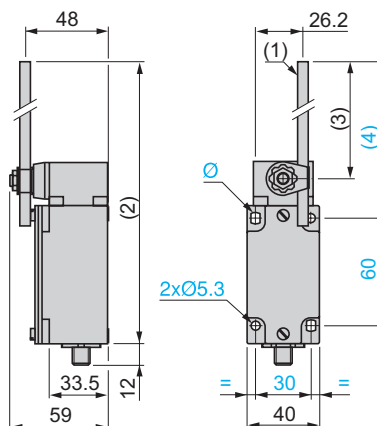
XCKJ1051D



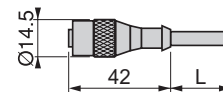
XCKJ10541D



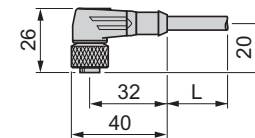
XCKJ10559D



XZCP1164L



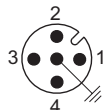
XZCP1264L



- (1) Ø 6 rod, length 200 mm.
- (2) 282 max.
- (3) 190 max.
- (4) 212 max.
- Ø: 2 elongated holes Ø 5.3 x 7.3.
- L: Cable length 2, 5 or 10 m.

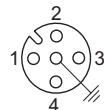
Connections

Limit switch XCKJ●●●●D



- 1-2 = NC
- 3-4 = NO
- 5 = \perp
- 4 A / 24 V max.

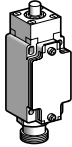
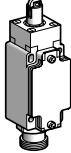
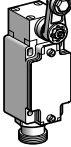
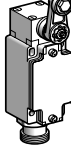
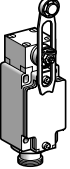
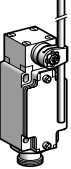
Pre-wired female connector XZCP1●64L


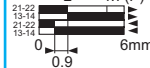




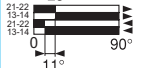
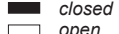
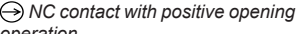


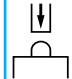
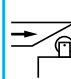

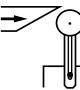
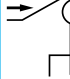
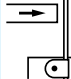
- 1 = brown
- 2 = white
- 3 = blue
- 4 = black
- 5 = \perp yellow/green

Limit switches

XC Standard range, industrial format EN 50041
Metal, conforming to CENELEC EN 50041, XCKJ
Complete switches, fixed body
7/8"-16UN connector

Type of head	Plunger (fixing by the body)		Rotary (fixing by the body) (switches supplied for actuation from left AND right)			
	Form B (1)	Form C (1)	Form A (1)		Form D (1)	
						
Type of operator	Metal end plunger	Steel roller plunger	Thermoplastic roller lever (2)	Steel roller lever (2)	Variable length thermoplastic roller lever (2)	Round thermoplastic rod lever, Ø 6 mm (2) (3)

References (4)	2-pole NC + NO snap action (XE2SP2151)					
	XCKJ161A	XCKJ167A	XCKJ10511A	XCKJ10513A	XCKJ10541A	XCKJ10559A
						
Weight (kg)	0.430	0.455	0.480	0.490	0.485	0.485
Contact operation			(A) = cam displacement (P) = positive opening point			

Characteristics						
Switch actuation	On end	By 30° cam			By any moving part	
Type of actuation						
Maximum actuation speed	0.5 m/s	1 m/s	1.5 m/s			
Mechanical durability (in millions of operating cycles)	30	25	30			
Minimum force or torque	For tripping	20 N	16 N	0.25 N.m		
	For positive opening	50 N	40 N	0.50 N.m		
Connection	7/8"-16UN connector, Ui = 250 V; Ie = 6 A (see suitable pre-wired female connectors below).					

- (1) Form conforming to EN 50041, see page 25.
- (2) Adjustable throughout 360° in 5° steps, or in 45° steps by reversing the lever or its mounting.
- (3) Value taken with actuation by moving part at 100 mm from the fixing.
- (4) Switches with gold contacts: please consult our Customer Care Centre.

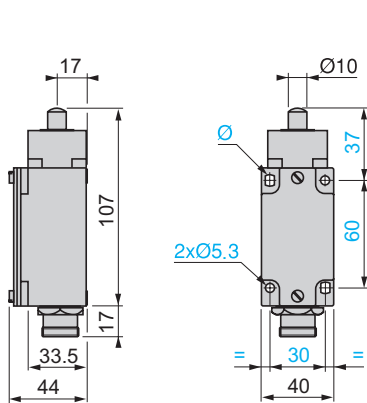
References of suitable pre-wired female connectors		
Type of connector	7/8"-16UN straight, 5-pin, 4 A/250 V max.	
With cable, Ø 5.9 mm (5 x 0.34 mm ²)	L = 2 m	XZCP1764L2
	L = 5 m	XZCP1764L5
	L = 10 m	XZCP1764L10
Weight (kg)	L = 2 m	0.185
	L = 5 m	0.460
	L = 10 m	0.900

Limit switches

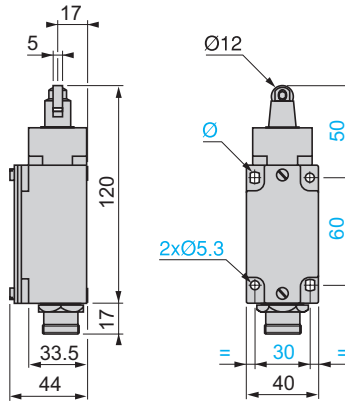
XC Standard range, industrial format EN 50041
Metal, conforming to CENELEC EN 50041, XCKJ
Complete switches, fixed body
7/8"-16UN connector

Dimensions

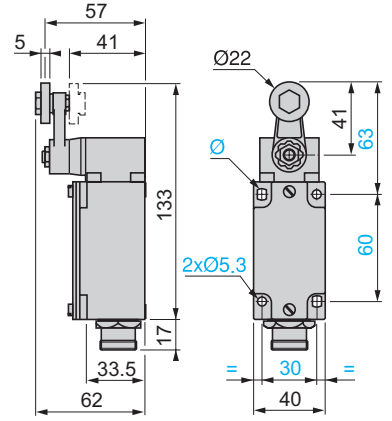
XCKJ161A



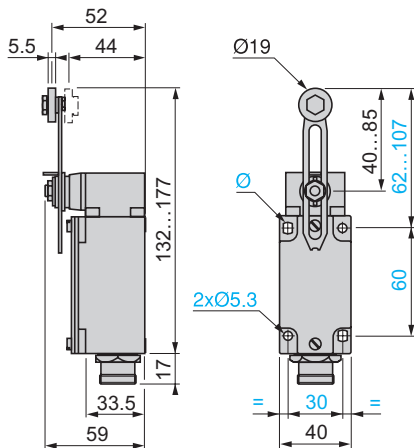
XCKJ167A



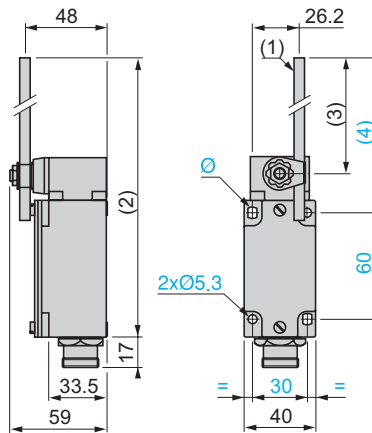
XCKJ1051●A



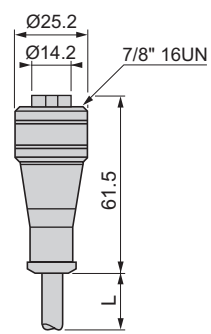
XCKJ10541A



XCKJ10559A



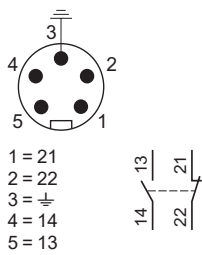
XZCP1764●



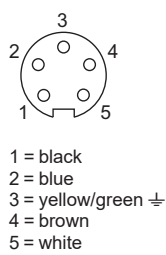
- (1) Ø 6 rod, length 200 mm.
- (2) 282 max.
- (3) 190 max.
- (4) 212 max.
- Ø: 2 elongated holes Ø 5.3 x 7.3.
- L: Cable length 2, 5 or 10 m.

Connections

Limit switch XCKJ●●●●A

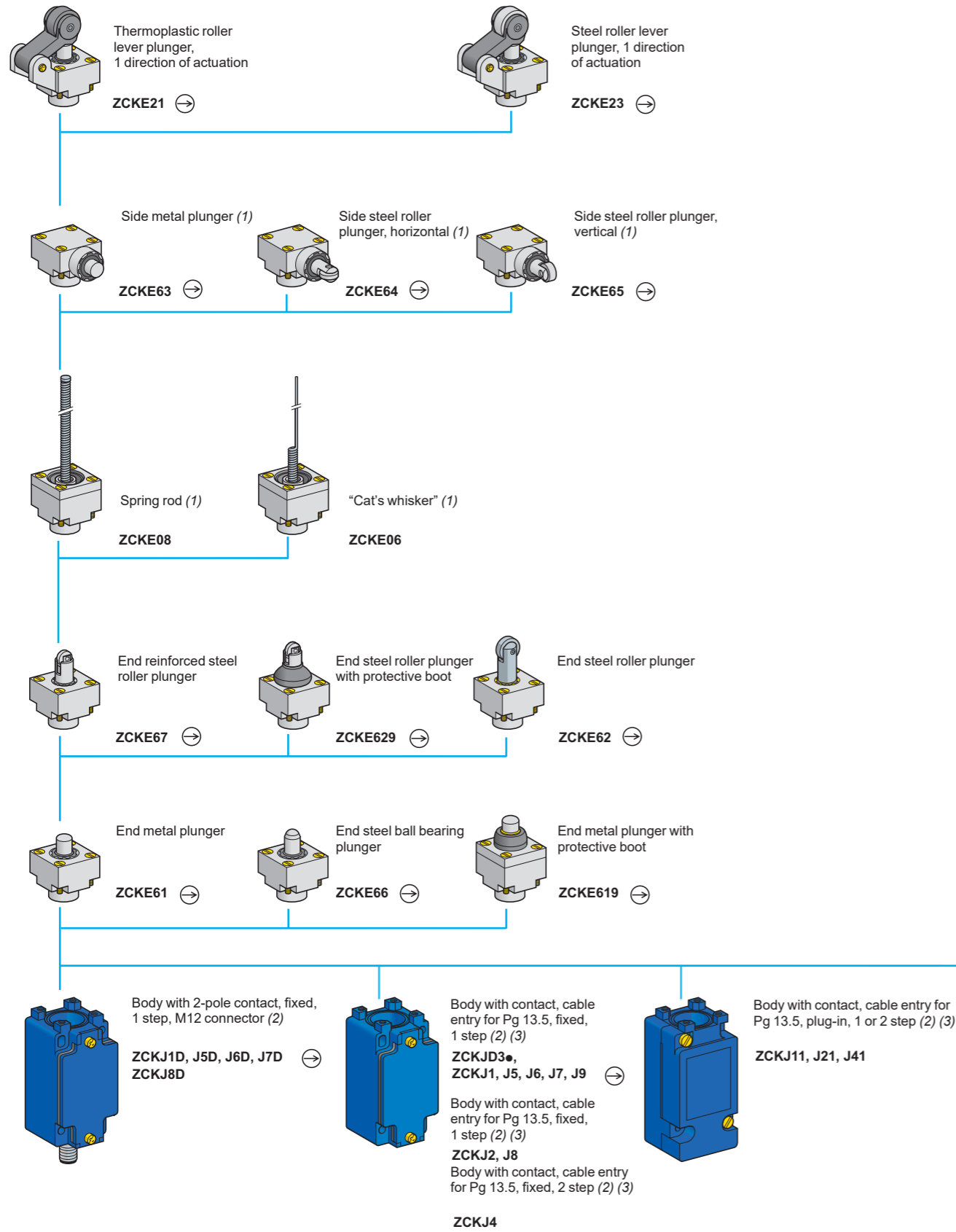


Pre-wired female connector XZCP1764●

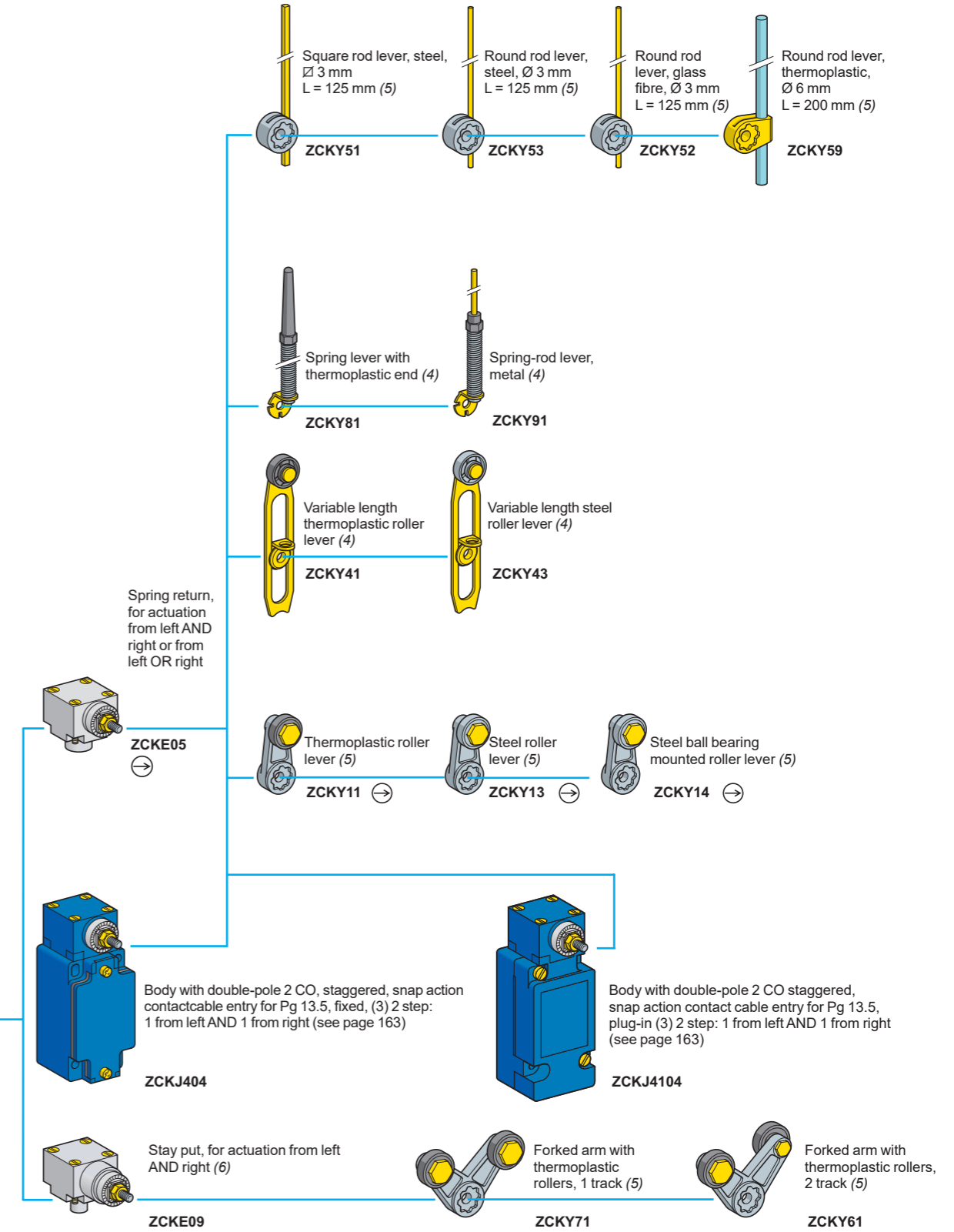


Limit switches

XC Standard range, industrial format EN 50041
 Metal, conforming to CENELEC EN 50041, XCKJ
 Fixed or plug-in body
 Variable composition: standard bodies



(1) Cannot be used with bodies ZCKJ4 and ZCKJ41.
 (2) For further information, see page 159.
 (3) For a cable entry tapped ISO M20 x 1.5, add H29 to the reference. Example: ZCKJ1 becomes ZCKJ1H29.
 For a cable entry tapped 1/2" NPT, add H7 to the reference. Example: ZCKJ1 becomes ZCKJ1H7.



⊙ : head assuring positive opening operation.
 (4) Adjustable throughout 360° in 5° steps, or in 90° steps by reversing the notched washer.
 (5) Adjustable throughout 360° in 5° steps, or in 45° steps by reversing the lever mounting.
 (6) Suitable for bodies with contacts ZCKJ1, J2, J31, J39.

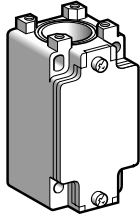
Limit switches

XC Standard range, industrial format EN 50041

Metal, conforming to CENELEC EN 50041, XCKJ

Fixed or plug-in body

Adaptable sub-assemblies: standard bodies



ZCKJ●

Fixed bodies with 2-pole contact

Type	With contact block	Scheme	Positive operation (1)	Cable entry	Reference	Weight kg
1 step	1 NC + 1 NO snap action (XE2SP2151)		⊖	Pg 13.5	ZCKJ1	0.310
				ISO M20 x 1.5	ZCKJ1H29	0.310
				1/2" NPT	ZCKJ1H7	0.310
	2 CO simultaneous, snap action (XE2SP2021)		-	Pg 13.5	ZCKJ2	0.310
				ISO M20 x 1.5	ZCKJ2H29	0.310
				1/2" NPT	ZCKJ2H7	0.310
	1 NC + 1 NO break before make, slow break (XE2NP2151)		⊖	Pg 13.5	ZCKJ5	0.310
				ISO M20 x 1.5	ZCKJ5H29	0.310
				1/2" NPT	ZCKJ5H7	0.310
1 NO + 1 NC make before break, slow break (XE2NP2161)		⊖	Pg 13.5	ZCKJ6	0.310	
			ISO M20 x 1.5	ZCKJ6H29	0.310	
			1/2" NPT	ZCKJ6H7	0.310	
2 NC simultaneous, slow break (XE2NP2141)		⊖	Pg 13.5	ZCKJ7	0.310	
			ISO M20 x 1.5	ZCKJ7H29	0.310	
			1/2" NPT	ZCKJ7H7	0.310	
2 NO simultaneous, slow break (XE2NP2131)		-	Pg 13.5	ZCKJ8	0.310	
			ISO M20 x 1.5	ZCKJ8H29	0.310	
			1/2" NPT	ZCKJ8H7	0.310	
2 NC snap action (XE2SP2141)		⊖	Pg 13.5	ZCKJ9	0.310	
			ISO M20 x 1.5	ZCKJ9H29	0.310	
			1/2" NPT	ZCKJ9H7	0.310	
2 step	2 CO staggered snap action (XE2SP2031)		-	Pg 13.5	ZCKJ4	0.310
				ISO M20 x 1.5	ZCKJ4H29	0.310
				1/2" NPT	ZCKJ4H7	0.310

Fixed bodies with 3-pole contact

Type	With contact block	Scheme	Positive operation (1)	Cable entry	Reference	Weight kg
-	1 NC + 2 NO snap action (XE3SP2151)		⊖	Pg 13.5	ZCKJD31	0.310
				ISO M20 x 1.5	ZCKJD31H29	0.310
				1/2" NPT	ZCKJD31H7	0.310
				2 NC + 1 NO snap action (XE3SP2141)		⊖
ISO M20 x 1.5	ZCKJD39H29	0.310				
1/2" NPT	ZCKJD39H7	0.310				
2 NC + 1 NO break before make, slow break (XE3NP2141)		⊖	Pg 13.5	ZCKJD37	0.310	
			ISO M20 x 1.5	ZCKJD37H29	0.310	
			1/2" NPT	ZCKJD37H7	0.310	
1 NC + 2 NO break before make, slow break (XE3NP2151)		⊖	Pg 13.5	ZCKJD35	0.310	
			ISO M20 x 1.5	ZCKJD35H29	0.310	
			1/2" NPT	ZCKJD35H7	0.310	

(1) ⊖: NC contact with positive opening operation.

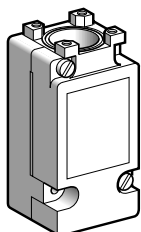
Limit switches

XC Standard range, industrial format EN 50041

Metal, conforming to CENELEC EN 50041, XCKJ

Fixed or plug-in body

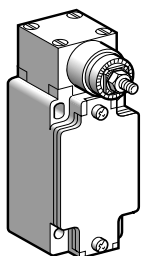
Adaptable sub-assemblies: standard bodies



ZCKJ01

Plug-in bodies with contact

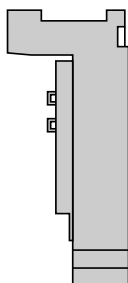
Type	With contact block	Scheme	Positive operation (1)	Cable entry	Reference	Weight kg
1 step	Single-pole 1 CO snap action		-	Pg 13.5	ZCKJ11	0.300
				ISO M20 x 1.5	ZCKJ11H29	0.300
				1/2" NPT	ZCKJ11H7	0.300
2 step	Double-pole 2 CO simultaneous, snap action		-	Pg 13.5	ZCKJ21	0.300
				ISO M20 x 1.5	ZCKJ21H29	0.300
				1/2" NPT	ZCKJ21H7	0.300
2 step	Double-pole 2 CO staggered, snap action		-	Pg 13.5	ZCKJ41	0.300
				ISO M20 x 1.5	ZCKJ41H29	0.300
				1/2" NPT	ZCKJ41H7	0.300



ZCKJ404

Bodies with contact, with rotary head (without operating lever)

Type	With contact block	Scheme	Positive operation (1)	Cable entry	Reference	Weight kg
Fixed body						
2 step 1 from left AND 1 from right (see page 163)	Double-pole 2 CO staggered, snap action		-	Pg 13.5	ZCKJ404	0.455
				ISO M20 x 1.5	ZCKJ404H29	0.455
				1/2" NPT	ZCKJ404H7	0.455
Plug-in body						
2 step 1 from left AND 1 from right (see page 163)	Double-pole 2 CO staggered, snap action		-	Pg 13.5	ZCKJ4104	0.465
				ISO M20 x 1.5	ZCKJ4104H29	0.465
				1/2" NPT	ZCKJ4104H7	0.465



ZCKJ00

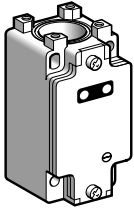
Plug-in housing only

Description	For use with	Contacts	Reference	Weight kg
Single-pole 1 CO with positive opening operation	ZCKJ11	Silver	ZCKJ01	0.150
Double-pole 2 CO with positive opening operation	ZCKJ21	Silver	ZCKJ02	0.160
Double-pole 2 CO staggered	ZCKJ41	Silver	ZCKJ04	0.160

(1) ⊖: NC contact with positive opening operation.

Limit switches

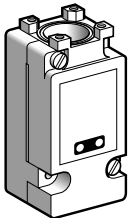
XC Standard range, industrial format EN 50041
Metal, conforming to CENELEC EN 50041, XCKJ
Fixed or plug-in body. Adaptable sub-assemblies:
bodies with indicator light module



ZCKJ●●●

Fixed bodies with 2-pole contact

Type	With contact block	Scheme	Positive operation (1)	Cable entry	Reference	Weight kg
With module comprising 1 LED, 24 V $\overline{\text{---}}$						
1 step	1 NC + 1 NO snap action (XE2SP2151)			Pg 13.5	ZCKJ120	0.320
	1 NC + 1 NO break before make, slow break (XE2NP2151)			Pg 13.5	ZCKJ520	0.320
With module comprising 2 LEDs, 24 V $\overline{\text{---}}$						
1 step	1 NC + 1 NO snap action (XE2SP2151)			Pg 13.5 ISO M20 x 1.5	ZCKJ121 ZCKJ121H29	0.320 0.320
	1 NC + 1 NO break before make, slow break (XE2NP2151)			Pg 13.5 ISO M20 x 1.5	ZCKJ521 ZCKJ521H29	0.320 0.320
With module comprising 2 LEDs, 110/240 V \sim						
1 step	1 NC + 1 NO snap action (XE2SP2151)			Pg 13.5 ISO M20 x 1.5	ZCKJ134 ZCKJ134H29	0.320 0.320
	1 NC + 1 NO break before make, slow break (XE2NP2151)			Pg 13.5 ISO M20 x 1.5	ZCKJ534 ZCKJ534H29	0.320 0.320



ZCKJ1●●●

Plug-in bodies with single-pole contact

Type	With contact block	Scheme	Positive operation (1)	Cable entry	Reference	Weight kg
With module comprising 2 LEDs, 24 V $\overline{\text{---}}$						
1 step	CO snap action		—	Pg 13.5 ISO M20 x 1.5	ZCKJ1121 ZCKJ1121H29	0.340 0.340
With module comprising 2 LEDs, 110/240 V \sim						
1 step	CO snap action		—	Pg 13.5 ISO M20 x 1.5	ZCKJ1134 ZCKJ1134H29	0.340 0.340

(1) : NC contact with positive opening operation.

Indicator light module characteristics

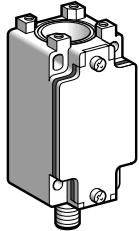
Type of indicator	1 LED or 2 LEDs	2 LEDs
Rated insulation voltage	50 V $\overline{\text{---}}$, conforming to IEC 60947-1	250 V \sim , conforming to IEC 60947-1
Current consumption	7 mA per LED	9 mA per LED
Rated operational voltage	24 V $\overline{\text{---}}$	110/240 V \sim
Voltage limits	20...30 V $\overline{\text{---}}$ (including ripple)	95...264 V \sim
Service life	100 000 hours	100 000 hours
Reverse polarity protection	Yes	—

Limit switches

XC Standard range, industrial format EN 50041

Metal, conforming to CENELEC EN 50041, XCKJ

Fixed or plug-in body. Adaptable sub-assemblies:
bodies with M12 connector



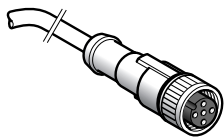
ZCKJ•D

Fixed bodies with 2-pole contact

Type	With contact block	Scheme	Positive operation (1)	Reference	Weight kg
1 step	1 NC + 1 NO snap action (XE2SP2151)			ZCKJ1D	0.320
	1 NC + 1 NO break before make, slow break (XE2NP2151)			ZCKJ5D	0.320
	1 NO + 1 NC make before break, slow break (XE2NP2161)			ZCKJ6D	0.320
	2 NC simultaneous, slow break (XE2NP2141)			ZCKJ7D	0.320
	2 NO simultaneous, slow break (XE2NP2131)		-	ZCKJ8D	0.320

Female pre-wired connectors

Description	Cable length	Reference	Weight kg
Female pre-wired connectors, M12, straight Ø 5,0 mm cable Conductor c.s.a: 5 x 0.34 mm ² Nominal current : 4 A Nominal voltage: ~ 30 V, ~ 36 V	1 m	XZCP1164L2	0.115
	5 m	XZCP1164L5	0.270
	10 m	XZCP1164L10	0.520



XZCP1164L•

(1) NC contact with positive opening operation.

Limit switches

XC Standard range, industrial format EN 50041

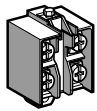
Metal, conforming to CENELEC EN 50041, XCKJ

Fixed or plug-in body

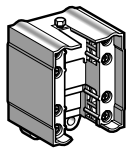
Adaptable sub-assemblies: contact blocks



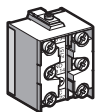
XE2SP21●1



XE2NP21●1



XESP20●1



XE3●P21●1

Contact blocks						
Type of contact	Scheme	For bodies	Positive operation (1)	Reference	Weight kg	
2-pole contact						
1 NC + 1 NO snap action		ZCKJ1 ZCKJ1D	⊖	XE2SP2151	0.020	
1 NC + 1 NO break before make, slow break		ZCKJ5 ZCKJ5D	⊖	XE2NP2151	0.020	
2 CO simultaneous snap action		ZCKJ2	-	XESP2021	0.045	
2 CO staggered, snap action		ZCKJ4	-	XESP2031	0.045	
1 NO + 1 NC make before break, slow break		ZCKJ6 ZCKJ6D	⊖	XE2NP2161	0.020	
2 NC simultaneous, slow break		ZCKJ7 ZCKJ7D	⊖	XE2NP2141	0.020	
2 NO simultaneous, slow break		ZCKJ8 ZCKJ8D	-	XE2NP2131	0.020	
2 NC snap action		ZCKJ9	⊖	XE2SP2141	0.020	
3-pole contact						
1 NC + 2 NO snap action		ZCKJD31	⊖	XE3SP2151	0.035	
2 NC + 1 NO snap action		ZCKJD39	⊖	XE3SP2141	0.035	
2 NC + 1 NO break before make, slow break		ZCKJD37	⊖	XE3NP2141	0.035	
1 NC + 2 NO break before make, slow break		ZCKJD35	⊖	XE3NP2151	0.035	

(1) ⊖: NC contact with positive opening operation.

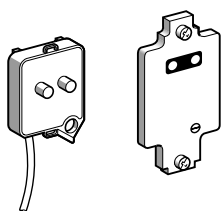
Limit switches

XC Standard range, industrial format EN 50041

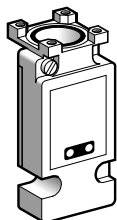
Metal, conforming to CENELEC EN 50041, XCKJ

Fixed or plug-in body

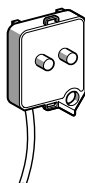
Adaptable sub-assemblies: add-ons



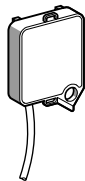
ZCKZ0●●



ZCKJ01●●



ZCKJ90●



ZCKJ82A

Covers + indicator light module

For use with	Number and type of indicators	Voltage	Reference	Weight kg
Fixed body	1 LED	24 V $\overline{\text{---}}$	ZCKZ020	0.060
	2 LEDs	24 V $\overline{\text{---}}$	ZCKZ021	0.060
	2 LEDs	110/240 V \sim	ZCKZ034	0.060
Plug-in body	2 LEDs	24 V $\overline{\text{---}}$	ZCKJ0121	0.200
	2 LEDs	110/240 V \sim	ZCKJ0134	0.200

Indicator light modules

For use with	Number and type of indicators	Voltage	Reference	Weight kg
Fixed body	1 LED	24 V $\overline{\text{---}}$	ZCKJ902	0.030
	2 LEDs	24 V $\overline{\text{---}}$	ZCKJ906	0.030
	2 LEDs	110/240 V \sim	ZCKJ904	0.030

Module with resistor for machine diagnostics

For use with	Resistor value	Reference	Weight kg
Fixed body (ZCKJ1 only)	15 k Ω , 1/4 W	ZCKJ82A	0.030

Other versions

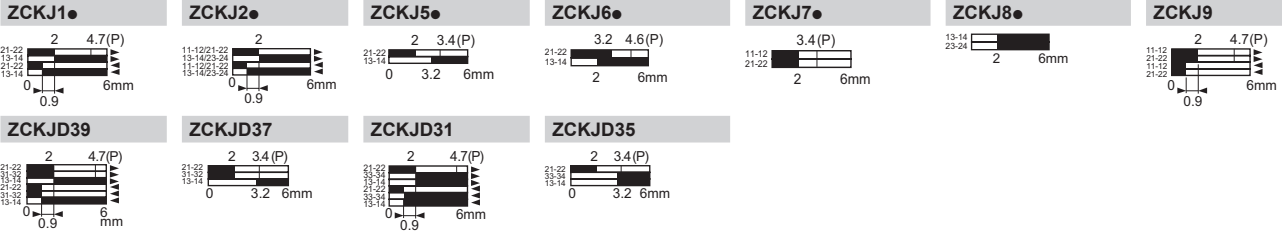
Covers + indicator light module for other supply voltages.
Please consult our Customer Care Centre.

Limit switches

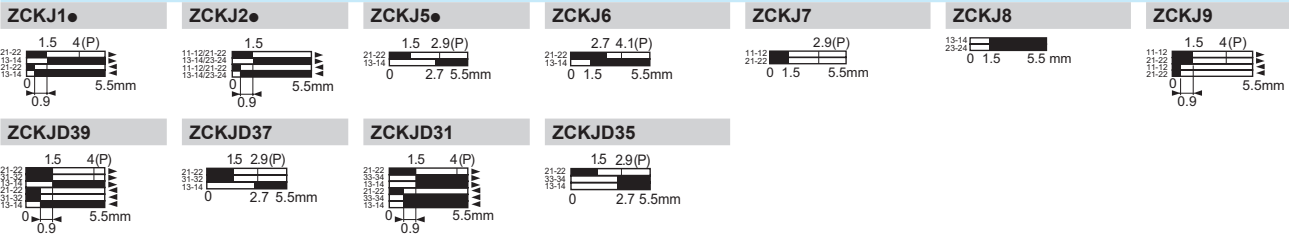
XC Standard range, industrial format EN 50041
 Metal, conforming to CENELEC EN 50041, XCKJ
 Fixed or plug-in body
 Adaptable sub-assemblies

Function diagrams (positive operation assured only if the associated sub-assemblies are)

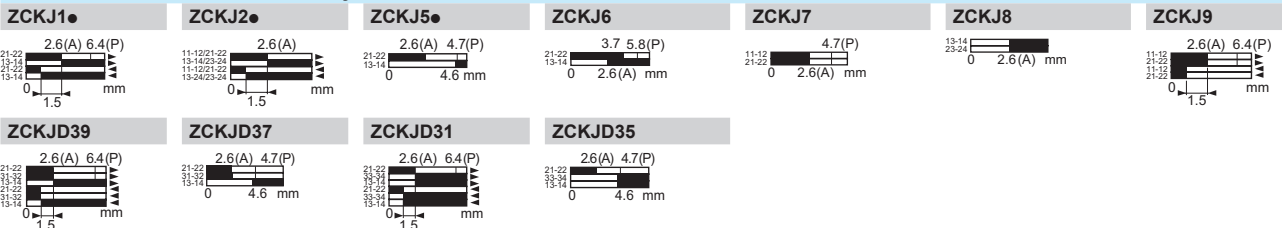
Heads ZCKE61, ZCKE619, ZCKE66 with body



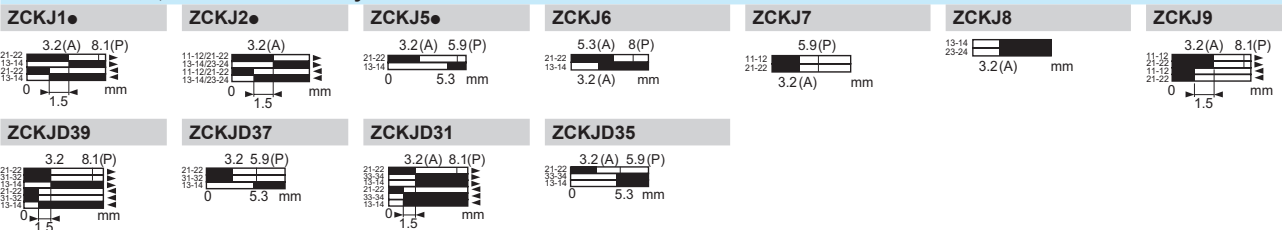
Head ZCKE63 with body



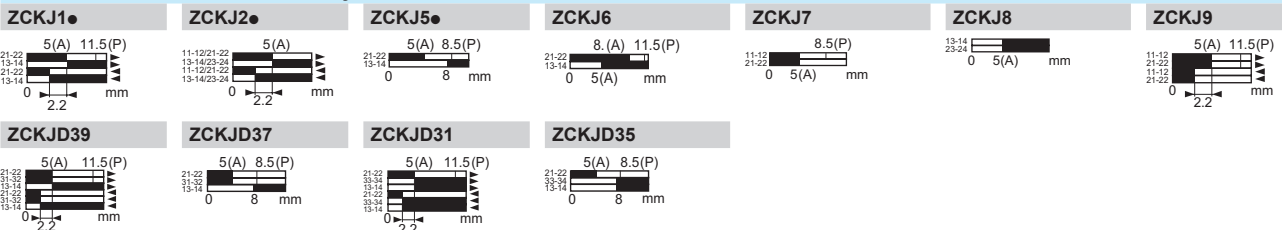
Heads ZCKE64, ZCKE65 with body



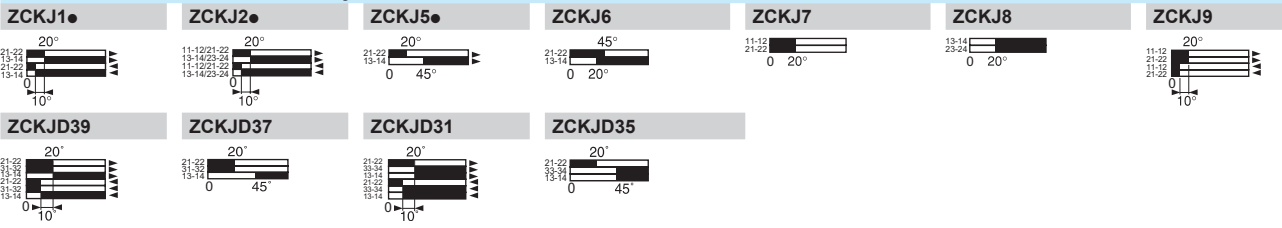
Heads ZCKE67, ZCKE629 with body



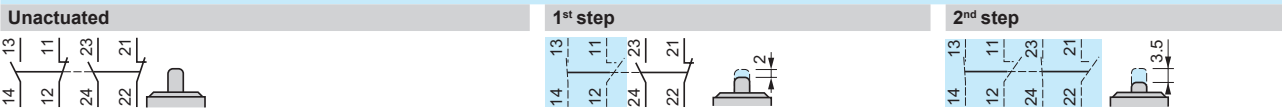
Heads ZCKE21, ZCKE23 with body



Heads ZCKE06, ZCKE08 with body



ZCKJ4



Contact operation

 closed
 open

(A) = cam displacement
 (P) = positive opening point

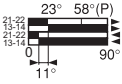
Limit switches

XC Standard range, industrial format EN 50041
Metal, conforming to CENELEC EN 50041, XCKJ
Fixed or plug-in body
Adaptable sub-assemblies

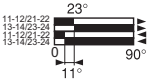
Function diagrams (positive operation assured only if the associated sub-assemblies are)

Head ZCKE05 with body

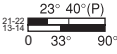
ZCKJ1●



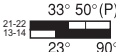
ZCKJ2●



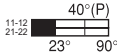
ZCKJ5●



ZCKJ6



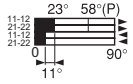
ZCKJ7



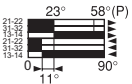
ZCKJ8



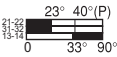
ZCKJ9



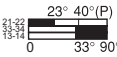
ZCKJD39



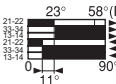
ZCKJD37



ZCKJD39

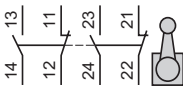


ZCKJD31

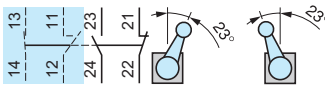


ZCKJ4●

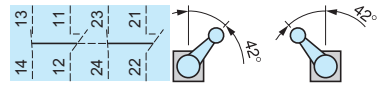
Unactuated



1st step, actuated from left or right

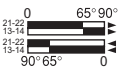


2nd step, actuated from left or right

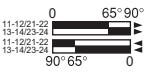


Head ZCKE09 with body

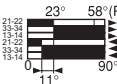
ZCKJ1●



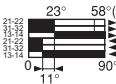
ZCKJ2●



ZCKJD31

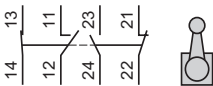


ZCKJD39

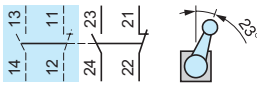


ZCKJ404, J4104 (body with head)

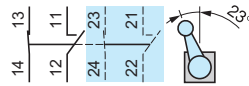
Unactuated



Actuated from left



Actuated from right



Contact operation

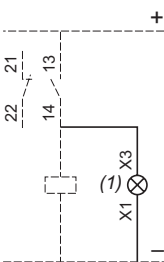
 closed
 open

(P) = positive opening point

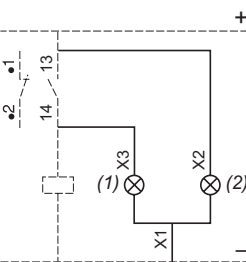
Wiring schemes

Indicator light modules

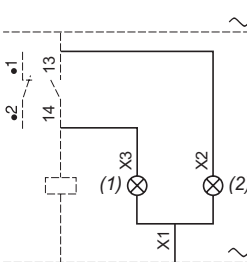
1 LED, 24 V $\overline{\text{DC}}$



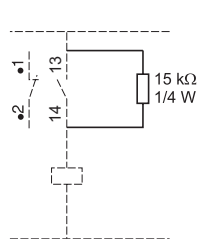
2 LEDs, 24 V $\overline{\text{DC}}$



2 LEDs, 110/240 V \sim

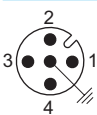


Module with resistor



(1) Orange indicator
(2) Green indicator

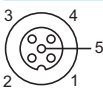
ZCKJ●D



1 - 2 = NC
3 - 4 = NO
5 = \perp
4 A / 24 V max.



Pre-wired connectors XZCP1164●



1 = brown
2 = white/black
3 = blue
4 = black
5 = yellow/green

Limit switches

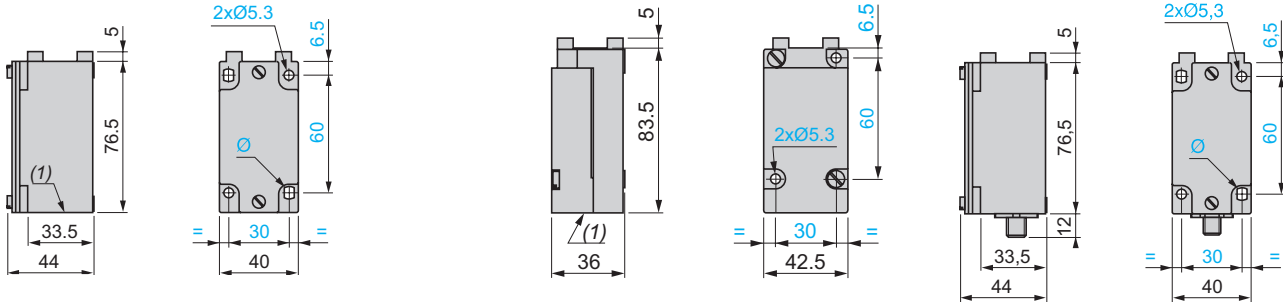
XC Standard range, industrial format EN 50041
 Metal, conforming to CENELEC EN 50041, XCKJ
 Fixed or plug-in body
 Adaptable sub-assemblies

Bodies

ZCKJ1, J2, J5, J4, J●2●, J●3●, J6, J7, J8, J9
 ZCKJ1H29, J2H29, J5H29, J4H29, J●2●H29, J●3●H29,
 J6H29, J7H29, J8H29, J9H29
 ZCKJ1H7, J2H7, J5H7, J4H7, J●2●H7, J●3●H7, J6H7,
 J7H7, J8H7, J9H7

ZCKJ11, J21, J41, J11●●
 ZCKJ11H29, J21H29, J41H29, J11●●H29
 ZCKJ11H7, J21H7, J41H7, J11●●H7

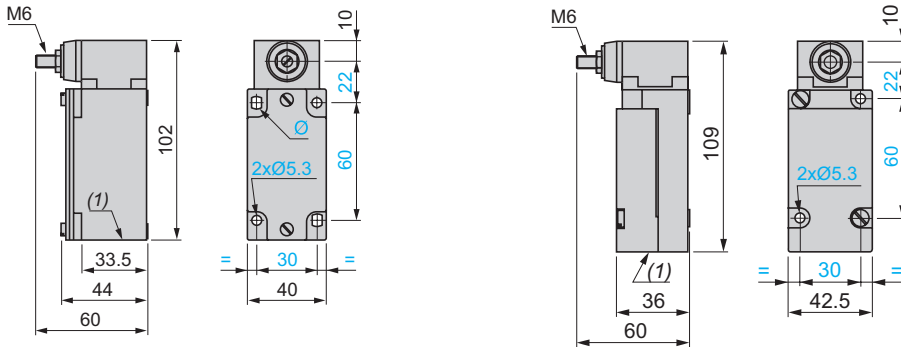
ZCKJ1D, J5D, J6D, J7D, J8D



Bodies with rotary head mounted

ZCKJ404, ZCKJ404H29, ZCKJ404H7

ZCKJ4104, ZCKJ4104H29, ZCKJ4104H7

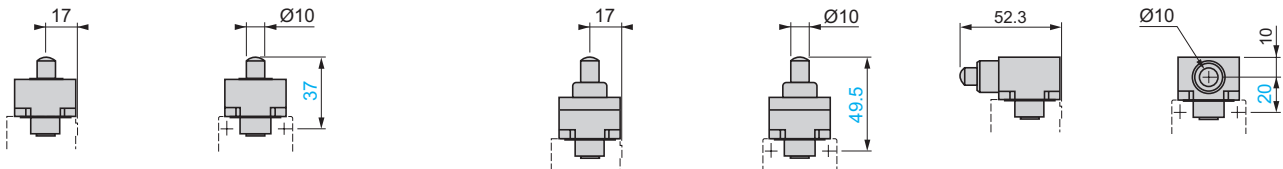


Plunger heads

ZCKE61

ZCKE619

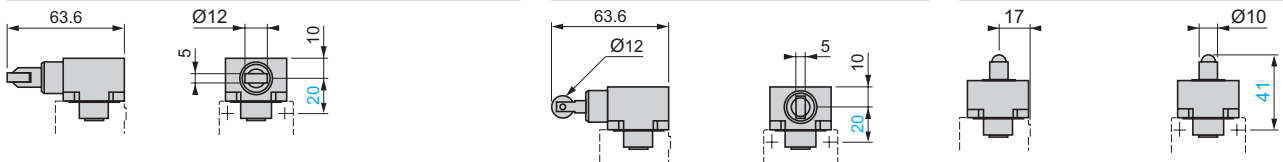
ZCKE63



ZCKE64

ZCKE65

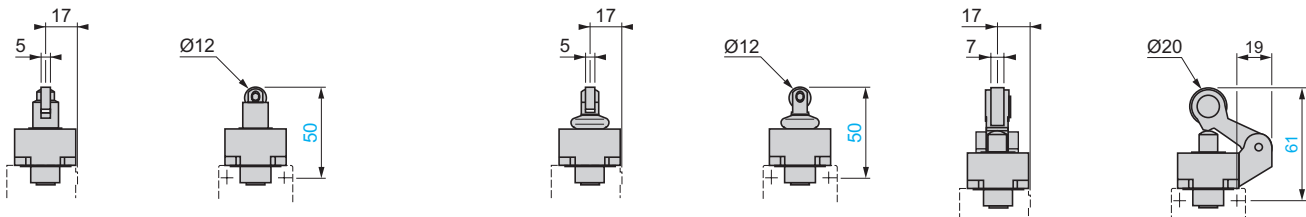
ZCKE66



ZCKE62, ZCKE67

ZCKE629

ZCKE21, ZCKE23



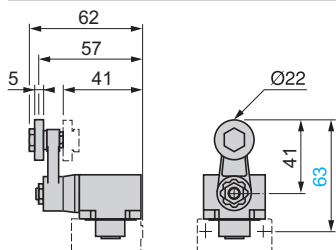
(1) 1 tapped entry for ISO M20 x 1.5 or Pg 13.5 cable gland or tapped 1/2" NPT.
 Ø: 2 elongated holes Ø 5.3 x 7.3.

Limit switches

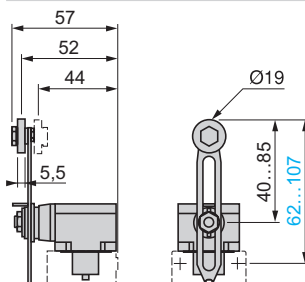
XC Standard range, industrial format EN 50041
 Metal, conforming to CENELEC EN 50041, XCKJ
 Fixed or plug-in body
 Adaptable sub-assemblies

Rotary head ZCKE05 with operating lever

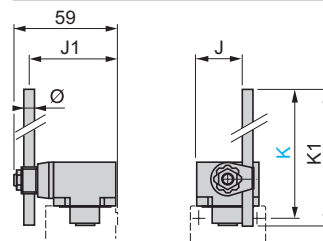
ZCKY11, ZCKY13, ZCKY14



ZCKY41, ZCKY43

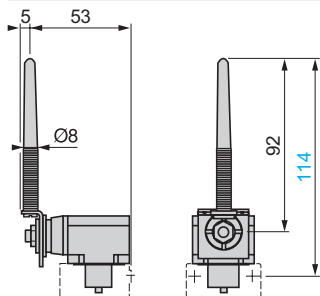


ZCKY51, ZCKY52, ZCKY53, ZCKY59

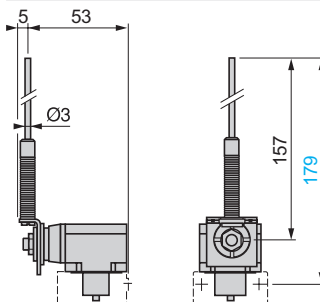


	J	J1	K max.	K1	Ø
ZCKY51	20	49	137	123	∅ 3
ZCKY52	20	49	137	125	∅ 3
ZCKY53	20	49	137	125	∅ 3
ZCKY59	26.2	48	212	200	∅ 6

ZCKY81

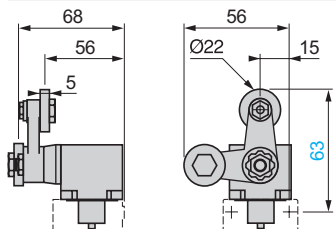


ZCKY91

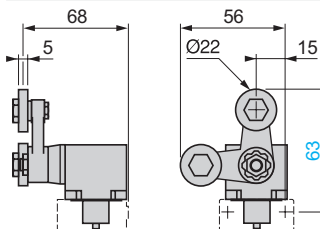


Rotary head ZCKE09 with operating lever

ZCKY61

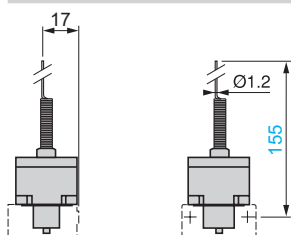


ZCKY71

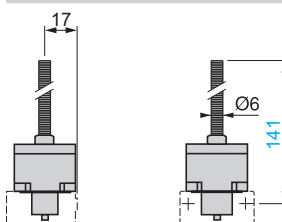


Multi-directional heads

ZCKE06

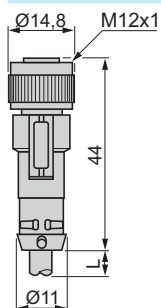


ZCKE08



Note: operating lever spindle threaded M6.

Pre-wired connectors XZCP1164L



L = 2, 5 or 10 m.

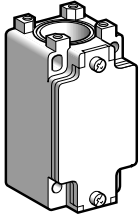
Limit switches

XC Standard range, industrial format EN 50041

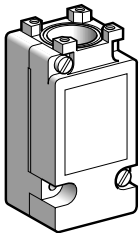
Metal, conforming to CENELEC EN 50041, XCKJ

Fixed or plug-in body

Adaptable sub-assemblies for low temperature applications (- 40°C)



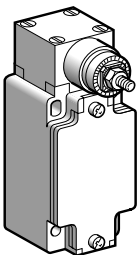
ZCKJ1



ZCKJ11

Bodies with contacts for plunger or rotary head						
Type	With contact block	Scheme	Positive operation (1)	Cable entry	Reference	Weight kg
Fixed bodies						
1 step	2-pole NC + NO snap action (XE2SP2151)		⊕	Pg 13.5	ZCKJ1	0.310
				ISO M20 x 1.5	ZCKJ1H29	0.310
				1/2" NPT	ZCKJ1H7	0.310
	Double-pole 2 CO simultaneous, snap action (XESP2021)		-	Pg 13.5	ZCKJ2	0.310
				ISO M20 x 1.5	ZCKJ2H29	0.310
				1/2" NPT	ZCKJ2H7	0.310
	2-pole NC + NO break before make, slow break (XE2NP2151)		⊕	Pg 13.5	ZCKJ5	0.310
ISO M20 x 1.5				ZCKJ5H29	0.310	
1/2" NPT				ZCKJ5H7	0.310	
2-pole NO + NC make before break, slow break (XE2NP2161)		⊕	Pg 13.5	ZCKJ6	0.310	
			ISO M20 x 1.5	ZCKJ6H29	0.310	
			1/2" NPT	ZCKJ6H7	0.310	
2-pole NC + NC simultaneous, slow break (XE2NP2141)		⊕	Pg 13.5	ZCKJ7	0.310	
			ISO M20 x 1.5	ZCKJ7H29	0.310	
			1/2" NPT	ZCKJ7H7	0.310	
2-pole NO + NO simultaneous, slow break (XE2NP2131)		-	Pg 13.5	ZCKJ8	0.310	
			ISO M20 x 1.5	ZCKJ8H29	0.310	
			1/2" NPT	ZCKJ8H7	0.310	
2-pole NC + NC snap action (XE2SP2141)		⊕	Pg 13.5	ZCKJ9	0.310	
			ISO M20 x 1.5	ZCKJ9H29	0.310	
			1/2" NPT	ZCKJ9H7	0.310	
2 step	Double-pole 2 CO staggered, snap action (XESP2031)		-	Pg 13.5	ZCKJ4	0.310
				ISO M20 x 1.5	ZCKJ4H29	0.310
				1/2" NPT	ZCKJ4H7	0.310
Plug-in bodies						
1 step	Single-pole CO snap action		-	Pg 13.5	ZCKJ11	0.300
				ISO M20 x 1.5	ZCKJ11H29	0.300
				1/2" NPT	ZCKJ11H7	0.300
Double-pole 2 CO simultaneous snap action		-	Pg 13.5	ZCKJ21	0.300	
			ISO M20 x 1.5	ZCKJ21H29	0.300	
			1/2" NPT	ZCKJ21H7	0.300	
2 step	Double-pole 2 CO staggered, snap action		-	Pg 13.5	ZCKJ41	0.300
				ISO M20 x 1.5	ZCKJ41H29	0.300
				1/2" NPT	ZCKJ41H7	0.300
Bodies with contacts With spring return rotary head (without operating lever)						
Type	With contact block	Scheme	Positive operation (1)	Cable entry	Reference	Weight kg
Fixed body						
2 step 1 from the left AND 1 from the right	Double-pole 2 CO staggered, snap action		-	Pg 13.5	ZCKJ4046	0.455
				ISO M20 x 1.5	ZCKJ4046H29	0.455
				1/2" NPT	ZCKJ4046H7	0.455
Plug-in body						
2 step 1 from the left AND 1 from the right	Double-pole 2 CO staggered, snap action		-	Pg 13.5	ZCKJ41046	0.465
				ISO M20 x 1.5	ZCKJ41046H29	0.465
				1/2" NPT	ZCKJ41046H7	0.465

(1) ⊕: head assuring positive opening operation.



ZCKJ4046

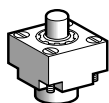
Limit switches

XC Standard range, industrial format EN 50041

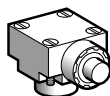
Metal, conforming to GENELEC EN 50041, XCKJ

Fixed or plug-in body

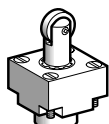
Adaptable sub-assemblies for low temperature applications (-40°C)



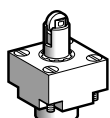
ZCKE616



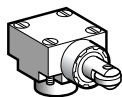
ZCKE636



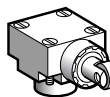
ZCKE626



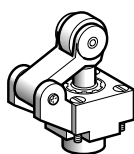
ZCKE676



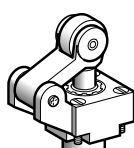
ZCKE646



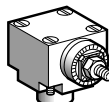
ZCKE656



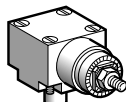
ZCKE216



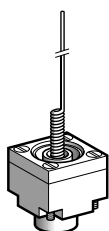
ZCKE236



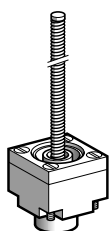
ZCKE056



ZCKE096



ZCKE066



ZCKE086

Plunger heads

Type of operator	Compatible bodies	Maximum actuation speed	Positive operation (1)	Reference	Weight kg	
For actuation on end						
End plunger metal	ZCKJ●, ZCKJ●●	0.5 m/s	⊕	ZCKE616	0.140	
Side plunger metal	ZCKJ●, ZCKJ●●, except ZCKJ4 and J41	0.5 m/s	⊕	ZCKE636	0.200	
For actuation by 30° cam						
Roller plunger steel	ZCKJ●, ZCKJ●●	1 m/s	⊕	ZCKE626	0.155	
End reinforced roller plunger steel	ZCKJ●, ZCKJ●●	1 m/s	⊕	ZCKE676	0.155	
Side roller plunger steel	Horizontal	ZCKJ●, ZCKJ●●, except ZCKJ4 and J41	0.6 m/s	⊕	ZCKE646	0.205
	Vertical	ZCKJ●, ZCKJ●●, except ZCKJ4 and J41	0.6 m/s	⊕	ZCKE656	0.205
Roller lever plunger (1 direction of actuation)	Thermoplastic	ZCKJ●, ZCKJ●●	1.5 m/s	⊕	ZCKE216	0.185
	Steel	ZCKJ●, ZCKJ●●	1.5 m/s	⊕	ZCKE236	0.195

Rotary heads (without operating lever)

Type	Compatible bodies	Maximum actuation speed	Positive operation (1)	Reference	Weight kg
Spring return, for actuation from left AND right or from left OR right (see page 25)	ZCKJ●, ZCKJ●●	1.5 m/s by 30° cam	⊕	ZCKE056	0.165
Stay put, for actuation from left AND right (see page 25)	ZCKJ1, J11 ZCKJ2, J21	0.5 m/s	–	ZCKE096	0.190

Multi-directional heads

Type of operator	Compatible bodies	Maximum actuation speed	Positive operation (1)	Reference	Weight kg
For actuation by any moving part					
“Cat’s whisker”	ZCKJ●, ZCKJ●●, except ZCKJ4 and ZCKJ41	1 m/s in any direction	–	ZCKE066	0.115
Spring rod	ZCKJ●, ZCKJ●●, except ZCKJ4 and ZCKJ41	0.5 m/s in any direction	–	ZCKE086	0.125

(1) ⊕: head assuring positive opening operation.

Limit switches

XC Standard range, industrial format EN 50041

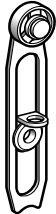
Metal, conforming to CENELEC EN 50041, XCKJ

Fixed or plug-in body

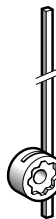
Adaptable sub-assemblies for low temperature applications (- 40°C)



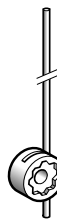
ZCKY1●



ZCKY4●



ZCKY51



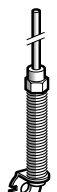
ZCKY5●



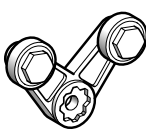
ZCKY59



ZCKY81



ZCKY91



ZCKY71



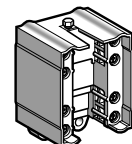
ZCKY61



XE2SP21●1



XE2NP21●1



XES P20●1

Operating levers for rotary heads

Description		Positive operation (1)	Reference	Weight kg
For actuation by 30° cam				
Roller lever (2)	Thermoplastic	⊕	ZCKY11	0.025
	Steel	⊕	ZCKY13	0.035
	Steel, ball bearing mounted	⊕	ZCKY14	0.030
Variable length roller lever (3)	Thermoplastic	-	ZCKY41	0.030
	Steel	-	ZCKY43	0.040

For actuation by any moving part

Square rod (2)	∅ 3 mm steel, L = 125 mm	-	ZCKY51	0.025
Round rod (2)	∅ 3 mm steel, L = 125 mm	-	ZCKY53	0.025
	∅ 3 mm glass fibre, L = 125 mm	-	ZCKY52	0.020
	∅ 6 mm thermoplastic, L = 200 mm	-	ZCKY59	0.030
Spring lever (3)		-	ZCKY81	0.020
Spring-metal rod lever (3)		-	ZCKY91	0.025

For actuation by specific cam (only for operation with head ZCKE096)

Forked arm with rollers (2)	1 track	-	ZCKY71	0.035
	2 track	-	ZCKY61	0.035

2-pole and double-pole contact blocks

Type of contact	Scheme	For body	Positive operation (1)	Reference	Weight kg
NC + NO snap action		ZCKJ1	⊕	XE2SP2151	0.020
NC + NO break before make, slow break		ZCKJ5	⊕	XE2NP2151	0.020
2 CO simultaneous, snap action		ZCKJ2	-	XESP2021	0.045
2 CO staggered, snap action		ZCKJ4	-	XESP2031	0.045
NC + NO make before break, slow break		ZCKJ6	⊕	XE2NP2161	0.020
NC + NC simultaneous, slow break		ZCKJ7	⊕	XE2NP2141	0.020
NO + NO simultaneous, slow break		ZCKJ8	-	XE2NP2131	0.020
NC + NC snap action		ZCKJ9	⊕	XE2SP2141	0.020

(1) ⊕: NC contact with positive opening operation or sub-assembly assuring positive opening operation.

(2) Adjustable throughout 360° in 5° steps, or in 45° steps by reversing the lever or its mounting.

(3) Adjustable throughout 360° in 5° steps.

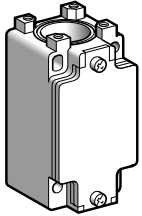
Limit switches

XC Standard range, industrial format EN 50041

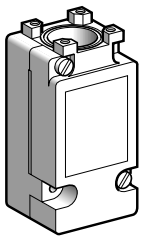
Metal, conforming to GENELEC EN 50041, XCKJ

Fixed or plug-in body

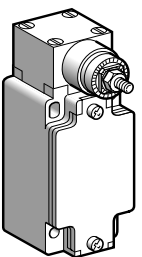
Adaptable sub-assemblies for high temperature applications (+ 120°C)



ZCKJ



ZCKJ15



ZCKJ4045

Bodies with contacts		For plunger or rotary head				
Type	With contact block	Scheme	Positive operation (1)	Cable entry	Reference	Weight kg
Fixed bodies						
1 step	2-pole NC + NO snap action (XE2SP2151)		⊕	Pg 13.5	ZCKJ1	0.310
				ISO M20 x 1.5	ZCKJ1H29	0.310
				1/2" NPT	ZCKJ1H7	0.310
	Double-pole 2 CO simultaneous, snap action (XESP20215)		-	Pg 13.5	ZCKJ25	0.310
				ISO M20 x 1.5	ZCKJ25H29	0.310
				1/2" NPT	ZCKJ25H7	0.310
	2-pole NC + NO break before make, slow break (XE2NP2151)		⊕	Pg 13.5	ZCKJ5	0.310
				ISO M20 x 1.5	ZCKJ5H29	0.310
				1/2" NPT	ZCKJ5H7	0.310
	2-pole NO + NC make before break, slow break (XE2NP2161)		⊕	Pg 13.5	ZCKJ6	0.310
ISO M20 x 1.5				ZCKJ6H29	0.310	
1/2" NPT				ZCKJ6H7	0.310	
2-pole NC + NC simultaneous, slow break (XE2NP2141)		⊕	Pg 13.5	ZCKJ7	0.310	
			ISO M20 x 1.5	ZCKJ7H29	0.310	
			1/2" NPT	ZCKJ7H7	0.310	
2-pole NO + NO simultaneous, slow break (XE2NP2131)		-	Pg 13.5	ZCKJ8	0.310	
			ISO M20 x 1.5	ZCKJ8H29	0.310	
			1/2" NPT	ZCKJ8H7	0.310	
2-pole NC + NC snap action (XE2SP2141)		⊕	Pg 13.5	ZCKJ9	0.310	
			ISO M20 x 1.5	ZCKJ9H29	0.310	
			1/2" NPT	ZCKJ9H7	0.310	
2 step	Double-pole 2 CO staggered, snap action (XESP20315)		-	Pg 13.5	ZCKJ45	0.310
				ISO M20 x 1.5	ZCKJ45H29	0.310
				1/2" NPT	ZCKJ45H7	0.310
Plug-in bodies						
1 step	Single-pole CO snap action		-	Pg 13.5	ZCKJ115	0.300
				ISO M20 x 1.5	ZCKJ115H29	0.300
				1/2" NPT	ZCKJ115H7	0.300
	Double-pole 2 CO simultaneous, snap action		-	Pg 13.5	ZCKJ215	0.300
				ISO M20 x 1.5	ZCKJ215H29	0.300
				1/2" NPT	ZCKJ215H7	0.300
2 step	Double-pole 2 CO staggered, snap action		-	Pg 13.5	ZCKJ415	0.300
				ISO M20 x 1.5	ZCKJ415H29	0.300
				1/2" NPT	ZCKJ415H7	0.300
Bodies with contacts		With spring return rotary head (without operating lever)				
Type	With contact block	Scheme	Positive operation (1)	Cable entry	Reference	Weight kg
Fixed body						
2 step 1 from the left AND 1 from the right	Double-pole 2 CO staggered, snap action		-	Pg 13.5	ZCKJ4045	0.455
				ISO M20 x 1.5	ZCKJ4045H29	0.455
				1/2" NPT	ZCKJ4045H7	0.455
Plug-in body						
2 step 1 from the left AND 1 from the right	Double-pole 2 CO staggered, snap action		-	Pg 13.5	ZCKJ41045	0.465
				ISO M20 x 1.5	ZCKJ41045H29	0.465
				1/2" NPT	ZCKJ41045H7	0.465

(1) ⊕: head assuring positive opening operation.

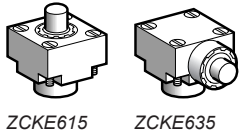
Limit switches

XC Standard range, industrial format EN 50041

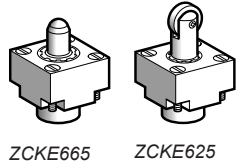
Metal, conforming to CENELEC EN 50041, XCKJ

Fixed or plug-in body

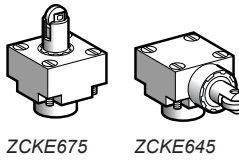
Adaptable sub-assemblies for high temperature applications (+ 120°C)



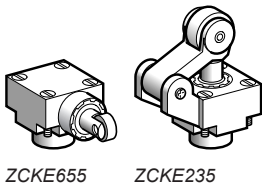
ZCKE615 ZCKE635



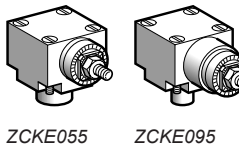
ZCKE665 ZCKE625



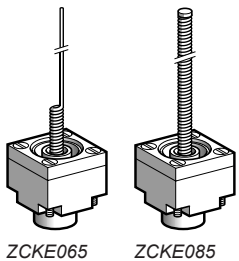
ZCKE675 ZCKE645



ZCKE655 ZCKE235



ZCKE055 ZCKE095



ZCKE065 ZCKE085

Plunger heads

Type of operator		Compatible bodies	Maximum actuation speed	Positive operation (1)	Reference	Weight kg
For actuation on end						
End plunger	Metal	ZCKJ1, J2, J4, ZCKJ115, J215, J415, ZCKJ5, J6, J7, J8, J9	0.5 m/s	⊕	ZCKE615	0.140
Side plunger	Metal	ZCKJ1, J2, ZCKJ115, J215, ZCKJ5, J6, J7, J8, J9	0.5 m/s	⊕	ZCKE635	0.200
For actuation by 30° cam						
End ball bearing plunger	Steel	ZCKJ1, J2, J4, ZCKJ115, J215, J415, ZCKJ5, J6, J7, J8, J9	0.1 m/s	⊕	ZCKE665	0.150
End roller plunger	Steel	ZCKJ1, J2, J4, ZCKJ115, J215, J415, ZCKJ5, J6, J7, J8, J9	1 m/s	⊕	ZCKE625	0.155
End reinforced roller plunger	Steel	ZCKJ1, J2, J4, ZCKJ115, J215, J415, ZCKJ5, J6, J7, J8, J9	1 m/s	⊕	ZCKE675	0.155
Side roller plunger	Steel Horizontal	ZCKJ1, J2, ZCKJ115, J215, ZCKJ5, J6, J7, J8, J9	0.6 m/s	⊕	ZCKE645	0.205
	Steel Vertical	ZCKJ1, J2, ZCKJ115, J215, ZCKJ5, J6, J7, J8, J9	0.6 m/s	⊕	ZCKE655	0.205
Roller lever plunger (1 direction of actuation)	Steel	ZCKJ1, J2, J4, ZCKJ115, J215, J415, ZCKJ5, J6, J7, J8, J9	1.5 m/s	⊕	ZCKE235	0.195
	Thermoplastic	ZCKJ1, J2, J4, ZCKJ115, J215, J415, ZCKJ5, J6, J7, J8, J9	1.5 m/s	⊕	ZCKE215	0.185

Rotary heads (without operating lever)

Type		Compatible bodies	Maximum actuation speed	Positive operation (1)	Reference	Weight kg
Spring return, for actuation from left AND right or from left OR right (see page 25)		ZCKJ1, J2, J4, ZCKJ115, J215, ZCKJ415, ZCKJ5, J6, J7, J8, J9	1.5 m/s by 30° cam	⊕	ZCKE055	0.165
Stay put, actuation from left AND right (see page 25)		ZCKJ1, J2, ZCKJ115, J215	0.5 m/s	–	ZCKE095	0.190

Multi-directional heads

Type of operator		Compatible bodies	Maximum actuation speed	Positive operation (1)	Reference	Weight kg
For actuation by any moving part						
“Cat’s whisker”		ZCKJ1, J2, ZCKJ115, J215, ZCKJ5, J6, J7, J8, J9	1 m/s in any direction	–	ZCKE065	0.115
Spring rod		ZCKJ1, J2, ZCKJ115, J215, ZCKJ5, J6, J7, J8, J9	0.5 m/s in any direction	–	ZCKE085	0.125

(1) ⊕: head assuring positive opening operation.

Limit switches

XC Standard range, industrial format EN 50041

Metal, conforming to GENELEC EN 50041, XCKJ

Fixed or plug-in body

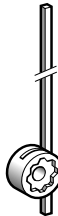
Adaptable sub-assemblies for high temperature applications (+ 120°C)



ZCKY1●



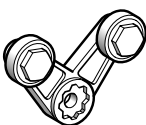
ZCKY43



ZCKY51



ZCKY5●



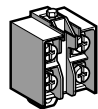
ZCKY715



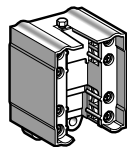
ZCKY615



XE2SP21●1



XE2NP21●1



XESP20●15

Operating levers for rotary heads

Description		Positive operation (1)	Reference	Weight kg
For actuation by 30° cam				
Roller lever (2)	Thermoplastic	⊕	ZCKY115	0.025
	Steel	⊕	ZCKY13	0.035
	Steel, ball bearing mounted	⊕	ZCKY14	0.030
Variable length roller lever (3)	Thermoplastic	–	ZCKY415	0.030
	Steel	–	ZCKY43	0.040
For actuation by any moving part				
Square rod (2)	∅ 3 mm steel, L = 125 mm	–	ZCKY51	0.025
Round rod (2)	∅ 3 mm steel, L = 125 mm	–	ZCKY53	0.025
	∅ 3 mm glass fibre, L = 125 mm	–	ZCKY52	0.020

For actuation by specific cam (only for operation with head ZCKE095)

Forked arm with rollers (2)	1 track	–	ZCKY715	0.035
thermoplastic	2 track	–	ZCKY615	0.035

2-pole and double-pole contact blocks

Type of contact	Scheme	For bodies	Positive operation (1)	Reference	Weight kg
NC + NO snap action		ZCKJ1	⊕	XE2SP2151	0.020
NC + NO break before make, slow break		ZCKJ5	⊖	XE2NP2151	0.020
2 CO simultaneous, snap action		ZCKJ25	–	XESP20215	0.045
2 CO staggered, snap action		ZCKJ45	–	XESP20315	0.045
NC + NO make before break, slow break		ZCKJ6	⊖	XE2NP2161	0.020
NC + NC simultaneous, slow break		ZCKJ7	⊖	XE2NP2141	0.020
NO + NO simultaneous, slow break		ZCKJ8	–	XE2NP2131	0.020
NC + NC snap action		ZCKJ9	⊕	XE2SP2141	0.020

(1) ⊕: NC contact with positive opening operation or sub-assembly assuring positive opening operation.

(2) Adjustable throughout 360° in 5° steps, or in 45° steps by reversing the lever or its mounting.

(3) Adjustable throughout 360° in 5° steps.

Limit switches

XC Standard range

Product reference index

A									
AB1R11	128	XCKJ10511H29	146	XCKN2127P20	104	XCKP2511P16	74	XCMD2124L1	28
		XCKJ10513A	152	XCKN2139P20	105	XCKP2518P16	75	XCMD2124M12	36
		XCKJ10513D	150	XCKN2145P20	105	XCKP2521P16	74	XCMD2145C12	37
D		XCKJ10513H29	146	XCKN2149P20	105	XCKP2527P16	74	XCMD2145L1	29
DE9RA1012	92	XCKJ10541A	152	XCKN2502P20	104	XCKP2528P16	74	XCMD2145M12	37
	106	XCKJ10541D	150	XCKN2503P20	104	XCKP2539P16	75	XCMD21F0C12	36
	107	XCKJ10541H29	146	XCKN2506P20	105	XCKP2545P16	75	XCMD21F0L1	28
	113	XCKJ10559A	152	XCKN2508P20	105	XCKP2549P16	75	XCMD21F0M12	36
DE9RA1212	141	XCKJ10559D	150	XCKN2510P20	104	XCKP25H0P16	75	XCMD21F2C12	36
DE9RA2012	141	XCKJ10559H29	146	XCKN2518P20	105	XCKP25H2P16	75	XCMD21F2L1	28
		XCKJ110511H29	148	XCKN2521P20	104	XCKS101H29	134	XCMD21F2M12	36
X		XCKJ110513H29	148	XCKN2527P20	104	XCKS102H29	134	XCMD21G1C12	36
XALZ09	92	XCKJ110541H29	148	XCKN2539P20	105	XCKS131H29	134	XCMD21G1L1	28
XCDR2102P20	98	XCKJ110559H29	148	XCKN2545P20	105	XCKS133H29	134	XCMD21G1M12	36
XCDR2110P20	98	XCKJ1161H29	148	XCKN2549P20	105	XCKS139H29	134	XCMD2501L1	49
XCDR2118P20	98	XCKJ1167H29	148	XCKN2702P20	104	XCKS141H29	134	XCMD2502AM4	54
XCDR2119P20	98	XCKJ161A	152	XCKN2703P20	104	XCKS143H29	134	XCMD2502L1	28
XCDR2121P20	98	XCKJ161D	150	XCKN2706P20	105	XCKS149H29	134	XCMD2506L1	29
XCDR2127P20	98	XCKJ161H29	146	XCKN2708P20	105	XCKS159H29	134	XCMD2510AM4	54
XCDR2502P20	98	XCKJ167A	152	XCKN2710P20	104	XCKS501H29	134	XCMD2510L1	28
XCDR2510P20	98	XCKJ167D	150	XCKN2718P20	105	XCKS502H29	134	XCMD2511L1	28
XCDR2518P20	98	XCKJ167H29	146	XCKN2721P20	104	XCKS531H29	134	XCMD2515AM4	54
XCDR2519P20	98	XCKJ50511H29	146	XCKN2727P20	104	XCKS533H29	134	XCMD2515L1	29
XCDR2521P20	98	XCKJ50513H29	146	XCKN2739P20	105	XCKS539H29	134	XCMD2516L1	29
XCDR2527P20	98	XCKJ50541H29	146	XCKN2745P20	105	XCKS541H29	134	XCMD2517L1	29
XCKD2101G11	92	XCKJ50559H29	146	XCKN2749P20	105	XCKS543H29	134	XCMD2524L1	28
XCKD2101M12	92	XCKJ561H29	146	XCKN2902P20	104	XCKS549H29	134	XCMD2545L1	29
XCKD2101P16	92	XCKJ567H29	146	XCKN2903P20	104	XCKS559H29	134	XCMD25F0L1	28
XCKD2102M12	84	XCKL102	120	XCKN2906P20	105	XCKT2101G11	92	XCMD25F2L1	28
XCKD2102P16	80	XCKL106	120	XCKN2908P20	105	XCKT2101P16	92	XCMD25G1L1	28
XCKD2106M12	85	XCKL110	120	XCKN2910P20	104	XCKT2102P16	86	XC MN2102L1	70
XCKD2106P16	81	XCKL115	120	XCKN2918P20	105	XCKT2106P16	86	XC MN2103L1	70
XCKD2110M12	84	XCKL121	120	XCKN2921P20	104	XCKT2110P16	86	XC MN2106L1	71
XCKD2110P16	80	XCKL502	120	XCKN2927P20	104	XCKT2111P16	86	XC MN2107L1	71
XCKD2111M12	84	XCKL506	120	XCKN2939P20	105	XCKT2118P16	87	XC MN2110L1	70
XCKD2111P16	80	XCKL510	120	XCKN2945P20	105	XCKT2121P16	86	XC MN2115L1	71
XCKD2118M12	85	XCKL515	120	XCKN2949P20	105	XCKT2139P16	87	XC MN2121L1	70
XCKD2118P16	81	XCKL521	120	XCKP2101G11	92	XCKT2145P16	87	XC MN2145L1	71
XCKD2121M12	84	XCKM102H29	118	XCKP2101M12	92	XCKT21H0P16	87	XC MN2159L1	71
XCKD2121P16	80	XCKM106H29	118	XCKP2101P16	92	XCKT21H2P16	87	XC MN21F0L1	70
XCKD2127M12	84	XCKM110H29	118	XCKP2102M12	78	XCKT2501G11	92	XC MN21F2L1	70
XCKD2127P16	80	XCKM115H29	118	XCKP2102P16	74	XCKT2501P16	92	XC MN21F3L1	70
XCKD2128M12	84	XCKM121H29	118	XCKP2106M12	79	XCKZ09	128	XC MV2102D44	53
XCKD2128P16	80	XCKM502H29	118	XCKP2106P16	75	XCMD2101C12	49	XC MV2102M12	55
XCKD2139M12	85	XCKM506H29	118	XCKP2110M12	78	XCMD2101L1	49	XC MV2110D44	53
XCKD2139P16	81	XCKM510H29	118	XCKP2110P16	74	XCMD2101M12	49	XC MV2110M12	55
XCKD2145M12	85	XCKM515H29	118	XCKP2111M12	78	XCMD2102AM4	54	XC MV2115D44	53
XCKD2145P16	81	XCKM521H29	118	XCKP2111P16	74	XCMD2102C12	36	XC MV2115M12	55
XCKD2149M12	85	XCKML102	122	XCKP2118M12	79	XCMD2102L1	28	XC MV2502D44	53
XCKD2149P16	81	XCKML102H29	122	XCKP2118P16	75	XCMD2102M12	36	XC MV2502M12	55
XCKD21H0M12	85	XCKML110	122	XCKP2121M12	78	XCMD2106C12	37	XC MV2510D44	53
XCKD21H0P16	81	XCKML110H29	122	XCKP2121P16	74	XCMD2106L1	29	XC MV2510M12	55
XCKD21H2M12	85	XCKML115	122	XCKP2127M12	78	XCMD2106M12	37	XC MV2515D44	53
XCKD21H2P16	81	XCKML115H29	122	XCKP2127P16	74	XCMD2110AM4	54	XC MV2515M12	55
XCKD2501G11	92	XCKML121	122	XCKP2128M12	78	XCMD2110C12	36	XC MZ06	49
XCKD2501P16	92	XCKML121H29	122	XCKP2128P16	74	XCMD2110L1	28	XC MZ07	49
XCKD2502P16	80	XCKML502	122	XCKP2139M12	79	XCMD2110M12	36		92
XCKD2506P16	81	XCKML502H29	122	XCKP2139P16	75	XCMD2111C12	36	XC NR2102P20	112
XCKD2510P16	80	XCKML510	122	XCKP2145M12	79	XCMD2111L1	28	XC NR2110P20	112
XCKD2511P16	80	XCKML510H29	122	XCKP2145P16	75	XCMD2111M12	36	XC NR2118P20	112
XCKD2518P16	81	XCKML515	122	XCKP2149M12	79	XCMD2115AM4	54	XC NR2121P20	112
XCKD2521P16	80	XCKML515H29	122	XCKP2149P16	75	XCMD2115C12	37	XC NR2127P20	112
XCKD2527P16	80	XCKML521	122	XCKP21H0M12	79	XCMD2115L1	29	XC NR2502P20	112
XCKD2528P16	80	XCKML521H29	122	XCKP21H0P16	75	XCMD2115M12	37	XC NR2510P20	112
XCKD2539P16	81	XCKN2102P20	104	XCKP21H2M12	79	XCMD2116C12	37	XC NR2518P20	112
XCKD2545P16	81	XCKN2103P20	104	XCKP21H2P16	75	XCMD2116L1	29	XC NR2521P20	112
XCKD2549P16	81	XCKN2106P20	105	XCKP2501G11	92	XCMD2116M12	37	XC NR2527P20	112
XCKD25H0P16	81	XCKN2108P20	105	XCKP2501P16	92	XCMD2117C12	37	XC NR2702P20	112
XCKD25H2P16	81	XCKN2110P20	104	XCKP2502P16	74	XCMD2117L1	29	XC NR2710P20	112
XCKJ10511A	152	XCKN2118P20	105	XCKP2506P16	75	XCMD2117M12	37	XC NR2718P20	112
XCKJ10511D	150	XCKN2121P20	104	XCKP2510P16	74	XCMD2124C12	36	XC NR2721P20	112

Limit switches

XC Standard range

Product reference index

XCNR2727P20	112	XCTR2121P16	100	XZCP1169L10	40	ZCE06	31	ZCEH2	75
XCNR2902P20	112	XCTR2502P16	100	XZCP1169L2	40		39		79
XCNR2910P20	112	XCTR2510P16	100	XZCP1169L5	40		49		81
XCNR2918P20	112	XCTR2518P16	100	XZCP1264L10	40		57		85
XCNR2921P20	112	XCTR2521P16	100		150		58		87
XCNR2927P20	112	XE2NP2131	93	XZCP1264L2	40		60	ZCKD01	120
XCNT2102P16	106		128		150		62		135
XCNT2103P16	106		141	XZCP1264L5	40		75	ZCKD02	118
XCNT2106P16	107		160		150		79		120
XCNT2108P16	107		168	XZCP1764L10	152		81		135
XCNT2110P16	106	XE2NP2141	93	XZCP1764L2	152	ZCE10	92	ZCKD06	118
XCNT2118P16	107		128	XZCP1764L5	152		30		120
XCNT2121P16	106		141	XZCP1771L10	40		38	ZCKD10	118
XCNT2139P16	107		160	XZCP1771L2	40		57		120
XCNT2145P16	107		168	XZCP1771L5	40		58	ZCKD15	118
XCNT2149P16	107	XE2NP2151	93				60		120
XCNT2502P16	106		128	Z			62	ZCKD21	118
XCNT2503P16	106		141	ZCD21	90		74		120
XCNT2506P16	107		160	ZCD25	90		78	ZCKD31	135
XCNT2508P16	107		168	ZCD26	90	ZCE106	80	ZCKD39	135
XCNT2510P16	106	XE2NP2161	93	ZCD27	80		84	ZCKD41	135
XCNT2518P16	107		128		81		86		
XCNT2521P16	106		141		90		57	ZCKD49	135
XCNT2539P16	107		160	ZCD28	90	ZCE11	58	ZCKD59	135
XCNT2545P16	107		168	ZCD29	80		60	ZCKE05	146
XCNT2549P16	107	XE2NP3131	93		81		62	ZCKE055	170
XCNT2702P16	106	XE2NP3141	93		90		60	ZCKE056	167
XCNT2703P16	106	XE2NP3151	93	ZCD29M12	81		57	ZCKE065	170
XCNT2706P16	107	XE2NP3161	93		85		60	ZCKE066	167
XCNT2708P16	107	XE2SP2141	93	ZCD31	90		62	ZCKE085	170
XCNT2710P16	106		128		90		74	ZCKE086	167
XCNT2718P16	107		141	ZCD35	90		78	ZCKE095	170
XCNT2721P16	106		160	ZCD37	80		80	ZCKE096	167
XCNT2739P16	107		168		81	ZCE21	86	ZCKE215	170
XCNT2745P16	107		171		90		74	ZCKE216	167
XCNT2749P16	107	XE2SP2151	93	ZCD39	80		78	ZCKE235	170
XCNT2749P16	107		128		81		80	ZCKE236	167
XCNT2749P16	107		141		90		84	ZCKE61	146
XCNT2749P16	107		160	ZCDEP16	80	ZCE24	86	ZCKE615	170
XCNT2749P16	107		168		81		30	ZCKE616	167
XCNT2749P16	107		171				38	ZCKE625	170
XCNT2749P16	107			ZCE01	31		57	ZCKE626	167
XCNT2749P16	107	XE2SP3151	93		39		60	ZCKE635	170
XCNT2749P16	107	XE3NP2141	93		57		62	ZCKE636	167
XCNT2749P16	107		128		58	ZCE27	74	ZCKE645	170
XCNT2749P16	107		141		60		78	ZCKE646	167
XCNT2749P16	107		160		62		80	ZCKE655	170
XCNT2749P16	107	XE3NP2151	93		74		84	ZCKE656	167
XCNT2749P16	107		128		75	ZCE28	74	ZCKE656	167
XCNT2749P16	107		141		79		78	ZCKE665	170
XCNT2749P16	107		160		80		80	ZCKE665	170
XCNT2749P16	107		168		81		84	ZCKE67	146
XCNT2749P16	107	XE3SP2141	93		85	ZCEF0	30	ZCKE675	170
XCNT2749P16	107		128		87		38	ZCKE676	167
XCNT2749P16	107		141		90		57	ZCKJ01	157
XCNT2749P16	107	XE3SP2151	93	ZCE016	57		58	ZCKJ0121	161
XCNT2749P16	107		128		58		60	ZCKJ0134	161
XCNT2749P16	107		141		60	ZCEF2	62	ZCKJ02	157
XCNT2749P16	107		160		62		30	ZCKJ04	157
XCNT2749P16	107	XESP2021	160		62		38	ZCKJ1	156
XCNT2749P16	107		168	ZCE02	30		57		166
XCNT2749P16	107	XESP20215	171		38		58	ZCKJ11	157
XCNT2749P16	107	XESP2031	160		57	ZCEG1	30	ZCKJ1121	158
XCNT2749P16	107		168		58		38	ZCKJ1121H29	158
XCNT2749P16	107	XESP20315	171		60		57	ZCKJ1134	158
XCNT2749P16	107	XESP3021	141		62		60	ZCKJ1134H29	158
XCNT2749P16	107	XZCP1164L10	40		62		62	ZCKJ115	169
XCNT2749P16	107		150	ZCE026	57	ZCEH0	75	ZCKJ115H29	169
XCNT2749P16	107		159		58		79	ZCKJ115H7	169
XCNT2749P16	107	XZCP1164L2	40		60		81		
XCNT2749P16	107		150		62		85		
XCNT2749P16	107	XZCP1164L5	40	ZCE05	49		87		
XCNT2749P16	107		150		92				
XCNT2749P16	107		159						

Limit switches

XC Standard range

Product reference index

ZCKJ11H29	157	ZCKJ4H7	156	ZCKJD39	146	ZCKS404H29	140	ZCMC21T2	48
	166		166	ZCKJD39H29	146	ZCKS5	140	ZCMC21T5	48
ZCKJ11H7	157	ZCKJ5	156		156	ZCKS5H29	140	ZCMC25L1	48
	166		166	ZCKJD39H7	146	ZCKS6	140	ZCMC25L10	48
ZCKJ120	158		169	ZCKL1	126	ZCKS6H29	140	ZCMC25L2	48
ZCKJ121	158	ZCKJ520	158	ZCKL1H7	126	ZCKS7	140	ZCMC25L3	48
ZCKJ121H29	158	ZCKJ521	158	ZCKL5	126	ZCKS7H29	135	ZCMC25L5	48
ZCKJ134	158	ZCKJ521H29	158	ZCKL5H7	126	ZCKS7H30	140	ZCMC25L7	48
ZCKJ134H29	158	ZCKJ534	158	ZCKL6	126	ZCKS8	140	ZCMC25T06	48
ZCKJ1D	159	ZCKJ534H29	158	ZCKL6H7	126	ZCKS8H29	140	ZCMC29L1	48
ZCKJ1H29	156	ZCKJ5D	159	ZCKL7	120	ZCKS9	140	ZCMC29L10	48
	166	ZCKJ5H29	156		126	ZCKS9H29	135	ZCMC29L2	48
	169		169	ZCKL7H7	126	ZCKS9H30	140	ZCMC29L3	48
ZCKJ1H7	156	ZCKJ5H7	156	ZCKL8	126	ZCKSD31	140	ZCMC29L5	48
	166		166	ZCKL8H7	126	ZCKSD31H29	140	ZCMC29L7	48
	169		169	ZCKLD31	127	ZCKSD35	140	ZCMC37L1	48
ZCKJ2	156	ZCKJ6	156	ZCKLD31H7	127	ZCKSD35H29	140	ZCMC37L2	48
	166		166	ZCKLD35	127	ZCKSD37	140	ZCMC37L5	48
ZCKJ21	157	ZCKJ6D	159	ZCKLD35H7	127	ZCKSD37H29	135	ZCMC39L1	48
	166	ZCKJ6H29	156	ZCKLD37	120		140	ZCMC39L2	48
ZCKJ215	169		166		127	ZCKSD39	140	ZCMC39L5	48
ZCKJ215H29	169	ZCKJ6H7	156	ZCKLD37H7	127	ZCKSD39H29	135	ZCMC4DL1	48
ZCKJ215H7	169		166	ZCKLD39	120		140	ZCMC4DL2	48
ZCKJ21H29	157		169		127	ZCKY11	146	ZCMC4DL5	48
	166	ZCKJ7	156	ZCKLD39H7	127		168	ZCMD21	46
ZCKJ21H7	157		166	ZCKM1	126	ZCKY115	171	ZCMD21AM4	58
	166	ZCKJ7D	159	ZCKM1H29	126	ZCKY13	146	ZCMD21C12	38
ZCKJ25	169	ZCKJ7H29	146	ZCKM1H7	126		171		39
ZCKJ25H29	169		156	ZCKM5	126	ZCKY14	168	ZCMD21L08R12	39
ZCKJ25H7	169		166	ZCKM5H29	126		171	ZCMD21L08U78	39
ZCKJ2H29	156	ZCKJ7H7	156	ZCKM5H7	126	ZCKY41	146	ZCMD21L1	47
	166		166	ZCKM6	126	ZCKY415	171	ZCMD21L2	47
ZCKJ2H7	156		169	ZCKM6H29	126	ZCKY43	168	ZCMD21L5	47
	166	ZCKJ7H7	156	ZCKM6H7	126	ZCKY43	171	ZCMD21M12	38
ZCKJ4	156		166	ZCKM7	126	ZCKY51	168		39
	166		169	ZCKM7H29	118	ZCKY52	168	ZCMD25	46
ZCKJ404	157	ZCKJ8	156	ZCKM7H30	126		171	ZCMD25AM4	58
ZCKJ4045	169		166	ZCKM7H7	126	ZCKY53	168	ZCMD25L1	47
ZCKJ4045H29	169	ZCKJ82A	161	ZCKM8	126		171	ZCMD25L2	47
ZCKJ4045H7	169	ZCKJ8D	159	ZCKM8H29	126	ZCKY59	146	ZCMD25L5	47
ZCKJ4046	166	ZCKJ8H29	156	ZCKM8H7	126		168	ZCMD29	46
ZCKJ4046H29	166		166	ZCKM9	126	ZCKY61	168	ZCMD29AM4	58
ZCKJ4046H7	166		169	ZCKM9H29	118	ZCKY615	171	ZCMD29C12	38
ZCKJ404H29	157	ZCKJ8H7	156	ZCKM9H30	126	ZCKY71	168		39
ZCKJ404H7	157		166	ZCKMD31	127	ZCKY715	171	ZCMD29L1	30
ZCKJ41	157		169	ZCKMD31H29	127	ZCKY81	168		47
	166	ZCKJ9	156	ZCKMD31H7	127	ZCKY91	168	ZCMD29L2	47
ZCKJ4104	157		166	ZCKMD35	127	ZCKZ020	161	ZCMD37	46
ZCKJ41045	169		169	ZCKMD35H29	127	ZCKZ021	161	ZCMD37L1	30
ZCKJ41045H29	169	ZCKJ902	161	ZCKMD35H7	127	ZCKZ034	161		47
ZCKJ41045H7	169	ZCKJ904	161	ZCKMD37	127	ZCMC21E1	48	ZCMD37L2	47
ZCKJ41046	166	ZCKJ906	161	ZCKMD37H29	118	ZCMC21E10	48	ZCMD37L5	47
ZCKJ41046H29	166	ZCKJ906	161	ZCKMD37H30	127	ZCMC21E2	48	ZCMD39	46
ZCKJ41046H7	166	ZCKJ9H29	146	ZCKMD37H7	127	ZCMC21E3	48	ZCMD39L1	30
ZCKJ4104H29	157		156	ZCKMD39	127	ZCMC21E5	48		47
ZCKJ4104H7	157		166	ZCKMD39H29	118	ZCMC21E7	48		47
ZCKJ415	169	ZCKJ9H7	156	ZCKMD39H30	127	ZCMC21L1	48	ZCMD39L2	47
ZCKJ415H29	169		166	ZCKMD39H7	127	ZCMC21L10	48	ZCMD39L5	47
ZCKJ415H7	169		169	ZCKMDS1	140	ZCMC21L2	48	ZCMD41L1	30
ZCKJ41H29	157	ZCKJD31	156	ZCKMDS1H29	140	ZCMC21L3	48		47
	166	ZCKJD31H29	156	ZCKMDS1H7	140	ZCMC21L5	48	ZCMD41L2	47
ZCKJ41H7	157	ZCKJD31H7	156	ZCKMDS35	140	ZCMC21L7	48	ZCMD41L5	47
	166	ZCKJD35	156	ZCKMDS35H29	140	ZCMC21T1	48	ZCMD4D	46
ZCKJ45	169	ZCKJD35H29	156	ZCKMDS37	140				
ZCKJ45H29	169	ZCKJD35H7	156	ZCKMDS37H29	140				
ZCKJ45H7	169	ZCKJD37	156	ZCKMDS37H30	140				
ZCKJ4H29	156	ZCKJD37H29	146	ZCKMDS39	140				
	166	ZCKJD37H30	156	ZCKMDS39H29	140				
		ZCKJD37H7	156	ZCKMDS39H30	140				

ZCMD4DL1	30	ZCT28P16	86
	31		87
	47		91
ZCMD4DL2	47	ZCY15	31
ZCMD4DL5	47		39
ZCMD61	46		57
ZCMD61C12	49		58
ZCMD61M12	49		60
ZCMD65	46		62
ZCMD69	46	ZCY16	31
ZCMD69C12	49		39
ZCMD77	46		57
ZCMD79	46		58
ZCMD81L1	47		60
ZCMD81L2	47		62
ZCMD81L5	47	ZCY17	31
ZCMV21	60		39
ZCMV21D44	57		57
ZCMV21M12	60		58
ZCMV25D44	57		60
ZCMV25M12	60		62
ZCMV29D44	57	ZCY18	75
ZCMV29M12	60		79
ZCMV41L03	62		81
ZCP21	90		85
ZCP21D44	90		87
ZCP25	90	ZCY39	74
ZCP26	90		75
ZCP27	74		79
	75		81
	90		85
ZCP28	90		87
ZCP29	74	ZCY45	31
	75		39
	90		57
ZCP29M12	78		58
	79		60
ZCP31	90		62
ZCP35	90		74
ZCP37	74		75
	75		79
	90		81
ZCP39	74		85
	75		87
	90	ZCY49	74
ZCPED44	90		75
ZCPEP16	74		79
	75		81
ZCT21G11	91		85
ZCT21N12	91		
ZCT21P16	91		
ZCT25G11	91		
ZCT25N12	91		
ZCT25P16	86		
	87		
	91		
ZCT26G11	91		
ZCT26N12	91		
ZCT26P16	86		
	87		
	91		
ZCT27G11	91		
ZCT27N12	91		
ZCT27P16	86		
	87		
	91		
ZCT28G11	91		
ZCT28N12	91		

Schneider Electric Industries SAS

Head Office
35, rue Joseph Monier
F-92500 Rueil-Malmaison
France

www.tesensors.com

The information provided in this documentation contains general descriptions and/or technical characteristics of the performance of the products contained herein. This documentation is not intended as a substitute for and is not to be used for determining suitability or reliability of these products for specific user applications. It is the duty of any such user or integrator to perform the appropriate and complete risk analysis, evaluation and testing of the products with respect to the relevant specific application or use thereof. Neither Schneider Electric nor any of its affiliates or subsidiaries shall be responsible or liable for misuse of the information contained herein.

Design: Schneider Electric
Photos: Schneider Electric

August 2021 - V4.0

DIA4ED2170406EN