

# Beautifully Traditional

## ARCADÉ™

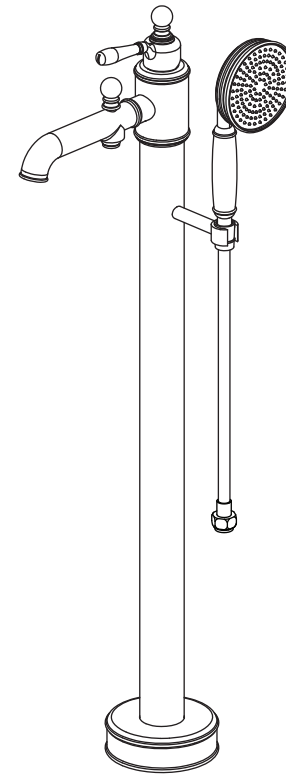
### TECHNICAL DETAILS

For full technical details on all our products,  
please visit our website [www.burlingtonbathrooms.com](http://www.burlingtonbathrooms.com)

Arcade single lever bath filler

- floor mounted inc floor mounting kit

ARC 2020 NKL, ARC 2020 CHR



### INSTALLATION INSTRUCTIONS

## INSTALLATION INSTRUCTIONS

Please read these instructions carefully and keep in a safe place for further reference.

### General Installation Requirement

The installation must comply with regulations of the Local Water Authority as contained in their bylaws. It will be necessary to fit non-return valves on both the hot and cold feeds. It is very important that all pipework is flushed thoroughly after installation to avoid impurities damaging the ceramic discs.

### Minimum/Maximum working pressure

These taps are suitable for high pressure installations. They are fitted with quarter turn ceramic disc headwork which provides a smooth movement. The minimum work pressure is 2 bar. The maximum work pressure is 5 bar. If the mains pressure is over 5 bar, a pressure reducing valve should be fitted.

### Approvals

All taps are manufactured using materials tested and approved under the Water Bylaws Scheme and comply with requirements of European standard EN200 where applicable.

### Preparations and bylaw requirements

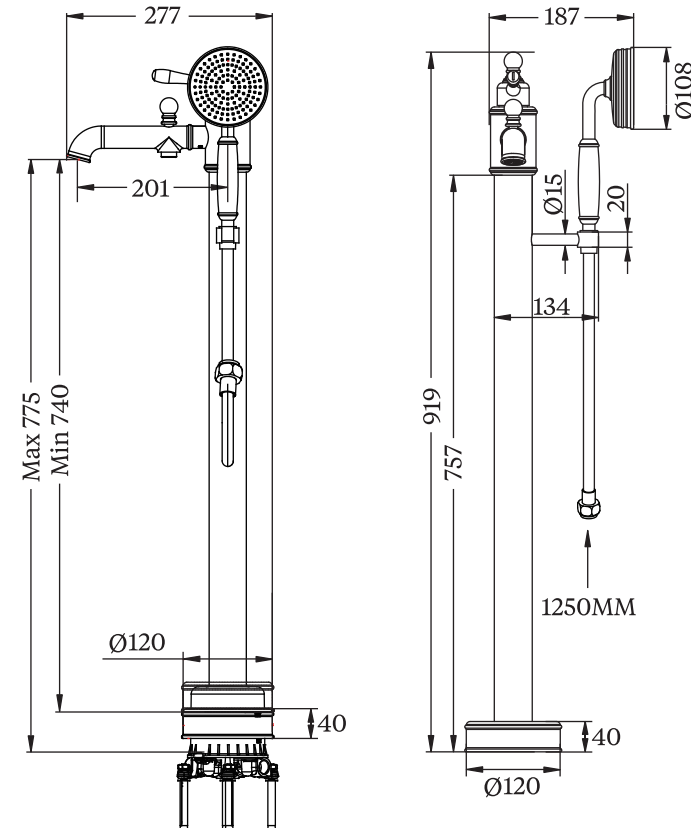
Water Bylaws require that where hot water is supplied from tank and cold from mains, non return valves are fitted on both hot and cold pipes as close as possible to the tap. These are not supplied. Where combination boilers are fitted, it is only necessary to shut off the incoming mains and turn the boiler off. Non return valves are not required.

### Warning

Before installing the new taps, it is essential that you thoroughly flush through the supply pipes in order to remove any remaining swarf, solder or other impurities. Failure to carry out this simple procedure could cause problems or damage to the working of the taps.

These hints are prepared for your guidance; you must exercise due care at all times. We do not accept responsibility for any problems that may occur through incorrect installation.

## DIMENSIONS



NOTE: ALL DIMENSIONS IN MILLIMETRES

INSTALLATION

The floor needs to be prepared by either making a cavity ranging from 54mm to 89mm in depth within a solid floor or putting support battening (suitable to take the weight and fixings) again at same depth within the floor cavity. (Please see Figure 1,2)

Figure 1

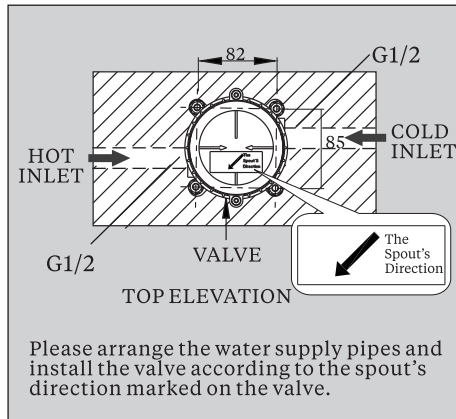
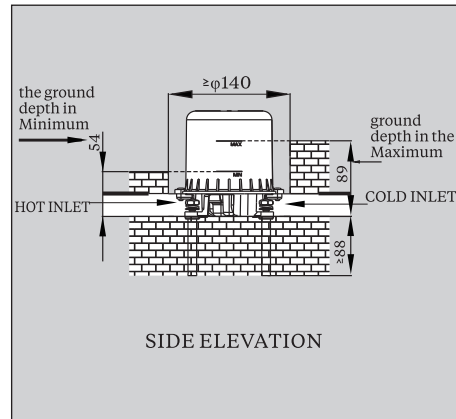


Figure 2



Then the floor mounting can be put in situ, the correct alignment is for one of the inlets to be pointing directly towards the bath. Once achieved secure in place with the floor bolts provided. At this point the water supply pipes can be worked up to and connected to the unit with 1/2 male BSP copper fittings using a proprietary thread sealer (such as PTFE Tape). The pipes should be flushed of all debris etc before final connection is made. Ensure the plastic cover is left in place until testing is complete. This is a safety feature and will provide additional protection while pressure testing for leaks to supplies or valve body is undertaken. (Please see Figure 3,4)

Figure 3

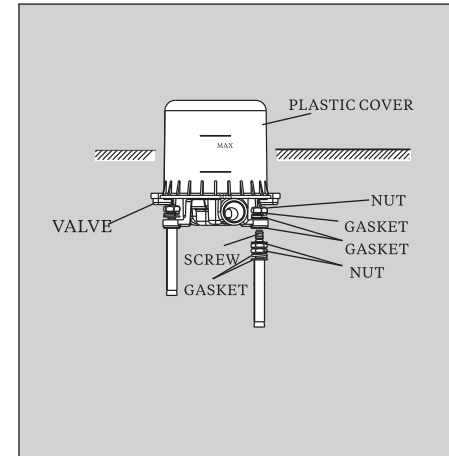
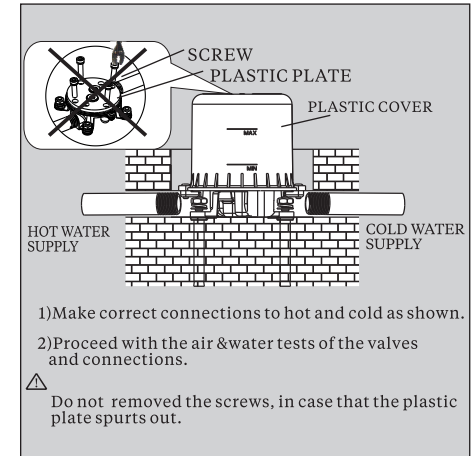
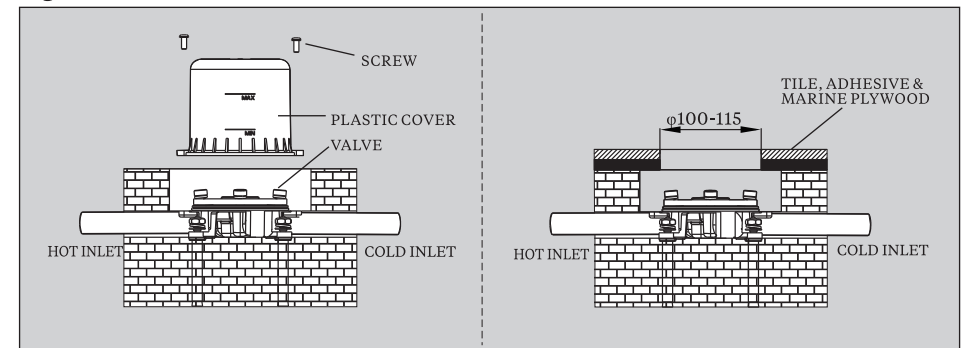


Figure 4



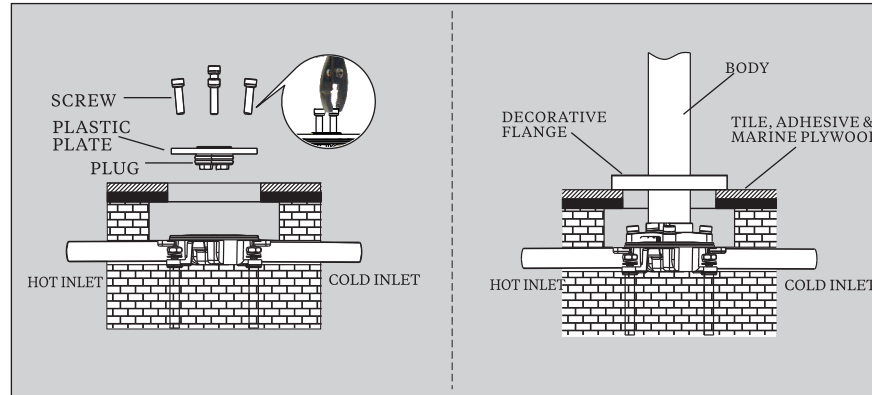
Once the testing is complete the plastic cover can be removed. The flooring can then be fitted to cover the void as shown below. The diameter needs to be circa 100-115mm in order to be covered by the decorative flange. (Please see Figure 5)

Figure 5



You will then see a plastic plate with two plugs / plastic covers are inserted into the outlets at the top of the body. Four screws should be removed (Attention: Remember to keep these 4 screws so as to use in the installation of the faucet body). These were to allow the water tight connections of the supplies to be tested before the main product is fitted. Now testing is complete a screw can be inserted into the hole to allow the plugs to be pulled out with any two of the four pliers'. (Please see Figure 6)

Figure 6



On the main body of the product slide the cover plate up the upstand taking care not to mark the surface.

### INSTALLATION INSTRUCTIONS

Next the two internal copper supply pipes should be pushed down into the corresponding holes of the floor mounting bracket. This is a pre-tested product so care should be taken not to put undue stress on these tails as this could damage the seal within the body of the tap itself. Finally the upstand can be tightened onto the floor mounting using the grub screw. (Please see Figure 7)

Figure 7

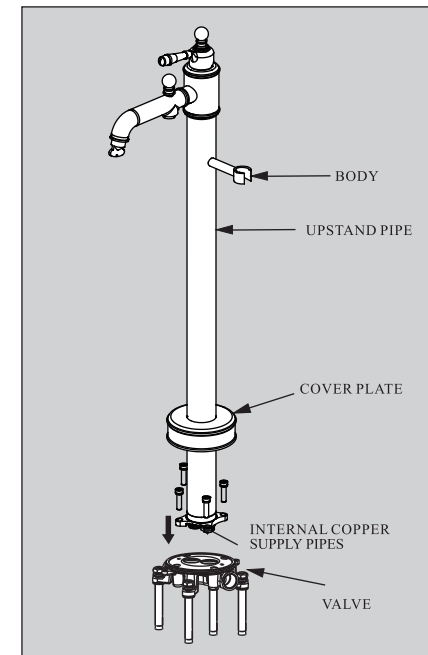
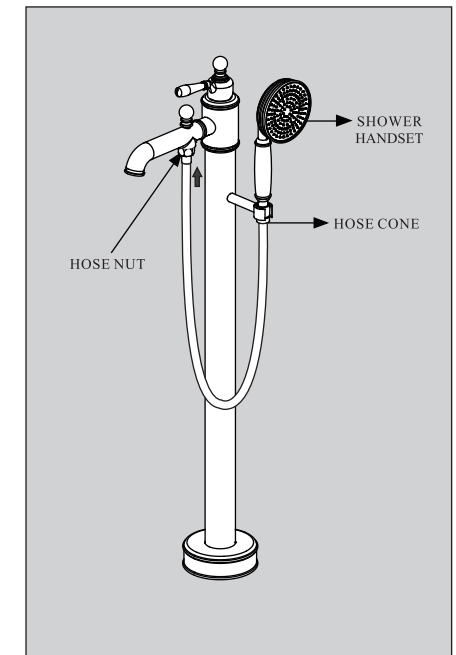


Figure 8



NB. At this point the water can be switched on and the unit tested for leaks. Extra care and time should be taken examining the base of this as it will be concealed once the installation is complete. Finally the handset and hose can now be connected to the unit. (Please see Figure 8)

### ATTENTION

Having first checked all new connections, turn on the mains stop cock, close all taps except the new taps and as the system starts to refill, check for leaks. Once you have satisfied yourself that there are no leaks, switch on the water heating.

### MAINTENANCE

Note : Remember to turn off the water supply before commencing any maintenance.

#### Cleaning the cartridge

The concealed cartridge should give trouble free service, but in the event of any problem, service is straight forward.

#### To remove the cartridge

Unscrew the top of the tap and then use a suitable adjustable spanner (not supplied) to loosen the nut. Take the cartridge out and wash it with clean running water. Make sure any trapped debris has been removed. Dry and lightly grease the seal (only use silicone grease). Refit the cartridge followed by the handle body and lever.

### CLEANING

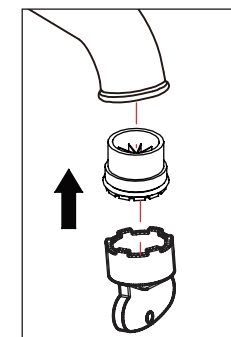
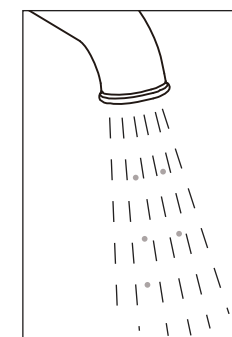
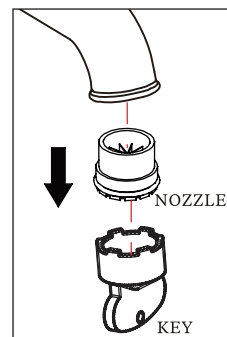
The nickel/chrome plate we use on our taps is very durable, nevertheless care should be taken when cleaning. It should be cleaned only with warm soapy water followed by rinsing with clean water and drying with a soft cloth. All finishes are vulnerable to acid attack and some strong substances such as household cleaners, disinfectants, denture cleaners, hair dyes, wine making and photographic chemicals can cause the surface to go black or peel.

### FILTER CLEANING

Taps are supplied with two different filters : low pressure Flow Straighteners ( factory fitted ) and high pressure Neoperl Aerators ( in the box ). These fit into the front of the tap nozzle.

Before use : unscrew the filter and allow the water to run freely for 5 minutes. Screw the filter back into the nozzle once all impurities have been flushed from the water supply.

Periodically : Using the key provided in the box unscrew the filter from the nozzle and rinse with clean running water. Once all loose debris and dirt has been cleared replace the filter into the nozzle and tighten with the key provided.

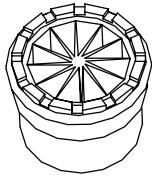


FILTER NOZZLES

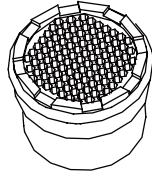
Flow Straightener Filter and Neoperl Aerator Filter

The taps are supplied with factory fitted Flow Straightener filters for low pressure water systems. If the water pressure is high ( above 1 bar ), replace the flow straightener filter with the high pressure Neoperl aerator filter.

Use the Neoperl key supplied in the box to unscrew the Flow Straightener from the nozzle. Replace with the Aerator filter. If you misplace the supplied Neoperl key, use the top of the spare filter to unscrew the filter from the nozzle.



FLOW STRAIGHTENER



AERATOR

THE QUALIFICATIONS

This product should only be fitted by a qualified plumber to the equivalent of UK NVQ (National Vocational Qualification) or SNVQ (Scottish National Vocational Qualification) Level 3. Should the installation be completed by a non-qualified person then the guarantee may be considered invalid.