

UNIVERSAL

Universal Push-Touch Waste and Overflow Drain

UNWO15



SHOWN IN UNIVERSAL PUSH-TOUCH WASTE AND OVERFLOW DRAIN| UNWO15

TECHNICAL DETAILS

Drain Depth Maximum: 2 1/4"
Drain Hole Diameter: 2"
Drain Depth Minimum: 1 3/8"
Height: 1 3/4"
Length: 2 15/16"
Outlet Connection Size: 1 1/2"
Outlet Connection Type: Tailpiece with Slip Fit Gasket

INSPIRATION

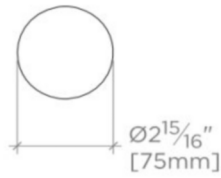
Our Universal collection features timeless designs complementing any of our Waterworks. With a wide range of product, from fittings to accessories, Universal adds exquisite proportion and balance to any environment.

WATERWORKS

UNIVERSAL

UNWO15

Universal Push-Touch Waste and Overflow Drain



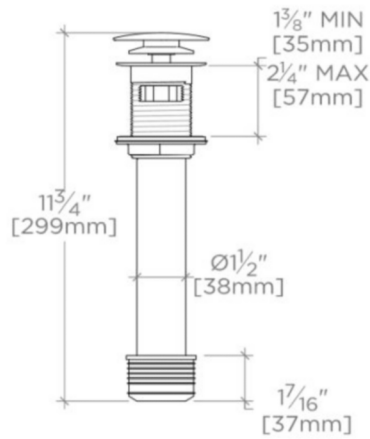
TOP VIEW

SCALE: 2"=1'-0"



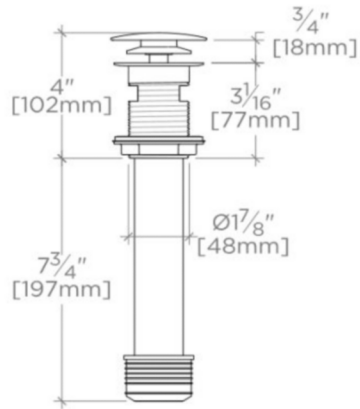
ISO VIEW

SCALE: 2"=1'-0"



FRONT VIEW

SCALE: 2"=1'-0"



SIDE VIEW

SCALE: 2"=1'-0"