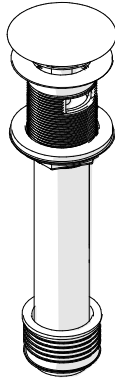


STYLE No. UNWO15



SPECIFICATIONS:

Drain Style: Push-Touch
Drain Diameter: 1-7/8" [48mm]
Drain Depth Maximum: 2-1/4" [57mm]
Drain Depth Minimum: 1-3/8" [35mm]
Primary Material: Brass
Overall Height: 11" [279mm]

IMPORTANT:

- Immediately after receiving the bathtub and removal of packing, you **MUST** inspect the unit for freight damage. Any claims for damage, whether apparent or hidden, must be made to the carrier immediately in order for them to assume all associated costs. Should inspection reveal any defect in the finish, do not install the bath tub. Damage or defect to the finish claimed after the bathtub is installed is excluded from the warranty. The warranty **DOES NOT** cover labor or materials to remove or reinstall the bathtub.
- To ensure this product is installed properly, you must read and follow these guidelines.
- The owner/user of this product must keep this information for future reference.
- All final connections are made below the finished floor. Accessibility below the finished floor is recommended.
- For installations that have access from below the finished floor, trap adapters can be used instead of the slip joint gasket supplied with the Universal Drain Plug Waste and Overflow Drain (sold separately).
- This product must be installed by a professional licensed contractor. Be sure your installation conforms to all federal, state, and local codes.
- Inspect this product to assure it is the correct model and you have all parts required for proper installation. Take all necessary precautions to ensure the tub is protected during installation.
- Ensure the bathtub is properly supported and adequate floor support is provided.

- The use of certain plumber's putty may stain stone or tile surfaces.

FREESTANDING INSTALLATION:

- Installations that have access from below the finished floor, trap adapters can be used instead of the SLIP JOINT GASKETS

ROUGH-IN:

- See Figure - 01 for Steps 1 and 2.
1. Determine the placement of the BATHTUB and mark the floor at the center point of the drain opening then drill a hole through the floor to accommodate the drain.
 2. Rough in a 1-1/2" DWV system (not supplied). Assure all DWV system pipes and fittings are well supported to eliminate the possibility of shifting. Be sure the HUBS are 0 to 3" from the finished floor. If there is no access below the floor, position the HUBS as close to the finished floor as possible for easier installation. See Figure - 01.

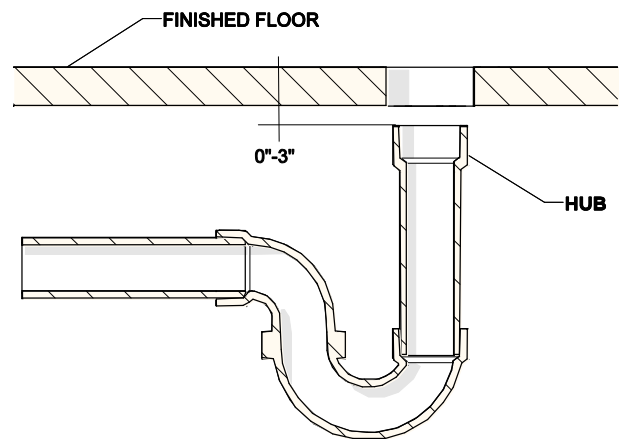


FIGURE - 01

CUTTING TAIL PIECE:

3. Place SLIP JOINT GASKETS in DRAIN HUB.

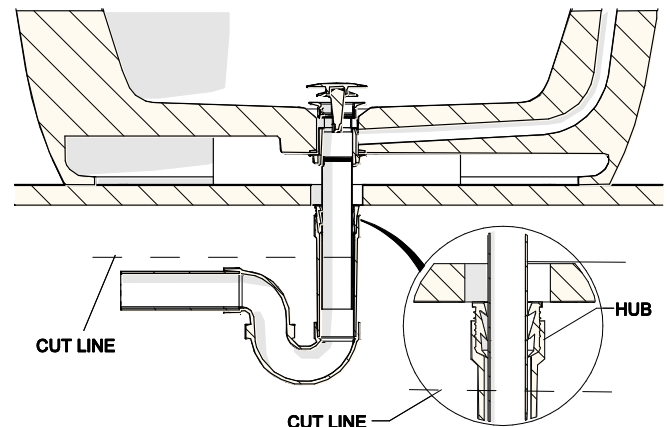


FIGURE - 02

These guidelines have been prepared for the professional contractor to aid in the installation of:
UNIVERSAL Modern Push Touch Tub Drain Style No. UNWO15
All dimensions are based on original specification and are subject to change and variation.
Please consult your Design Associate for current specifications.

WATERWORKS

TUB INSTALLATION:

4. Cover the floor with a pad or other protective material and gently rest the BATHTUB on its side to allow for final drain and overflow installation.

➤ See Figure - 03 for Steps 5 - 8.

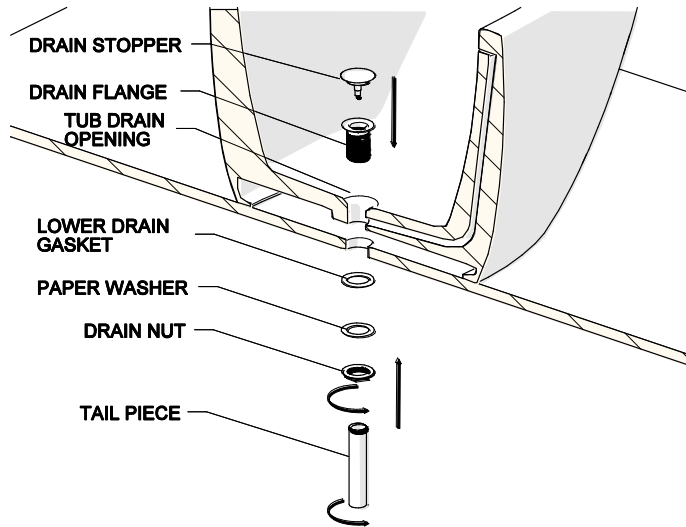


FIGURE - 03

5. Unthread the TAILPIECE from the DRAIN FLANGE, then unthread the DRAIN NUT and remove the LOWER DRAIN GASKET, and the PAPER WASHER.
6. Apply a generous bead of silicone or putty to the UPPER DRAIN GASKET, and set the DRAIN FLANGE in the tub drain opening.
7. Apply a generous bead of silicone or putty to the underside of the DRAIN FLANGE, where the DRAIN FLANGE contacts the TUB DRAIN OPENING.
8. Install the TAILPIECE into the DRAIN FLANGE. Thread sealant is recommended on the TAILPIECE threads.
➤ See Figure - 04 for steps 9 - 11.
9. Apply a generous coating of silicone sealant to both the inside and outside of SLIP JOINT GASKET, and place in the HUB
10. Position the TUB, so the TAILPIECE is positioned over the DRAIN HUB.
11. Lower the TUB so the DRAIN TAILPIECE slips into the SLIP JOINT GASKETS.
NOTE: The silicone will first act as a lubricant then, acts as a seal when it cures.
12. Verify the BATHTUB is level. If needed, add shims beneath the base.

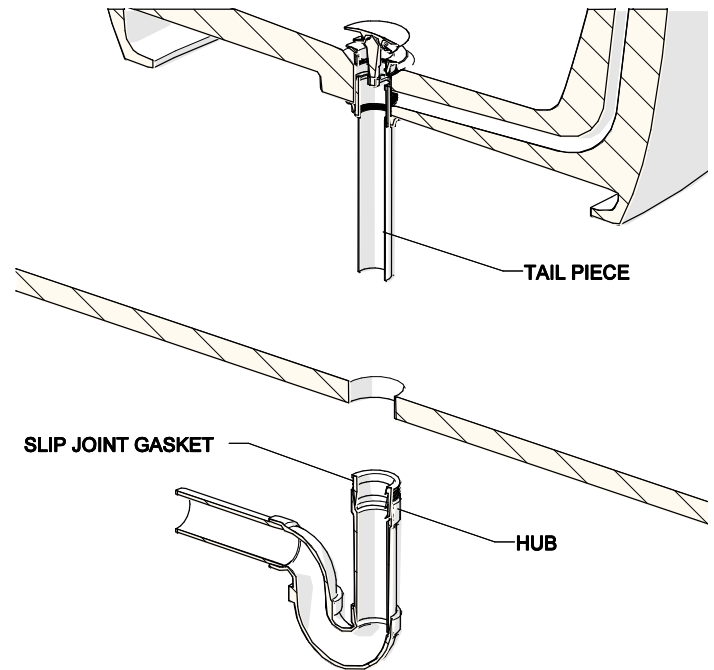


FIGURE - 04

FINISH AND INSPECT THE INSTALLATION:

13. Fill the BATHTUB with water to the point where water enters the overflow opening. Drain the BATHTUB while inspecting all connections above and below the flooring for leaks.
➤ If further assistance is required, please contact Product Support at 1-800-927-2120 Monday through Friday, 8am - 7pm EST.

WARNING: The following basic safety precautions should always be followed when using your bathtub.

- Caution should always be exercised when entering or leaving the bathtub.
- **DANGER:** To reduce the risk of injury, do not permit children or persons with a disability to use the bathtub without close supervision.
- Keep all electrical appliances such as radios and hairdryers a safe distance from the bathtub.
- Do not use the bathtub when sleepy or drowsy, under the influence of alcohol or prescription medications or when overheated.