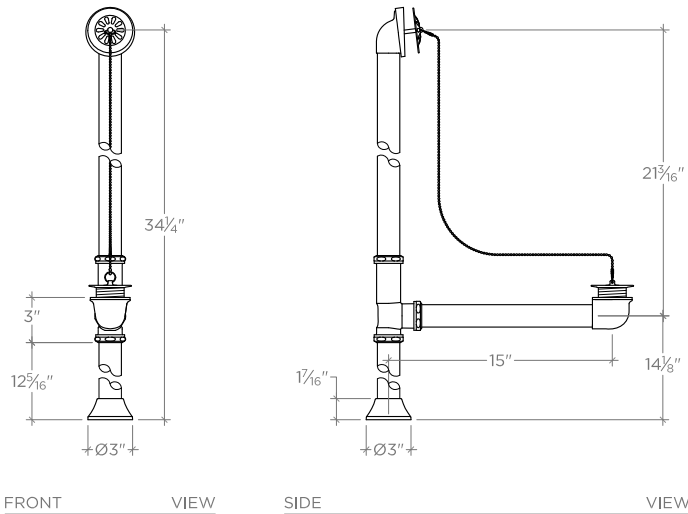


**FDWO76**



Immediately after receiving the waste and overflow, you **MUST** inspect the unit for freight damage. Any claims for damage, whether apparent or hidden, must be made to the carrier immediately in order for them to assume all associated costs. If inspection reveals any defect in the finish, do not install the drain. Damage or defect to the finish claimed after the drain is installed is excluded from the warranty. The warranty **DOES NOT** cover labor or materials to remove or reinstall the bathtub.

**IMPORTANT:**

- To ensure this product is installed properly, you must read and follow these guidelines.
- The owner/user of this product must keep this information for future reference.
- Be sure your installation conforms to all applicable codes.
- This product must be installed by a professional contractor.
- Refer to the specification and assembly drawings attached.
- Inspect this product to assure it is the correct model and you have all parts required for proper installation.
- Take all necessary precautions to ensure the tub is protected during installation.

**DRAIN AND OVERFLOW ROUGH-IN:**

1. Dry fit the drain assembly:
  - a. Place the drain flange (14) into the drain opening of the tub.
  - b. Position the shoe (16) under the drain opening and place a rubber washer (15) between the shoe and the drain opening. Secure the shoe to the drain by threading the drain into the shoe.
2. Dry fit the overflow assembly:
  - a. Depending on the tub being installed, either 1 flat overflow gasket (8) or 1 wedge gasket (7) may be used.
  - b. Place the proper overflow gasket on the overflow shoe (6) and then hold the pipe flush against the exterior wall of the tub. Secure the overflow cover (9) to the overflow shoe using the screw (10) provided.
3. Connect the overflow to the drain using the tee (5) and then make sure the overflow pipe is plumb and there are no gaps between the overflow gasket and tub wall. Cut the overflow or drain pipe as needed.
4. Thread the tail piece (3) into the tee.
5. Determine the placement of the tub and then mark the floor where the tail piece will pass through
6. Drill a hole through the floor to accommodate the tail piece.
7. Rough in  $\text{Ø}1\frac{1}{2}$ " drain piping and assure all pipe and fittings are well supported to eliminate the possibility of shifting.

**DRAIN AND OVERFLOW INSTALLATION:**

8. Clean the drain hole area in the bathtub in preparation of setting the drain the area should be dry and free of any debris and oil.
9. Apply a bead of clear adhesive silicone around the drain flange (14) and then insert it into the drain opening.
10. Apply a generous bead of silicone to the drain flange and surrounding area on the underside of the tub. Secure the drain shoe (16) using the rubber washer provided (15). Make sure to fully tighten down the drain flange.
11. Verify the proper gasket for use between the tub wall and overflow shoe is used. Secure the overflow cover to the overflow shoe using the screw provided (10).

These guidelines have been prepared for the professional contractor to aid in the installation of: **UNIVERSAL DRAIN PLUG WASTE AND OVERFLOW (FDWO76)**  
 All dimensions are based on origin specification and are subject to change and variation. Please consult your Design Associate for current specifications.

**WATERWORKS**

12. Connect the overflow to the drain using the tee (5) with one compression nut (2) and one nylon compression ring (4) on each waste tube and overflow tube. Make sure the hardware is installed properly
13. Slide the escutcheon (1) onto the tail piece (3), apply pipe thread sealant and then firmly thread it into the tee. Cut the tailpiece as needed. Position the tub so the tail piece passes through the hole in the floor.
14. Complete final drain connections to the trap adapter (not included) and tighten the compression nuts.

**FINAL INSPECTION:**

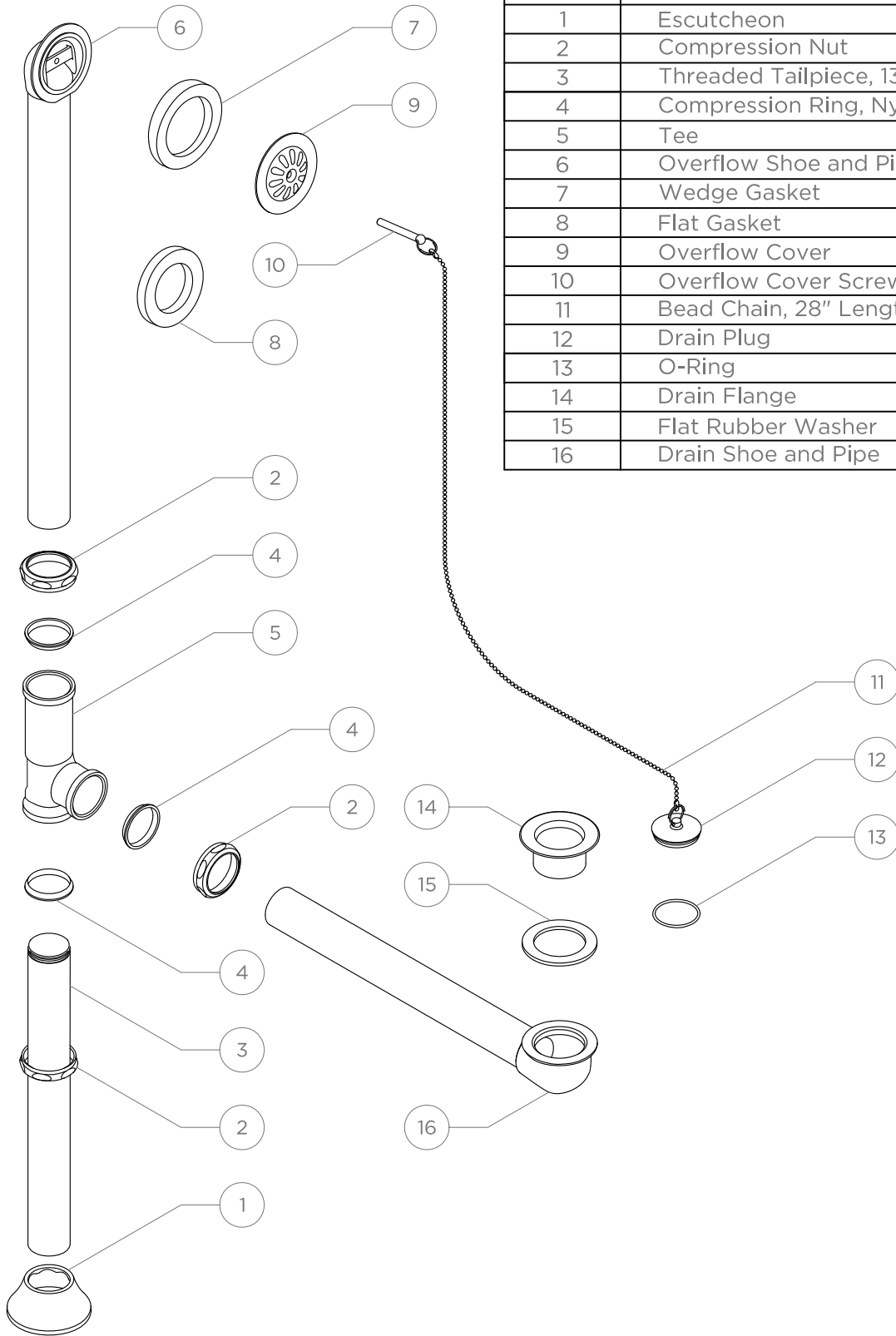
15. Fill the tub with water to the point where water enters the overflow opening. Drain the tub while inspecting all connections above and below the flooring for leaks
  16. Cover the bathtub surface with a bathtub liner or other form of protections until construction is completed.
- If further assistance is required, please contact Product Support at 1-800-927-2120 (8am-7pm EST.)

**WARNING: The following basic safety precautions should always be followed when using your bathtub.**

- Caution should always be exercised when entering or leaving the bath tub.
- DANGER: To reduce the risk of injury, do not permit children or persons with disability to use the bathtub without close supervision.
- Keep all electrical appliances such as radios and hairdryers at a safe distance from the tub.
- Do not use the bathtub when sleepy or drowsy, under the influence of alcohol or prescription medications or when overheated.

These guidelines have been prepared for the professional contractor to aid in the installation of: **UNIVERSAL DRAIN PLUG WASTE AND OVERFLOW (FDWO76)**  
 All dimensions are based on origin specification and are subject to change and variation. Please consult your Design Associate for current specifications.

**WATERWORKS**



ITEM NO.	DESCRIPTION	QTY.
1	Escutcheon	1
2	Compression Nut	3
3	Threaded Tailpiece, 13" Length	1
4	Compression Ring, Nylon	3
5	Tee	1
6	Overflow Shoe and Pipe	1
7	Wedge Gasket	1
8	Flat Gasket	1
9	Overflow Cover	1
10	Overflow Cover Screw	1
11	Bead Chain, 28" Length	1
12	Drain Plug	1
13	O-Ring	1
14	Drain Flange	1
15	Flat Rubber Washer	1
16	Drain Shoe and Pipe	1

These guidelines have been prepared for the professional contractor to aid in the installation of: **UNIVERSAL DRAIN PLUG WASTE AND OVERFLOW (FDWO76)**  
 All dimensions are based on origin specification and are subject to change and variation. Please consult your Design Associate for current specifications.

**WATERWORKS**