



**DANIEL**

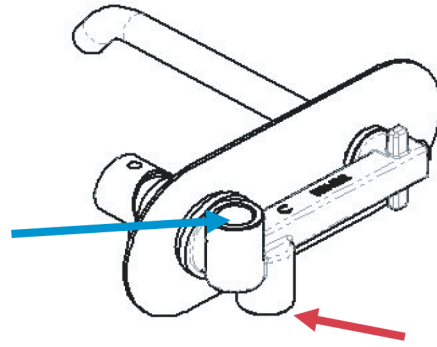
SCHEDA TECNICA TECHNICAL FEATURES

ART. COD.

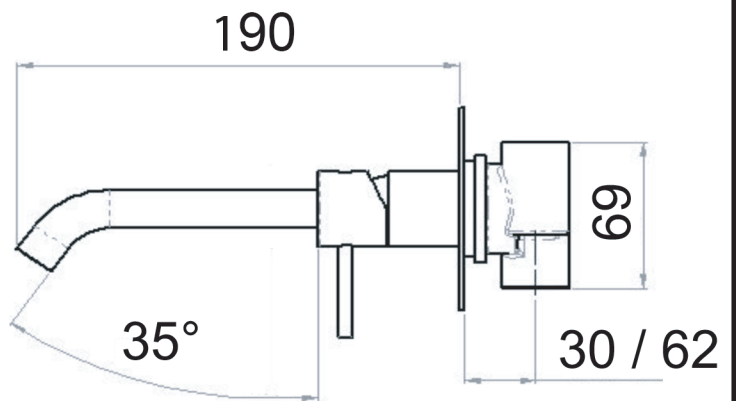
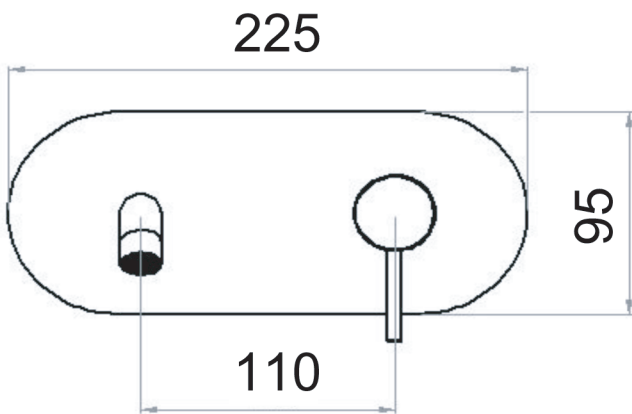
**TK632L**



ACQUA  
FREDDA  
COLD  
WATER  
G1/2



ACQUA  
CALDA  
HOT  
WATER  
G1/2



**MATERIALI / MATERIALS**

OTTONE CROMATO / CHROME PLATED BRASS

**CROMATURA / CHROME PLATING**

UNI EN 248

Via Leonardo da Vinci 53 20062 Cassano d'Adda (MI) Italy Tel. +39-0363 62651  
info@daniel.it www.daniel.it