

WATERWORKS

UNIVERSAL

UNWS28

Universal Metal Round Four Leg Single Washstand 28" x 20" x 31 1/2"



SHOWN IN UNIVERSAL FOUR LEG SINGLE WASHSTAND PACKAGED WITH SINK AND SLAB TOP 30" X 21" X 32 3/4" UNWS04

TECHNICAL DETAILS

Adjustable Levelers / Feet: Y
Diameter of Legs / Tubes: 1 1/4"
Horizontal Rail Material: Metal
Depth / Width: 20"
Height: 31 1/2"
Installation Type: Freestanding
Leg Material: Metal
Length: 28"
Number of Holes: Zero Holes
Number of Legs: Four
Outer Rim Shape: Rectangular
Primary Material: 20 SWG Brass
Rough-in Supply Height Recommended: 21"
Rough-in Waste Height Recommended: 19"
Sink Visibility: Y
Storage Capacity: 0.0 cubic_foot
Suggested Application: Bath
Top Attachment Method: The top is attached to the washstand by fastening 3 screws on the top flange of each leg, making sure to use the anchors provided.

INSPIRATION

Our Universal collection features timeless designs complementing any of our Waterworks. With a wide range of product, from fittings to accessories, Universal adds exquisite proportion and balance to any environment.

CODES & STANDARDS

Code # WWWS28:

PRODUCT FEATURES

Crafted in England this washstand draws on a historic form from the early 1900's and an updated aesthetic choice. This item is stocked in a Chrome, Nickel and Matte Nickel finishes and additional made-to-order finish options are available in 12 weeks from purchase

Made of brass materials, dimensions can be adjusted as part of our made-to-order program.

A distinct category and unique to the bath, washstands and pedestals breathe a sense of openness and light into the room.

PRODUCT (NOTES)

Slab countertop and lavatory sink sold separately.

WATERWORKS

UNIVERSAL

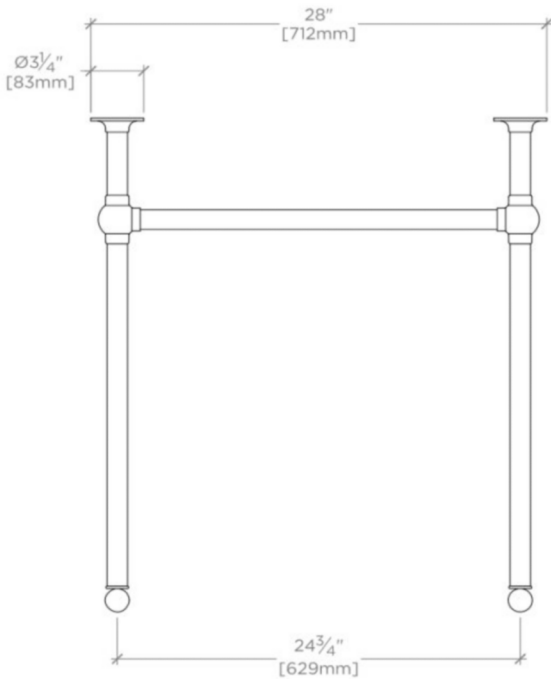
UNWS28

Universal Metal Round Four Leg Single Washstand 28" x 20" x 31 1/2"



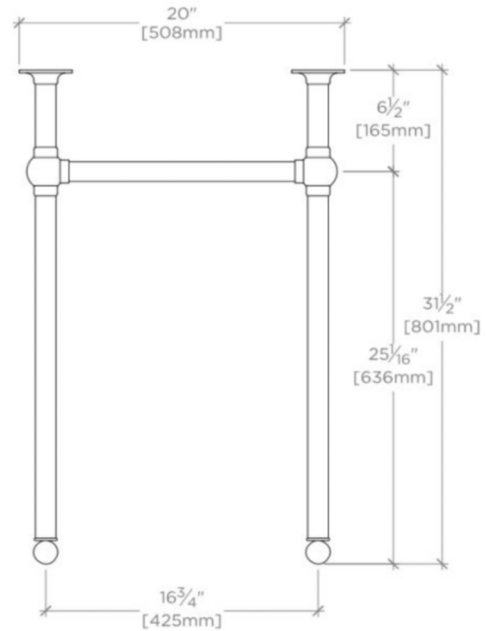
TOP VIEW

SCALE: 1"=1'-0"



FRONT VIEW

SCALE: 1"=1'-0"



SIDE VIEW

SCALE: 1"=1'-0"