

UNIVERSAL

UNWS33

Universal Metal Round Three Leg Double Washstand 56" x 20" x 31 1/2"



SHOWN IN UNIVERSAL METAL ROUND THREE LEG DOUBLE WASHSTAND 56" X 19 1/2" X 31 1/2" UNWS33

TECHNICAL DETAILS

Diameter of Legs / Tubes: 1.26"
Horizontal Rail Material: Metal
Depth / Width: 19 1/2"
Height: 31 1/2"
Installation Type: Wall Mounted
Leg Material: Metal
Length: 56"
Number of Holes: Zero Holes
Number of Legs: Three
Outer Rim Shape: Rectangular
Primary Material: 20 SWG Brass
Rough-in Supply Height Recommended: 21"
Rough-in Waste Height Recommended: 19"
Sink Visibility: Y
Storage Capacity: 0.0 cubic_foot
Suggested Application: Bath

INSPIRATION

Our Universal collection features timeless designs complementing any of our Waterworks. With a wide range of product, from fittings to accessories, Universal adds exquisite proportion and balance to any environment.

CODES & STANDARDS

Code # WWWS33:

PRODUCT FEATURES

Crafted in England this washstand draws on a historic form from the early 1900's and an updated aesthetic choice.

Made of brass materials, dimensions can be adjusted as part of our made-to-order program.

Slab countertop and sink sold separately from washstand. Custom options available.

This item requires an additional purchase of QTY 1, UNSS91 Universal Slab Support 1 1/4" x 21" x 1 1/4"

PRODUCT (NOTES)

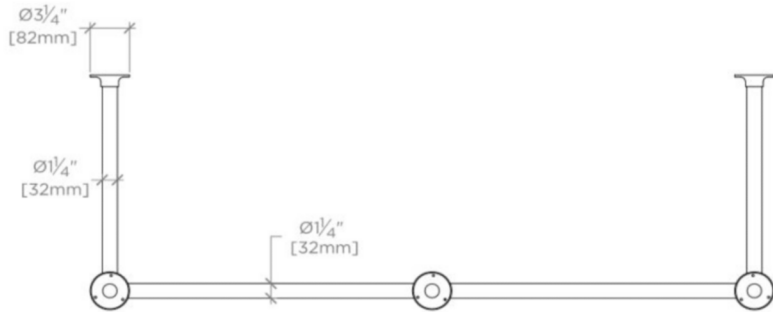
Slab countertop and lavatory sink sold separately. Order with a Universal Slab Support, item UNSS91.

WATERWORKS

UNIVERSAL

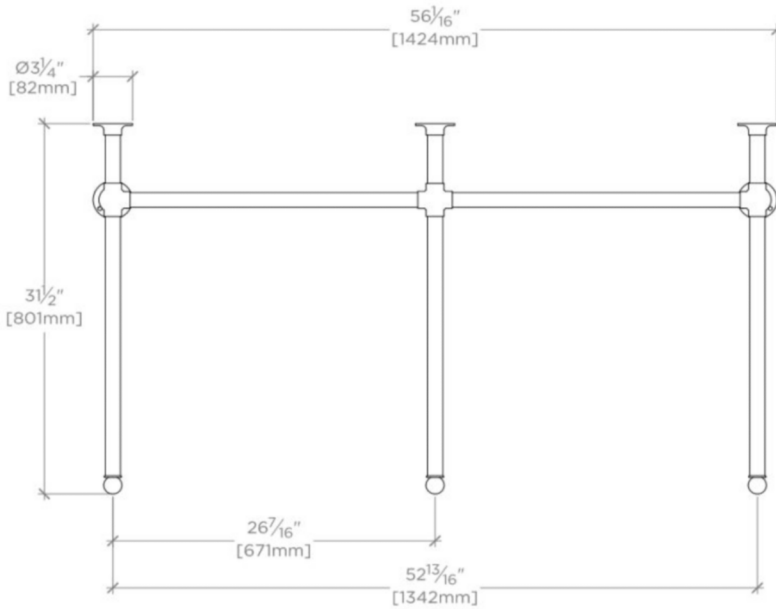
UNWS33

Universal Metal Round Three Leg Double Washstand 56" x 20" x 31 1/2"



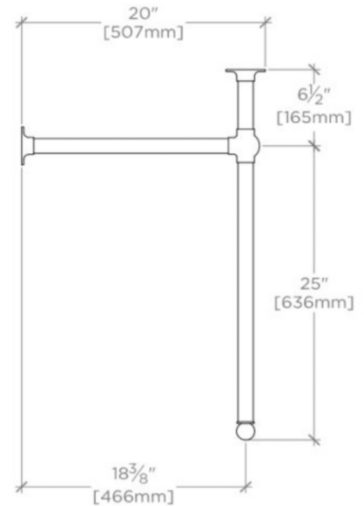
TOP VIEW

SCALE: $3/4"=1'-0"$



FRONT VIEW

SCALE: $3/4"=1'-0"$



SIDE VIEW

SCALE: $3/4"=1'-0"$