

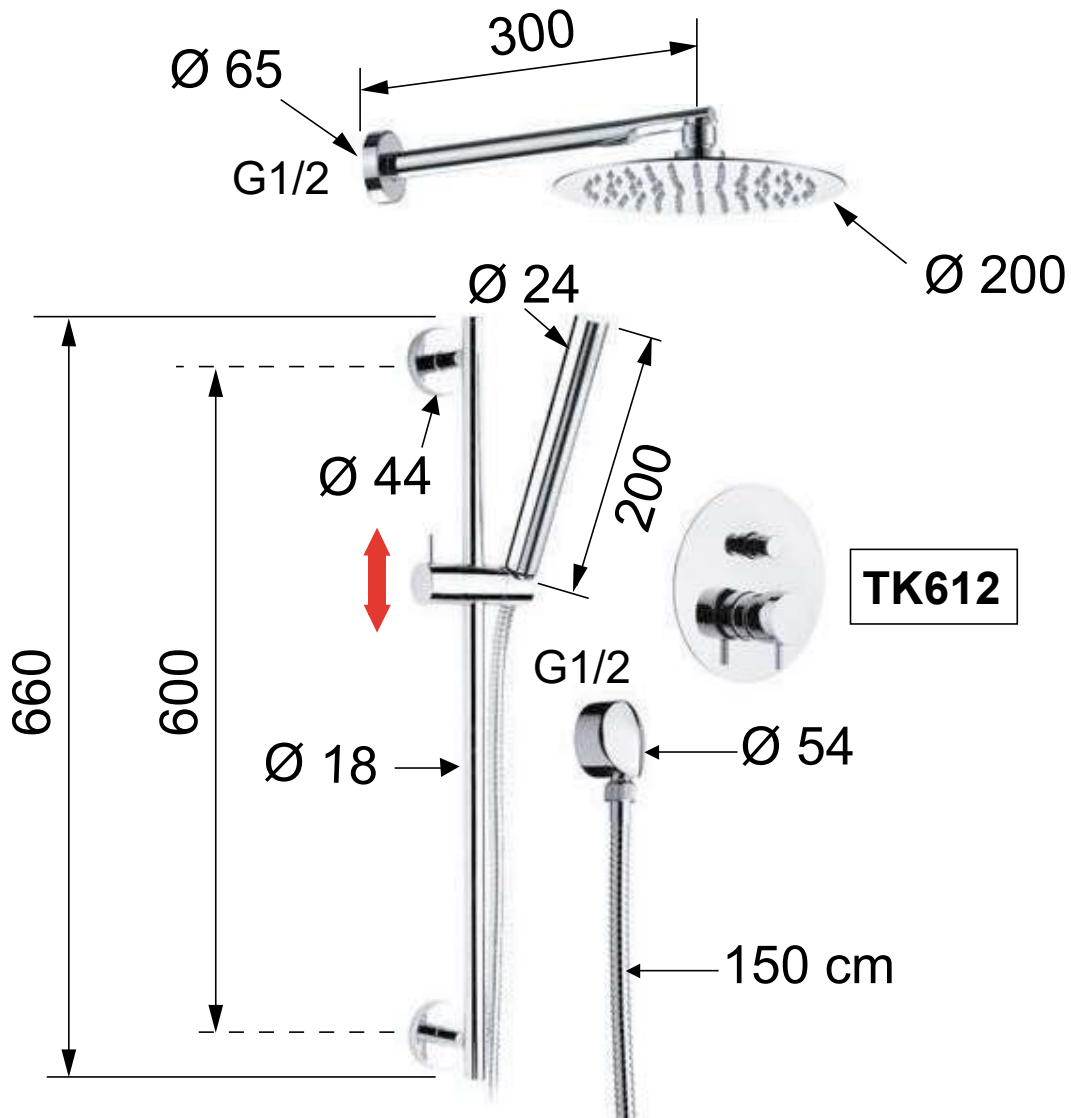


DANIEL

SCHEDA TECNICA TECHNICAL FEATURES

ART. COD.

TK614Z



MATERIALI / MATERIALS

OTTONE CROMATO / CHROME PLATED BRASS

ABS CROMATO / CHROME PLATED ABS

CROMATURA / CHROME PLATING

UNI EN 248