

**NOJA 1 drawer + 1 space - 600 / 800 / 1000 / 1200 (2x600)**
**MATERIALS**

- **Front panels (Thickness=16mm):**
  - **Gloss White:** Laminated particle board lacquered with UV high gloss polyester paint.
  - **Matte gray, Eternity oak, Caledonia oak:** Laminated particle board.

- **Side panels (Thickness=16mm):**
  - **Gloss White::** Laminated particle board lacquered with UV high gloss polyester paint.
  - **Matte gray, Eternity oak, Caledonia oak:** Laminated particle board.

- **Internal structure panels (Thickness=16mm)::** Laminated particle board.

- **Drawer:** Wooden drawer with concealed partial extraction runner with soft closing and height adjustment. Maximum load capacity. 25 Kg.

\* All the panels used in the manufacture of this unit are classed as E-1 grade with low level of formaldehyde content.

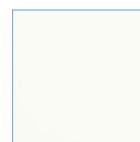
\*Trim varies according to design: PVC, ABS. (edged with PUR glue)


**Exterior finishes**

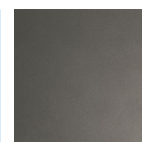

Caledonia oak



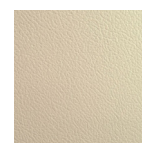
Eternity oak



Gloss White



Matte grey

**Interior finishes**


Nude

**METAL FITTINGS**

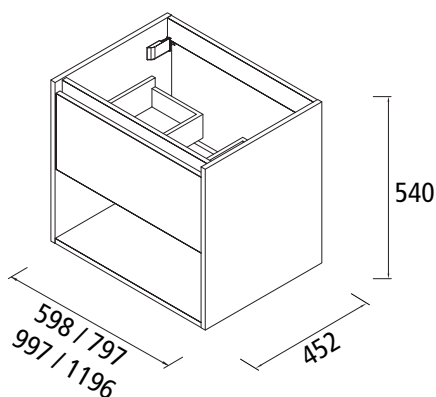
- **Cabinet hangers:** Highly resistant hanger with two separate adjustments certified under DIN 68840 (equivalent to 130 Kg end loading capacity per piece).

**Vanity dimensions and package weight**

	600	800	1000
Length (mm)	645	845	1045
Depth (mm)	500		
Height (mm)	620		
Net weight Kg.	16,9	20,2	23,5
Gross mass Kg.	18,9	22,4	26,2

**Wash basins available**

- 600 / 800 / 1000: Iberia
- 1200: Iberia double

**Unit dimensions and Free space for water pipe**


The 1196 model is made of 2 units of 598

