



Dornbracht

Concealed Rough Parts Installation Guide

Installation examples for
Dornbracht Shower Solutions

Contents

The Dornbracht concealed rough parts enable unique design solutions and are easy to install and align.

Create individual solutions and be inspired by our examples.

[Installation example overview →](#)

The xGrid mounting rail enables the perfect alignment and guarantees an optimal result.

Both the horizontal and the vertical alignment is compatible with all series.

[xGrid Installation track →](#)

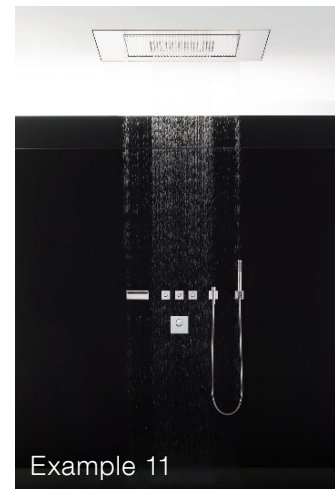
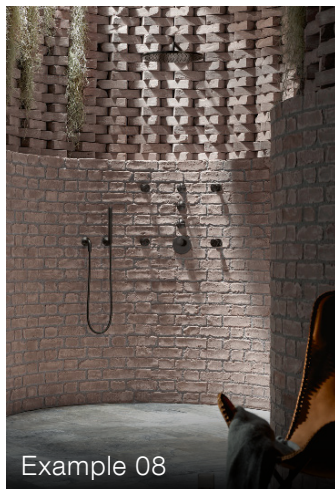
Additional information:

[Planning information →](#)

[Please visit \[dornbracht.com\]\(https://dornbracht.com\) for more technical information and fact sheets →](#)



Installation example overview



Note: All dimensions are based on the assumption of a 1.75 m tall user. They can be varied and adapted to other body sizes if required.

You will find further inspiration in the Dornbracht Shower Solutions or at dornbracht.com.

[Contents](#) →

Example 01



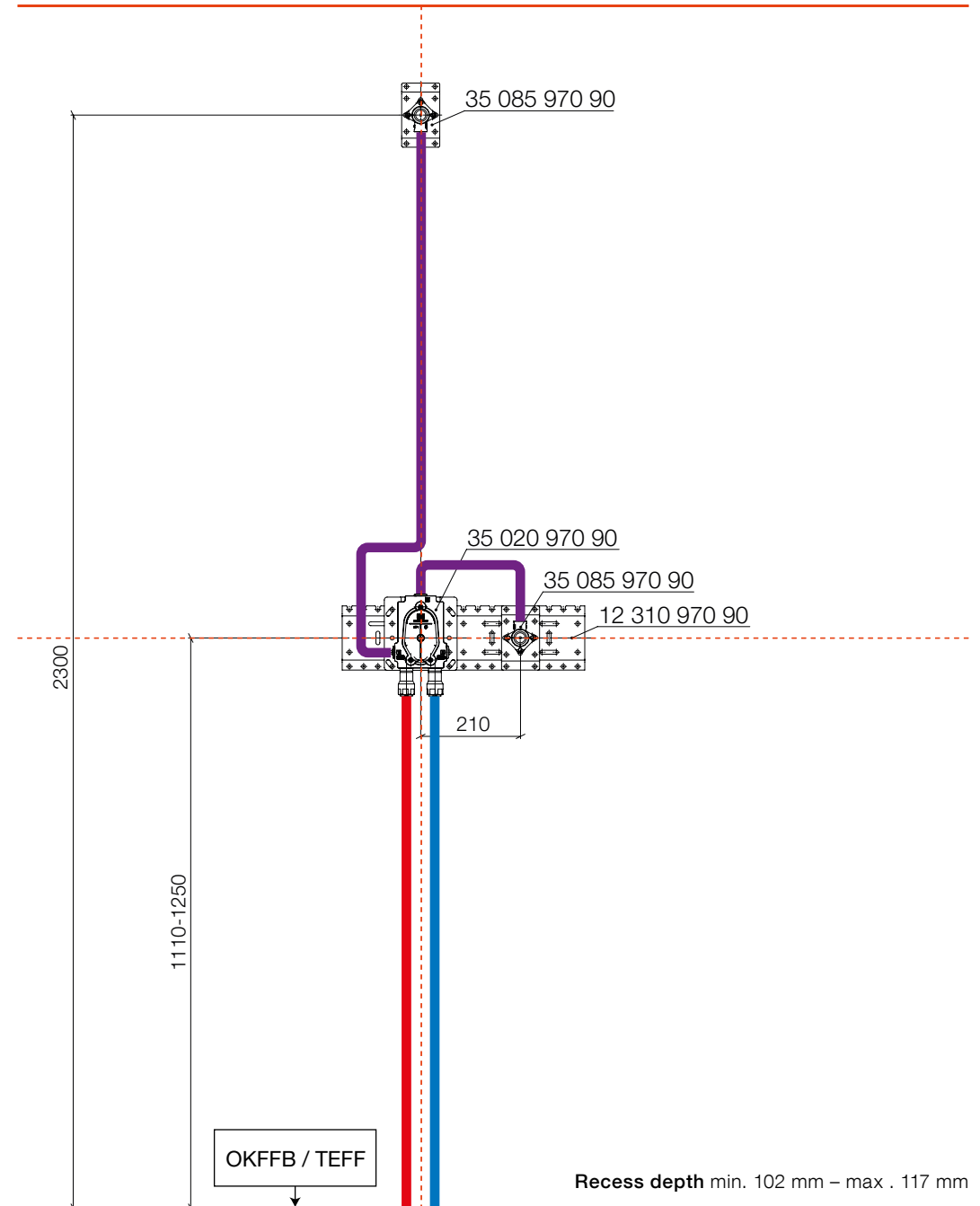
Headshower solution
fits Meta

Concealed articles

- 1x 12 310 970 90 xGrid Installation track 510 mm
- 1x 12 320 970 90 xGrid Installation track 990 mm
- 2x 35 020 970 90 Concealed single-lever mixer
- 2x 35 085 970 90 Concealed wall elbow

Exposed trim parts →

Installation example overview →



Example 01



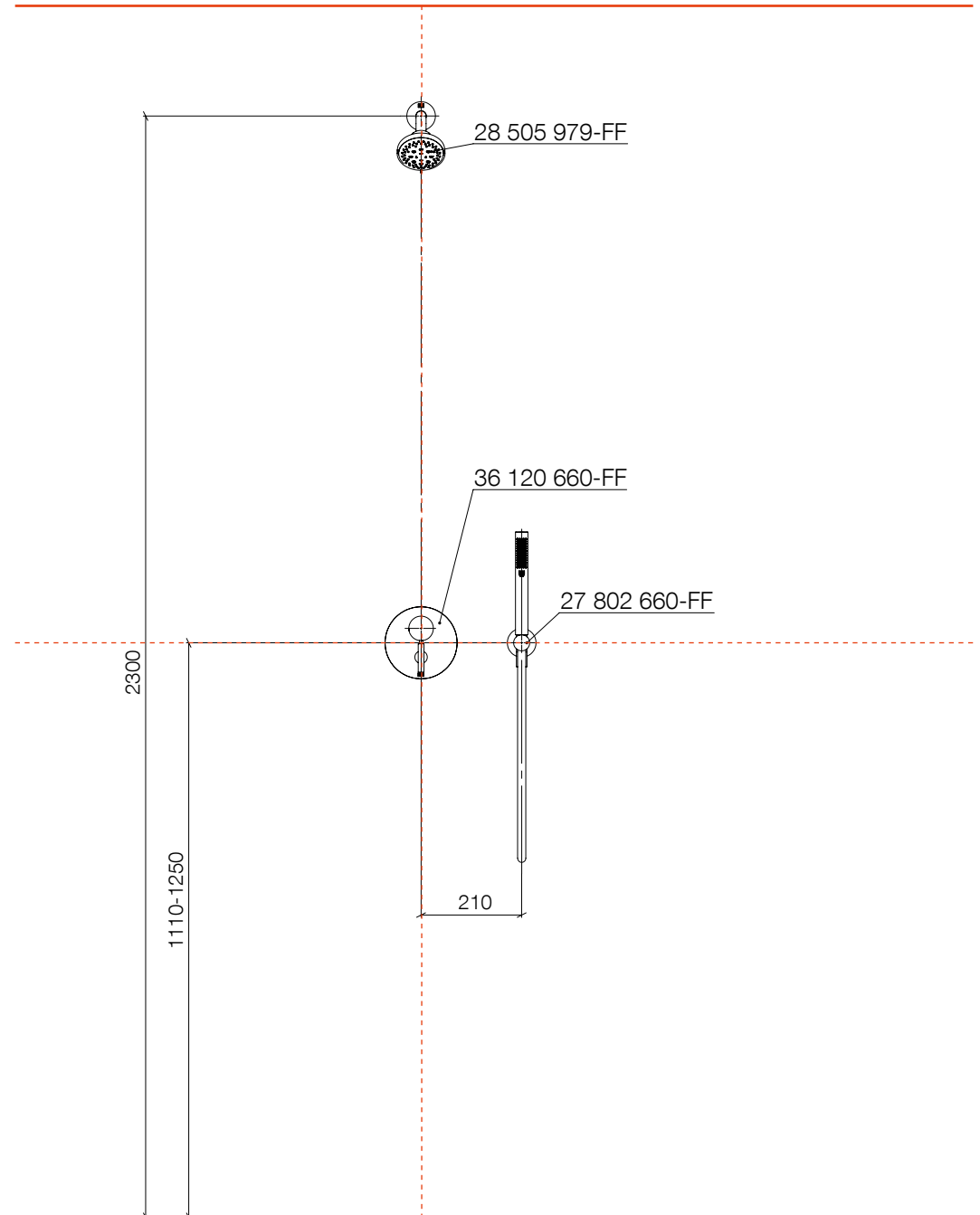
Headshower solution
fits Meta

Concealed articles →

Exposed trim parts

- 1x 28 505 979-FF Shower head
- 1x 36 120 660-FF Concealed single-lever mixer with diverter
- 1x 27 802 660-FF Hand shower set with integrated shower holder

Installation example overview →



Example 02



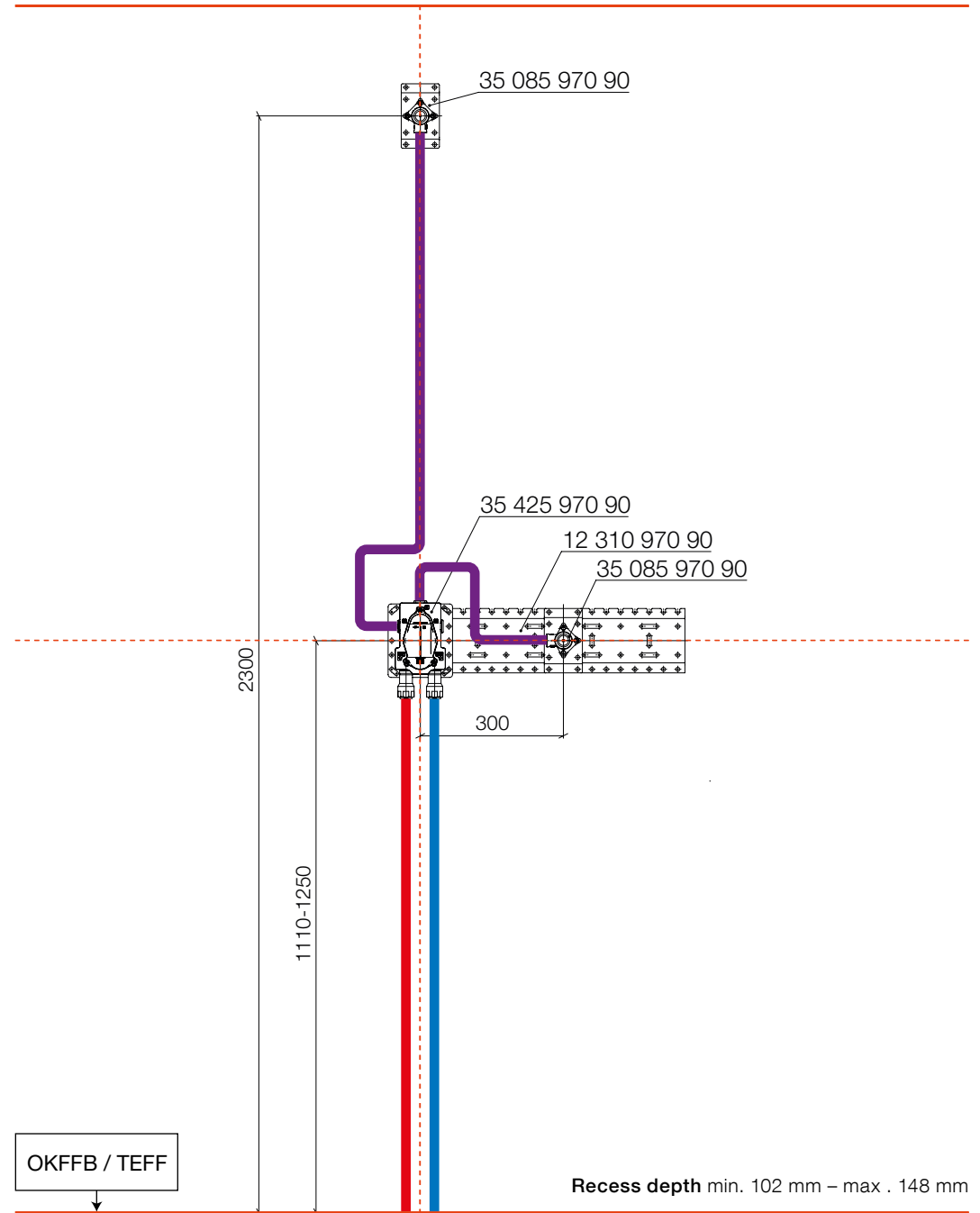
Headshower solution
fits Meta

Concealed articles

Exposed trim parts →

- | | | |
|----|---------------|---------------------------------------|
| 1x | 12 310 970 90 | xGrid xGRID Installation track 510 mm |
| 1x | 35 425 970 90 | Concealed thermostat |
| 2x | 35 085 970 90 | Concealed wall elbow |

Installation example overview →



Example 02



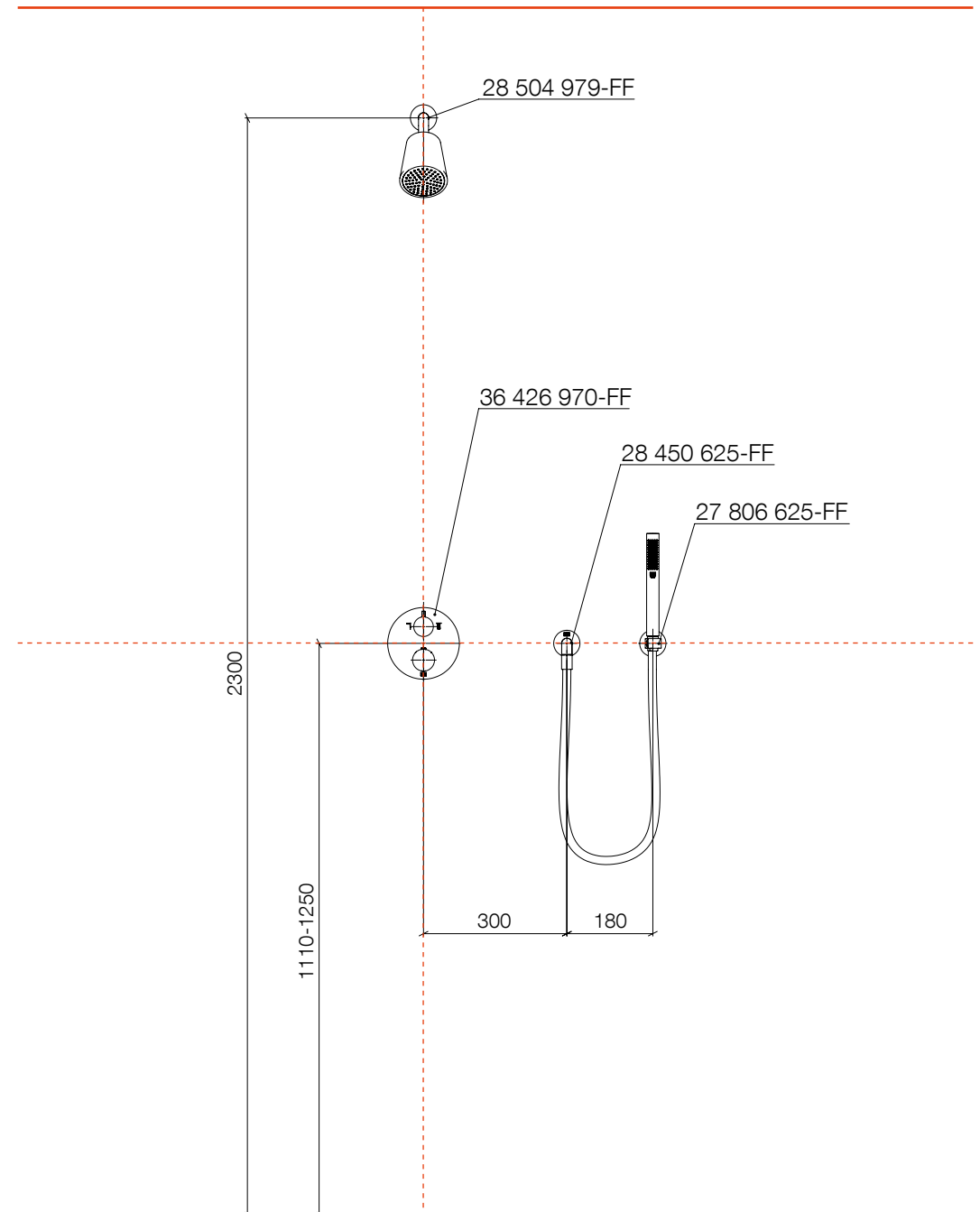
Headshower solution
fits Meta

Concealed articles →

- 1x 28 504 979-FF Shower head
- 1x 36 426 970-FF Concealed thermostat with two function volume control
- 1x 27 806 625-FF Hand shower set
- 1x 28 450 625-FF Wall elbow

Exposed trim parts

Installation example overview →



Example 03



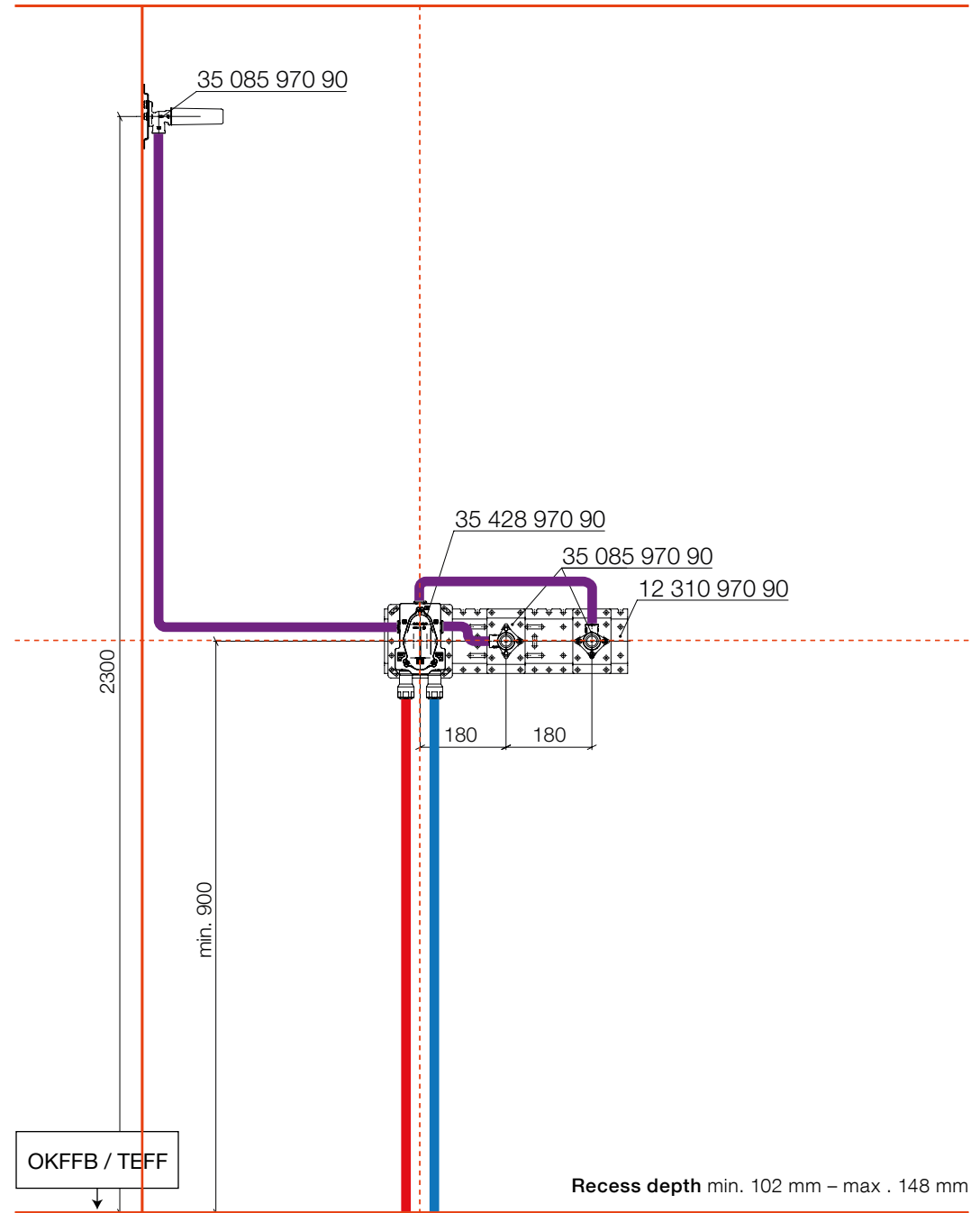
Rainshower solution
fits Meta, Tara

Concealed articles

Exposed trim parts →

- 1x 12 310 970 90 xGrid Installation track 510 mm
- 1x 35 428 970 90 Concealed thermostat with built-in isolators
- 3x 35 085 970 90 Concealed wall elbow

Installation example overview →



Example 03



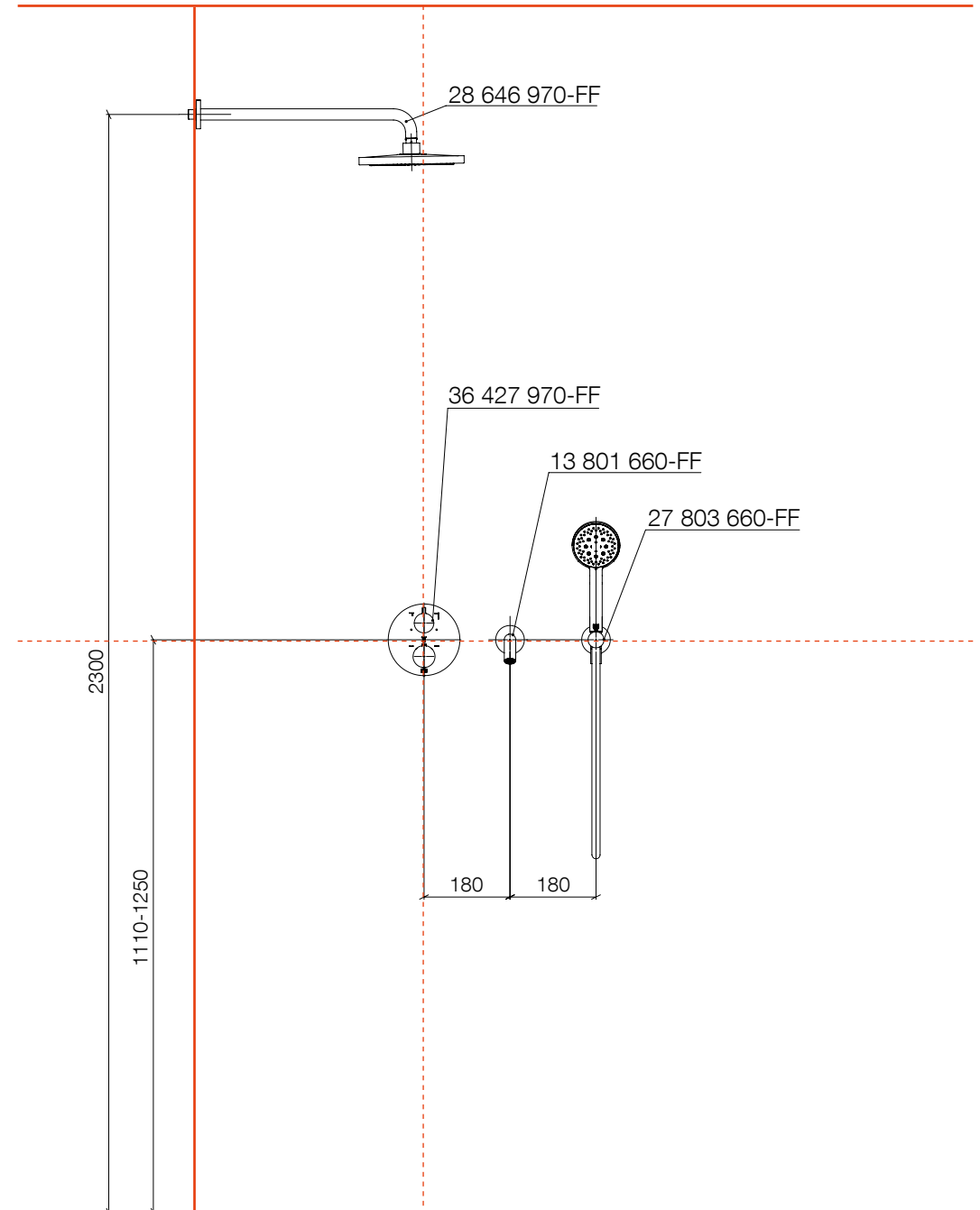
Rainshower solution
fits Meta, Tara

Concealed articles →

- 1x 28 649 970-FF Rain Shower with wall fixing
- 1x 36 427 970-FF Concealed thermostat with three function volume control
- 1x 13 801 660-FF Bath Spout for wall mounting
- 1x 27 803 660-FF Hand shower set with integrated shower holder

Exposed trim parts

Installation example overview →



Example 04



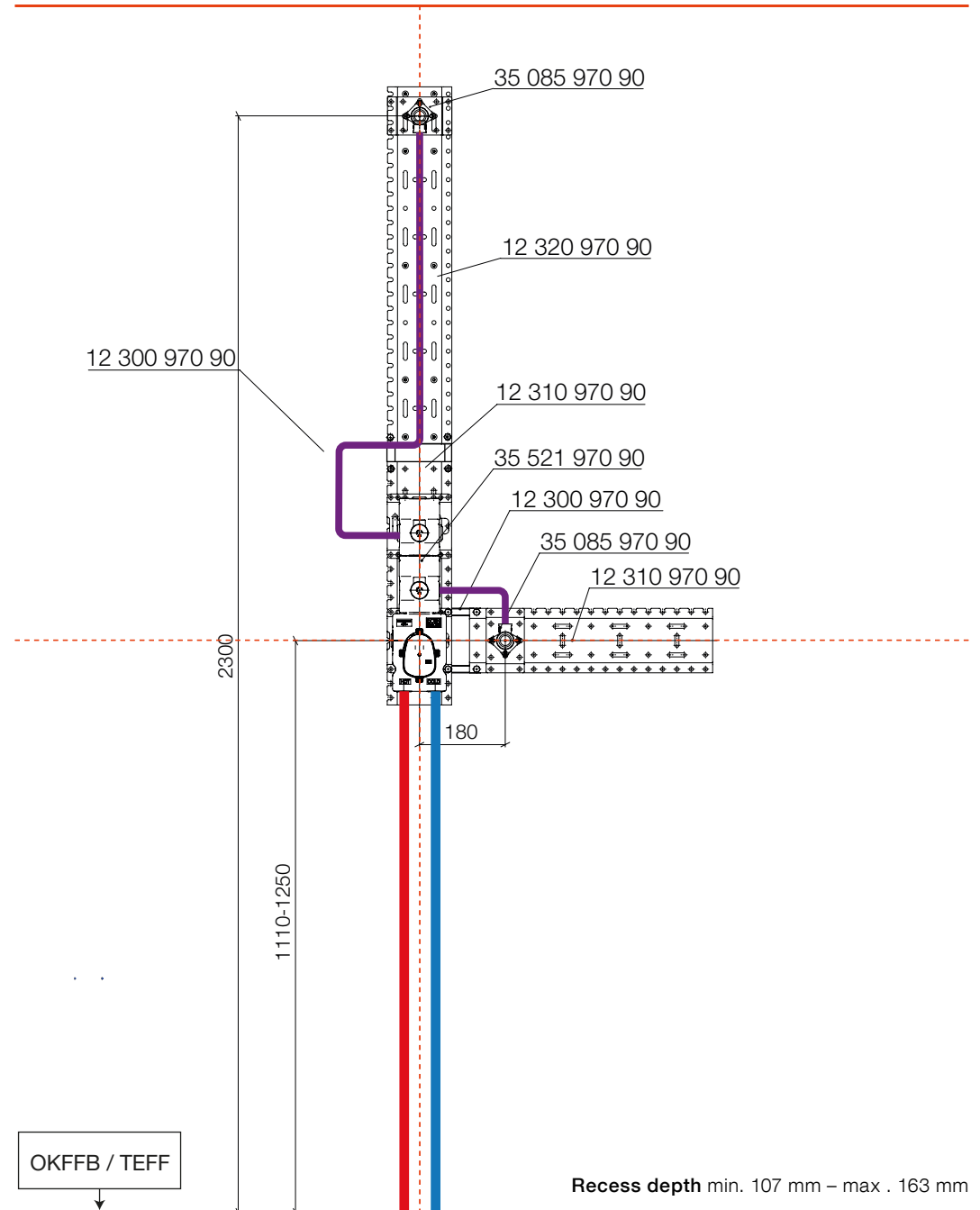
Rainshower solution
fits CL.1, Deque, IMO

Concealed articles

Exposed trim parts →

- 2x 12 310 970 90 xGrid xGrid Installation track 510 mm
- 1x 12 300 970 90 xGrid Connecting kit
- 1x 35 521 970 90 xTOOL Concealed thermostat module with 2 valves
- 2x 35 085 970 90 Concealed wall elbow

Installation example overview →



Example 04



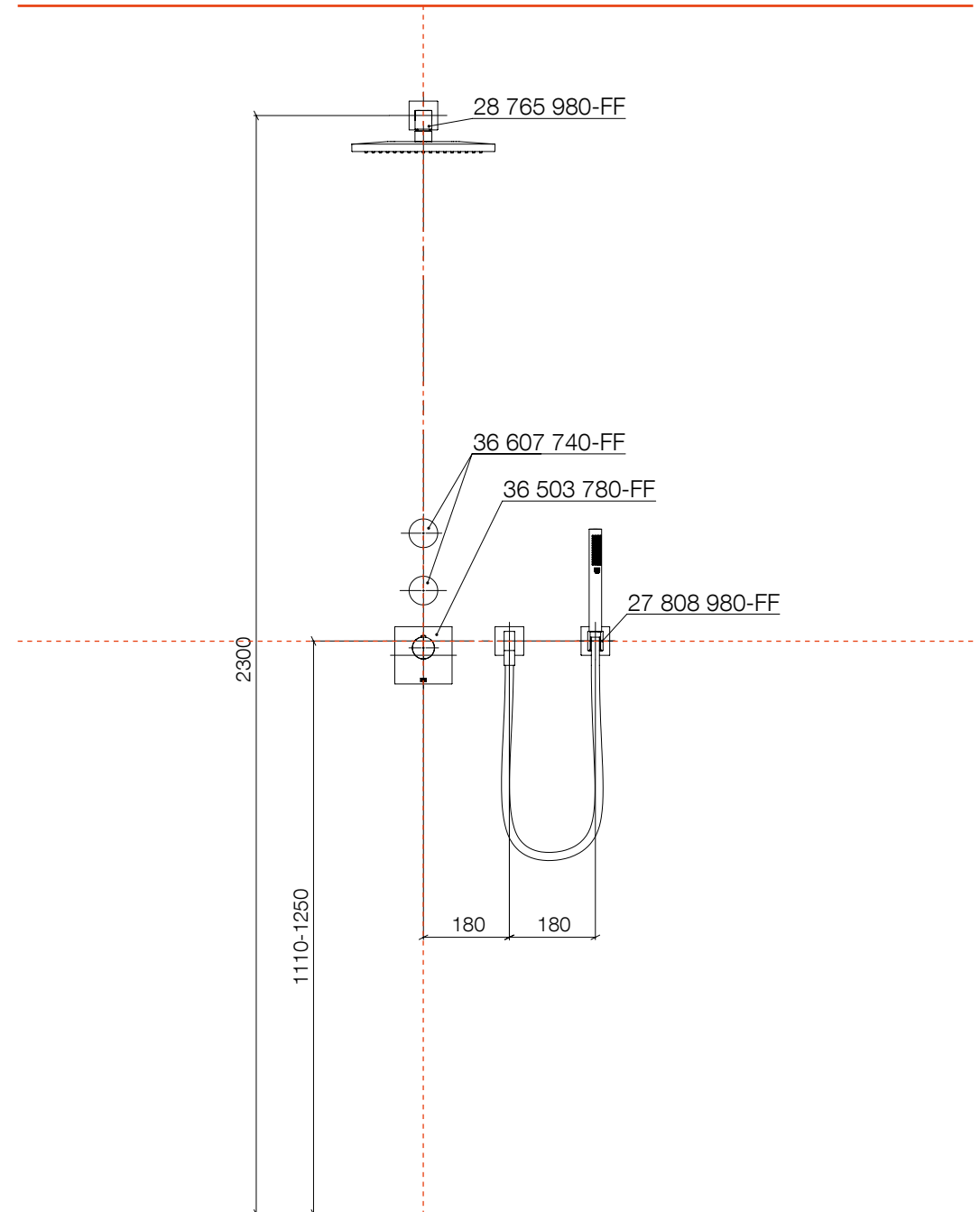
Rainshower solution
fits CL.1, Deque, IMO

Concealed articles →

- 1x 28 765 980-FF Rain Shower with wall fixing
- 2x 36 607 740-FF Wall valve
- 1x 36 503 780-FF xTOOL Concealed thermostat without volume control
- 1x 27 808 980-FF Hand shower set with individual rosettes

Exposed trim parts

Installation example overview →



Example 05



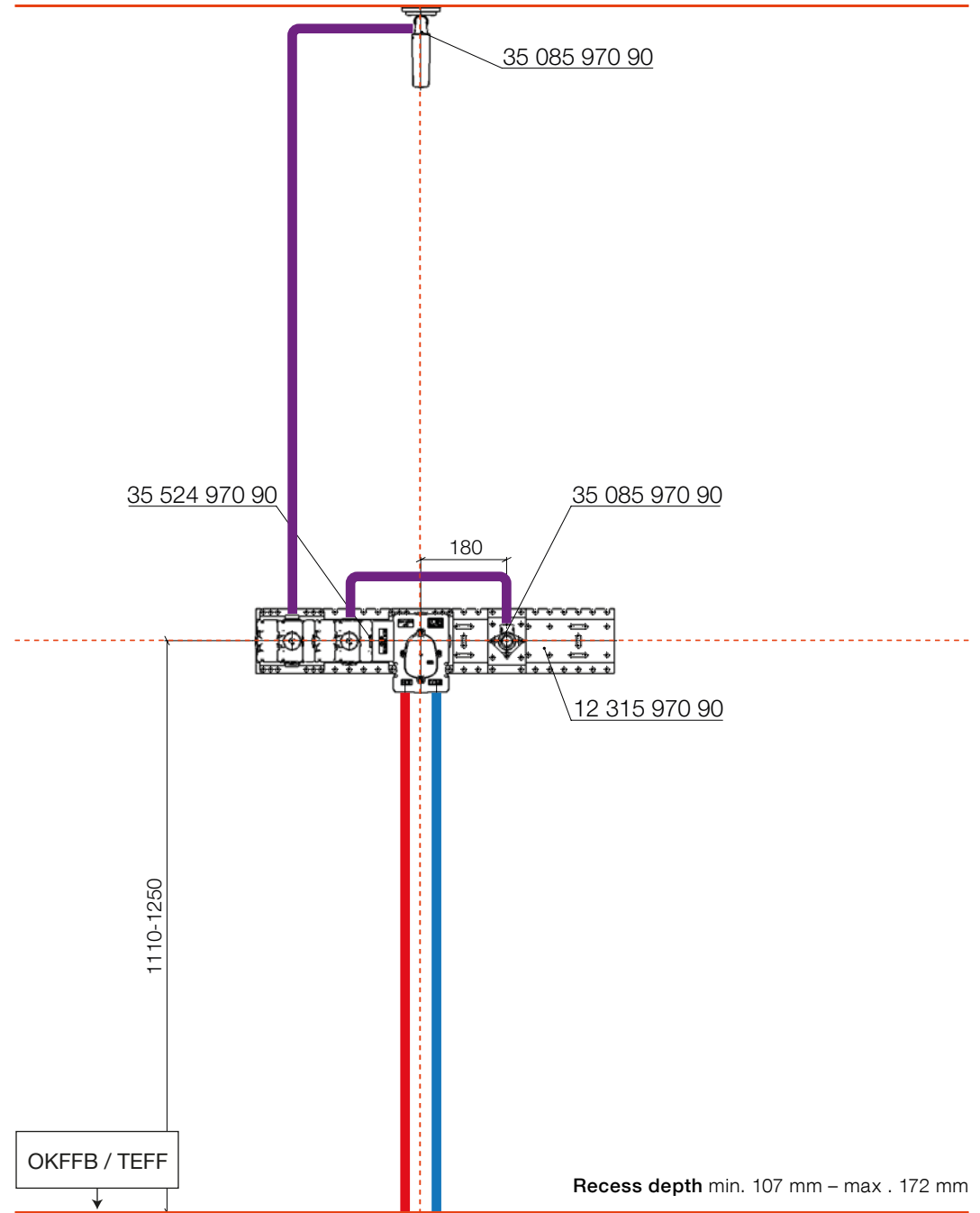
Rainshower solution
fits IMO, Symetrics

Concealed articles

Exposed trim parts →

- 1x 12 315 970 90 xGrid Installation track 750 mm
- 1x 35 524 970 90 xTOOL Concealed thermostat module with 2 valves
- 2x 35 085 970 90 Concealed wall elbow

[Installation example overview →](#)



Example 05



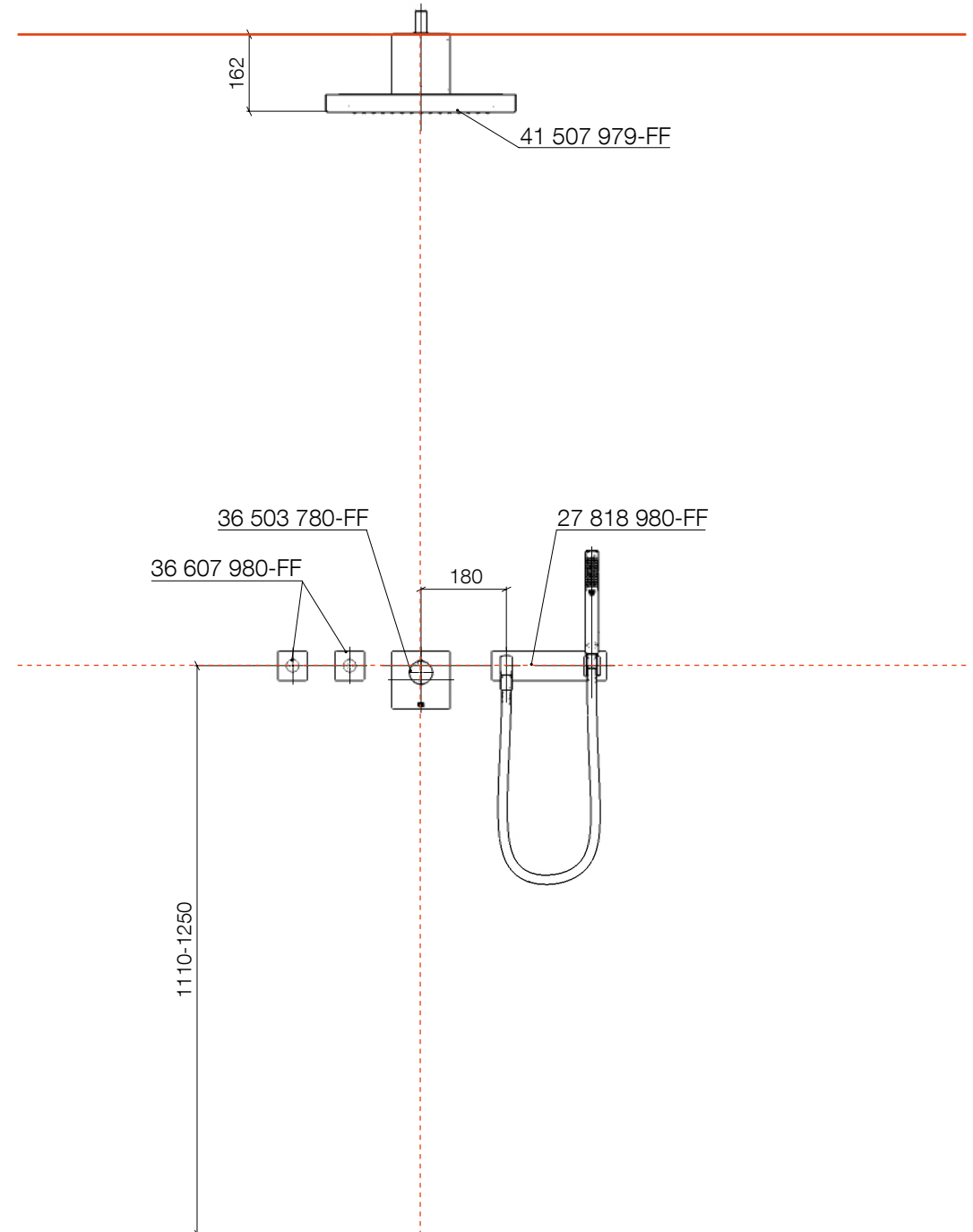
Rainshower solution
fits IMO, Symetrics

Concealed articles →

- 1x 41 507 979-FF JUST RAIN Rain shower with ceiling fixing
- 2x 36 607 980-FF Wall valve
- 1x 36 503 780-FF xTOOL Concealed thermostat without volume control
- 1x 27 818 980-FF Hand shower set with cover plate

Exposed trim parts

Installation example overview →



Example 06



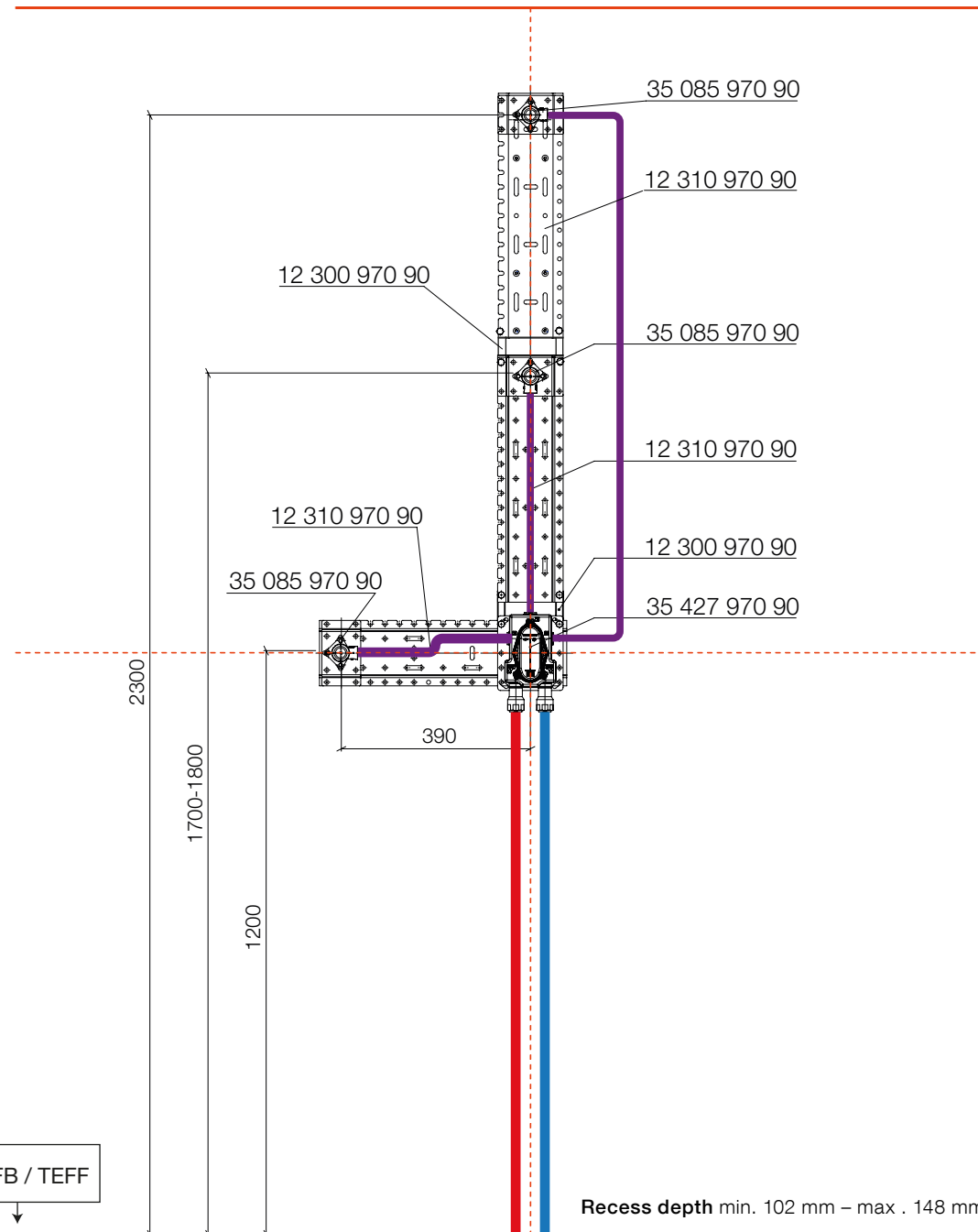
Rainshower solution
fits CL.1, Deque, IMO, MEM, Symetrics

Concealed articles

- 3x 12 310 970 90 xGrid Installation track 510 mm
- 2x 12 300 970 90 xGrid Connecting kit
- 1x 35 427 970 90 Concealed thermostat
- 3x 35 085 970 90 Concealed wall elbow

Exposed trim parts →

Installation example overview →



Example 06



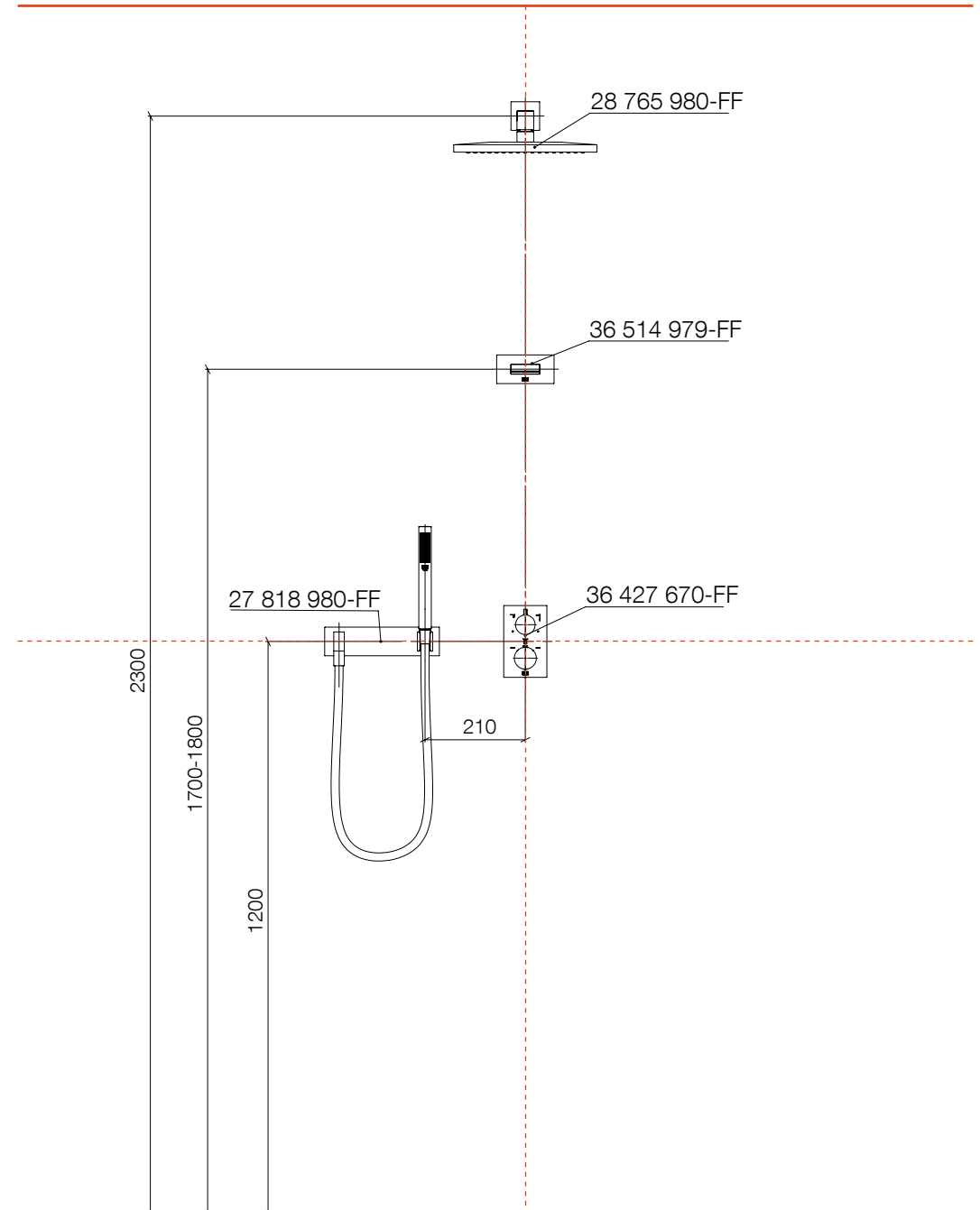
Rainshower solution
fits CL.1, Deque, IMO, MEM, Symetrics

Concealed articles →

- | | | |
|----|---------------|---|
| 1x | 28 765 980-FF | Rain Shower with wall fixing |
| 1x | 36 514 979-FF | WATER CURVE Concealed body spray |
| 1x | 36 427 670-FF | Concealed thermostat with three function volume control |
| 1x | 27 818 980-FF | Hand shower set with cover plate |

Exposed trim parts

Installation example overview →



Example 07



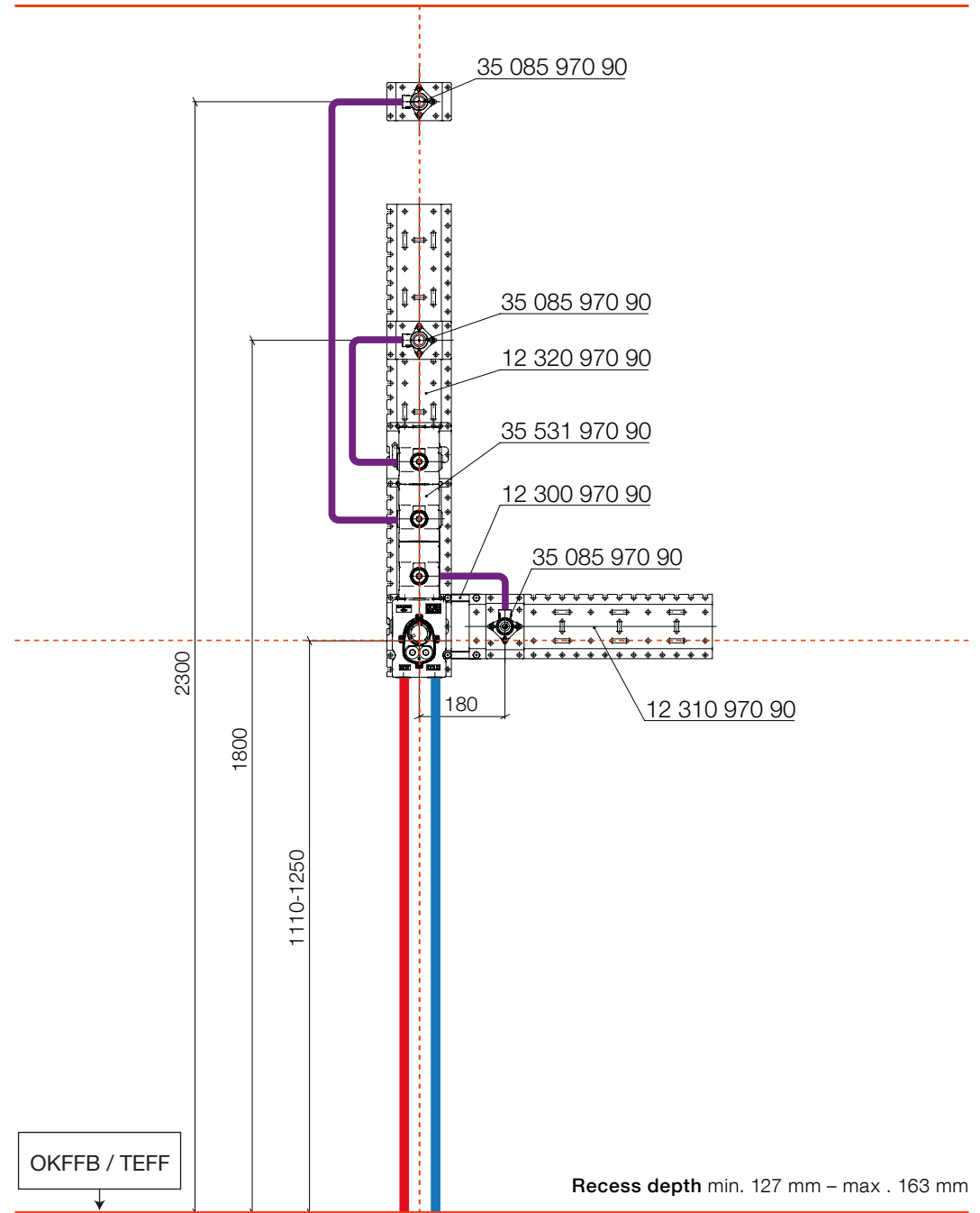
Rainshower solution
fits CL.1, MEM

Concealed articles

Exposed trim parts →

- 1x 12 310 970 90 xGrid Installation track 510 mm
- 1x 12 320 970 90 xGrid Installation track 990 mm
- 1x 12 300 970 90 xGrid Connecting kit
- 1x 35 531 970 90 xTOOL Concealed thermostat module with 3 valves
- 3x 35 085 970 90 Concealed wall elbow

Installation example overview →



Example 07



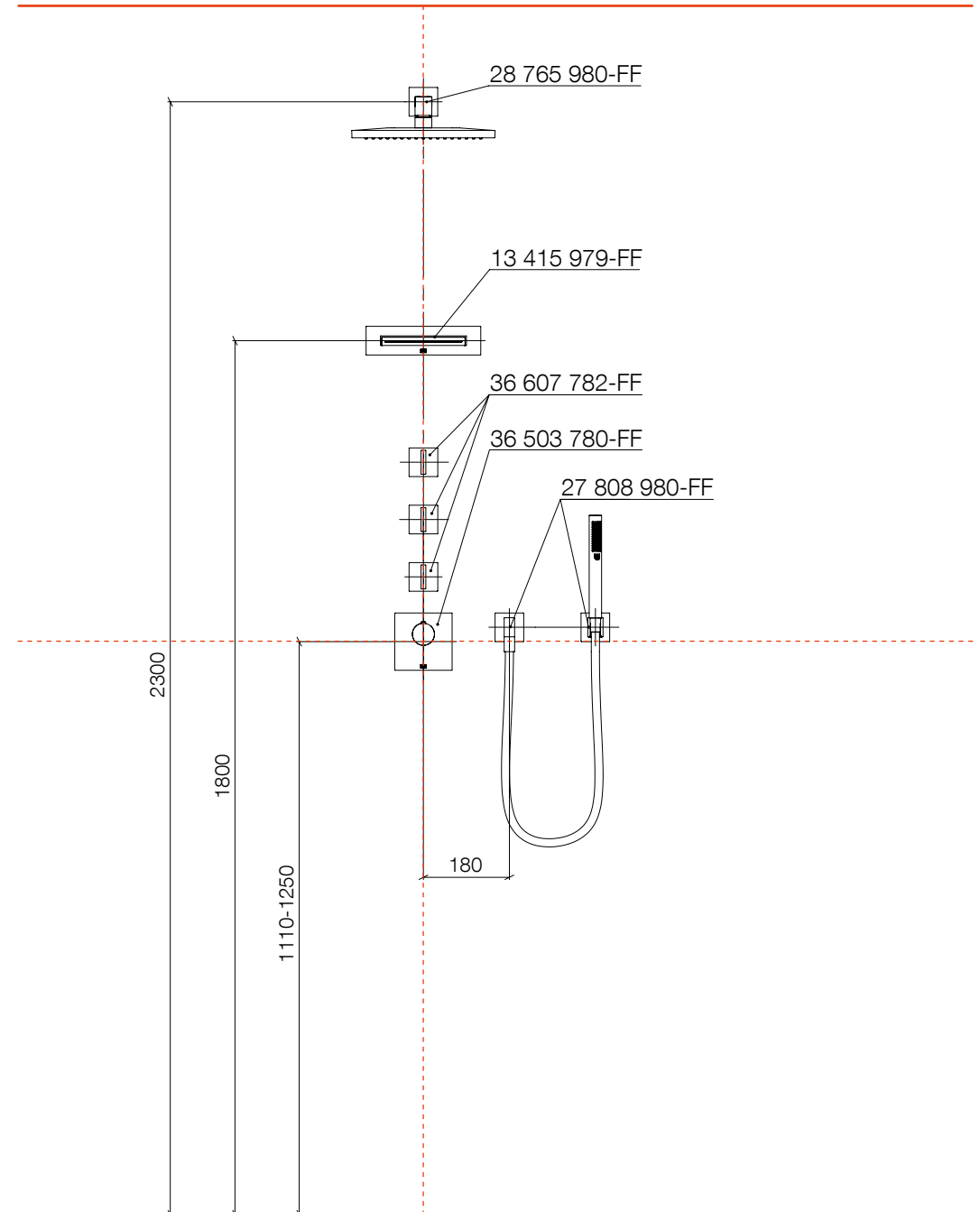
Rainshower solution
fits CL.1, MEM

Concealed articles →

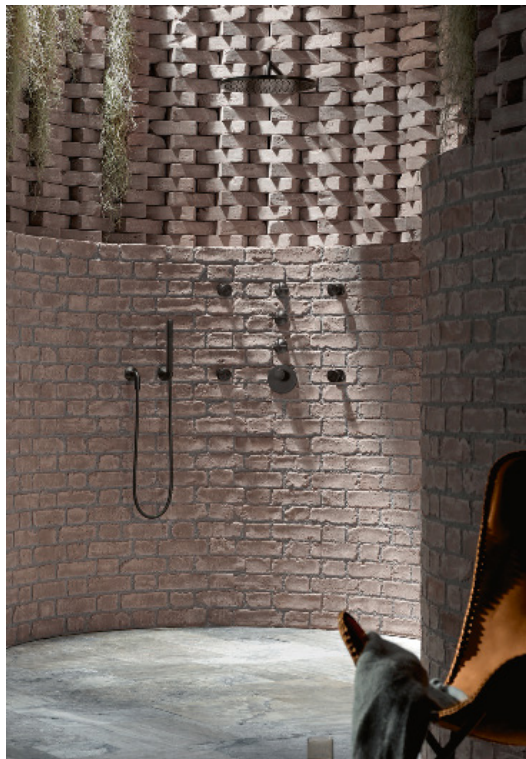
Exposed trim parts

- | | | |
|----|---------------|---|
| 1x | 28 765 980-FF | Rain Shower with wall fixing |
| 1x | 13 415 979-FF | WATER SHEET Cascade spout for wall mounting |
| 3x | 36 607 782-FF | Wall valve |
| 1x | 36 503 780-FF | xTOOL Concealed thermostat without volume control |
| 1x | 27 808 980-FF | Hand shower set with individual rosettes |

Installation example overview →



Example 08



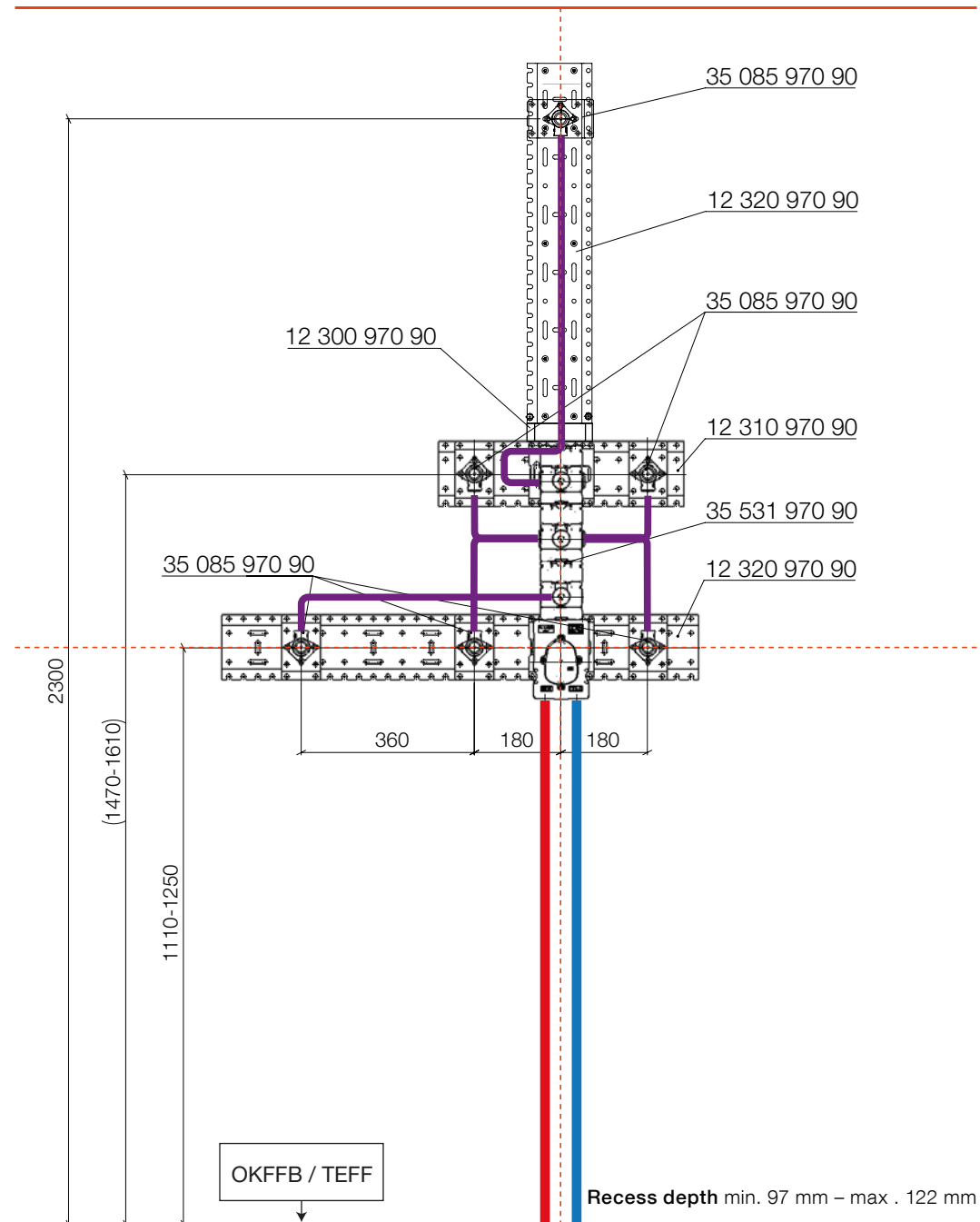
Rainshower solution
fits VAIA

Concealed articles

Exposed trim parts →

- 1x 12 310 970 90 xGrid Installation track 510 mm
- 2x 12 320 970 90 xGrid Installation track 990 mm
- 1x 12 300 970 90 xGrid Connecting kit
- 1x 35 531 970 90 xTOOL Concealed thermostat module with 3 valves
- 6x 35 085 970 90 Concealed wall elbow

Installation example overview →



Example 08



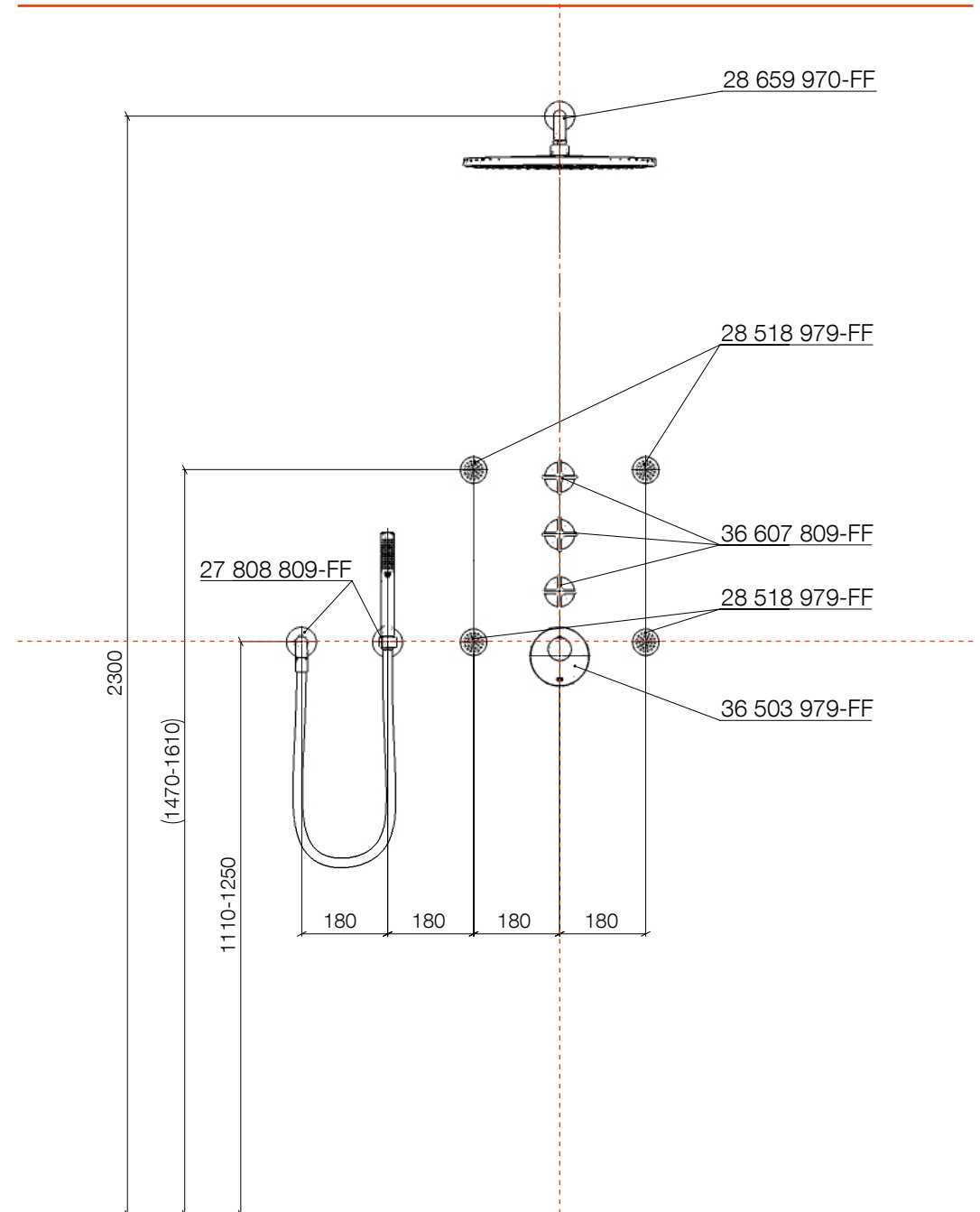
Rainshower solution
fits VAIA

Concealed articles →

- 1x 28 659 970-FF Rain Shower with wall fixing
- 4x 28 518 979-FF Body spray without volume control
- 3x 36 607 809-FF Wall valve
- 1x 36 503 979-FF xTOOL Concealed thermostat without volume control
- 1x 27 808 809-FF Hand shower set with individual rosettes

Exposed trim parts

Installation example overview →



Example 09



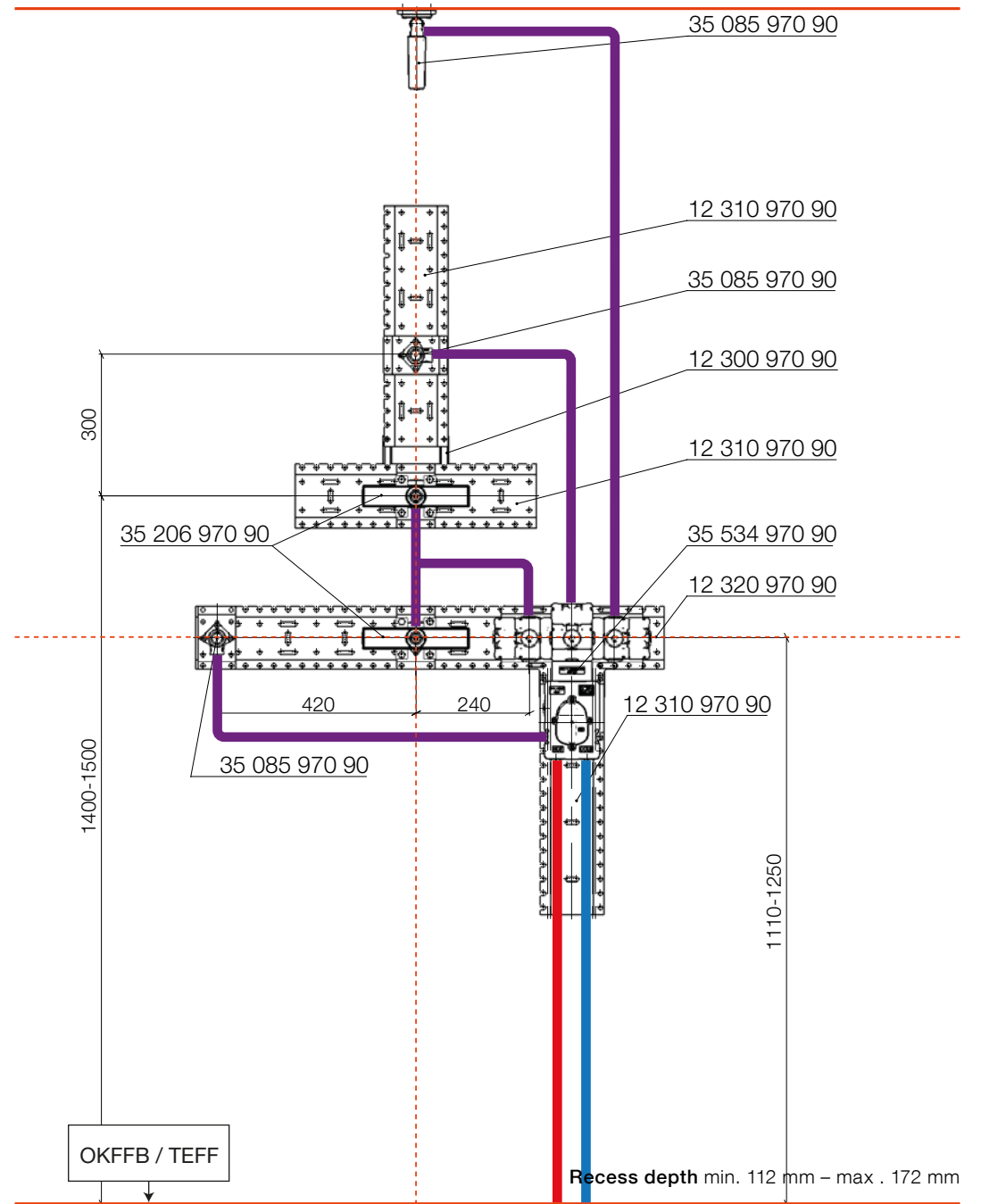
Rainshower solution
fits IMO, Symetrics

Concealed articles

Exposed trim parts →

- 3x 12 310 970 90 xGrid Installation track 510 mm
- 1x 12 320 970 90 xGrid Installation track 990 mm
- 1x 12 300 970 90 xGrid Connecting kit
- 1x 35 534 970 90 xTOOL Concealed thermostat module with 3 valves
- 3x 35 085 970 90 Concealed wall elbow
- 2x 35 206 970 90 Concealed wall installation box

Installation example overview →



Example 09



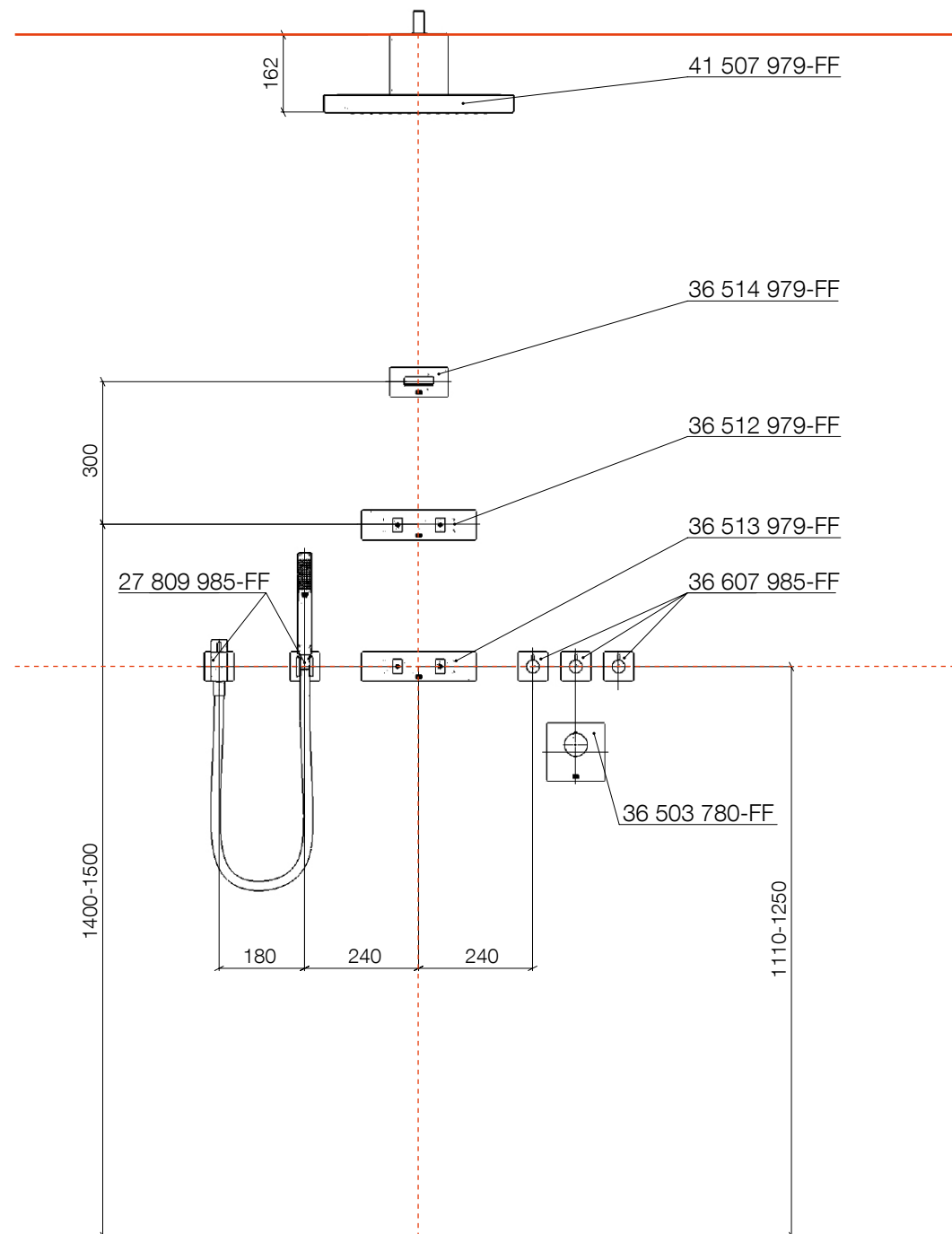
Rainshower solution
fits IMO, Symetrics

Concealed articles →

- | | | |
|----|---------------|---|
| 1x | 41 507 979-FF | JUST RAIN Rain shower with ceiling fixing |
| 1x | 36 514 979-FF | WATER CURVE Concealed body spray |
| 1x | 36 512 979-FF | WATER FAN horizontal Concealed body spray |
| 1x | 36 513 979-FF | WATER FAN vertical Concealed body spray |
| 3x | 36 607 985-FF | Wall valve |
| 1x | 36 503 780-FF | xTOOL Concealed thermostat without volume control |
| 1x | 27 809 985-FF | SHand shower set with individual rosettes with volume control |

Installation example overview →

Exposed trim parts



Example 10



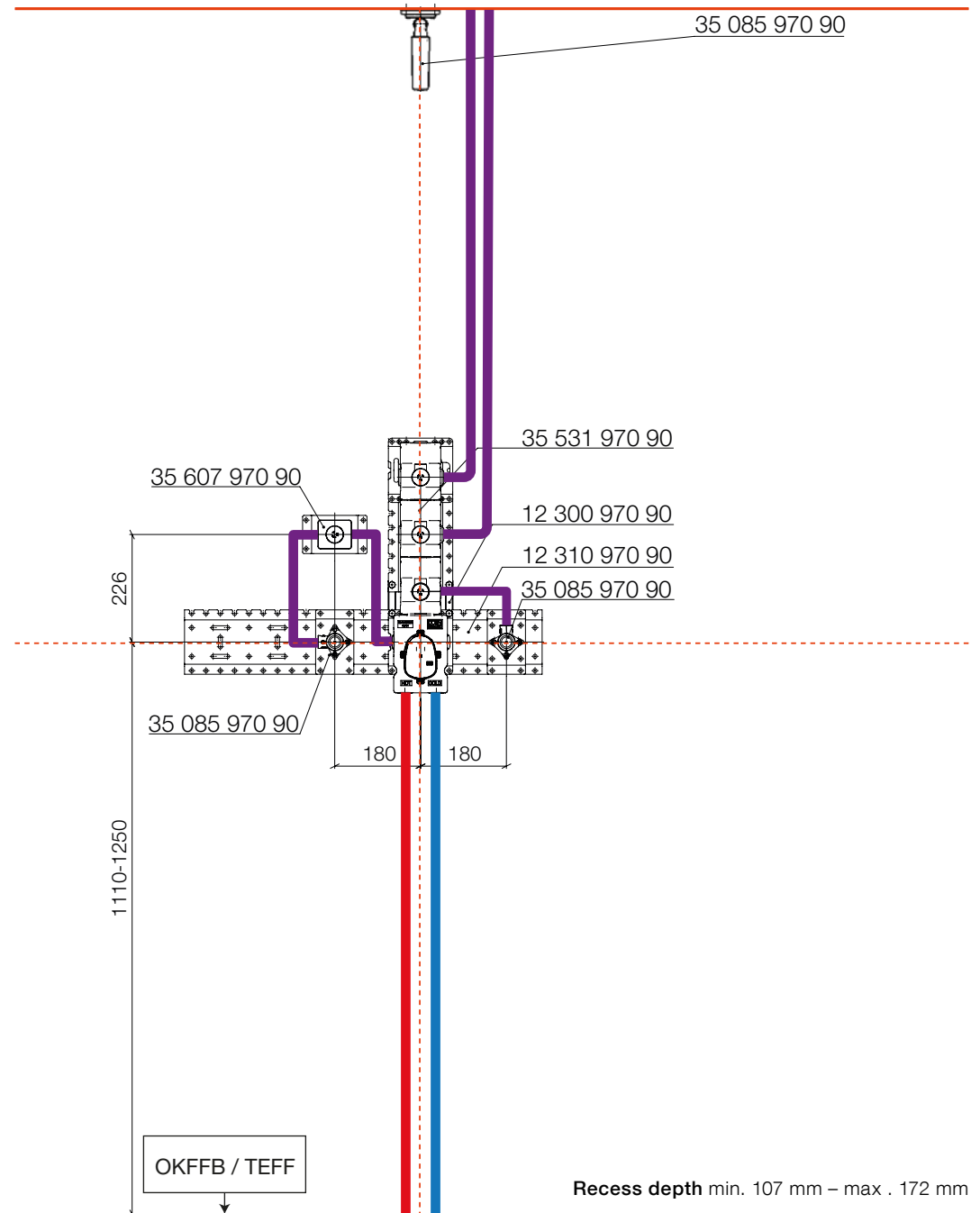
Rainpanel solution
fits Meta

Concealed articles

Exposed trim parts →

- 2x 12 310 970 90 xGrid Installation track 510 mm
- 1x 12 300 970 90 xGrid Connecting kit
- 1x 35 531 970 90 xTOOL Concealed thermostat module with 3 valves
- 1x 35 607 970 90 Wall valve 1/2"
- 3x 35 085 970 90 Concealed wall elbow

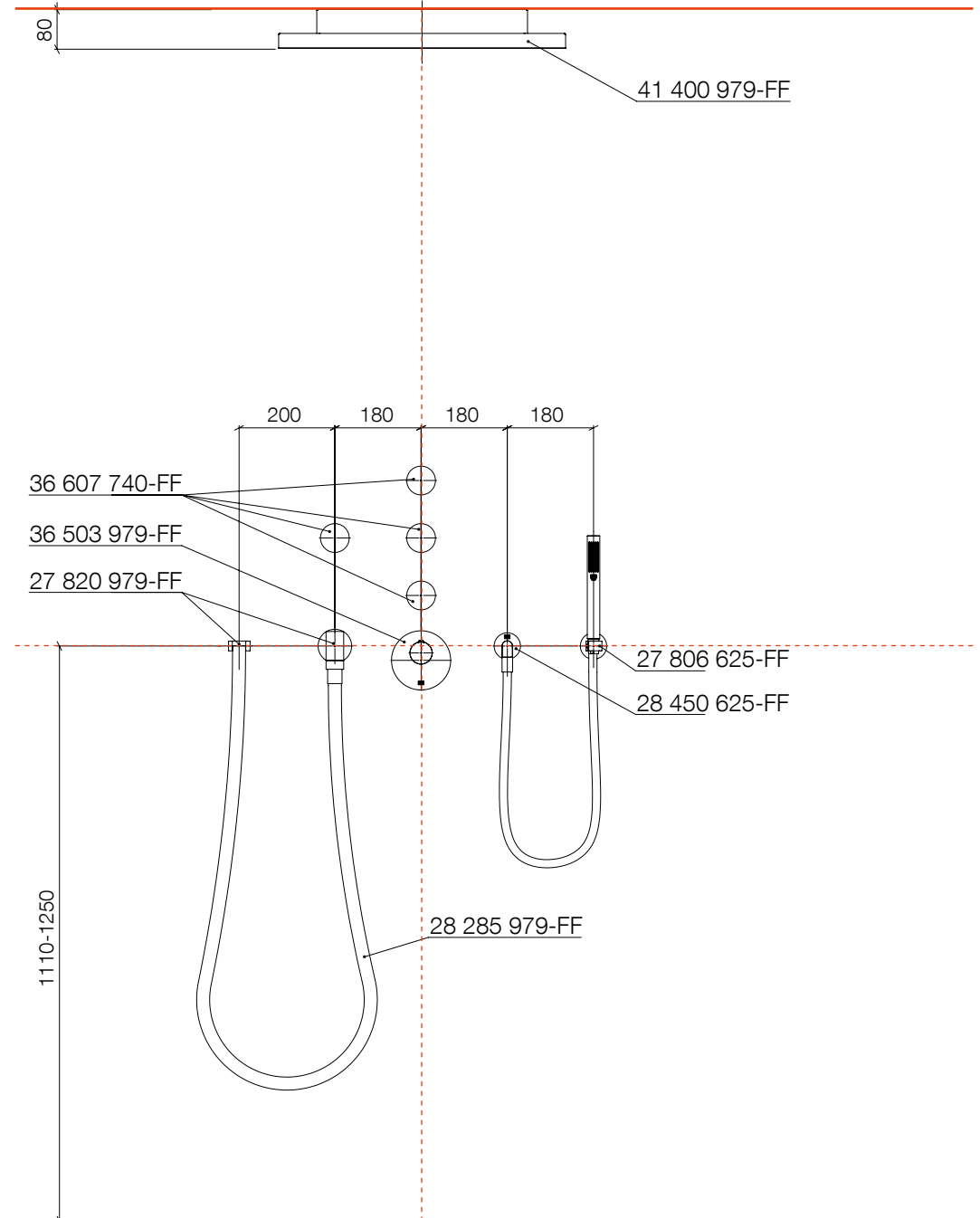
Installation example overview →



Example 10



Rainpanel solution
fits Meta



Concealed articles →

Exposed trim parts

- | | |
|------------------|---|
| 1x 41 400 979-FF | BIG RAIN Rain panel for ceiling installation or ceiling substructure installation |
| 4x 36 607 740-FF | Wall valve |
| 1x 36 503 979-FF | xTOOL Concealed thermostat without volume control |
| 1x 27 820 979-FF | WATER TUBE Kneipp wall elbow with hose holder with individual rosettes |
| 1x 28 285 979-FF | WATER TUBE Kneipp hose white 2000 mm |
| 1x 27 806 625-FF | Hand shower set |
| 1x 28 450 625-FF | Wall elbow |

Installation example overview →

Example 11



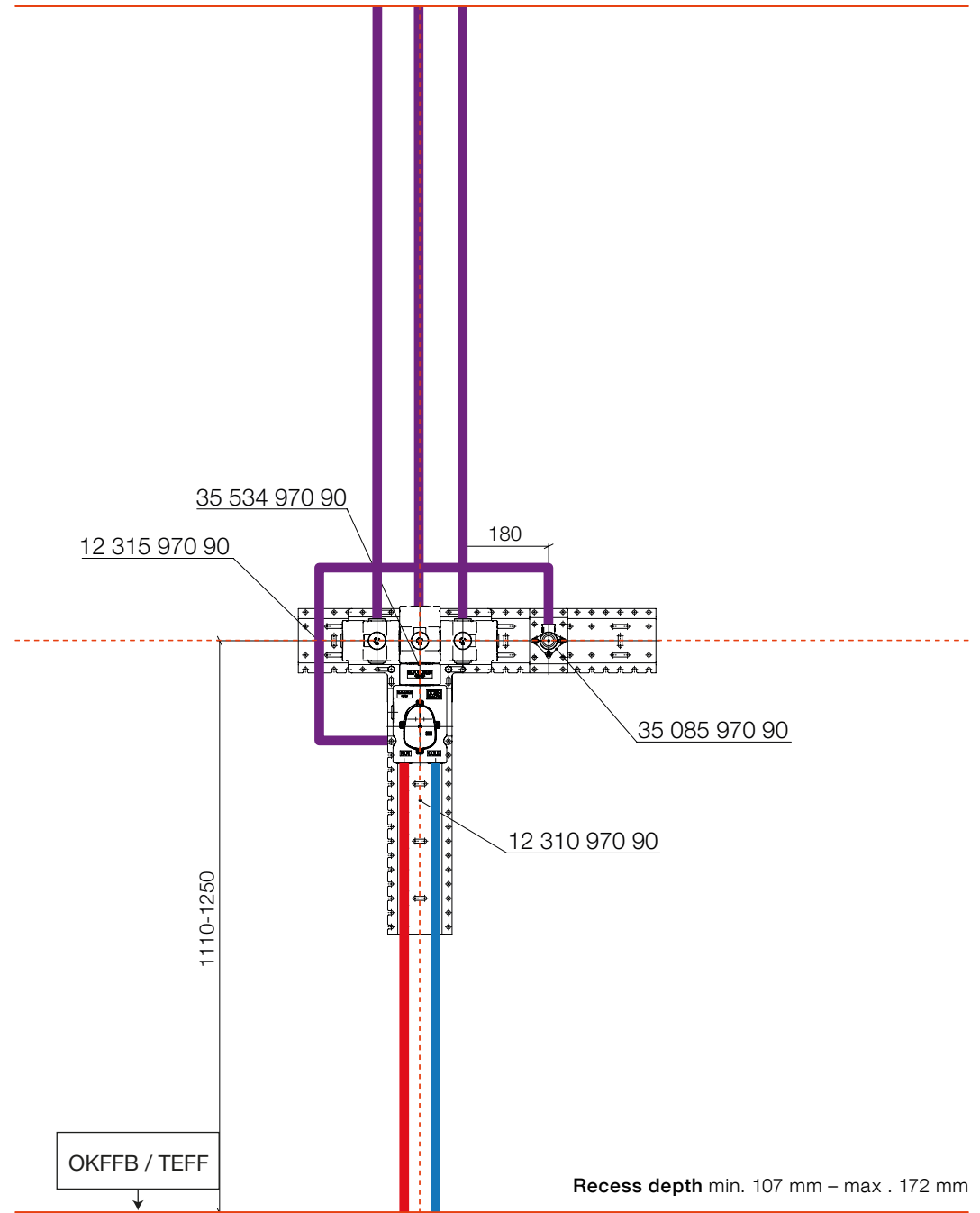
Rainpanel solution
fits IMO, Symetrics

Concealed articles

Exposed trim parts →

- 1x 12 310 970 90 xGrid Installation track 510 mm
- 1x 12 315 970 90 xGrid Installation track 750 mm
- 1x 35 534 970 90 xTOOL Concealed thermostat module with 3 valves
- 1x 35 085 970 90 Concealed wall elbow

Installation example overview →



Example 11



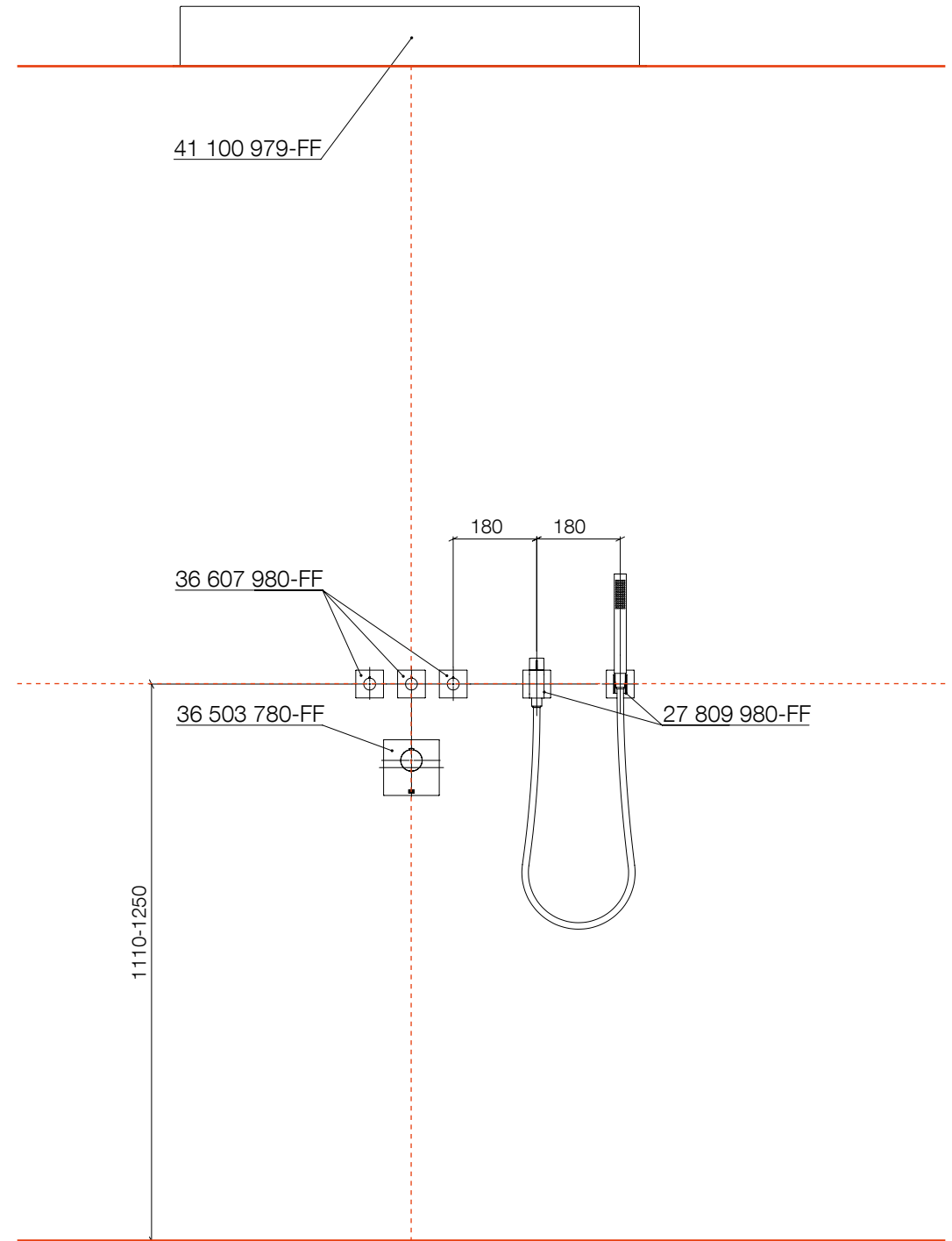
Rainpanel solution
fits IMO, Symetrics

Concealed articles →

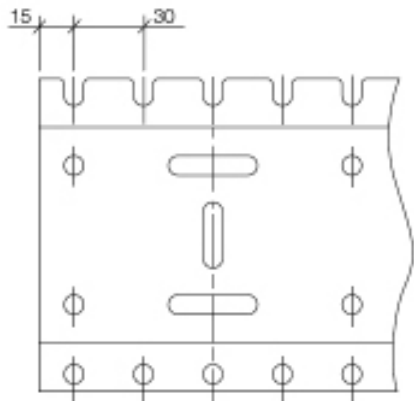
- 1x 41 100 979-FF RAIN SKY M Rain panel for ceiling installation manual control
- 3x 36 607 980-FF Wall valve
- 1x 36 503 780-FF xTOOL Concealed thermostat without volume control
- 1x 27 809 980-FF Hand shower set with individual rosettes with volume control

Exposed trim parts

Installation example overview →



xGrid Installation track



Easy installation

The concealed rough parts are suspended in the mounting rail and can thus be easily positioned before they are fixed with screws.

Single alignment

Due to the unique alignment of the rail, all products mounted on it are automatically aligned.

Reliable compliance with grids and distances

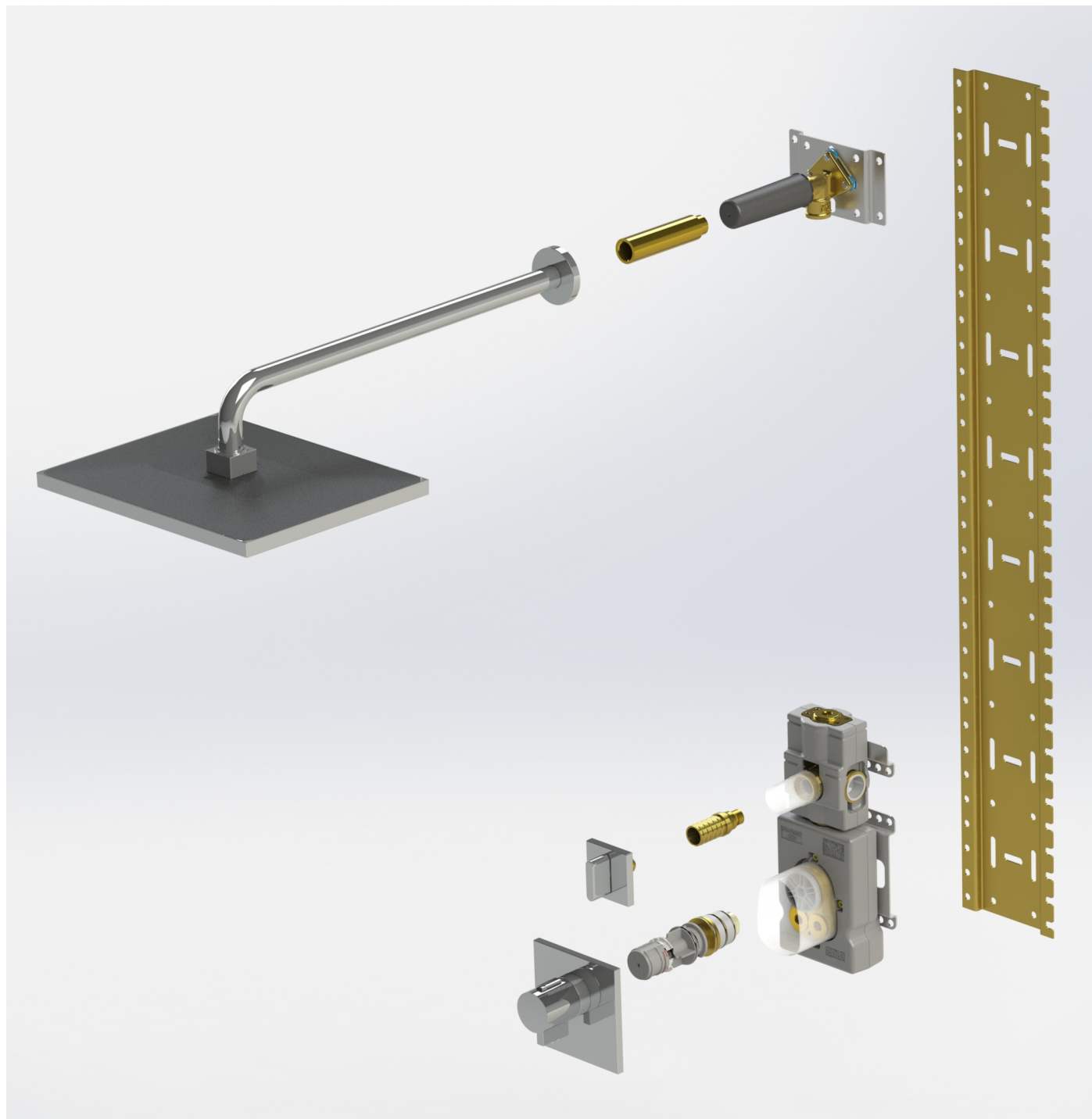
The rail supports and enables compliance even of complex design grids.

Grid size from 30 mm

Compatibility with many stud frames

Optional adapters for direct mounting in metal and Wooden stud frames.

[Contents →](#)



Planning information

Installation height

The basic installation height on the wall is 1200 mm for a 1.75 m tall user. This can be varied as required and adapted to the height of the particular user.

Design grid

The xGrid mounting rail enables modules to be mounted in 30 mm steps. The recommended minimum distance between rosettes or cover plates of the final mounting kits is 60 mm. For individual planning, the following should be considered in advance check whether the pipework between the modules requires a larger distance between the products.

Water hardness

Recommended water hardness for our RAIN SKY M, RAIN SKY E and BIG RAIN products: 7–9 °e. If your water is harder, install a water softening system that uses the ion exchange principle into the feed pipes.

Hot water supply

For the optimum choice of hot water storage device – taking into consideration additional drawing-off points and the frequency of use – you need to assess the specific demand.

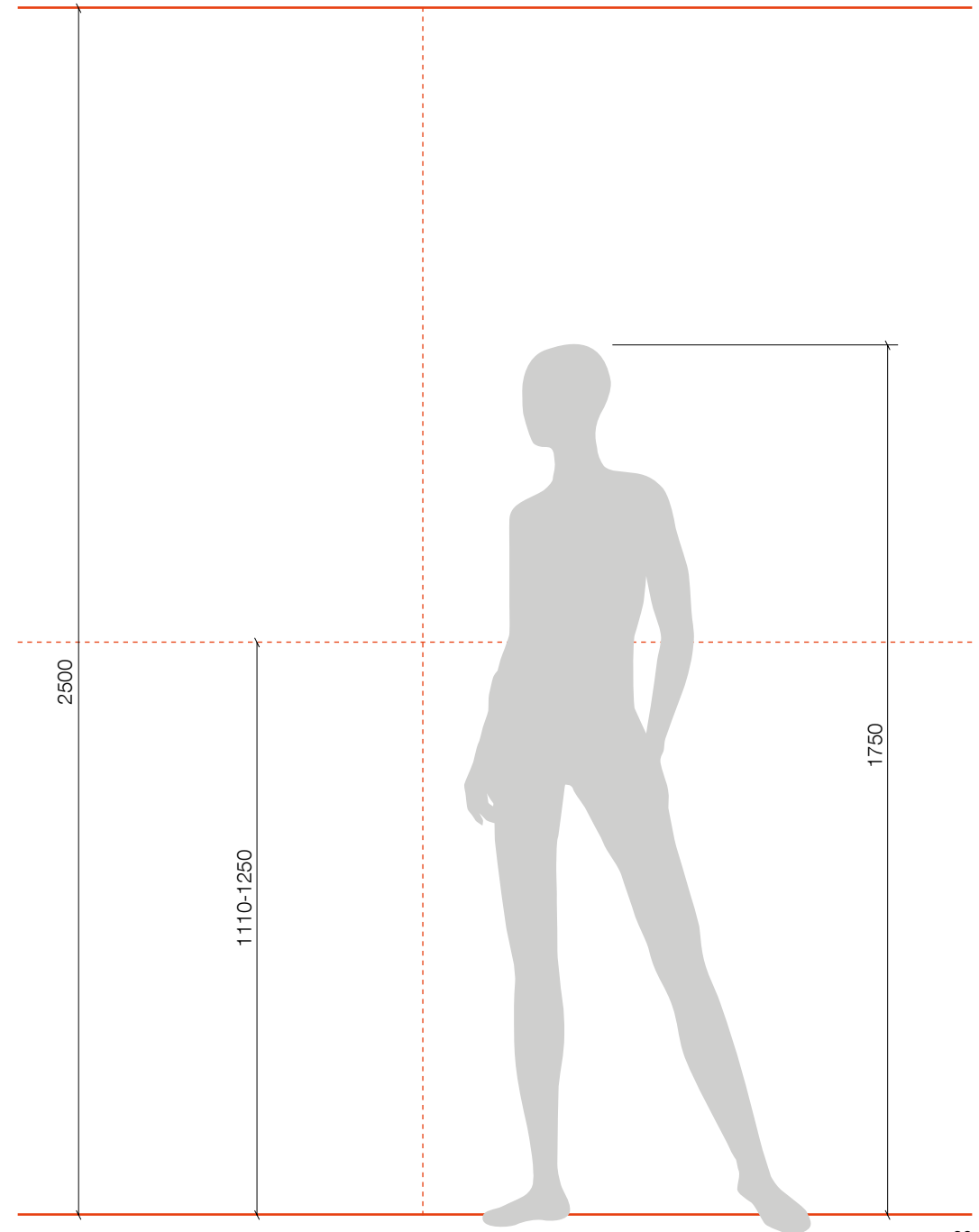
Shower drainage

For choosing drainage, taking into consideration the flow rate of all the products in the shower, you need to assess the specific demand.

Wall elbow arrangement

When using a complete hand shower set or the Kneipp hose with a cover plate, the wall elbow and holder arrangement is prescribed (to the right or left). Should you want a different arrangement, this can be implemented using the individual rosette versions.

[Contents →](#)



Dornbracht AG & Co. KG
Köbbingser Mühle 6
D-58640 Iserlohn
mail@dornbracht.de
dornbracht.com