

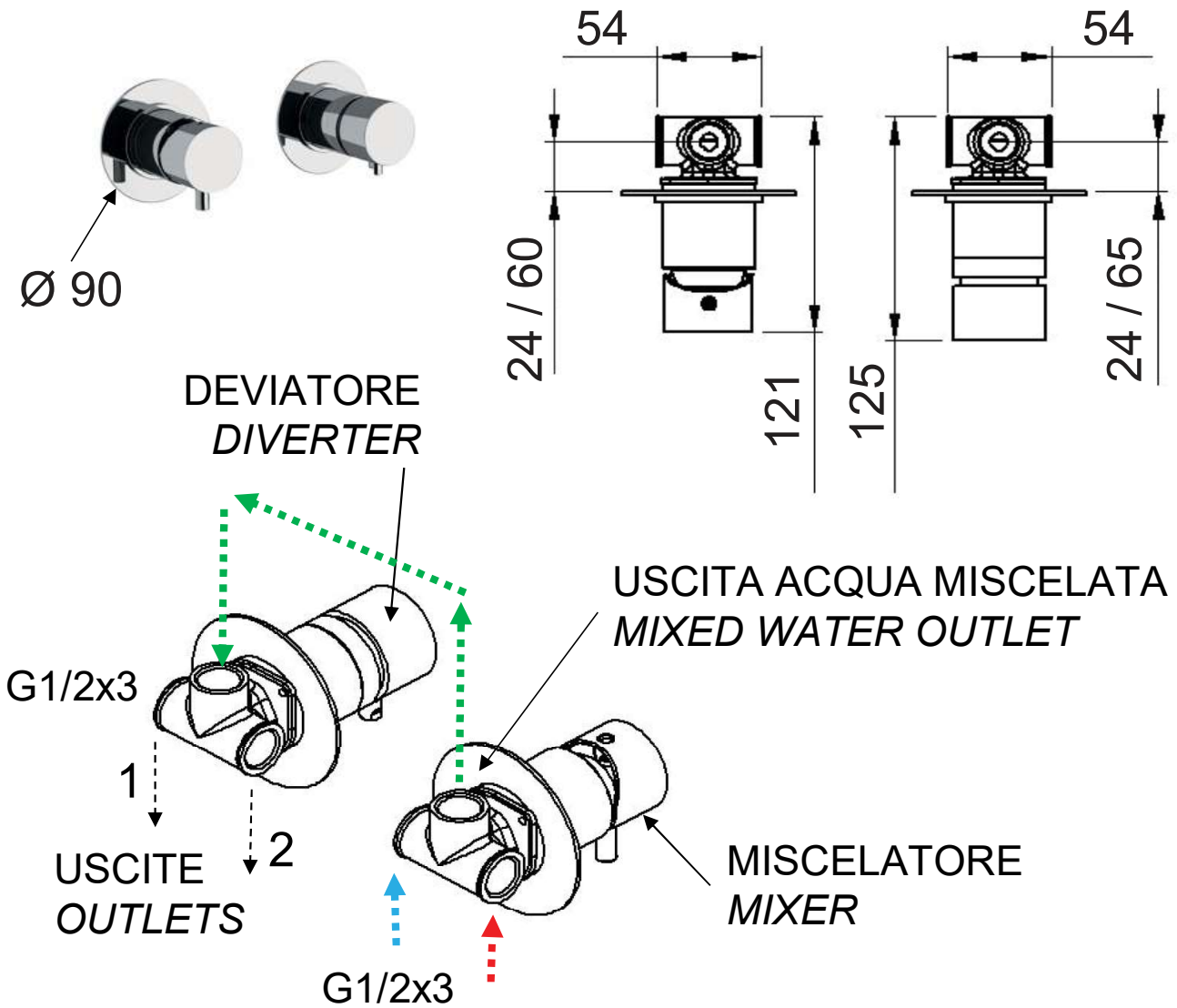


DANIEL

SCHEDA TECNICA TECHNICAL FEATURES

ART. COD.

TK625



MATERIALI / MATERIALS

OTTONE CROMATO /* CHROME PLATED BRASS

CROMATURA / CHROME PLATING

UNI EN 248