

Sink Phantom Base Gun Metal - 5554 046

Sinks

Code: 5554 046



DETAILS

| | |
|-------------------|--|
| Coloring | Gun Metal |
| Finish | PVD |
| Material | AISI 304 stainless steel |
| Texture | Satin |
| Dimensions | 430x430 mm for 12 mm thick sheets |
| Standard fittings | Drain, Foster overflow and universal corrugated pipe (for installing different overflows), Boxed packing |
| Built-in hole | View technical data sheet |
| Bowl dimension | 400x400mm |
| Number of bowls | 1 bowl |

Waste fitting

3,5" drain

FEATURES

Gun Metal

The Gun Metal finish is obtained by treating steel with a physical process called PVD (Physical Vacuum Deposition) which deposits particles of noble metals on the surface. The result is a unique and refined aesthetic effect, and an improvement of the mechanical properties of the steel which is more resistant to impact and scratches.

PHANTOM BASE - 12 mm

The Phantom BASE sink's bottoms are specifically engineered to be coupled with sinks made out of slabs. The perimetric trough makes for a simple and perfect installation. This version of Phantom BASE is meant for slabs of 12mm thickness.

PHANTOM BASE WITHOUT WELDING

The steel bottom Phantom BASE solves the problem of water draining of slab sinks, because the slope built into the moulded bottom ensures perfect draining. The radius and sloped profile of Phantom BASE guarantee great practicality and hygiene in everyday cleaning.

High thickness

1mm thick steel. A significant thickness, which guarantees the maximum sturdiness and durability.

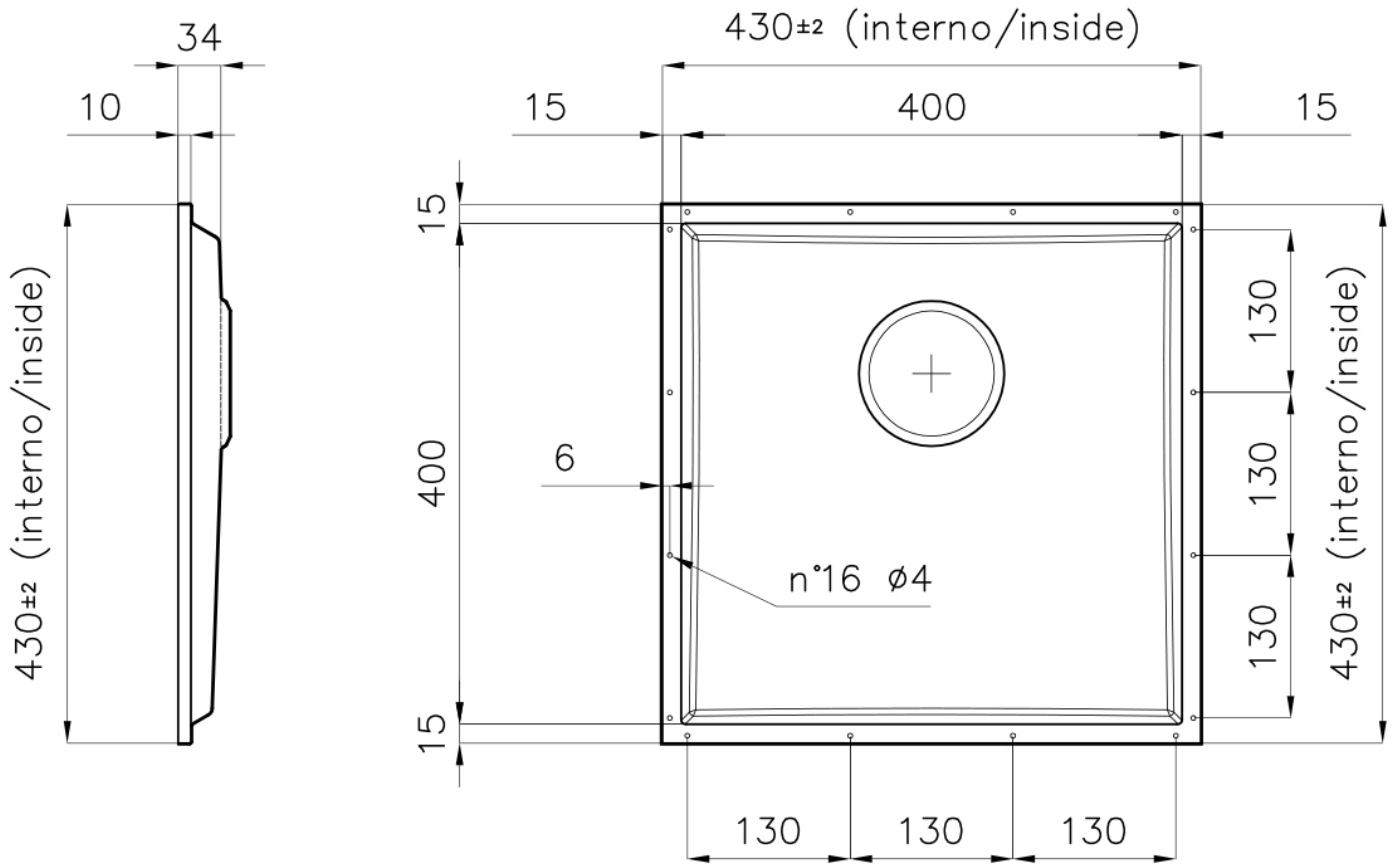
Small radius

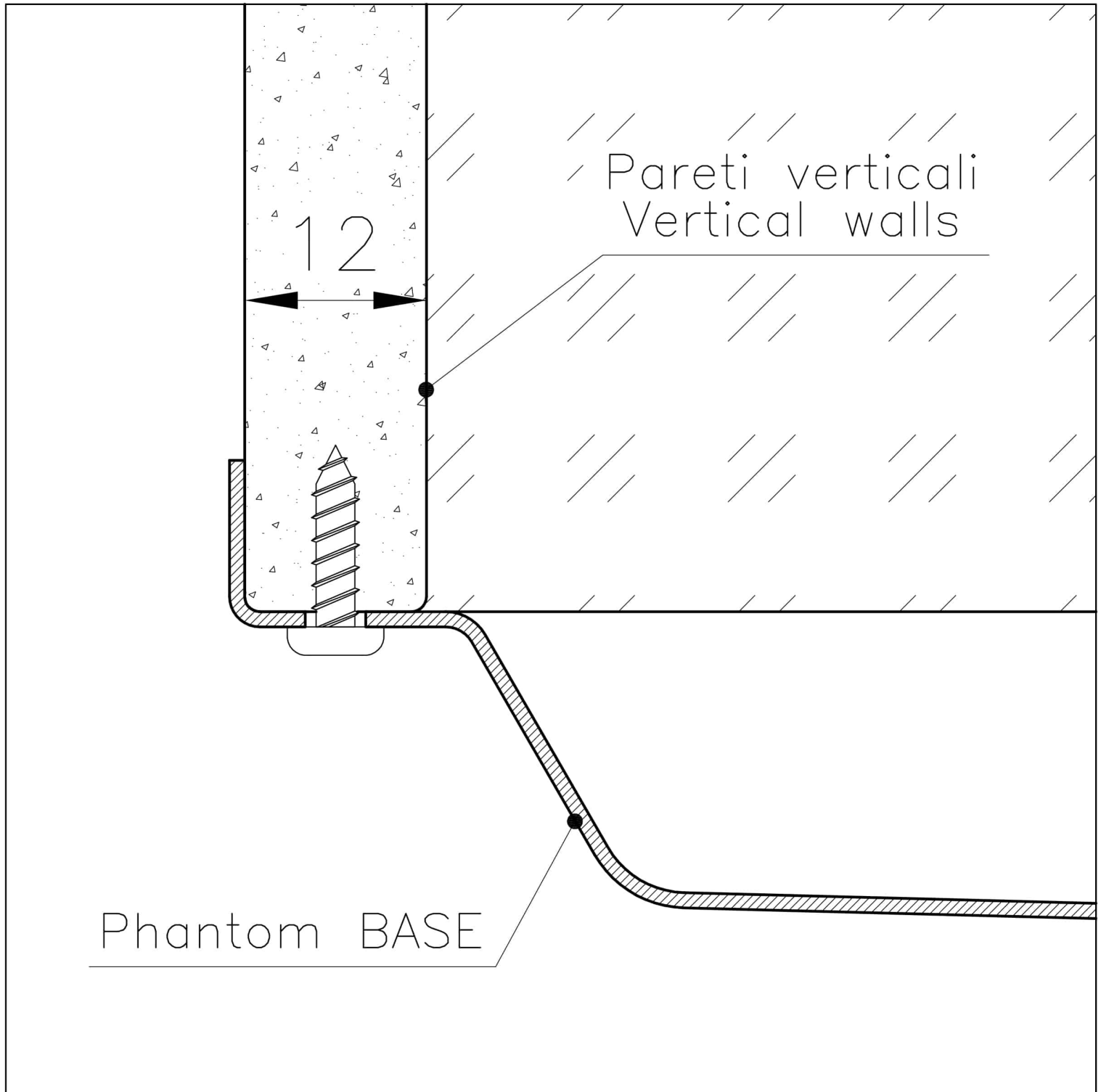
Bowls with squared shapes with a modern design and an increased capacity, for a minimal aesthetics connected with an extreme practicality.

Perimetral overflow

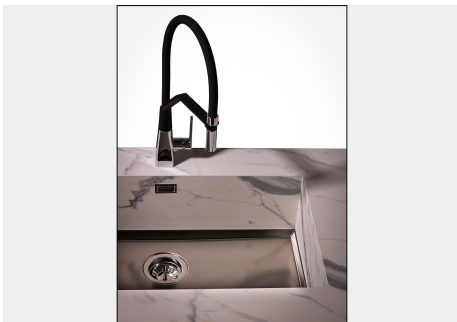
The overflow is always a security on the Foster sinks that prevents the overflow of water in case of oversights. The perimeter drain solution improves aesthetics thanks to its square and essential shape.

TECHNICAL DATA





GALLERY



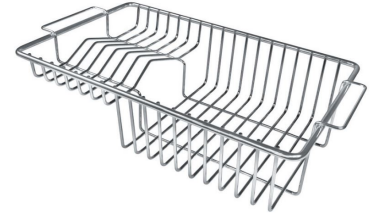
OPTIONAL ACCESSORIES



Cestello inox 8612 000



HPDE Chopping board 8657 001



Stainless steel plate rack 8100 201



White basket 8612 100



White bowl 8153 100

WARNING:

The accessories 8159101, 8100303,8151000 are only usable in combination with 8644101

RECOMMENDED PAIRINGS



Mixer Tap FL 8521 000



Mixer Tap Omega 8497 000



Mixer Tap Omega Gun Metal
8497 856



Mixer Tap Omega Plus 8497 020



Mixer Tap Omega Plus Gun Metal
8498 856

OPTIONAL AUTOMATIC WASTE FITTINGS



Automatic waste fitting 8407 113



Gun Metal automatic waste
fitting 8407 110