



Performance Surge Protector

Models PM6-UK / PM6U-UK

by Schneider Electric

Safety

- Do not install this device during a lightning storm.
- For indoor use only.
- Do not install the surge protector in a hot or excessively moist location.
- Do not use with aquarium equipment.

Installation

1. Plug the surge protector into a grounded outlet only.
2. Plug the power cord from your electrical equipment into the surge protector outlets **❸**.
Note: Verify the device to be protected operates correctly before plugging it into the surge protector.
3. For PM6U series, plug in the USB charging cable to the connector **❹** to charge smartphones, tablets, or other USB devices.
4. Press the Power switch **❷** to the ON “I” position.

Plug with Fuse ❶ - When an output overload condition occurs, the power automatically turns off, disconnecting all equipment from the SurgeArrest product. Unplug all connected equipment, change the fuse inside the plug then re-plug all equipment.

Protection Indicator ❸ - When the unit is plugged in and turned on, the green Protection Indicator illuminates to show the surge protector is capable of helping to protect equipment from harmful electrical surges. If the indicator does not illuminate when the unit is plugged in and turned on, the unit has sustained damage and is no longer capable of helping to protect your equipment. It should be returned according to the instructions provided by Schneider Electric IT (SEIT) Technical Support.

Ground OK Indicator (Not applicable for PM6U series models) - When the surge protector is plugged in and power is turned on, the Ground OK Indicator **❶** illuminates (green) to show that the power source outlet is properly grounded. If the Ground OK Indicator does not illuminate, there is a problem with the building wiring. Employ a qualified and licensed electrician to correct the problem.

Overload indicator ❶ (Not applicable for PM6U series models) - If this indicator illuminates, disconnect devices until the indicator extinguishes.

USB Charging Port ❹ - Two convenient USB charging ports power any USB enabled devices, including smartphones, tablets, digital cameras, etc. Smart Charging recognizes your devices and maximizes charging speed.

Cord Management Guide ❺ - Keeps power cords connected to the unit neat and organized, and can also be wall-mounted **❷** with the surge protector (see below).

Specifications

	PM6	PM6U
Input Voltage		250V
USB Charger/Secondary protection	NA	2 ports (5V, 2.4A in total)
Input Frequency		50Hz ± 5Hz
Maximum Line Current per phase		13A
Cord Length		2 meters (6.56 ft.)
Joule Rating		1950 Joules
EMI/RFI Noise rejection		< 40db
Dimensions (WxDxH)		110.3 x 271.5 x 62.0 mm (4.34 x 10.69 x 2.44 in)

Performance Surge Protector

Models PM6-UK / PM6U-UK



by Schneider Electric

السلامة

- تجنب تثبيت هذا الجهاز أثناء وجود عاصفة برقية.
- للاستعمال الداخلي فقط.
- تجنب تثبيت جهاز الحماية من تذبذب التيار في مكان ذات درجات حرارة أو رطوبة عالية.
- تجنب استخدام معدات الحوض.

التركيب

1. وصل جهاز الحماية من تغيرات التيار المفاجئة بأخذ مؤرض فقط.
2. وصل سلك طاقة جهاز الكمبيوتر أو المعدات الكهربائية الأخرى بأخذ جهاز الحماية من تغيرات التيار المفاجئة **❸**.
ملاحظة: تحقق أن الجهاز الذي سيتم حمايته يعمل بشكل صحيح قبل توصيله بجهاز الحماية من تغيرات التيار المفاجئة.
3. بالنسبة لطرز سلسلة PM6U قم بتوصيل كبل شحن USB بالموصل **❹** لشحن الهواتف الذكية أو الأجهزة اللوحية أو غيرها من أجهزة USB.
4. اضغط على مفتاح الطاقة **❷** على وضع “I”.

قاطع الدائرة ❶ - عند زيادة حمل الخرج، يتم إيقاف تشغيل الطاقة تلقائياً وفصل جميع المعدات من منبع SurgeArrest وبعد فصل جميع المعدات المتصلة، قم بالضغط على قاطع الدائرة لإعادة ضبط جهاز الحماية من تغيرات التيار المفاجئة ثم أعد توصيل جميع المعدات.

مؤشر الحماية من تغيرات التيار المفاجئة ❸ - عند توصيل الوحدة وتشغيلها، يضيء مؤشر الحماية باللون الأخضر ليبيّن أن جهاز الحماية من تغيرات التيار المفاجئة قادر على حماية المعدات من التذبذبات الكهربائية الضارة. وإذا لم يضيء المؤشر عند توصيل الوحدة وتشغيلها، فهذا يشير إلى تلف الوحدة وانها لم تعد قادرة على حماية المعدات وينبغي ارجعها وفقاً للتعليمات المقدمة من دعم Schneider Electric IT (SEIT) الفني

مؤشر المؤرض (لا ينطبق ذلك على طرز سلسلة PM6U) - عند توصيل جهاز الحماية من تغيرات التيار المفاجئة وتشغيله، فإن مؤشر OK المؤرض **❶** يضيء (باللون الأخضر) ليبيّن أنه تم تأريض مأخذ مصدر الطاقة بصورة مناسبة. وإذا لم يضيء مؤشر OK المؤرض، فهذا يشير إلى وجود مشكلة في توصيل الأسلاك داخل المبنى. يرجى الاستعانة بفني كهربائي مؤهل ومرخص لحل هذه المشكلة.

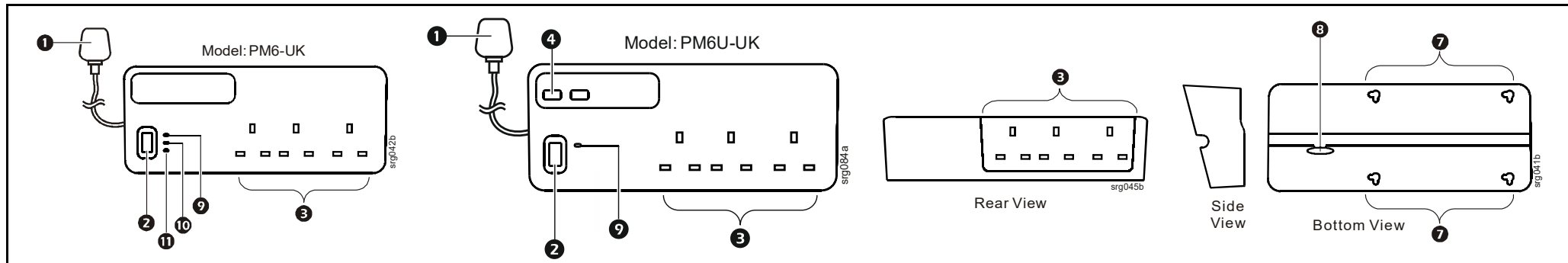
مؤشر الحمل الزائد ❶ (لا ينطبق ذلك على طرز سلسلة PM6U) - إذا أضاء المؤشر، افصل الأجهزة وانتظر حتى يخفتي المؤشر

منفذ شحن ❹ - يقوم منفذان شحن USB المناسبين بإمداد أي أجهزة مزودة بميزة USB بالطاقة بما في ذلك الهواتف الكية والأجهزة اللوحية والكاميرات الرقمية وغيرها. يتعرف الشحن الذكي على الأجهزة ويضاعف من سرعة الشحن.

موجه إدارة الأسلاك ❷ - يحافظ على اتصال أسلاك الطاقة بالوحدة بشكل أنيق ومنظم، كما يمكن أيضاً تثبيته بالحائط مع جهاز الحماية من تغيرات التيار المفاجئة **❷** (انظر أدناه).

المواصفات

PM6U	PM6	
		قواطية الدخل
	250V	
	متفدان (باجمالي 5 فولت، 2,4 أمبير)	شاحن USB / الحماية الثانوية
	50 هرتز + 5 هرتز	تردد الدخل
	13 أمبير	الحد الأقصى لتيار الخط لكل مرحلة
	2 متر (6,56 قدم)	طول السلك
	1950 جول	تصنيف جول
	> 40 ديسيبل	منع تشويش التداخل المغناطيسي (EMI) / تداخل الترددات اللاسلكية (RFI)
	110,3×271,5 ×62,0 مم(4,34×10,69×2,44)	الأبعاد (العرض× العمق× الارتفاع)



Limited Warranty

SEIT warrants its products to be free from defects in materials and workmanship under normal use and service by the original owner for the lifetime of the product, (in Germany the period is 20 years from the purchase date of the product). For units purchased and/or used in countries not belonging to the European Community, the warranty period is 3-5 years from the date of purchase. The SEIT obligation under this warranty is limited to repairing or replacing, at its sole option, any such defective products. To obtain service under warranty you must obtain a Returned Material Authorization (RMA) number from SEIT or a SEIT Service Center with transportation charges prepaid and must be accompanied by a brief description of the problem and proof of date and place of purchase. This warranty applies only to the original purchaser.

THIS POLICY IS NOT A WARRANTY. REFER TO SEIT LIMITED WARRANTY FOR INFORMATION CONCERNING THE WARRANTY FOR YOUR APC BY SCHNEIDER ELECTRIC PRODUCT. THE LIMITATIONS AND CONDITIONS CONTAINED IN THIS POICY DO NOT AFFECT THE TERMS OF THE WARRANTY.

“Equipment Protection Policy”

The policy is valid in all European Union state members. It is also valid in Norway, Switzerland, Iceland, and Liechtenstein. If your electronic equipment is damaged by power line transients on an AC power line (230V – see Note below) while directly and properly connected to a standard APC by Schneider Electric product covered by the Equipment Protection Policy (“connected equipment”), and if all the remaining conditions specified below are met, SEIT will, at SEIT’s sole option, during the period specified below only, replace the APC by Schneider Electric product and either a) pay for the repair of the connected equipment or b) reimburse you for the fair market value, as determined by the then current price list of the Boston Computer Exchange (or equivalent), of the connected equipment, in an amount not to exceed the monetary limits stated below, if SEIT determines that the damage was caused by the failure of the APC by Schneider Electric product to protect against power line transients and/or where applicable, telephone or CATV (Cable Television) line transients. Power line transients that APC by Schneider Electric products have been designed to protect against, as recognized by industry standards, include spikes and surges on AC power lines. Protection from telephone line transients applies only to APC by Schneider Electric products which offer modem or fax line protection, and in cases in which such protection is available, telephone service equipment must include a properly installed and operating “primary protection” device at the service entrance (such devices are normally added during telephone installation) in order to be covered for telephone line transients. Protection of CATV connected equipment from transients applies only to APC by Schneider Electric products which offer such protection, and in such cases, the CATV service must be properly grounded according to the codes set forth in the all applicable national and local electrical and safety codes in order to be covered for CATV transients.

Equipment Protection Policy Monetary and Period Limits:

For customers that meet the qualifications and conditions set forth in this policy, SEIT will provide reimbursements (cost of repair or fair market value) during the period limits and up to the monetary limit stated as follows:

Product	Amount	Period
PM6-UK, PM6U-UK	75,000 GBP	Lifetime

Note: “Lifetime” period is the life of the product while owned by the original purchaser (“you” or “purchaser”). Other period limitations are from the date of purchase.

Eligibility for coverage under the Equipment Protection Policy:

1. You must register your product on the APC by Schneider Electric website (<https://warranty.apc.com>) within 10 days of purchase. All information must be filled in, and you should retain a copy for your records.
2. All connected equipment must have a CE mark.
3. The APC by Schneider Electric product must be plugged into properly wired and grounded outlets; no extension cords, adapters, other ground wires, or electrical connections may be used, with the sole exception of other standard APC by Schneider Electric 230V products. The installation must not include power protection products by any manufacturer other than APC by Schneider Electric. The installation must comply with all applicable local electrical and safety codes.
4. Any claim under the Equipment Protection Policy must be made within 10 days of the day of alleged damage to the connected equipment.
5. The Equipment Protection Policy covers only those product models listed above and is valid in all European Union state members, as well as Norway, Switzerland, Iceland, and Liechtenstein.

الضمان المحدود

تضمن شركة SEIT للمشتري الأصلي أن تكون منتجاتها خالية من عيوب المواد والتصنيع في ظل الاستخدام أو الصيانة العادية طول العمر الافتراضي للمنتج (لمدة 20 عام ابتداءً من تاريخ شراء المنتج وذلك في ألمانيا). أما المنتجات التي تم شراؤها أو استخدامها في بلدان لا تنتمي إلى الاتحاد الأوروبي، فتستمر فترة ضمانها من 3-5 أعوام ابتداءً من تاريخ شراء المنتج. وبموجب هذا الضمان، يقتصر التزام شركة SEIT على إصلاح المنتجات أو استبدالها، على نفقتها الخاصة، حال وجود أي عيوب بها، وللحصول على خدمات الصيانة بموجب هذا الضمان، يجب الحصول على رقم رخصة المادة المرتجعة (RMA) من شركة SEIT أو مركز صيانة SEIT مع دفع رسوم النقل مقدماً وإرفاق الإيصال الخاص بها مع وصف مختصر للمشكلة ودليل شراء الوحدة ومكانها. مع العلم بأن هذا الضمان يطبق فقط على المستهلك الأصلي.

APC by Schneider Electric IT Customer Support Worldwide

For country specific customer support, go to the APC by Schneider Electric Web site, www.apc.com.

What is not covered under the Equipment Protection Policy:

1. DAMAGE TO ELECTRONIC EQUIPMENT RESULTING FROM TRANSIENTS ON DATA LINES IS NOT COVERED.
2. Restoration of lost data and reinstallation of software are not covered.
3. This policy does not cover damage from a cause other than AC power line transients, except for damage due to telephone line or CATV transients, which is covered only if the APC by Schneider Electric product offers such protection.
4. DAMAGE CAUSED BY FAILURE TO PROVIDE A SUITABLE INSTALLATION ENVIRONMENT FOR THE PRODUCT (INCLUDING, BUT NOT LIMITED TO, LACK OF A PROPER SAFETY GROUND).
5. Damage caused by the use of the APC by Schneider Electric product for purposes other than those for which it was designed.
6. Damage caused by accidents, or disasters such as fire, flood, or wind.
7. Damage caused by abuse, misuse, alteration, modification, or negligence.
8. This policy is null and void if, in SEIT's view, the APC by Schneider Electric product has been tampered with or altered in any way.
9. EXCEPT AS EXPRESSLY PROVIDED IN THIS POLICY, IN NO CASE SHALL SEIT BE LIABLE UNDER THE TERMS OF THIS POLICY FOR ANY DAMAGES WHATSOEVER, INCLUDING, BUT NOT LIMITED TO, DIRECT, INDIRECT, SPECIAL, INCIDENTAL, CONSEQUENTIAL, OR MULTIPLE DAMAGES ARISING OUT OF THE USE OF THE APC BY SCHNEIDER ELECTRIC PRODUCT OR DAMAGE TO THE CONNECTED EQUIPMENT, REGARDLESS OF THE LEGAL THEORY ON WHICH SUCH CLAIM IS BASED, EVEN IF ADVISED OF THE POSSIBILITY OF SUCH DAMAGE. SUCH DAMAGES INCLUDE BUT ARE NOT LIMITED TO, LOSS OF PROFITS, LOSS OF SAVINGS OR REVENUE, LOSS OF USE OF THE APC BY SCHNEIDER ELECTRIC PRODUCT OR THE CONNECTED EQUIPMENT OR ANY ASSOCIATED EQUIPMENT, LOSS OF SOFTWARE, COST OF CAPITAL, COST OF ANY SUBSTITUTE EQUIPMENT, FACILITIES OR SERVICES, DOWNTIME, THE CLAIMS OF THIRD PARTIES, INCLUDING CUSTOMERS, AND INJURY TO PROPERTY.

Submitting an Equipment Protection Policy Claim:

1. If all of the conditions for coverage are satisfied, call the SEIT customer service department (see list at the end of the document for respective phone numbers) and obtain an EPP RMA (Equipment Protection Policy Returned Material Authorization) number. SEIT will forward you an Equipment Protection Policy claim form, which must be completed and filed within 30 days.
2. Mark the Equipment Protection Policy RMA number on the product you are returning.
3. Pack the APC by Schneider Electric product in its original packaging (or request packing materials from SEIT if the packaging has been discarded). Enclose the completed Equipment Policy claim form and a copy of your sales receipt for the APC by Schneider Electric product in box.
4. Mark the EPP RMA number clearly on the outside of box.
5. Ship the product (one way shipping charges paid by you) to:

American Power Conversion, Technical Support, Ballybrit Business Park, Galway, Ireland
Tel. +353 91 702000.
6. SEIT will evaluate the product to determine its level of functionality, and will examine the product for evidence of damage from AC line transients (telephone line or CATV transients, if applicable). (A) If SEIT's evaluation provides no evidence of damage from power line transients (telephone line or CATV transients, if applicable), SEIT will send to the customer (i) a report summarizing the tests performed and (ii) a rejection of claim notice. (B) If the APC by Schneider Electric product shows evidence of damage from power line transients (telephone line or CATV transients, if applicable), SEIT will request that all connected equipment for which an Equipment Protection Policy claim has been submitted, be sent for evaluation to either SEIT or an authorized service center. If it is determined that the connected equipment has been damaged from AC power line transients (telephone line or CATV transients, if applicable), SEIT will, in its discretion, either authorize you to have the equipment repaired or reimburse you for the fair market value of the damaged equipment, up to the monetary limits stated above.
7. If you are authorized by SEIT to have the connected equipment repaired, the repair must be performed at a service center that is authorized by the manufacturer of the connected equipment. SEIT reserves the right to contact the authorized service centre directly to discuss repair costs and damage to the connected equipment to determine if it was caused by AC power line transients (telephone line or CATV transients, if applicable) and the right to request that the service centre forward the connected equipment or components to SEIT for inspection.
8. SEIT will, after determining that the damage was caused by the failure of the APC by Schneider Electric product to protect against AC power line transients (telephone line or CATV transients, if applicable), issue payment to you, in its sole discretion, for either costs of repair of the fair market value of the connected equipment, up to the monetary limits stated above. SEIT reserves the right to require you to transfer title and deliver the connected equipment to SEIT if it chooses to reimburse you for the fair market value of the connected equipment.
9. Unless modified in a writing signed by SEIT and you, the terms of this policy are understood to be the complete and exclusive agreement between the parties, superseding all prior agreements, oral and written, and all other communications between the parties relating to the subject matter of this agreement. No employee of APC by Schneider Electric or any other party is authorized to make any representations beyond those made in this agreement concerning the Equipment Protection Policy.

Note: Connect the SurgeArrest directly to the easily accessible and nearest wall socket/outlet.

Charger specifications applicable to PM6U-UK:

Input Voltage	250 V~
Input AC frequency	50 Hz
Output voltage	5.0 V
Output current	2.4 A
Output power	12.0 W
Average active efficiency	83.56%
Efficiency at low load (10%)	73.58%
No-load power consumption	0.093W

Schneider Electric Industries SAS
35 rue Joseph Monier
Rueil Malmaison 92500, France