


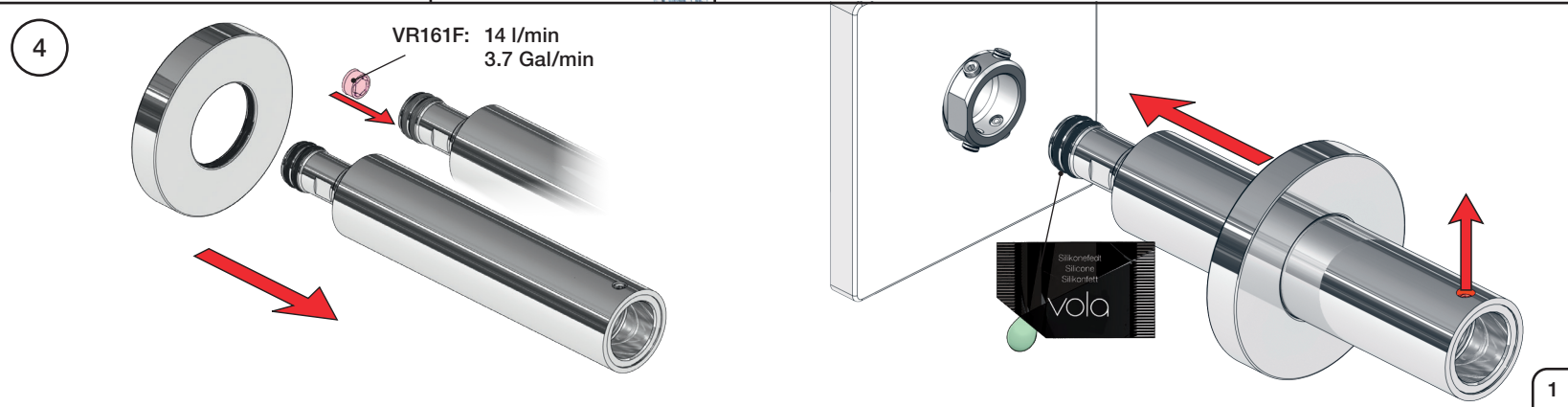
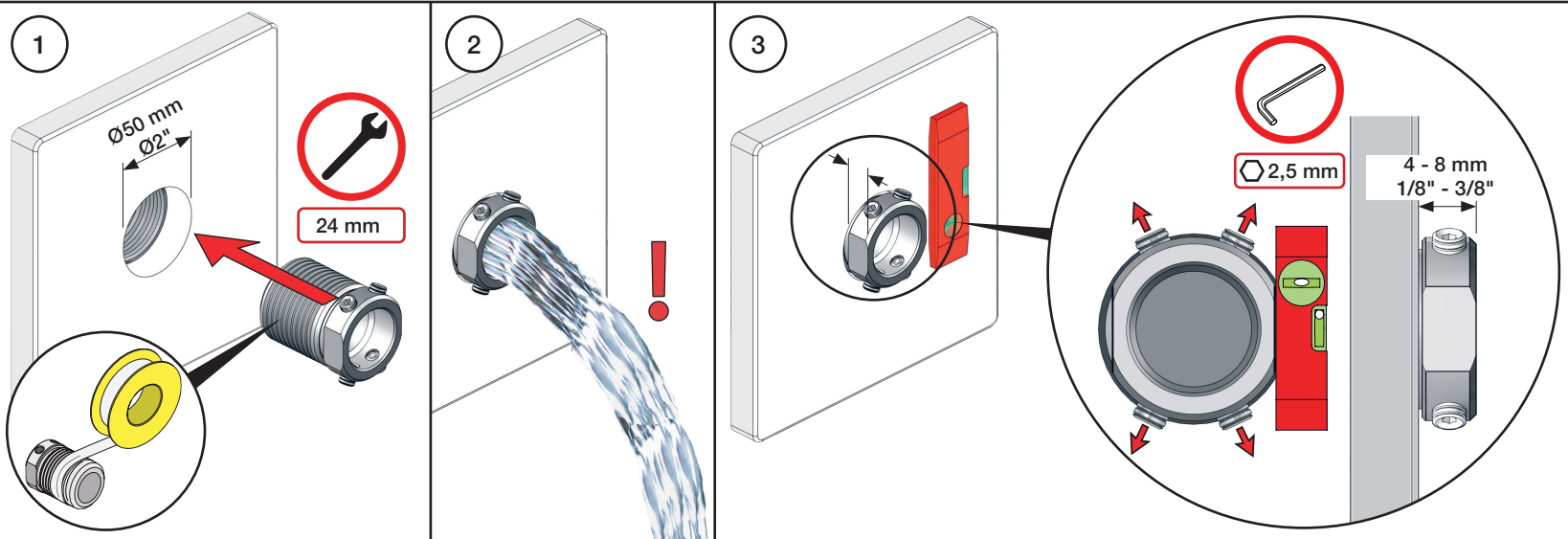
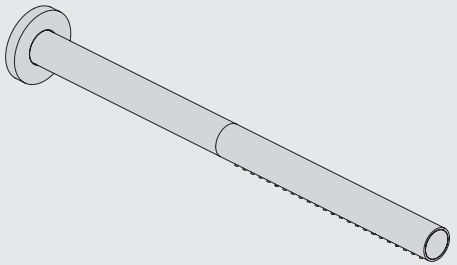
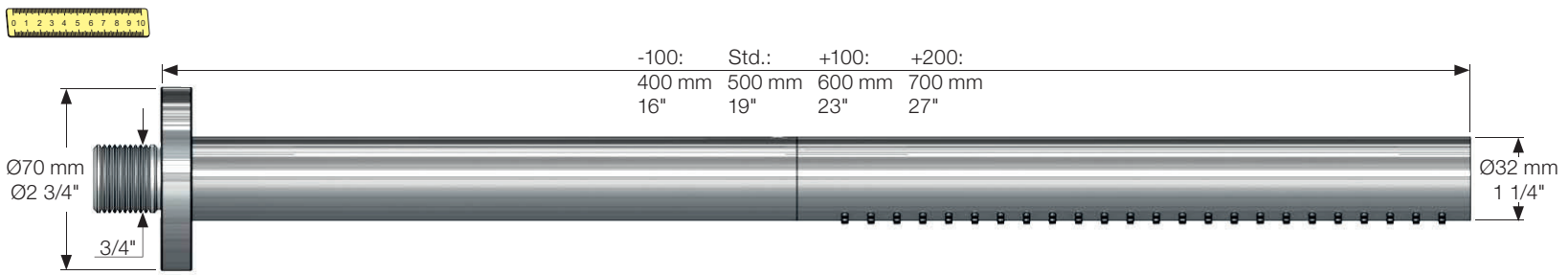
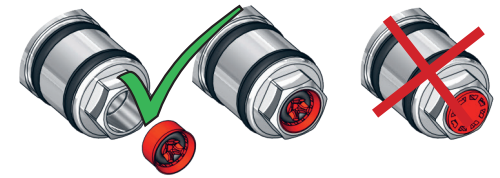
Data	Bar:	1	2	3	4	5
080ST	(l/min)	14.4	20.4	25	29	32.3
	(Gal/min)	3.8	5.4	6.6	7.7	8.5

 Max. 65°C, 150°F

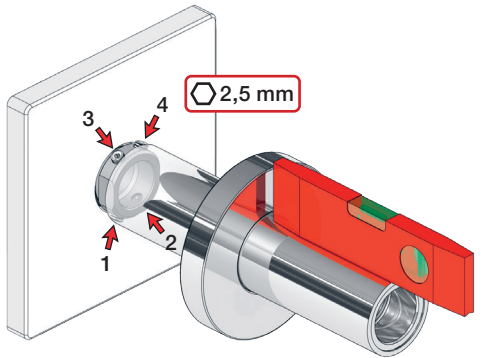


**VR161:**

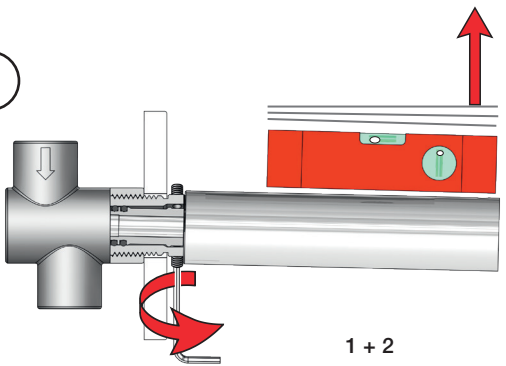
VR161K: 7 l/min - 1.8 Gal/min  
 VR161D: 9 l/min - 2.5 Gal/min  
 VR161F: 14 l/min - 3.7 Gal/min



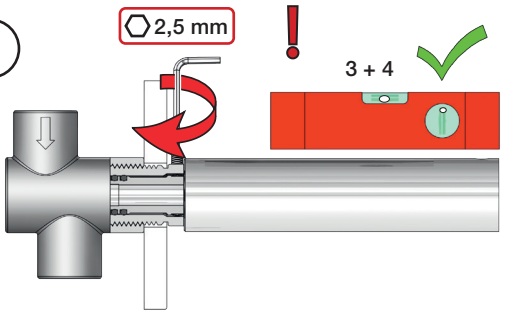
5



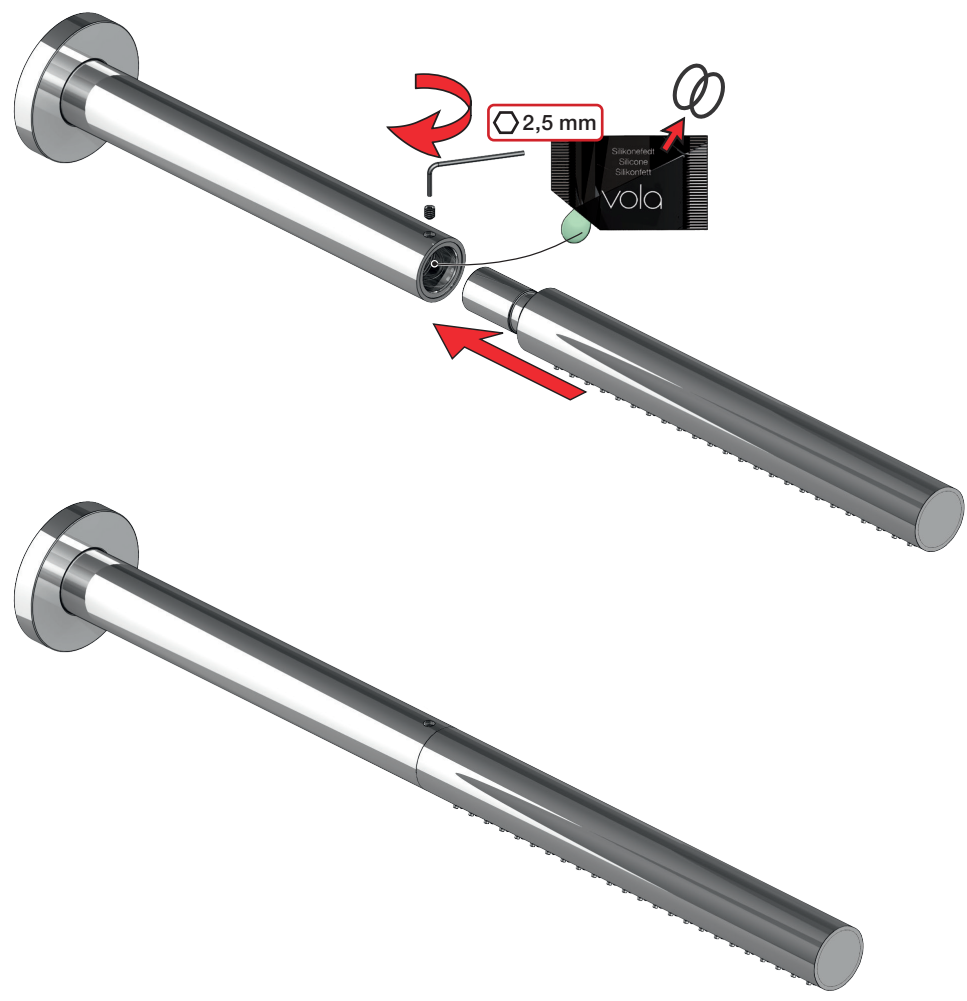
6



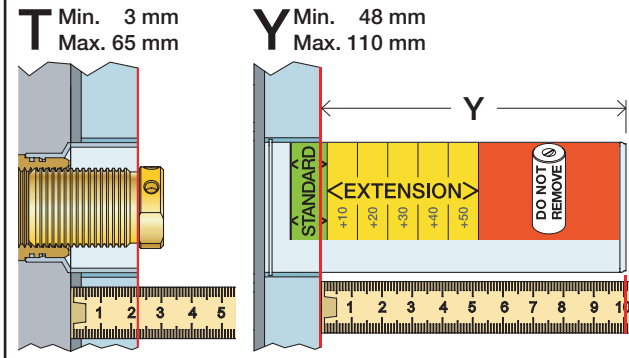
7



8

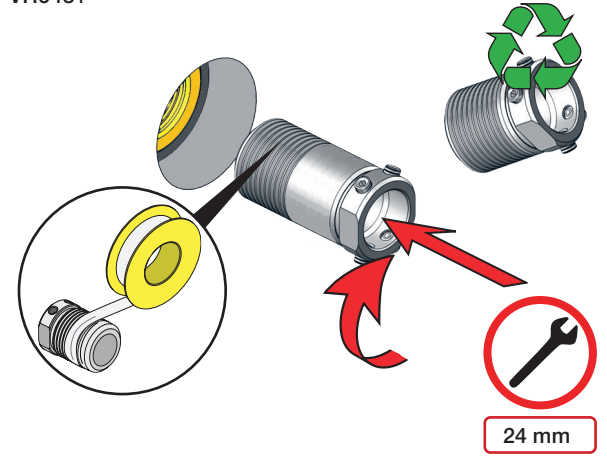


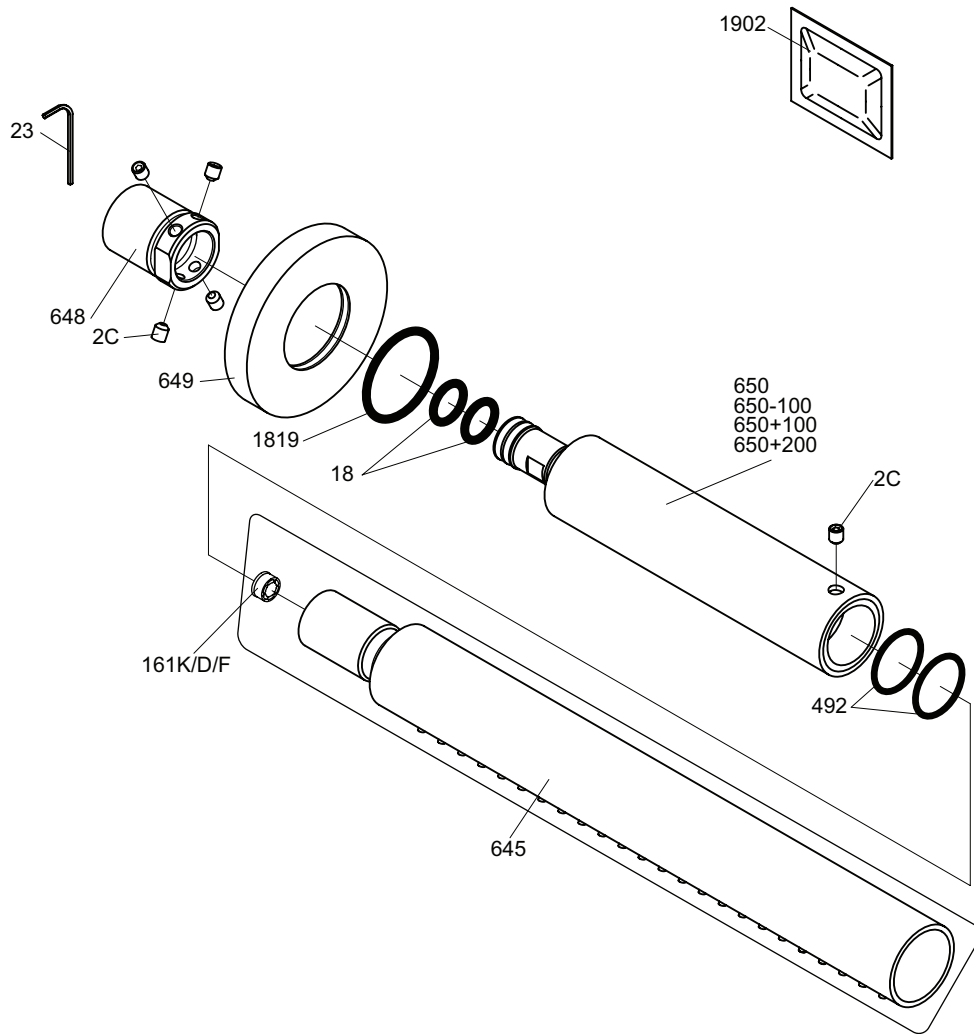
Extension Verlängerung Forlængerdele Förlängning Verlangstücken Modification



T: VR648	Y	
3 - 19 mm	110 - 98 mm	Std.
17 - 28 mm	98 - 88 mm	+10
27 - 38 mm	88 - 78 mm	+20
37 - 48 mm	78 - 68 mm	+30
47 - 58 mm	68 - 58 mm	+40
57 - 68 mm	58 - 48 mm	+50

VR648+





vola  
Lunavej 2  
DK-8700 Horsens  
Tlf : + 45 7023 5500  
Fax: + 45 7023 5511  
sales@vola.com  
www.vola.com

## VOLA 080ST

Date  
Oct. 16

Rev.  
1

Sheet  
SB 17.7