

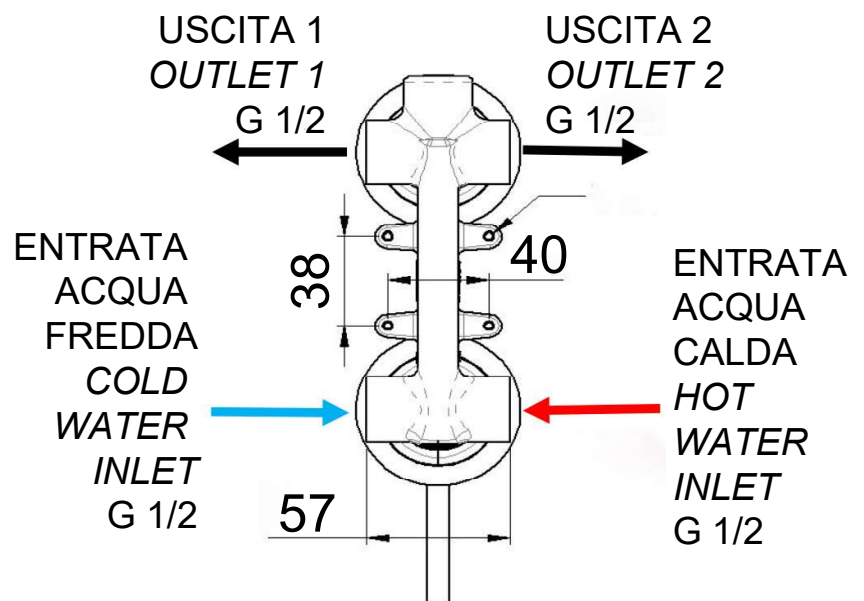
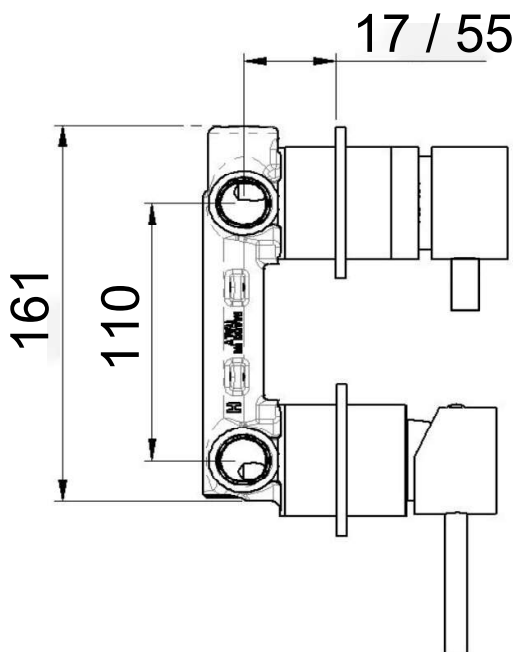
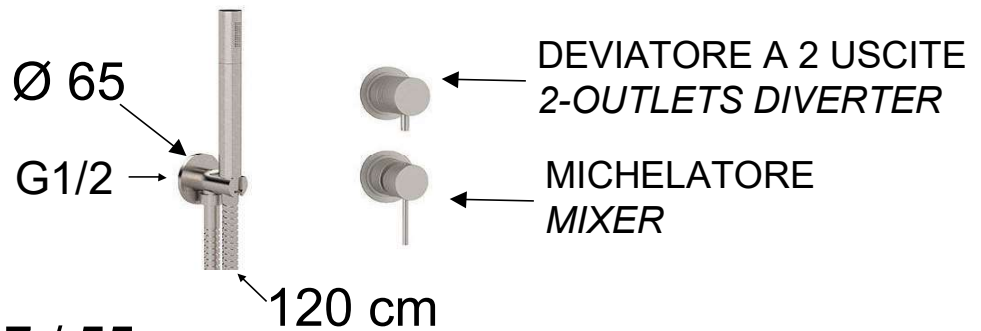


DANIEL

SCHEDA TECNICA TECHNICAL FEATURES

ART. COD.

SSTX615ZD2P7820



MATERIALI / MATERIALS

ACCIAIO INOX / STAINLESS STEEL AISI 304
PVC