

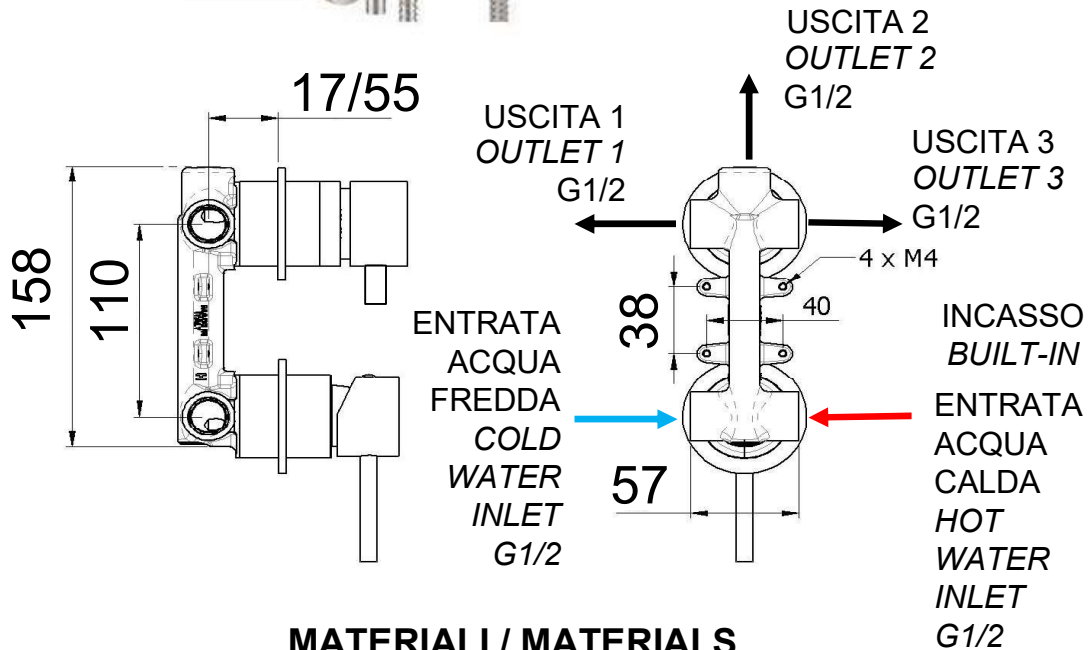


DANIEL

SCHEDA TECNICA TECHNICAL FEATURES

ART. COD.

SSTX614ZPSSCA



MATERIALI / MATERIALS

ACCIAIO INOX / STAINLESS STEEL
OTTONE / BRASS