

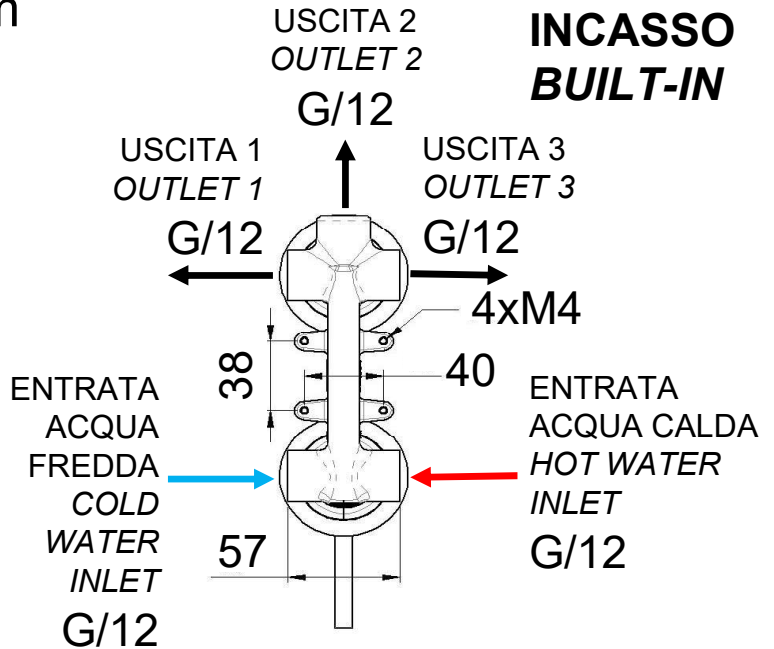
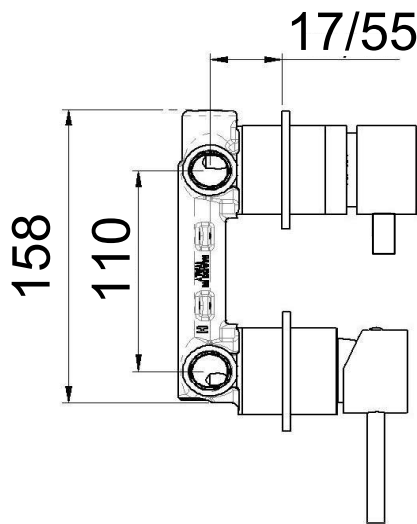
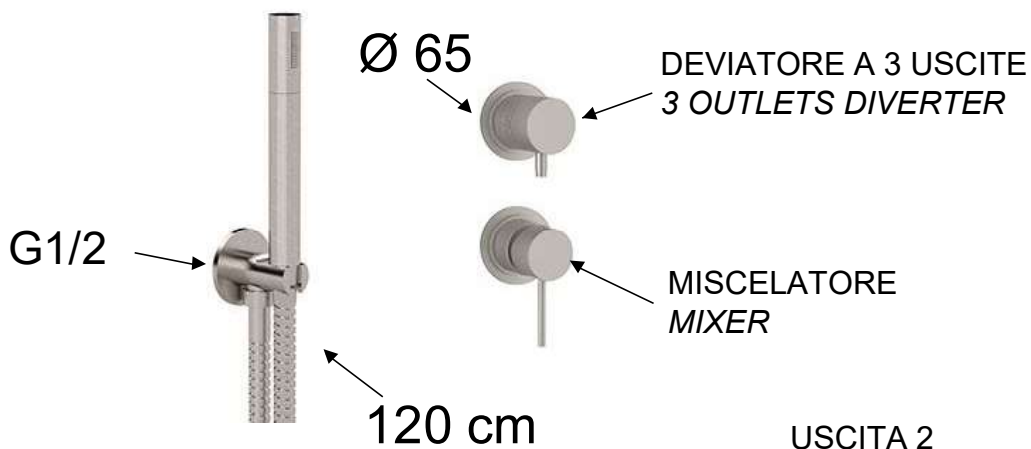


DANIEL

SCHEDA TECNICA TECHNICAL FEATURES

ART. COD.

SSTX615ZPSSCA



MATERIALI / MATERIALS

ACCIAIO INOX / STAINLESS STEEL