



# IB RUBINETTI

Collection

## LOVEME

Article

### LM320

Description

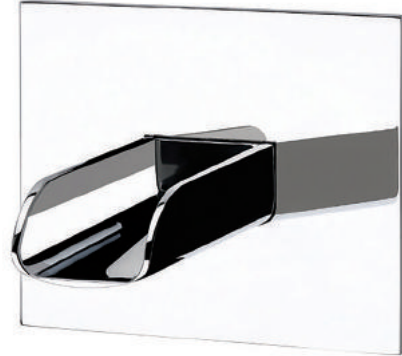
**Wall mounted spout**

Box Dimensions

**175 x 125 x 90 mm**

Weight

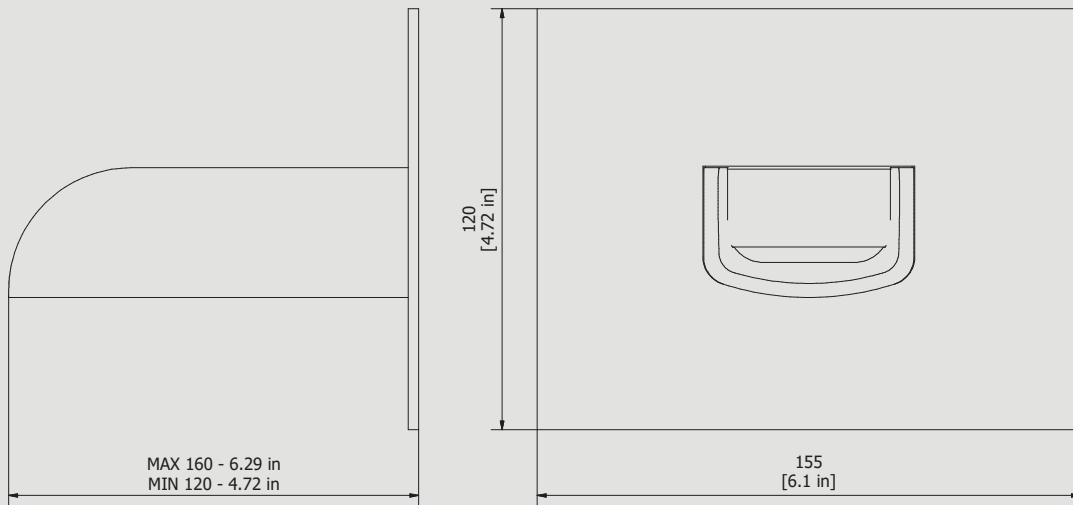
**1.8 kg**



Finishes

- **CC** CHROME
- **CF** BLACK CHROME
- **OO** GOLD
- **BB** ANTIQUE BRONZE
- **SS** BRUSHED NICKEL
- **CS** BRUSHED BLACK CHROME
- **BO** MATT WHITE
- **NP** MATT BLACK
- **IS** BRUSHED PALE GOLD
- **OS** BRUSHED GOLD
- **II** PALE GOLD
- **RR** ANTIQUE COPPER
- **ORS** ROSE GOLD
- **ON** NATURAL BRASS
- **SR** BRUSHED ROSE GOLD
- **PL** PLATINUM

Dimensions



Cartridge

Threaded fitting

**G1/2" male**

Aerator

Flow Rate (+/-10%)

**1 BAR  
6.5 l/min**

**2 BAR  
8 l/min**

**3 BAR  
8 l/min**

Production

**Main body is a single casted pieces**

Material

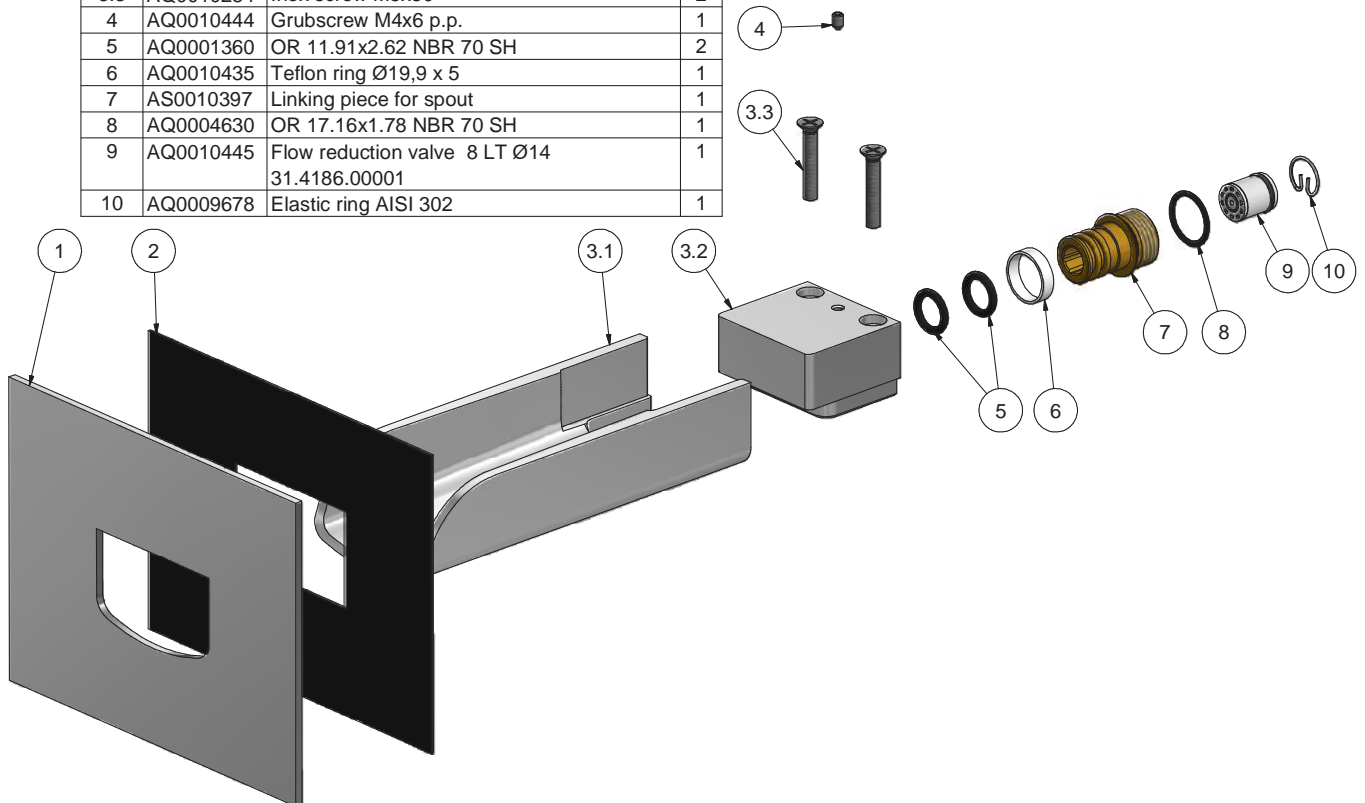
**BRASS**  
According to CuZn35Pb2Al-B (CB752S)  
Max Lead content: 1.36%





# IB RUBINETTI

Elenco parti			
ELEM	CODICE	NUMERO DI MAGAZZINO	QT
1	AC0010236	Plate 120x155	1
2	AQ0010296	Rubber packing double-sided tape 118x153	1
3	CP1680CC-1	Preassembled recessed mouth	1
3.1	CC0001680	Water fall spout-out 60x37x160	1
3.2	CC0001810	Plug for waterfall spout-out 49.9x45 H29.5	1
3.3	AQ0010284	Inox screw M5x30	2
4	AQ0010444	Grubscrew M4x6 p.p.	1
5	AQ0001360	OR 11.91x2.62 NBR 70 SH	2
6	AQ0010435	Teflon ring Ø19,9 x 5	1
7	AS0010397	Linking piece for spout	1
8	AQ0004630	OR 17.16x1.78 NBR 70 SH	1
9	AQ0010445	Flow reduction valve 8 LT Ø14 31.4186.00001	1
10	AQ0009678	Elastic ring AISI 302	1



**WARRANTY**

All IB Rubinetterie SpA products are warranted for 10 years from the date of purchase, for the following cases:

- Defects of casting, porosity and chrome plating.
- Operating defects caused by incorrect fabrication.

The warranty provides for repair or replacement of products with fabrication defects recognized by our technical office. There is no other type of compensation anche the merchandise must be returned FOB our warehouse. The warranty only cover surface defects (scatches, dings, etc.) on fitting that have not been installed and used, returned in its original packaging with all components. O-ring, gasket seals and components subject to wear proportional to use are warranted for 2 years.

**The warranty is void in the following cases:**

Error installing and putting the product into service.

Deterioration of finished surfaces due to use of cleaning products containing acids or abrasive substances. Deterioration of surface with finishes other than chrome plating. Their durability is, in fact, dependent on the user's care and gentleness of use.

Deterioration of the fitting due incorrect installation.

Improper repairs and maintenance performed without the company's prior authorization.

The warranty from IB Rubinetterie SpA is not renewable.

**Cleaning**

We recommended cleaning the finish surfaces with water and soap, using a soft cloth.

Do not use detergents that contain hydrochloric acid or abrasive substances.

