

Collection

## AQUA

Article

### EUA122MR\_2

Description

#### Plate and handles trimkit

Box Dimensions

420x180x90 mm

Weight

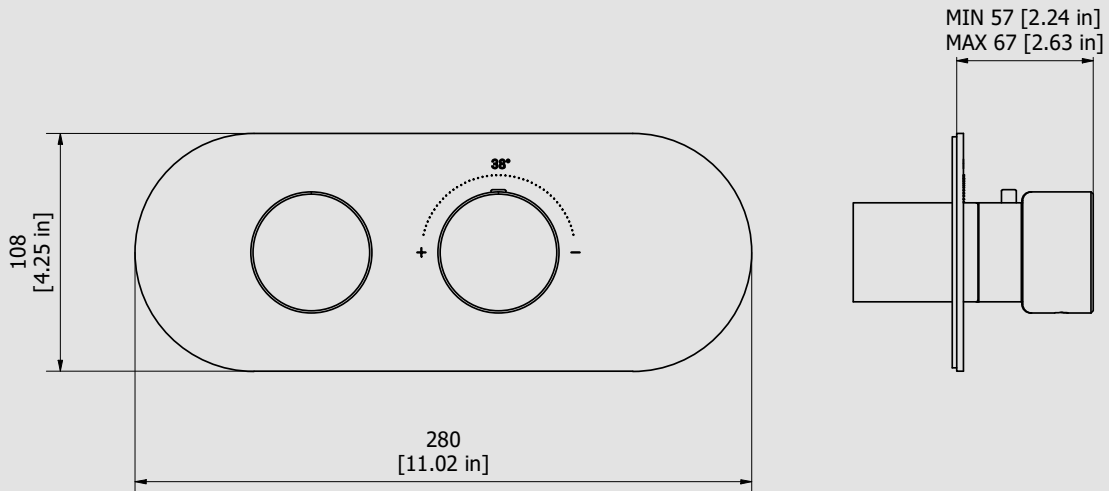
2.8 kg

Finishes

- **CC**  
CHROME
- **PL**  
PLATINUM
- **SS**  
BRUSHED  
NICKEL
- **ON**  
NATURAL  
BRASS
- **BO**  
MATT  
WHITE
- **NP**  
MATT  
BLACK
- **CF**  
BLACK  
CHROME
- **CS**  
BRUSHED  
BLACK  
CHROME
- **II**  
PALE  
GOLD
- **IS**  
BRUSHED  
PALE GOLD
- **RS**  
ROSE  
GOLD
- **SR**  
BRUSHED  
ROSE GOLD
- **OO**  
GOLD
- **OS**  
BRUSHED  
GOLD
- **RR**  
ANTIQUÉ  
COPPER
- **BB**  
ANTIQUÉ  
BRONZE



Dimensions



Cartridge

-

Threaded fitting

-

Aerator

-

Flow Rate (+/-10%)

**1 BAR**  
l/m

**2 BAR**  
l/m

**3 BAR**  
l/m

Production

Main body is a machined from a solid pieces

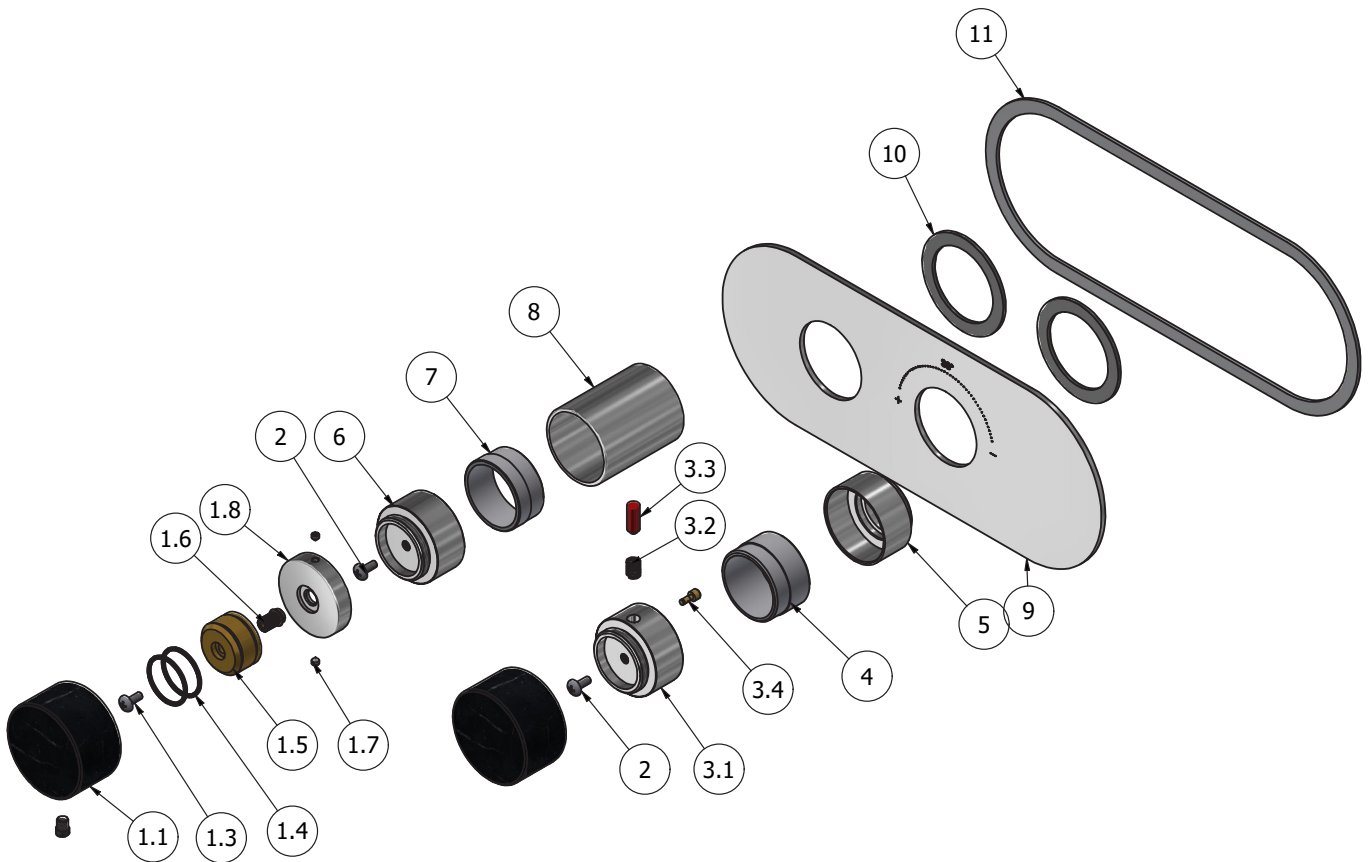
Material

**BRASS**  
According to CuZn39Pb3 (CW614N)  
Max Lead content: 2.5%



WE ARE IB

Parts list			
ELEM.	CODE	DESCRIPTION	QTÀ
1	CP12526CC-2	Black marble handle	2
1.1	AQ0014947	Marble cover Ø55 H32	1
1.2	AQ0015558	Screw Ø7.1 M6 H9 dark gray	1
1.3	AQ0002160	Screw M4x10	1
1.4	AQ0006586	OR 25.12x1.78 NBR 70 SH	2
1.5	AS0012526	Handle Ø29.9 H19	1
1.6	AS0011128	Broach for thermostatic handle	1
1.7	AQ0001082	Grubscrew M4x4 cone point	2
1.8	AC0010828	Handle Ø45 Ø15.7 M H9.6	1
2	AQ0002160	Screw M4x10	2
3	CP0007043	Thermo regulaton handle body	1
3.1	AC0007043	Handle termo regulation	1
3.2	AQ0008086	Spring for thermo plug Ø6 F0.5 L8.5	1
3.3	AQ0008085	Red plug for thermo handle	1
3.4	AS0007045	Pin for thermo lever button Ø6 H11.6	1
4	AS0013025	Cetering bush Ø40.95 Ø41.95 H25	1
5	AC0011535	Support Ø45 H25.5 M36x1.5	1
6	AC0007042	Capacity handle body	1
7	AS0013024	Centering bush Ø40.95 Ø40.35 H18.5	1
8	AC0011537	Flange for regulation tap Ø45 H56.7	1
9	ACGC12317_O	Plate 280x108x3 Ø45.5 horizontal int 85 °C	1
10	AQ0013943	Rubber packing Ø60xØ45 H2	2
11	AQ0014225	Rubber packing double-sided tape 275x105x2	1





## WARRANTY

All IB Rubinetterie SpA products are warranted for 10 years from the date of purchase, for the following cases:

- Defects of casting, porosity and chrome plating.
- Operating defects caused by incorrect fabrication.

The warranty provides for repair or replacement of products with fabrication defects recognized by our technical office. There is no other type of compensation anche the merchandise must be returned FOB our warehouse. The warranty only cover surface defects (scatches, dings, etc.) on fitting that have not been installed and used, returned in its original packaging with all components. O-ring, gasket seals and components subject to wear proportional to use are warranted for 2 years.

### The warranty is void in the following cases:

Error installing and putting the product into service.

Deterioration of finished surfaces due to use of cleaning products containing acids or abrasive substances. Deterioration of surface with finishes other than chrome plating. Their durability is, in fact, dependent on the user's care and gentleness of use.

Deterioration of the fitting due incorrect installation.

Improper repairs and maintenance performed without the company's prior authorization.

The warranty from IB Rubinetterie SpA is not renewable.

### Cleaning

We recommended cleaning the finish surfaces with water and soap, using a soft cloth.

Do not use detergents that contain hydrochloric acid or abrasive substances.

