

SET KARTELL BY LAUFEN

Floorstanding WC combination rimless

82433.7



TECHNICAL DATA

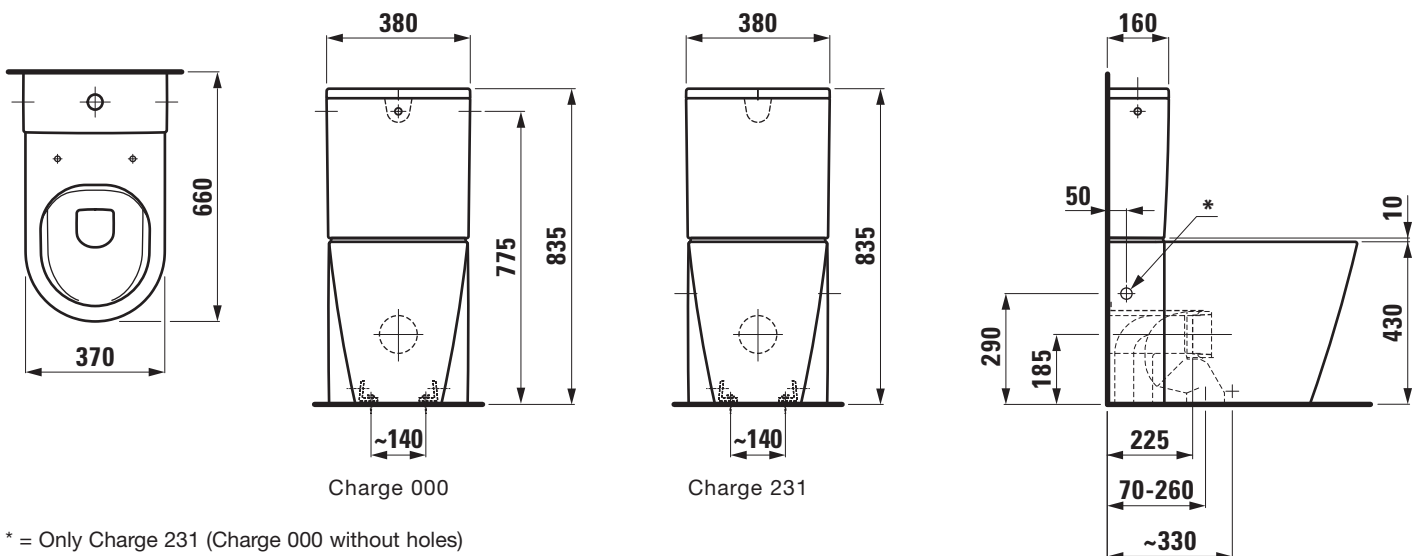
| | |
|-----------------------|---|
| Order no. | 82433.7 |
| Certified to | EN 997 / EN 33 |
| Specification | rimless Washdown for 5/3-l-flush Charge 000 – 2 fixing holes, without lateral holes |
| Special specification | Charge 231 – 2 fixing holes, with lateral holes |
| Outlet | horizontal VARIO, vertical 70 - 260 mm |
| Weight | 33,5 kg |
| Accessories excl. | Charge 000 – Cistern, order no. 82933.1, 82933.2 Charge 231 – Cistern, order no. 82933.3, 82933.5 WC seat and cover, order no. 89133.2 WC seat and cover with automatic lowering system, order no. 89133.3 |
| Mounting acc. incl. | Fixing set, order no. 89175.7 |

| | |
|---------------------|--|
| Mounting acc. excl. | for VARIO-outlet 70 - 205 mm LAUFEN-connection, order no. 89009.2 for VARIO-outlet 220 - 260 mm only LAUFEN-connection, order no. 89902.5 |
| Colours | see colour table |

SPECIFICATION TEXT

Floorstanding WC pan rimless washdown KARTELL BY LAUFEN, sanitary ceramic, for cistern, EN 997, EN 33 5/3-l-flush, dimensions 370 x 660 x 440 mm outlet horizontal, VARIO vertical 70 - 260 mm back to wall, concealed fixation, 2 fixing holes
Special feature: rimless, concealed surfaces directing water are fully glazed throughout, vacuum checked
Further options / accessories: Surface refinement LCC (only white), 2 lateral holes (option 231), cistern 82933.1 (option 000), 82933.1 (option 231), WC seat and cover 89133.2, WC seat and cover with automatic lowering 89133.3
Order no. 82433.7

TECHNICAL DRAWINGS / S 1 : 20



* = Only Charge 231 (Charge 000 without holes)