

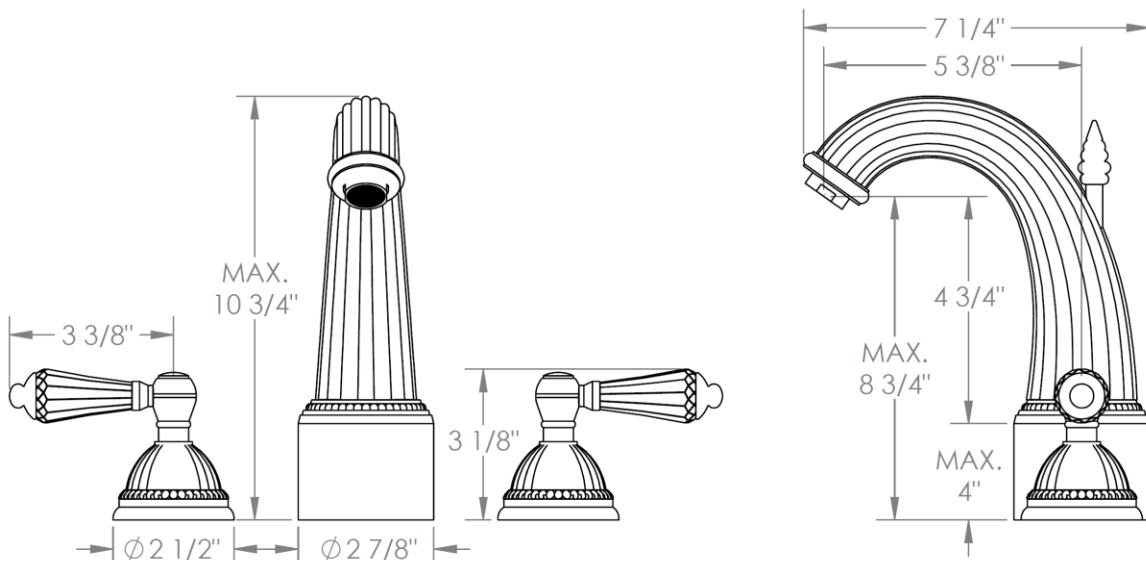
180-2X-__

Deck Mounted 3 Hole Extended Lavatory Set

Includes MPU7 pop-up drain

Flow Rate: 1.2 GPM

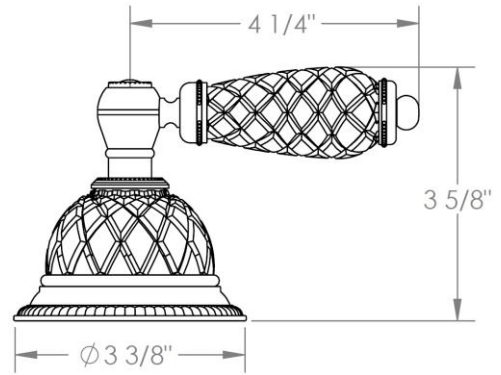
Note: Please specify up to 4" spout extension when ordering



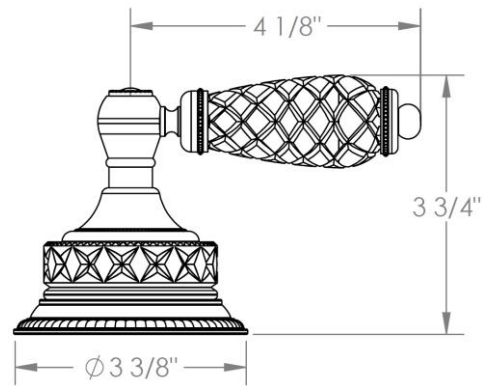
Meets the applicable requirements of ASME A112.18.1-2005/CSA B125.1-05, entitled "Plumbing Supply Fittings"

HANDLE TRIM OPTIONS

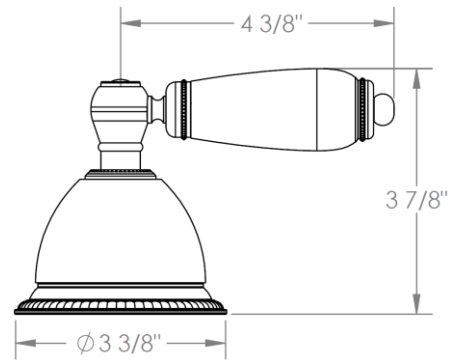
AA - VENICE



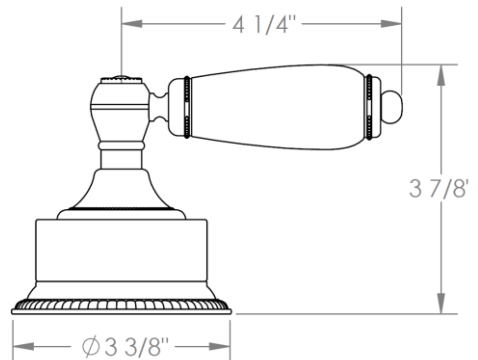
BB - GENOA



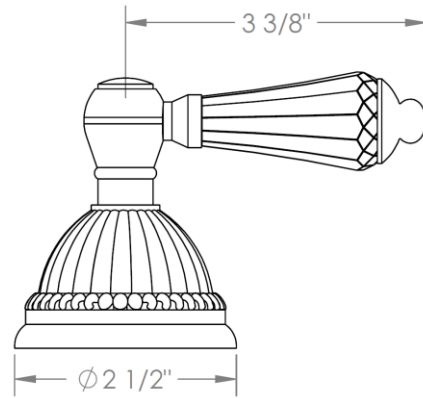
CC - POMPEI



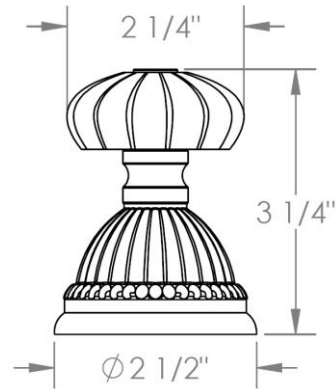
DD - NAPLES



SWU - FLORENCE



T - TUSCANY



U- BOLOGNA

