

EDA102



Collection: TERRACE

Finish*:



00 - White

Main features:



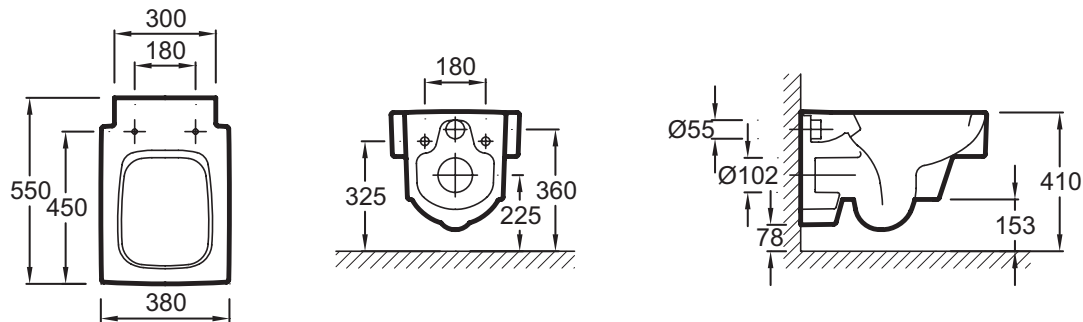
Features

- **WEIGHT:** 25.3 kg
- **INSTALLATION TYPE:** Wall-hung
- **HEIGHT:** Adjustable from 38 to 50 cm
- **RIM:** With rim
- Concealed fixings supplied
- Order toilet seat E4900 separately
- **MATERIAL:** Ceramic
- **VOLUME OF WATER:** 2.6/4 L and 3/6 L
- **RIM TYPE:** Rimless
- **PRODUCT INCLUDED:** (Seat not included)
- Water-saving 2.6/4 L dual flush or standard 3/6 L dual flush

Consumer benefits

- **DESIGN UNIQUE:** Esthetic, elegant, precise geometrics, specific to contemporary design, displayed in the toilet rounding out the Terrace range of washstations and cabinets
- **PERFORMANCE:** Glazed, closed rim for better hygiene and enhanced rinse and flush efficiency, low flush 2.6/4 L
- **FAST, EASY CLEANING:** Back-to-wall toilet and concealed fixings for total visibility and accessibility
- **TOILET SEAT:** Removable for access to rarely-cleaned areas, fitted with a damper for sound comfort.

Technical drawing



Product Specification: Wall-hung WC pan. EDA102. Collection: TERRACE. WEIGHT: 25.3 kg. MATERIAL: Ceramic. INSTALLATION TYPE: Wall-hung. VOLUME OF WATER: 2.6/4 L and 3/6 L. HEIGHT: Adjustable from 38 to 50 cm. RIM TYPE: Rimless. RIM: With rim. PRODUCT INCLUDED: (Seat not included). Concealed fixings supplied. Water-saving 2.6/4 L dual flush or standard 3/6 L dual flush. Order toilet seat E4900 separately.

**Due to possible variations in computer and printer calibrations, technical factors and certain finish characteristics, the colors you see may not accurately portray the actual colors and are provided as a guide only.*