

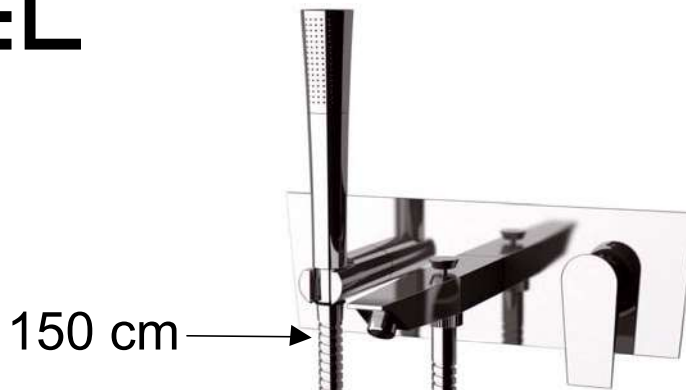


DANIEL

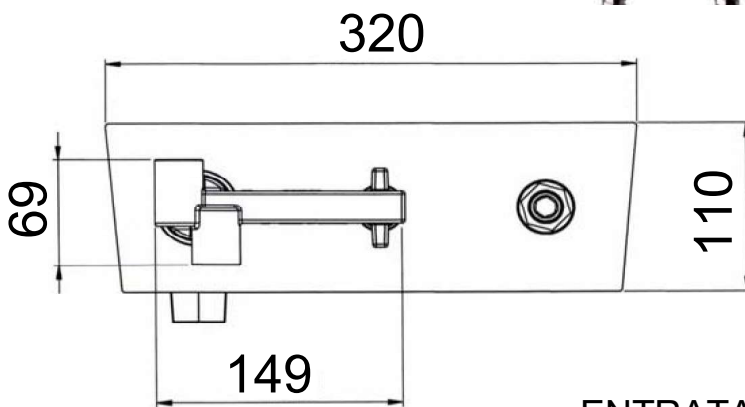
SCHEDA TECNICA TECHNICAL FEATURES

ART. COD.

DV652



150 cm

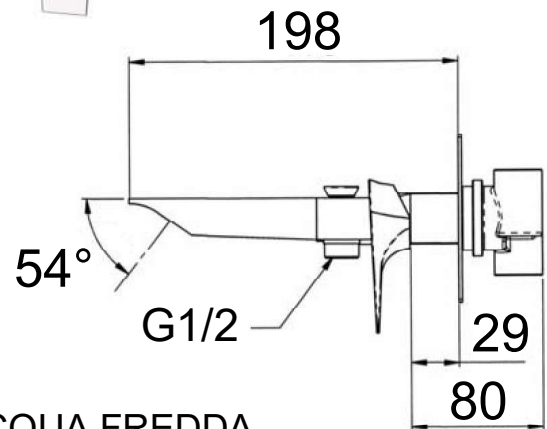


320

69

110

149



198

54°

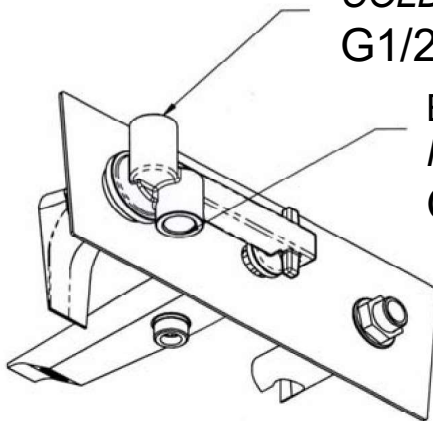
G1/2

29

80

ENTRATA ACQUA FREDDA
COLD WATER INLET
G1/2

ENTRATA ACQUA CALDA
HOT WATER INLET
G1/2



MATERIALI / MATERIALS

OTTONE CROMATO / CHROME PLATED BRASS

CROMATURA / CHROME PLATING

UNI EN 248

Via Leonardo da Vinci 53 20062 Cassano d'Adda (MI) Italy Tel. +39-0363 62651
info@daniel.it www.daniel.it