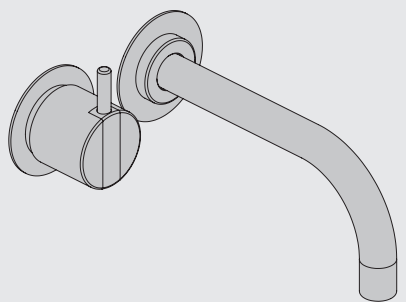


VOLA 100, 100X, 200, 200V, 300
 VOLA 400DV, 400, 400V, 400N, 400NV, 400T
 VOLA 400TV, 400F, 400FV, 400R, 400RV
 VOLA 2100, 2100X, 2200, 2200V, 2300, 2400
 VOLA 2400V, 2400N, 2400NV, 2400T, 2400TV
 VOLA 2400F, 2400FV, 2400R, 2400RV



Fitting instruction Monteringsvægledning
 Montageanleitung Montage hanledning
 Monteringsvejledning Manuel de montage



www.vola.com
 100-2100_V2_40998502

vola



| | L | L1 | L2 | H | H1 | D |
|--|-------------------|---------------|-------------------|-----------------|------------------|-----------------|
| 100, 100X, 200V, 300, 400V, 400DV 2100, 2100X, 2200V, 2300, 2400V | 395 mm 15 1/2" | 264 mm 10" | 268 mm 10 1/2" | | | |
| 400NV, 400TV 2400NV, 2400TV | 490 mm 19 1/2" | 359 mm 14" | 367 mm 14 1/2" | 95 mm 3 3/4" | 170 mm 6 3/4" | 70 mm 2 3/4" |
| 400FV, 400RV 2400FV, 2400RV | 570 mm 23" | 439 mm 17" | 447 mm 17 5/8" | | | |

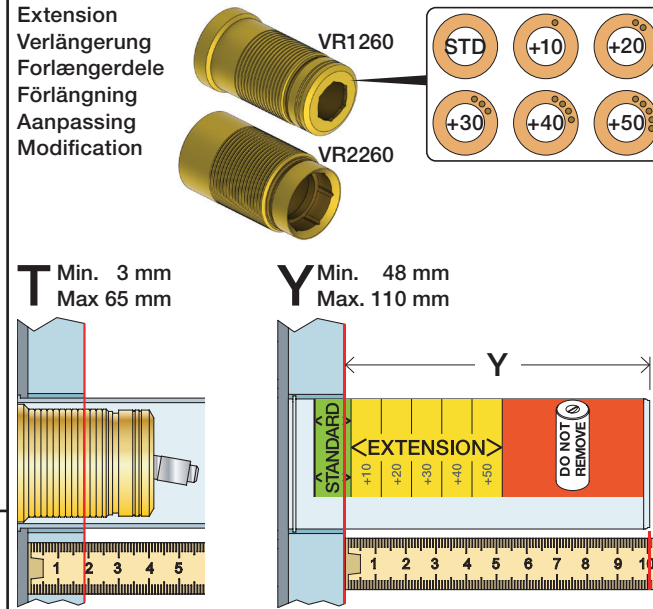
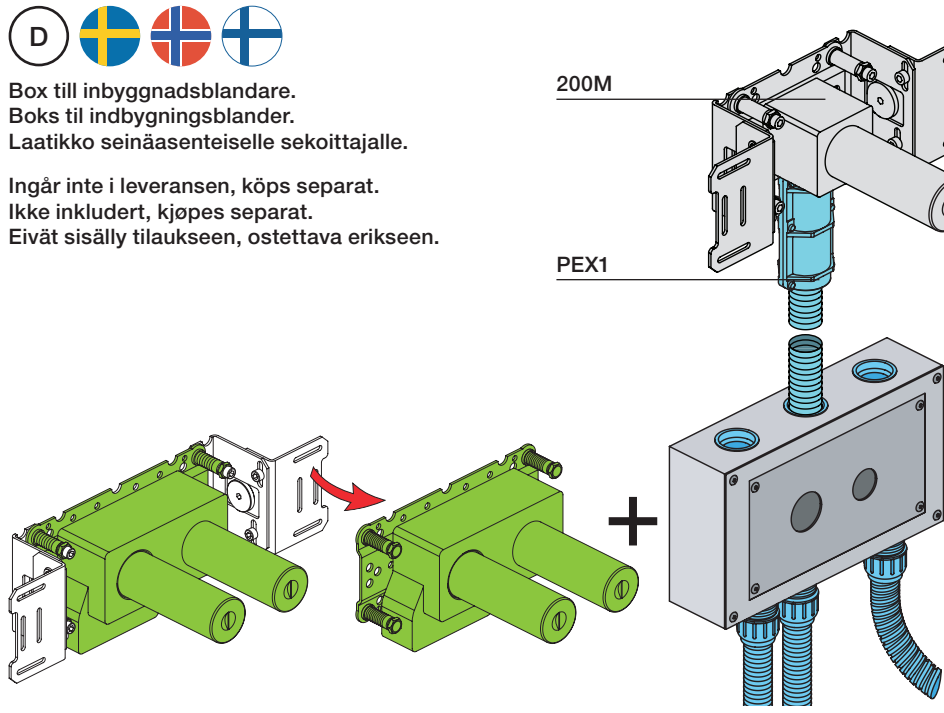
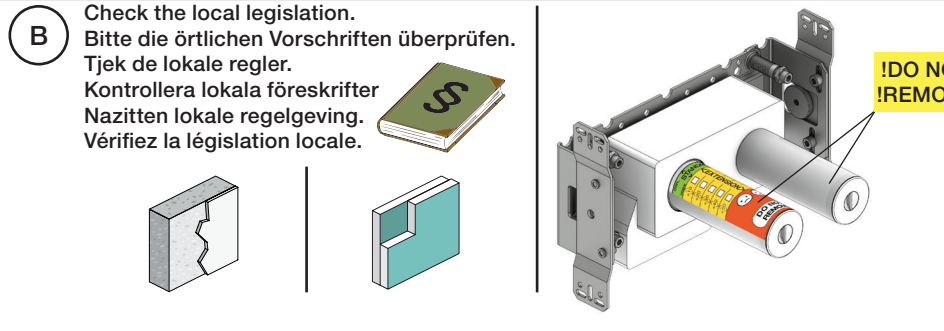


VR968: To be ordered separately.
 Werden separat bestellt.
 Bestilles separat.
 Beställs separat.
 Apart te bestellen.
 À commander séparément.

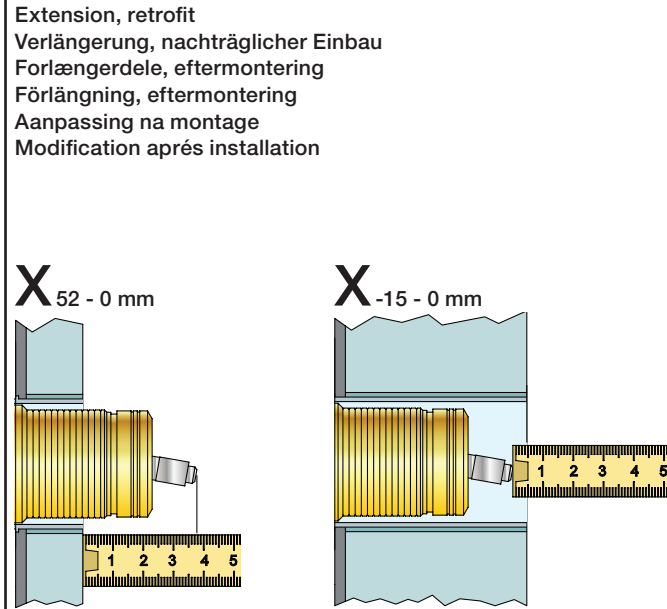
A Data, 3 Bar/43.5 Psi:

| | l/min. | Gal/min. |
|--------|--------|----------|
| 100: | 18,3 | 4.8 |
| 400V: | 15,6 | 4.1 |
| 2100: | 25,2 | 6.7 |
| 2400V: | 22,2 | 5.9 |

Max. 65°C, 150°F
 Max.: 10 Bar/145 psi



| T | Y | VR1260/2260/1400/2019 |
|------------|-------------|-----------------------|
| 3 - 15 mm | 110 - 98 mm | Std. |
| 15 - 25 mm | 98 - 88 mm | +10 |
| 25 - 35 mm | 88 - 78 mm | +20 |
| 35 - 45 mm | 78 - 68 mm | +30 |
| 45 - 55 mm | 68 - 58 mm | +40 |
| 55 - 65 mm | 58 - 48 mm | +50 |

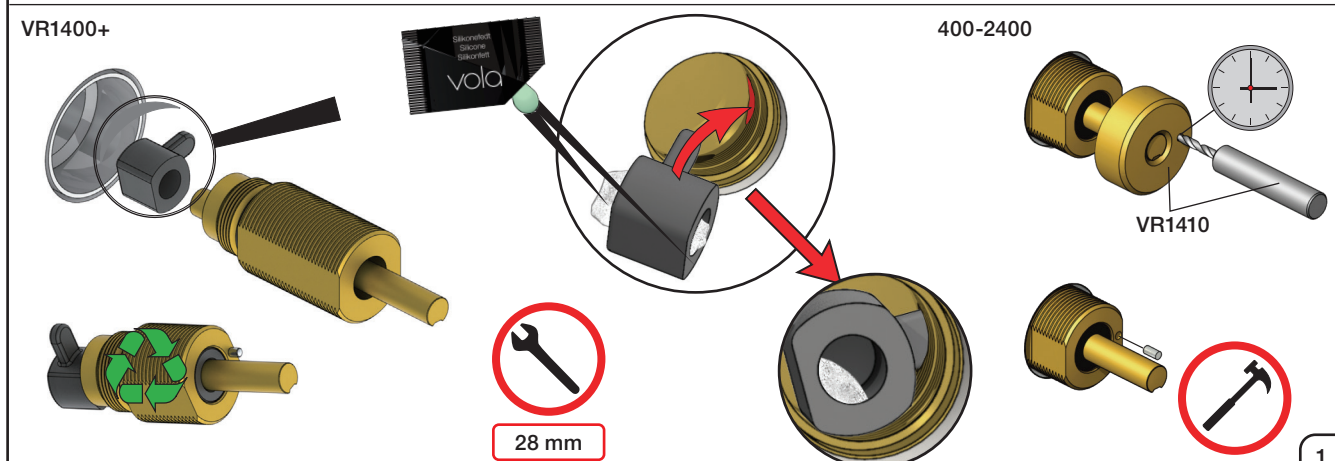
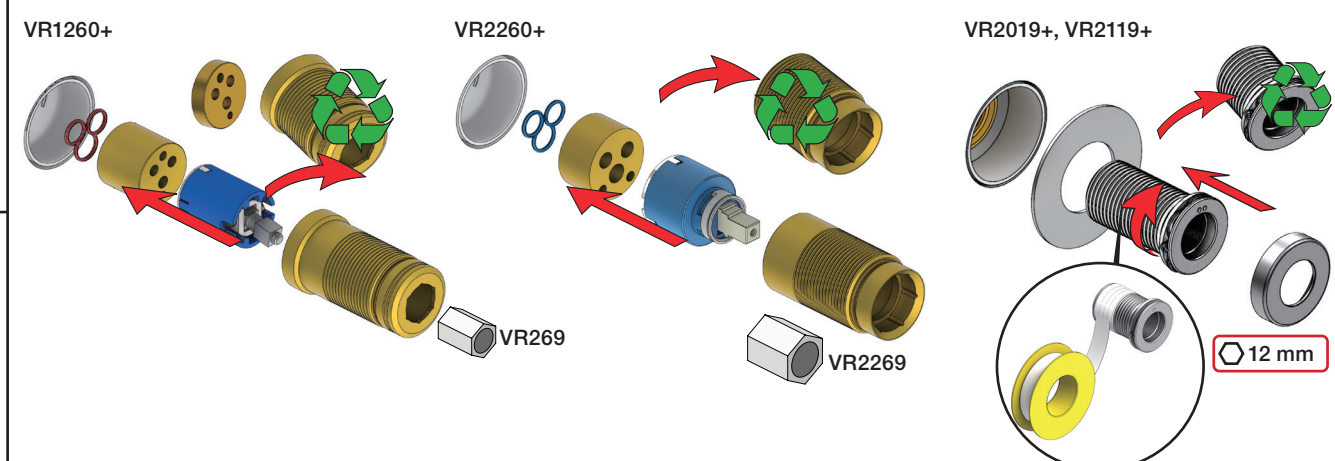


| X | VR1260 + VR1400 + VR2019 |
|------------|--------------------------|
| 40 - 52 mm | Std. |
| 30 - 40 mm | +10 |
| 20 - 30 mm | +20 |
| 10 - 20 mm | +30 |
| 0 - 10 mm | +40 |
| -10 - 0 mm | +50 |

| X | VR2260 + VR1400 + VR2019 |
|-------------|--------------------------|
| 35 - 47 mm | Std. |
| 25 - 35 mm | +10 |
| 15 - 25 mm | +20 |
| 5 - 15 mm | +30 |
| -5 - 5 mm | +40 |
| -15 - -5 mm | +50 |

Fitting of extension
 Montage von verlängerung
 Monterings af forlængerdele

Montering av förlängning
 Montage van de verlengstukken
 Montage des rallonges





2x13 mm Lightweight wall
 Leichtwand
 Let væg

Lätta konstruktion
 Holle wandconstructie
 Construction légère

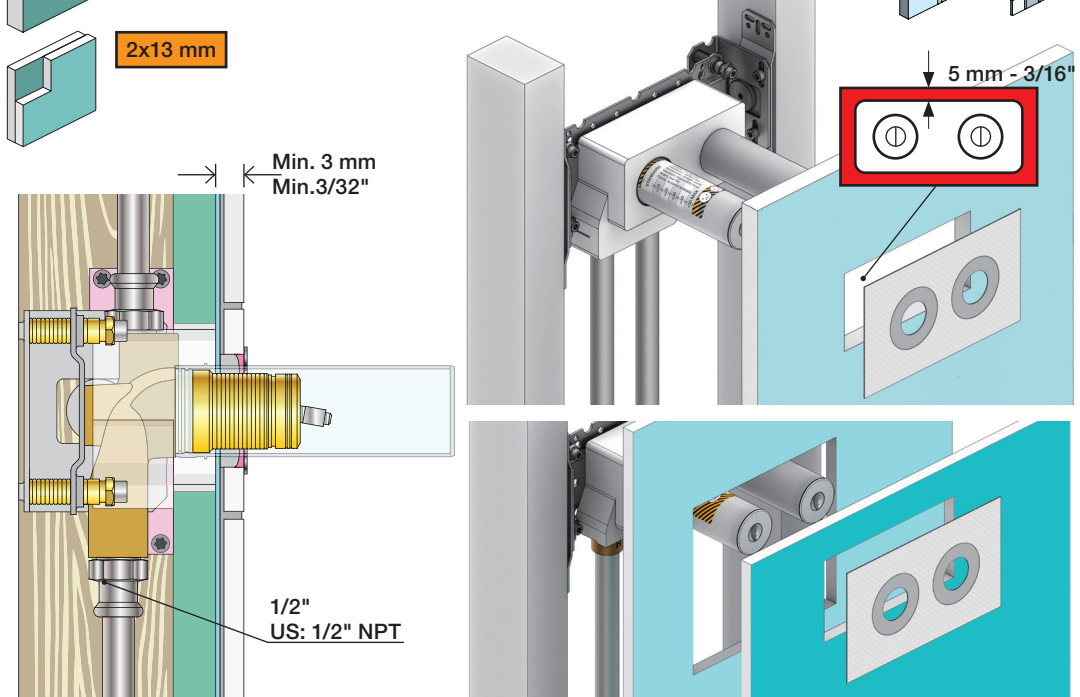


1x15 mm
1x18 mm
1x20 mm

2x13 mm

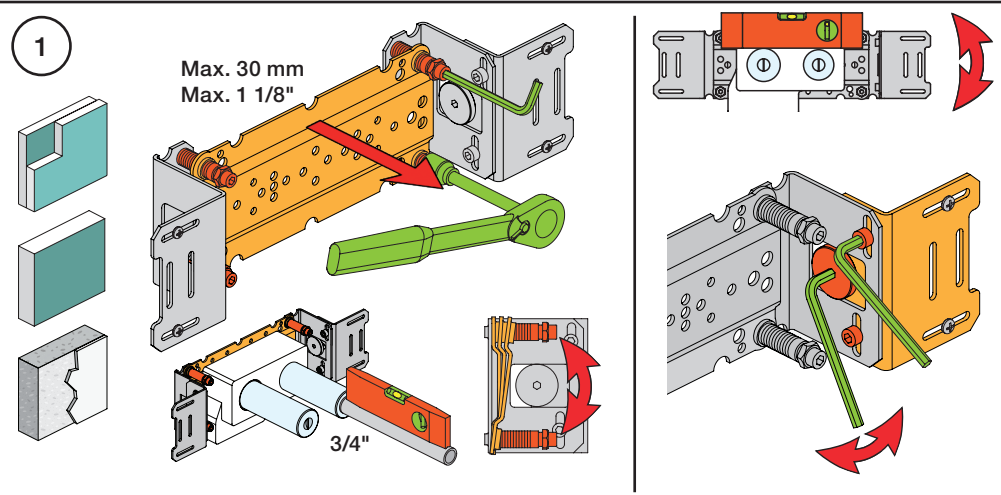
Lightweight wall
 Leichtwand
 Let væg

Lätta konstruktion
 Holle wandconstructie
 Construction légère



Masonry
 Mauerwerk
 Murværk

Murverk
 Massive wand
 Mur Plein



1

Max. 30 mm
 Max. 1 1/8"

2

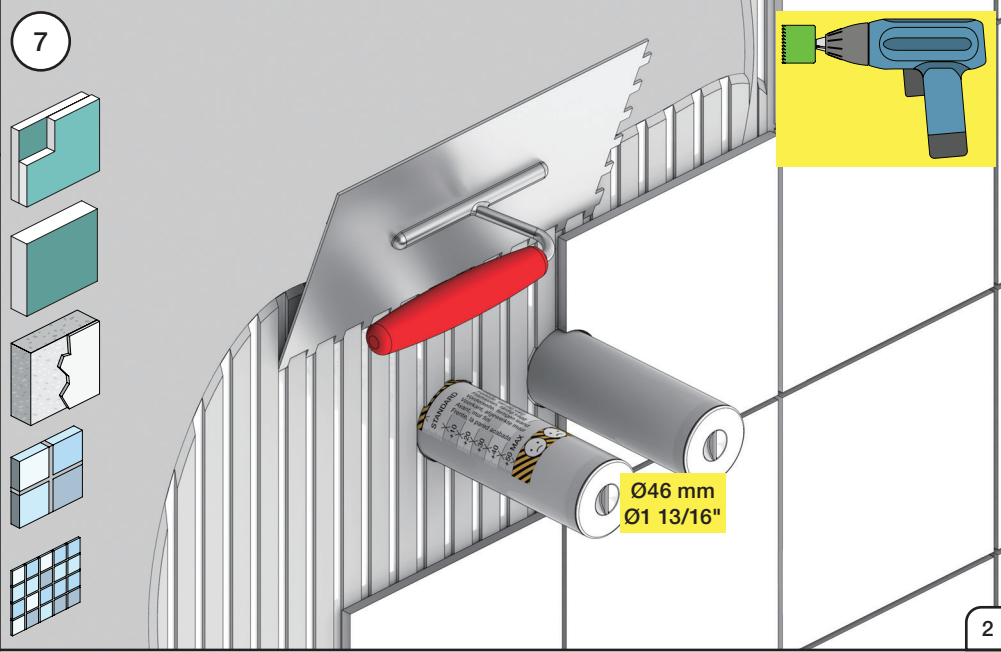
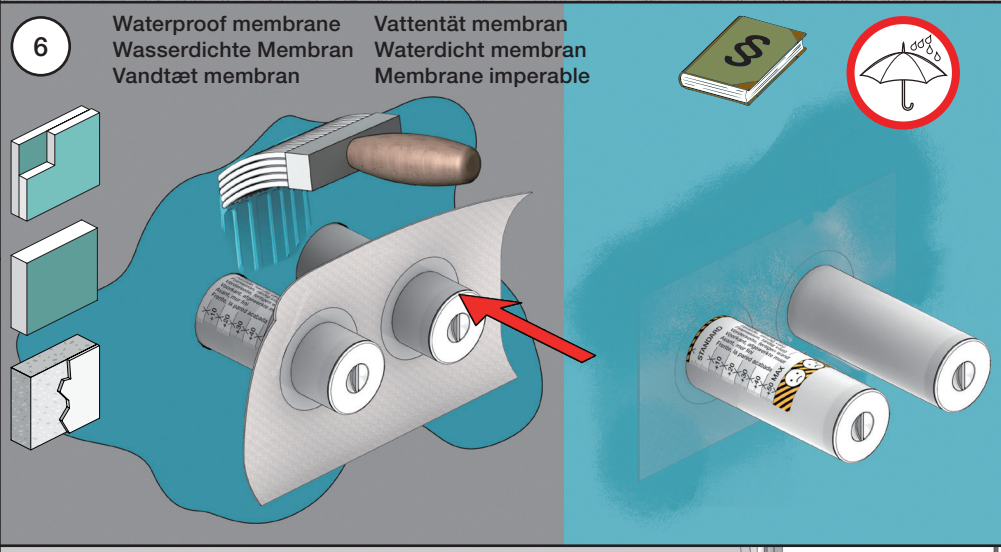
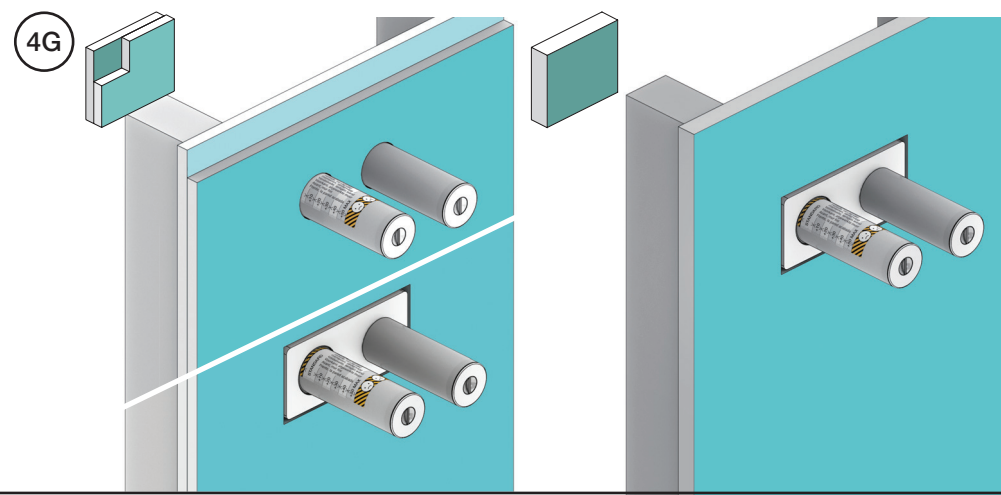
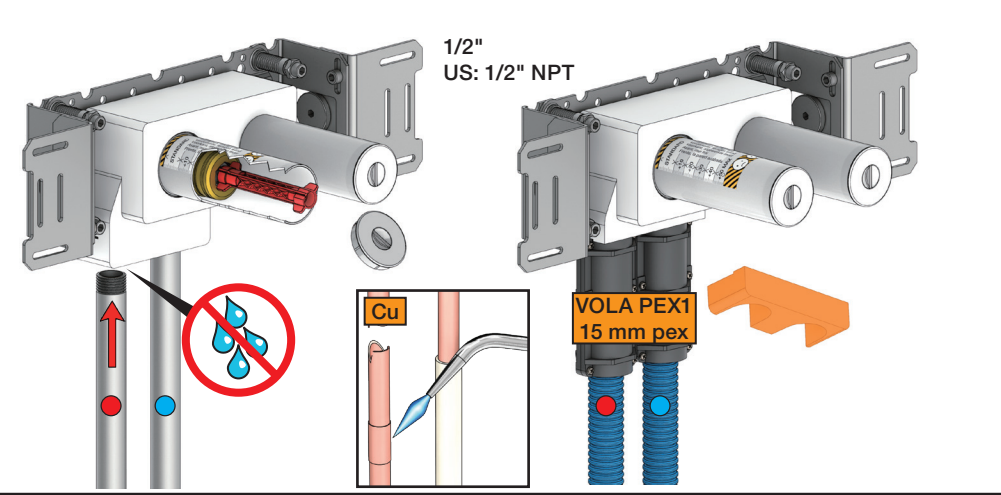
Test Pressure
 Prüfdruck
 testtryk
 Test tryck
 Test druk
 test de pression

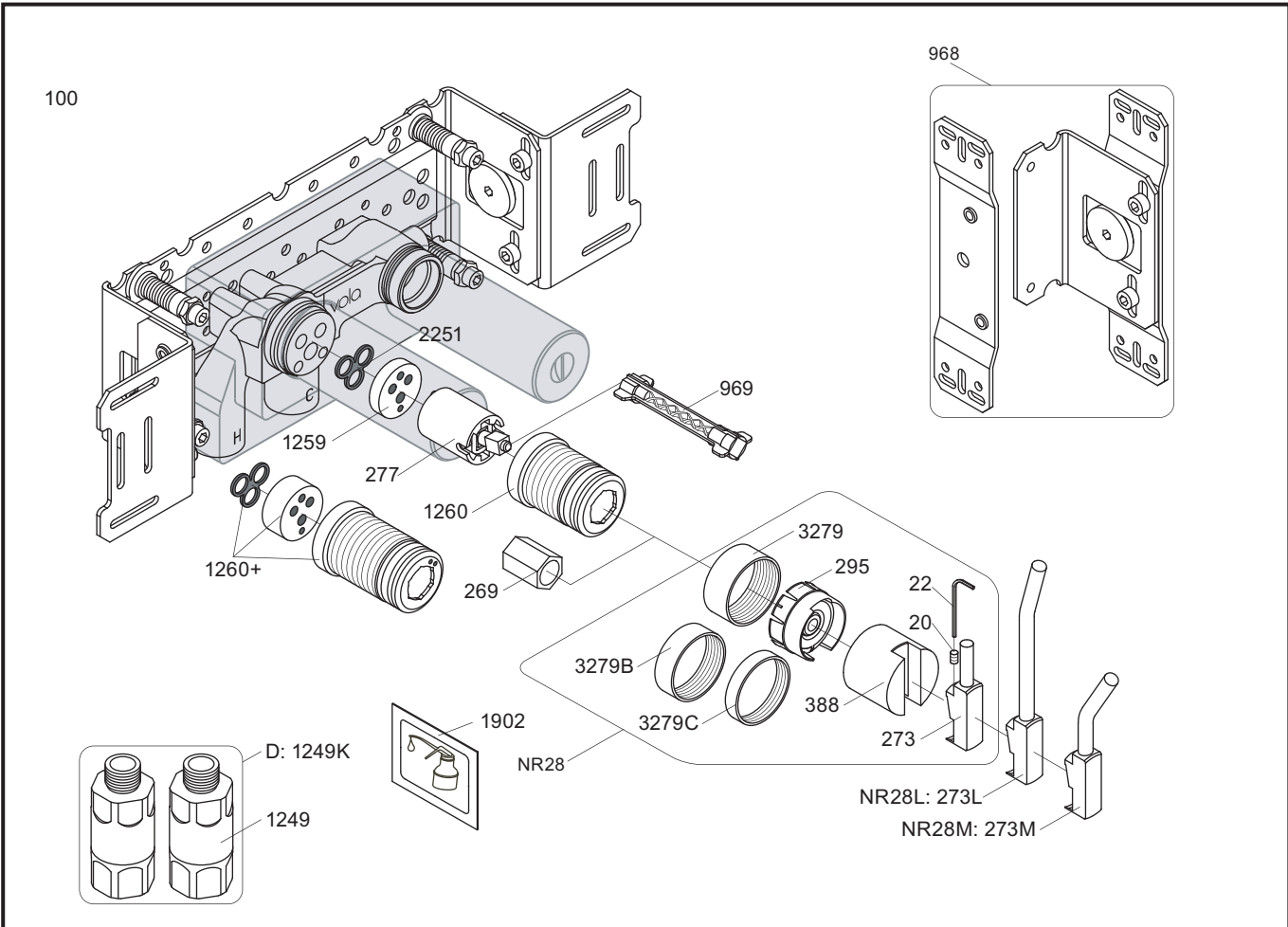
Check the local legislation.
 Bitte die örtlichen Vorschriften überprüfen.
 Tjek de lokale regler.
 Kontrollera lokala föreskrifter.
 Nazitten lokale regelgeving.
 Vérifiez la législation locale.

1. MAX. 16 Bar
 232 Psi

2. MAX. 4 Bar
 58 Psi

! Water - Wasser - Vand - Vatten - Water - Leau !
! MAX 1 Minute - Minut - Minuut !





NR28: VR20, VR22, VR269, VR273, VR295, VR388, VR3279, VR3279B, VR3279C
 VR277K: VR22, VR269, VR277
 VR1260: VR1259, VR1260, VR2251

| | | | |
|------------------------|-------------------------|-------------------------|------------------------|
| <p>100</p> <p>2927</p> | <p>100X</p> <p>2927</p> | <p>200V</p> <p>2928</p> | <p>300</p> <p>2927</p> |
| <p>3002</p> | <p>3003K</p> | <p>3003</p> | <p>3002</p> |
| <p>3001, 001</p> | <p>3001, 001</p> | <p>3001</p> | <p>3001, 001</p> |



vola
 Lunavej 2
 DK-8700 Horsens
 Tlf : + 45 7023 5500
 sales@vola.com
 www.vola.com

VOLA 100
 100X, 200V, 300

Date
 Apr. 21

Rev.
 6

Sheet
 SB 1.2