

## Sink GK 1403 000

Sinks

Code: 1403 000



### DETAILS

Finish Foster brushed

---

Material AISI 304 stainless steel

---

Texture Satin

---

Base 60 cm

---

Edge/Installation Type Flush-mount | Top-mount

---

Dimensions 580x480 mm

---

Standard fittings Fixing hooks, gasket, drain, overflow and siphon, boxed packing

---

Mixer holes 2 standard holes

---

Built-in hole View technical data sheet (for all Flush-mount / Top-mount models and Under-mount models)

---

|                 |                                    |
|-----------------|------------------------------------|
| Drainer         | No                                 |
| Width           | 58 cm                              |
| Bowl dimension  | 450x400mm                          |
| Number of bowls | 1 bowl                             |
| Waste fitting   | Drain with automatic control SPACE |

## FEATURES

|                         |  |
|-------------------------|--|
| Automatic waste fitting | The waste-fitting with round remote knob is supplied; a practical accessory which makes it unnecessary to get wet in order to drain the water from the bowl.   |
| Diamond-shape bottom    | The draining of water is an important feature in a sink, and it's always taken good care of in Foster products. In the bent-welded sinks, which would have a flat bottom, the proper draining is guaranteed by the elegant beveling, which helps the water flow. |
| Double mixer hole       | The large tap counter is already fitted with a series of 2 tap holes. In the second hole it is possible to install the remote control of the automatic drain or, alternatively, a practical soap dispenser.  |
| High thickness          | 1mm thick steel. A significant thickness, which guarantees the maximum sturdiness and durability.  |
| Inclined recess         | A deep and inclined recess houses the burners and grigs, allowing to create a single work surface. The inclination also makes it extremely easy to clean the edges.  |
| Perimetral overflow     | The overflow is always a security on the Foster sinks that prevents the overflow of water in case of oversights. The perimeter drain solution improves aesthetics thanks to its square and essential shape.  |
| Save space system       | Drain and siphon are designed to leave as much space as possible in the under-sink area, more and more useful today for theseparate waste collection systems.  |

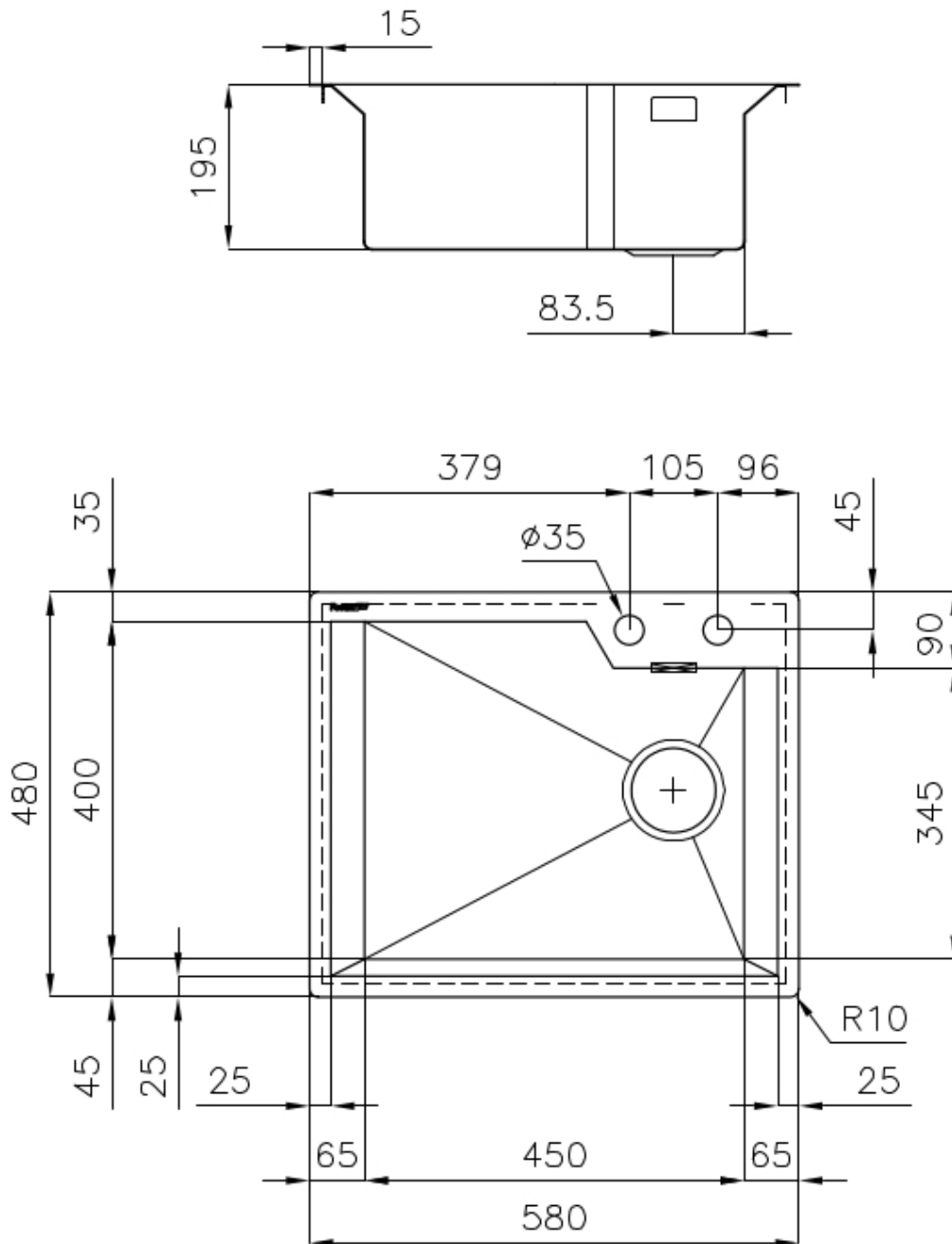
## Space waste fitting

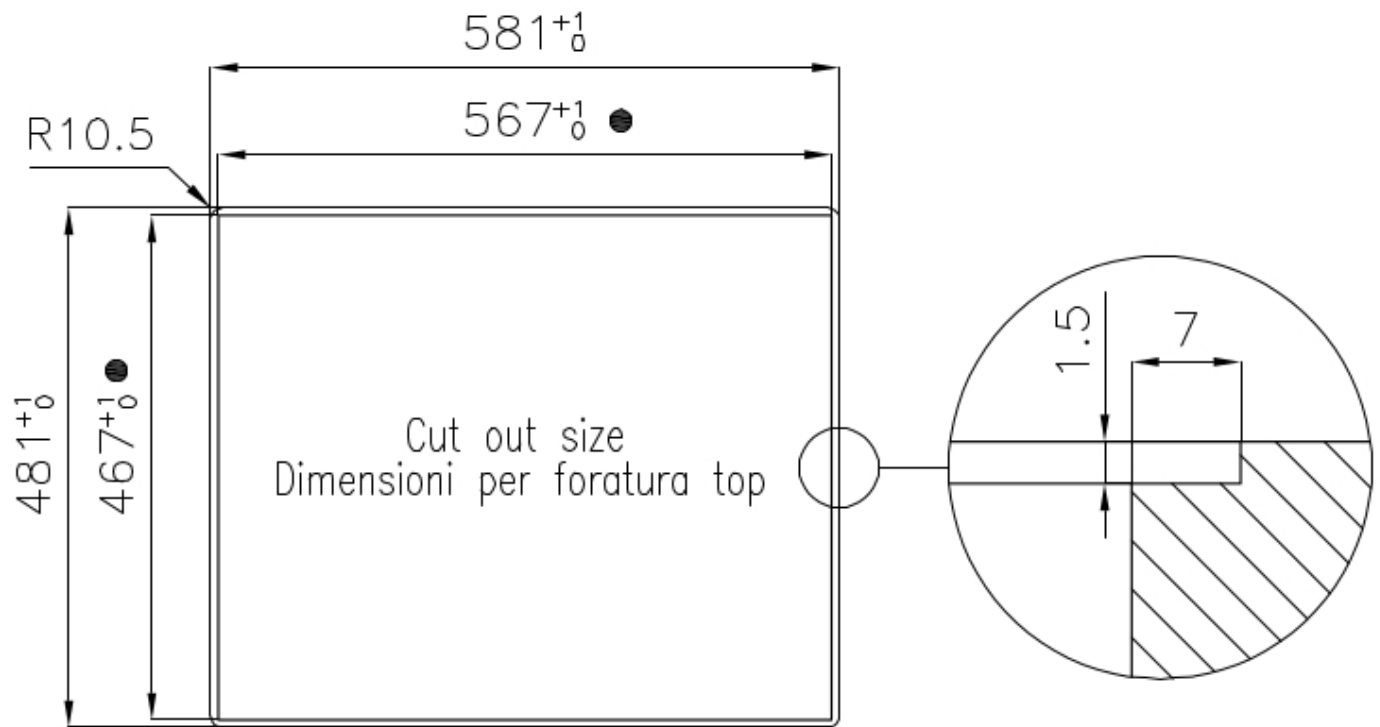
The elegant SPACE steel cap closes the drain and leaves no visible residues collected in the basket below. Space also has a small footprint and allows the optimal use of the under-sink compartment.

## Squared bowls - 0/9 radius

The square bowls of Foster have perfectly squared vertical edges, while those on the bottom have a small radius of 9 mm that facilitates cleaning operations.

## TECHNICAL DATA





- Built-in cut out for FTS – Foratura per installazione FTS

## GALLERY



## EQUIPMENT



Space automatic waste fitting  
8407 108

## OPTIONAL ACCESSORIES



Graters kit with ring-holder and food collection tray 8159 101



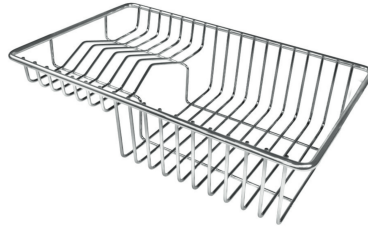
HPDE twin chopping board 8644 100



Iroko-wood sliding chopping board 8656 001



Stainless steel perforated tray 8151 000



Stainless steel plate rack 8100 303

## RECOMMENDED PAIRINGS



Mixer Tap GK 8488 000