



TECHNICAL DATA

Order no.	82495.8
Certified to	EN 997, EN 33
Specification	Washdown for 5/3-l-flush Charge 000 – 2 fixing holes, without lateral holes
Special specification	Charge 204 – 4 fixing holes, without lateral holes Charge 231 – 2 fixing holes, with lateral holes
Outlet	horizontal VARIO, vertical 70 - 305 mm
Weight	24,0 kg
Accessories excl.	Charge 000/204 – Cistern, order no. 82695.1, 82695.2 Charge 231 – Cistern, order no. 82695.3, 82695.5 Seat, order no. 89295.0 Seat and cover, order no. 89195.0, 89295.1, 89395.2 Seat and cover with automatic lowering system, order no. 89195.1, 89395.8
Mounting acc. incl.	Charge 000/231 – 1x Fixing set, order no. 89175.7 Charge 204 – 2x Fixing set, order no. 89175.7

Mounting acc. excl.	for VARIO-outlet 70 - 205 mm LAUFEN-connection, order no. 89009.2 for VARIO-outlet 220 - 305 mm only LAUFEN-connection, order no. 89902.5
Colours	see colour table

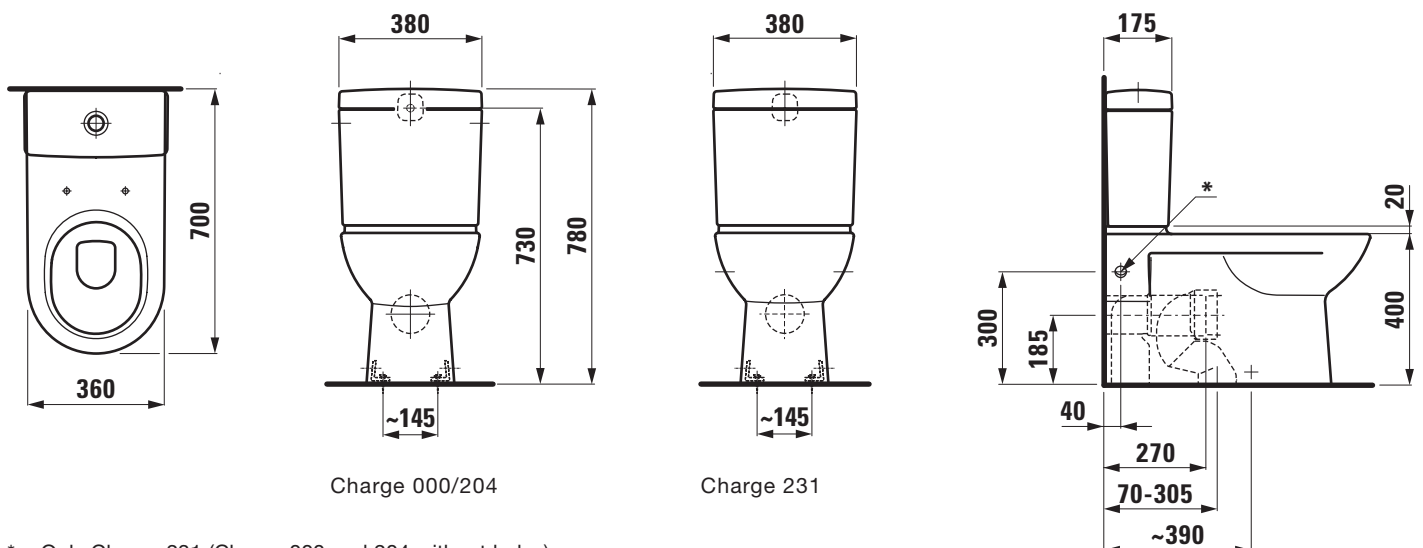
SPECIFICATION TEXT

Floorstanding WC pan washdown LAUFEN PRO, sanitary ceramic, for cistern, EN 997, EN 33, 5/3-l-flush, dimensions 360 x 700 x 420 mm outlet horizontal, VARIO vertical 70 - 305 mm back to wall, concealed fixation, length 700 mm, 2 fixing holes
Special feature: concealed surfaces directing water are fully glazed throughout, vacuum checked

Further options / accessories: Surface refinement LCC (only white), 4 fixing holes, 2 fixing holes and lateral holes, cistern 82695.1, 82695.2, 82695.3, 82695.5, WC seat 89295.0, WC seat and cover 89195.0, 89295.1, 89395.2, WC seat and cover with automatic lowering 89195.1, 89395.8

Order no. 82495.8

TECHNICAL DRAWINGS / S 1 : 20



* = Only Charge 231 (Charge 000 and 204 without holes)